

Loudspeakers

| B | 0 | 0 | K | | D | C | 0 | 4 | | 1 | 9 | 9 | 0 | |

Philips Components



**PHILIPS**



# LOUDSPEAKERS

## CONTENTS

Page

<b>PART 1:</b>	<b>USER GUIDE</b>	
	<b>I. Introduction</b> .....	5
	<b>II. Choice of Type</b> .....	5
	<b>III. Terms and Conditions</b> .....	5
	<b>1. General Conditions</b> .....	5
	<b>2. Measurements and definitions according to specification</b> .....	5
	a) Specification, Loudspeaker Unmounted .....	5
	b) Specification, Loudspeaker mounted .....	7
	c) Power Specification .....	7
	d) Frequency Response Curve .....	7
	e) General Specification .....	8
	<b>3. Noise signal for life tests</b> .....	8
	<b>4. Standard baffle</b> .....	9
<b>PART 2:</b>	<b>SELECTION GUIDE</b> .....	10
<b>PART 3:</b>	<b>DATASHEETS</b>	
	<b>1. Tweeters</b>	
	Dome tweeters .....	33
	Cone tweeters .....	90
	Ribbon tweeters .....	105
	<b>2. Squawkers</b>	
	Dome squawkers .....	108
	Cone squawkers .....	111
	<b>3. Woofers</b>	
	Oval woofers .....	117
	Round woofers .....	126
	<b>4. Speech</b> .....	189
	<b>5. Full range</b>	
	Full range oval .....	204
	Full range round .....	414
<b>PART 4:</b>	<b>CONVERSION TABLES</b>	
	<b>1. 12 NC to type number</b> .....	638
	<b>2. Type number to 12 NC</b> .....	645



**LOUDSPEAKERS  
USER GUIDE**



**USER GUIDE****I. Introduction**

In this handbook the data sheets have been presented in a general format. The general format is:

**APPLICATION****DESCRIPTION****TECHNICAL DATA****MECHANICAL DATA****FREQUENCY RESPONSE CURVE**

All dimensions will be in mm unless otherwise indicated. Frequency response curves display the sound pressure as a function of frequency.

**II. Choice of type**

When choosing a loudspeaker for electro-acoustic equipment, it is essential that the correct type is chosen, in order to attain adequate acoustic results. The factors which should be considered are:

- shape, size and attachment, with reference to available space
- quality and sensitivity, a compromise between fidelity and price
- frequency response characteristics in relation to the application
- impedance and power handling capacity, which should be adapted to the output stage of the equipment
- appearance and finish

In order to assist in selection this handbook is divided into specific loudspeaker categories (see selection guide).

Only basic loudspeaker types, out of a larger program are included in this handbook. Variations on mechanical and acoustic parts are possible on some of the loudspeaker types, e.g.:

- voice coil impedance
- finishing of metal baskets
- type and size of terminals
- sealing gaskets for front or rear side
- colour of cone body
- material of cone suspension
- type colour and size of dustcaps

Please direct any questions to the product manager for loudspeakers at your national sales organization.

Some applications impose restrictions on the magnetic stray field of the loudspeaker, e.g. colour TV sets. If a loudspeaker has a special arrangement in order to reduce the stray field, it is indicated in the 'Selection Guide' in the following manner:

**OPEN** magnet system without any measure against magnetic stray field (used in general audio applications)

**SCRN** magnet system with screening pot around the magnet (for reduction of stray field)

**COMP** magnet system with screening pot and compensation magnet (for elimination of stray field)

**POT** magnet system with slug-magnet inside a metal pot.

**III. TERMS AND CONDITIONS****1. General conditions**

The following conditions are considered standard for measurements and test under normal climatic circumstances:

- temperature, 15 °C to 35 °C
- atmospheric pressure, 860 to 1060 mbars
- relative humidity, 45% to 75%

**2. Measurements and definitions according to****Specification**

Definitions and test methods are based on IEC 268-5, where necessary supplemented and or clarified by separate instructions. This section is a survey of specification items.

**a) Specification, loudspeaker unmounted**

**Rated impedance:** the resistance value used to calculate voltages relative to power.

**Voice coil resistance:** DC resistance of voice coil measured with an ohmmeter.

**Resonance frequency:** the frequency at which the modulus of the electric impedance reaches its' first maximum in a rising frequency scale. Resonance frequency is measured at a constant voltage, with 1 W power when maximum noise power is greater than 1 W, and 100 mW (both values are related to nominal impedance) when the maximum noise power is less than or equal to 1 W.

**Sweep voltage:** the voltage applied to the loudspeaker when performing the sweep test, applying a swept sine-wave to the loudspeaker in order to detect audible deviations in the response. For tweeters and mid-range loudspeakers the sweep range will be limited by a filter network.

**Magnetic flux density:** the mean induction in the airgap, measured over the height of the airgap minus 1 mm.

**Magnetic stray field:** the magnetic field generated by the loudspeaker magnet at a distance of 70 mm from the loudspeaker axis, in a plane which crosses the bottom of the main magnet. The strayfield is measured with a hall generator, once parallel and once perpendicular to this plane. The highest value is specified.

**Loudspeaker mass:** weight of the loudspeaker.

Note. The following factors are only specified for hi-fi woofers:

Electro-mechanical force factor:  
calculated by,  $B \times l = F/I$

$B$  = mean magnetic flux in the airgap over the total length of the voice coil.

$l$  = length of the voice coil wire.

$F$  = measured at a DC current ( $I$ ) of 1 A in the mechanically neutral position of the voice coil and at such a polarity that force  $F$  moves the cone inwards to the frame.

**Effective piston area:** area of the cone including half the rim.

**Total moving mass:** the value is given inclusive airload along both sides of the cone. Airload as part of the moving mass; 7" = 0.625 g, 8" = 1.125 g, 10" = 2.5 g, 12" = 5 g.

**Equivalent volume:** the volume which has the same acoustic compliance as the loudspeaker. The equivalent volume, together with the Q-factor and the resonance frequency determine the low frequency response of the loudspeaker.

**Electrical quality factor:** ratio of the reactive part of the total impedance of the loudspeaker, measured in its resonance frequency against the electromagnetic resistance,

$$\frac{(B \times l)^2}{R_g + R_e}$$

The electrical quality factor is derived from the impedance curve.

**Mechanical quality factor:** ratio of the reactive part of the total impedance of the loudspeaker, measured in its resonance frequency, against the resistive part and excluding the resistance factor,

$$\frac{(B \times l)^2}{R_g + R_e}$$

The mechanical quality factor is derived from the impedance curve,

$$Q_m = \frac{\omega_0 \cdot M_{tot}}{R_m + R_a + R_b}$$

Total impedance =  $R_{tot} + j \cdot \omega_0 M_{tot}$

$M_{tot}$  =  $M_m + M_a + M_b$  measured at a resonance frequency where  $M_m$  = total moving mass,  $M_a$  = airload in front of the loudspeaker (reactive part of radiation impedance),  $M_b$  = airload (in the box) at the back of the loudspeaker,

$$R_{tot} = \frac{(B \times l)^2}{R_g + R_e} + R_m + R_e + R_b$$

where  $R_m$  = resistance due to losses in the suspension of the loudspeaker,  $R_a$  = resistive part of the radiation impedance in front of the loudspeaker,  $R_b$  = resistive part of the radiation impedance at the back of the loudspeaker,  $R_g$  = resistance of the amplifier and  $R_e$  = DC resistance of the voice coil.



**Total quality factor:**

$$\frac{1}{Q_t} = \frac{1}{Q_m} = \frac{1}{Q_e}$$

**b) Specification, loudspeaker mounted**

**Mounting conditions:** woofers should be mounted in an enclosed mounting with an inner volume according to specification. Tweeters, mid-range and full-range loudspeakers should be mounted on a standard baffle.

**Characteristic sensitivity:** the mean sound pressure level within the rated frequency range, measured on an axis of the loudspeaker at a distance of 1 m and at 1 W power for loudspeakers with a maximum noise power of more than 1 W, and 100 mW (both values are related to nominal impedance) for loudspeakers with a maximum noise power less than or equal to 1 W. The characteristic sensitivity can be measured by applying pink noise to the loudspeaker, limited to the rated frequency range (using a band pass filter with slopes of at least 24 dB/oct), or can be derived from the frequency response curve.

**Rated frequency range:** if only one figure is given in the specification, it is the highest value and resonance frequency is the lowest. For loudspeakers used in more-way systems, the lowest figure is minimum frequency and the highest is maximum frequency for dividing networks.

**Resonance frequency:** the frequency at which the modulus of the electric impedance reaches its first maximum in a rising frequency scale. Resonance frequency is measured at constant voltage with a power of 1 W for loudspeakers with a maximum noise power of more than 1 W, and 100 mW (both values are related to the nominal impedance) for loudspeakers with a maximum noise power of less than or equal to 1 W.

**Sweep voltage:** the voltage applied to the loudspeaker when performing the sweep test. The sweep range will be limited by a filter network for tweeters and mid-range loudspeakers. The value is also valid as the maximum sinusoidal voltage which the loudspeaker can handle, for 1 minute maximum, without causing permanent damage.

**c) Power specifications****Measuring conditions:**

mounting: - according to specification  
 filter: - for tweeters and midrange loudspeakers the frequency range of the test signal will be limited with a filter network. The crossover frequency and the components of this network will be given in the specification.

**Long term maximum input power ( $P_{max}$ ):** the maximum power (related to the nominal impedance) that the loudspeaker can handle, for a period of 1 minute, and without causing permanent damage. The test will be repeated 10 times with intervals of 2 minutes between the application of the signal. The signal is a noise signal with frequency distribution according to Fig. 1.

**Short term maximum input power:** the maximum power (related to nominal impedance) which the loudspeaker can handle, for a period of 1 second, and without causing permanent damage. The test will be repeated 60 times with intervals of 1 minute between the application of the signal.

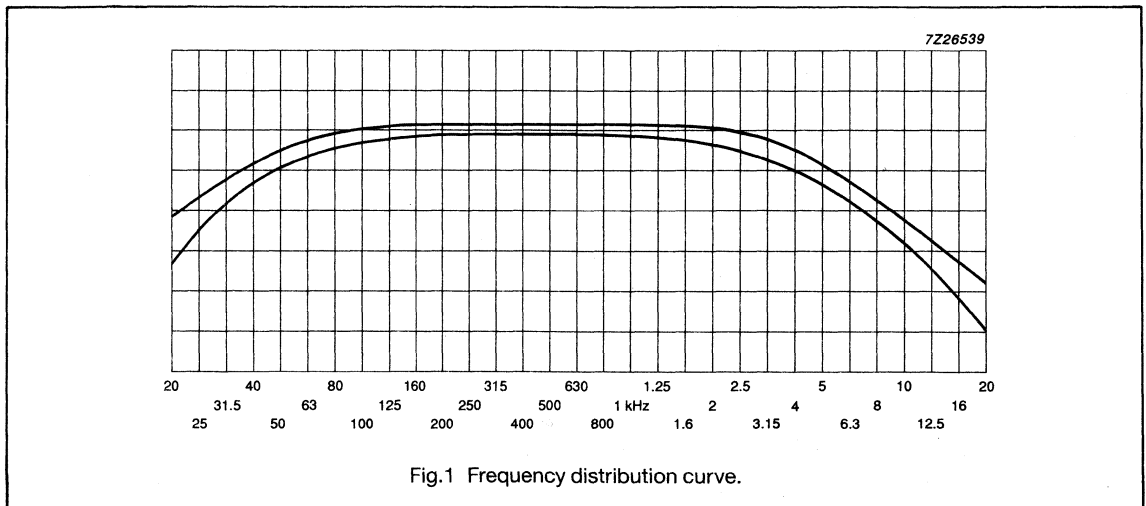
**Maximum noise power:** the maximum power (related to the nominal impedance) that the loudspeaker can handle for a period of 100 hours if the loudspeaker is loaded continuously and 300 hours if it is loaded for 1 minute with 2 minute intervals between application of the signal, and without causing permanent damage. The test cycle (continuous or intermittent) will be given in the specification. The signal is a noise signal with frequency distribution according to Fig. 1.

**d) Frequency response curve:** the sound pressure level as a function of frequency, measured under free field conditions on an axis to the loudspeaker at a distance of 1 m at a power of 1 W for loudspeakers with a maximum noise power of greater than 1 W and 100 mW for loudspeakers with a maximum noise power of less than or equal to 1 W. The frequency response curve can be measured with sinusoidal or band noise signals.

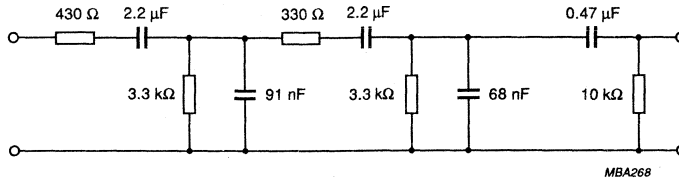
**e) General specification**

**Magnetization orientation:** the magnet system should be magnetized so that the top of the core is south for systems with ring magnet and north for systems with core magnet. If the condition is not met it will be mentioned in the specification.

**Polarity:** the polarity is such, that in case of application of a DC voltage to the positive terminal (marked with a red dot or a +) the cone will move out of the frame.

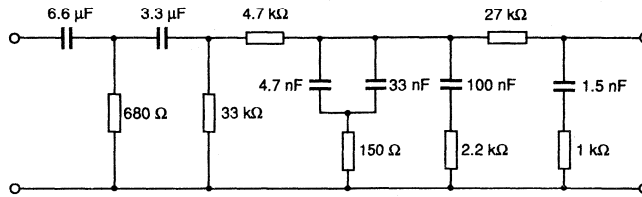
**3. Noise signal for life tests**

Filter network



MBA268

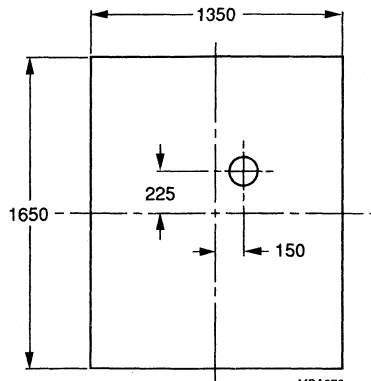
Fig.2 Pink noise input.



MBA269

Fig.3 White noise input.

4. Standard baffle



MBA270

Fig.4 Baffle dimensions (mm).

## Loudspeakers

## Selection guide

## GUIDE TO SELECTION GUIDE

Page

<b>TWEETERS</b>	Dome versions		11
	Cone versions		12
	Ribbon versions		12
<b>SQUAWKERS</b>	Dome versions		12
	Cone versions		12
<b>WOOFERS</b>	Oval types	3 x 6	13
		3 x 8	13
	Round types	4	13
		5 1/4	13
		7	13
		8	13
		10	14
12	14		
<b>SPEECH</b>		1 1/3	14
		1 1/2	14
		2	15
		2 1/2	15
<b>FULL RANGE</b>	Oval types	2 x 6	16
		3 x 5/3 x 6	16
		3.5 x 6/	20
		4 x 6/	21
	Round types	3/4/5	24
		5 1/4/7/8	27
		12	32

## Loudspeakers

## Selection guide

## Dome tweeters

MAGNET/ CORE DIAMETER	MAGNET SYSTEM	BASIC TYPE NO.	IMPEDANCE $\Omega$	RESONANCE FREQ.	POWER HANDLING CAPACITY	DIMENSIONS (mm)		CATALOGUE NUMBER	PAGE
						FLANGE	MOUNT. DEPTH		
30/12	open	AD 00200/T4FF	4	*	15**	42	15.4	2422 257 43901	33
		AD 00201/T4FF	4	*	15**	42	18.4	2422 257 43907	36
		AD 00202/T4FF	4	*	15**	51x51	18.4	2422 257 43911	39
36/12	open	AD 00300/T4FF	4	*	15**	44	15.5	2422 257 22301	42
		AD 00301/T4FF	4	*	15**	44	19	2422 257 22303	45
		AD 00302/T4FF	4	*	15**	51x51	19	2422 257 22305	48
45/18	open	AD 00845/T	4/8	1300	3	90	21	2422 257 43803	51
								2422 257 43804	51
53/25	comp	AD 11802/T8	8	1100	4	96x96	37	2422 257 43316	54
60/18	open	00 00401/T4	4	950	4	95x95	25	2404 257 43606	57
60/25	open	AD 0140/T	4/8	1200	4	94	16	2422 257 33201	60
		AD 11400/T	4/8	1500	4	82x82	24	2422 257 33202	60
			4/8	1050	6	98	23	2422 257 43402	63
			4/8	1050	6	98	23	2422 257 43416	66
								2422 257 43417	66
75/25	open	00 11601/T4	4	950	6	95x95	27	2404 257 43506	69
		AD 0162/T	4/8	1000	4	94	24	2422 257 33311	72
		AD 0163/T	4/8	1300	4	94	24	2422 257 33312	72
		AD 11600/T	4/8	1300	4	96x96	30	2422 257 33401	75
		AD 11610/T	4/8	1300	4	96x96	30	2422 257 33402	75
			4/8	1300	4	96x96	30	2422 257 43501	78
			4/8	1300	4	96x96	30	2422 257 43502	78
RE181)	pot	AD 00972/T4	4	2100	1	35	11	2404 256 32502	84
TIC182)	pot	00 00960/T8	8	1700	1	49	24	2404 256 32404	87

\* resonance frequency completely damped due to use of ferrofluid

\*\* capacitor of 3.3  $\mu$ F in series with loudspeaker

1) RE = rare earth

2) TIC = ticonal



## Loudspeakers

## Selection guide

Woofers (oval)

FRAME SIZE (IN)	MAGNET/CORE DIAMETER	MAGNET SYSTEM	BASIC TYPE NO.	IMPEDANCE $\Omega$	RESONANCE FREQ.	POWER HANDLING CAPACITY	DIMENSIONS (mm)		CATALOGUE NUMBER	PAGE
							FLANGE	MOUNT. DEPTH		
3x6	45/18	comp	AD 36900/W	4/8	75	10	160x80	54	2422 257 29005	117
	53/18	comp	AD 36510/W4	4	68	15	160x80	56	2422 257 29006	117
	53/18	comp	AD 38510/W8A	8	70	22	204x81.6	58	2422 257 29001	120
<b>Woofers (round)</b>										
4	45/18	comp	AD 44900/W	4/8	80	10	102x102	52.6	2422 257 44205 2422 257 44206	126 126
5.25	45/18	comp	AD 51900/W8M	8	72	20	130x130	57.5	2422 257 35918	129
7	53/18	open	00 70802/W4	4	90	30	166	58	2404 257 27812	132
			AD 70803/W8	8	65	28	166	58	2422 257 27808	135
			00 70805/W8	8	74	25	166	58	2404 257 27904	138
8	60/18	open	00 70400/W8	8	74	30	166	68.5	2422 257 27202	141
			AD 70604/W	4/8	48	40	166	60	2422 257 47113 2422 257 47114	144 144
			AD 70654/W	4/8	48	50	166	62	2422 257 47215 2422 257 47216	147 147
8	53/18	open	00 80800/W	4/8	53	25	204	70	2422 257 38805 2422 257 38806	150 150
			00 80400/W4	4	52	25	204	73	2422 257 28203	153
			AD 80622/W	4/8	42	50	204	81	2422 257 48403 2422 257 48404	156 156
8	75/25	open	AD 80623/W4	4	46	60	204	81	2422 257 48405	159
			AD 80626/W	4/8	42	60	204	81	2422 257 48203	162
			AD 80627/W4	4	46	65	204	81	2422 257 48204 2422 257 48407	162 165

# Loudspeakers

# Selection guide

Woofers (round) continued

FRAME SIZE (IN)	MAGNET/CORE DIAMETER	MAGNET SYSTEM	BASIC TYPE NO.	IMPEDANCE $\Omega$	RESONANCE FREQ.	POWER HANDLING CAPACITY	DIMENSIONS (mm)		CATALOGUE NUMBER	PAGE
							FLANGE	MOUNT. DEPTH		
8	90/25	open	AD 80652/W	4/8	39	50	204	83	2422 257 48511	168
		open	OC 80667/W	4/8	42	70	204	83	2422 257 48512	168
10	90/35	open	AD 10672/W8	8	27	60	261	100	2422 257 31704	174
	121/50	open	AD 10202/W8	8	26	80	261	107	2422 257 31807	177
12	90/35	open	AD 12672/W8	8	26	60	311	106	2422 257 31404	180
	121/50	open	AD 12202/W8	8	24	80	311	110	2422 257 31508	183
	134/50	open	AD 12252/W8	8	27	100	311	112	2422 257 61004	186
<b>Loudspeakers for speech reproduction</b>										
1 1/3	RE/14	pot	AD 01980/Y	8/15/25	600	0.3	34	5	2403 256 12503 2403 256 12502 2403 256 12501	189 189 189
1 1/2	RE/14	pot	AD 01985/Y	8/15/25	600	0.3	38	5	2403 256 12403 2403 256 12402 2403 256 12401	192 192 192
1 1/2	26/10	open	WD 01621/Y.L	4/8/15/25/50/ 110/150	440	0.3	38	14	2403 255 21001  2403 255 21002 2403 255 21003 2403 255 21004 2403 255 21005 2403 255 21006 2403 255 21007	195  195 195 195 195 195



## Loudspeakers

## Selection guide

Loudspeakers for speech reproduction (continued)

FRAME SIZE (IN)	MAGNET/ CORE DIAMETER	MAGNET SYSTEM	BASIC TYPE NO.	IMPEDANCE $\Omega$	RESONANCE FREQ.	POWER HANDLING CAPACITY	DIMENSIONS (mm)		CATALOGUE NUMBER	PAGE
							FLANGE	MOUNT. DEPTH		
2	26/10	open	WD 20621/Y.L	4/8/15/25/50/ 110/150	390	0.3	50	15.6	2403 255 31001	198
									2403 255 31002	198
									2403 255 31003	198
									2403 255 31004	198
									2403 255 31005	198
									2403 255 31006	198
2 1/2	28/10*	open	AD 2071/Z	4/8/15/25/50/ 110/150/300	360	1	64	19.7	2403 257 23101	201
									2403 257 23102	201
									2403 257 23103	201
									2403 257 23104	201
									2403 257 23105	201
									2403 257 23106	201
								2403 257 23107	201	
								2403 257 23108	201	

\*square magnet

## Loudspeakers

## Selection guide

Full range (oval)

FRAME SIZE (IN)	MAGNET/CORE DIAMETER	MAGNET SYSTEM	BASIC TYPE NO.	IMPEDANCE $\Omega$	RESONANCE FREQ.	POWER HANDLING CAPACITY	DIMENSIONS (mm)		CATALOGUE NUMBER	PAGE
							FLANGE	MOUNT-DEPTH		
2x6	36/14	comp	AD 26320/X8 AD 26321/X15 AD 26952/X8**	8 15 8	155 190 155	5 3 5	160x57 160x57 160x57	40.5 40.5 44	2422 257 29416	204
									2422 257 29417	207
									2422 257 29316	-
3x5	28/10*	open	WD 35720/X  WD 35721/X  WD 35722/X  WD 35725/X  WD 35726/X  WD 35727/X	4/8/15/25  4/8/15/25  4/8/15/25  4/8/15/25  4/8/15/25  4/8/15/25	160  160  160  160  160	3  3  5  5  5	75x130  75x130  75x130  75x130  75x130  75x130	35  35  35  35  35	2403 251 50001	210
									2403 251 50002	210
									2403 251 50003	210
									2403 251 50004	210
									2403 251 51201	213
									2403 251 51202	213
									2403 251 51203	213
									2403 251 51204	213
									2403 251 50101	216
									2403 251 50102	216
									2403 251 50103	216
									2403 251 50104	216
2403 251 50601	219									
2403 251 50602	219									
2403 251 50603	219									
2403 251 50604	219									
2403 251 51501	222									
2403 251 51502	222									
2403 251 51503	222									
2403 251 51504	222									
2403 251 50701	225									
2403 251 50702	225									
2403 251 50703	225									
2403 251 50704	225									

\*square magnet

\*\* released as loose leaf

## Loudspeakers

## Selection guide

FRAME SIZE (IN)	MAGNET/CORE DIAMETER	MAGNET SYSTEM	BASIC TYPE NO.	IMPEDANCE $\Omega$	RESONANCE FREQ.	POWER HANDLING CAPACITY	DIMENSIONS (mm)		CATALOGUE NUMBER	PAGE
							FLANGE	MOUNT. DEPTH		
3x5	28/10*	scrm	WD 35740/X	4/8/15/25	160	2.5	75x130	49	2403 251 50201	228
			WD 35741/X	4/8/15/25	160	2.5	75x130	49	2403 251 50202	228
			WD 35742/X	4/8/15/25	160	2.5	75x130	49	2403 251 50301	234
			WD 35743/X	4/8/15/25	160	2.5	75x130	49	2403 251 50302	234
			WD 35744/X	4/8/15/25	160	3.5	75x130	49	2403 251 50303	234
			WD 35745/X	4/8/15/25	160	3.5	75x130	49	2403 251 50304	234
			WD 35746/X	4/8/15/25	160	3.5	75x130	49	2403 251 50801	237
			WD 35747/X	4/8/15/25	160	3.5	75x130	49	2403 251 50802	237
			WD 35748/X	4/8/15/25	160	3.5	75x130	49	2403 251 50803	237
			WD 35749/X	4/8/15/25	160	3.5	75x130	49	2403 251 50804	237
	28/10*	comp	WD 35760/X	4/8/15/25	160	2.5	75x130	49	2403 251 51601	240
			WD 35761/X	4/8/15/25	160	2.5	75x130	49	2403 251 51602	240
			WD 35762/X	4/8/15/25	160	2.5	75x130	49	2403 251 51603	240
			WD 35763/X	4/8/15/25	160	2.5	75x130	49	2403 251 51604	240
			WD 35764/X	4/8/15/25	160	2.5	75x130	49	2403 251 50901	243
			WD 35765/X	4/8/15/25	160	2.5	75x130	49	2403 251 50902	243
			WD 35766/X	4/8/15/25	160	2.5	75x130	49	2403 251 50903	243
			WD 35767/X	4/8/15/25	160	2.5	75x130	49	2403 251 50904	243
			WD 35768/X	4/8/15/25	160	2.5	75x130	49	2403 251 50401	246
			WD 35769/X	4/8/15/25	160	2.5	75x130	49	2403 251 50402	246

\*square magnet

**Loudspeakers**

**Selection guide**

Full range (oval) continued

FRAME SIZE (IN)	MAGNET/CORE DIAMETER	MAGNET SYSTEM	BASIC TYPE NO.	IMPEDANCE $\Omega$	RESONANCE FREQ.	POWER HANDLING CAPACITY	DIMENSIONS (mm)		CATALOGUE NUMBER	PAGE												
							FLANGE	MOUNT. DEPTH														
3x5	28/10*	comp	WD 35765/X	4/8/15/25	160	3.5	75x130	49	2403 251 51001	255												
									2403 251 51002	255												
									2403 251 51003	255												
									2403 251 51004	255												
									2403 251 51701	258												
									2403 251 51702	258												
									2403 251 51703	258												
									2403 251 51704	258												
									2403 251 51101	261												
									2403 251 51102	261												
3x6	28/10*	open	AD 35850/X4	4	190	3	129x74	37.3	2403 251 51103	261												
									2403 251 51104	261												
									2422 257 24407	264												
									WD 36720/X	4/8/15/25	130	3	80x160	44	2403 251 60001	267						
															2403 251 60002	267						
															2403 251 60003	267						
															2403 251 60004	267						
															WD 36722/X	4/8/15/25	130	3	80x160	44	2403 251 60101	270
																					2403 251 60102	270
																					2403 251 60103	270
2403 251 60104	270																					
WD 36725/X	4/8/15/25	130	5	80x160	44	2403 251 60601	273															
						2403 251 60602	273															
						2403 251 60603	273															
						2403 251 60604	273															
						WD 36727/X	4/8/15/25	130	5	80x160	44	2403 251 60701	276									
												2403 251 60702	276									
												2403 251 60703	276									
												2403 251 60704	276									

\* square magnet

## Loudspeakers

## Selection guide

FRAME SIZE (IN)	MAGNET/CORE DIAMETER	MAGNET SYSTEM	BASIC TYPE NO.	IMPEDANCE $\Omega$	RESONANCE FREQ.	POWER HANDLING CAPACITY	DIMENSIONS (mm)		CATALOGUE NUMBER	PAGE	
							FLANGE	MOUNT. DEPTH			
3x6	28/10*	scrm	WD 36740/X	4/8/15/25	130	2.5	80x160	57	2403 251 60201	279	
			WD 36742/X	4/8/15/25	130	2.5	80x160	57	2403 251 60202	279	
			WD 36745/X	4/8/15/25	130	3.5	80x160	57	2403 251 60301	282	
			WD 36747/X	4/8/15/25	130	3.5	80x160	57	2403 251 60302	282	
			WD 36760/X	4/8/15/25	130	2.5	80x160	57	2403 251 60401	291	
			WD 36762/X	4/8/15/25	130	2.5	80x160	57	2403 251 60402	291	
			WD 36765/X	4/8/15/25	130	3.5	80x160	57	2403 251 60501	294	
			WD 36767/X	4/8/15/25	130	3.5	80x160	57	2403 251 60502	294	
			WD 36769/X	4/8/15/25	130	3.5	80x160	57	2403 251 60503	294	
			WD 36771/X	4/8/15/25	130	3.5	80x160	57	2403 251 60504	294	
			comp	WD 36740/X	4/8/15/25	130	2.5	80x160	57	2403 251 60201	279
				WD 36742/X	4/8/15/25	130	2.5	80x160	57	2403 251 60202	279
				WD 36745/X	4/8/15/25	130	3.5	80x160	57	2403 251 60301	282
				WD 36747/X	4/8/15/25	130	3.5	80x160	57	2403 251 60302	282
				WD 36760/X	4/8/15/25	130	2.5	80x160	57	2403 251 60401	291
				WD 36762/X	4/8/15/25	130	2.5	80x160	57	2403 251 60402	291
				WD 36765/X	4/8/15/25	130	3.5	80x160	57	2403 251 60501	294
				WD 36767/X	4/8/15/25	130	3.5	80x160	57	2403 251 60502	294
				WD 36769/X	4/8/15/25	130	3.5	80x160	57	2403 251 60503	294
				WD 36771/X	4/8/15/25	130	3.5	80x160	57	2403 251 60504	294

\* square magnet

## Loudspeakers

## Selection guide

Full range (oval) continued

FRAME SIZE (IN)	MAGNET/CORE DIAMETER	MAGNET SYSTEM	BASIC TYPE NO.	IMPEDANCE $\Omega$	RESONANCE FREQ.	POWER HANDLING CAPACITY	DIMENSIONS (mm)		CATALOGUE NUMBER	PAGE
							FLANGE	MOUNT. DEPTH		
3x6	45/14	open	WD 36925/X	4/8/15/25	130	6	80x160	48.8	2403 253 60601	303
									2403 253 60602	303
									2403 253 60603	303
									2403 253 60604	303
									2403 253 60701	306
									2403 253 60702	306
	scm	WD 36945/X	4/8/15/25	130	6	80x160	61.8	2403 253 60801	309	
								2403 253 60802	309	
								2403 253 60803	309	
								2403 253 60804	309	
								2403 253 60901	312	
								2403 253 60902	312	
comp	WD 36947/X	4/8/15/25	130	6	80x160	61.8	2403 253 60903	312		
							2403 253 60904	312		
							2403 253 61001	315		
							2403 253 61002	315		
							2403 253 61003	315		
							2403 253 61004	315		
45/18	comp	AD 35901/X	8/15	95	8	160x80	54	2422 257 29202	321	
								2422 257 29203	321	
								2404 257 29701	324	
								2404 257 29701	324	
								2404 257 29701	324	
								2404 257 29701	324	
3.5x6	60/18	open	00 36400/X4K	4	100	15	160x80	46	2404 257 29701	324
	45/18	comp	AD 45905/X4SA	4	130	7	154x94.2	54	2422 257 20601	327
	60/18	open	AD 45420/X4	4	120	8	154x94.2	44	2422 257 20213	330

## Loudspeakers

## Selection guide

FRAME SIZE (IN)	MAGNET/CORE DIAMETER	MAGNET SYSTEM	BASIC TYPE NO.	IMPEDANCE $\Omega$	RESONANCE FREQ.	POWER HANDLING CAPACITY	DIMENSIONS (mm)		CATALOGUE NUMBER	PAGE		
							FLANGE	MOUNT. DEPTH				
4x6	28/10*	open	WD 46720/X	4/8/15/25	130	3	102x154	44	2403 251 80001	333		
									2403 251 80002	333		
									2403 251 80003	333		
			WD 46721/X	4/8/15/25	130	3	102x154	44	3	44	2403 251 80004	333
											2403 251 81201	336
											2403 251 81202	336
			WD 46722/X	4/8/15/25	130	3	102x154	44	3	44	2403 251 81203	336
											2403 251 81204	336
											2403 251 80101	339
			WD 46725/X	4/8/15/25	130	5	102x154	44	5	44	2403 251 80102	339
											2403 251 80103	339
											2403 251 80104	339
			WD 46726/X	4/8/15/25	130	5	102x154	44	5	44	2403 251 80601	342
											2403 251 80602	342
											2403 251 80603	342
WD 46727/X	4/8/15/25	130	5	102x154	44	5	44	2403 251 80604	342			
								2403 251 81501	345			
								2403 251 81502	345			
WD 46727/X	4/8/15/25	130	5	102x154	44	5	44	2403 251 81503	345			
								2403 251 81504	345			
								2403 251 80701	348			
WD 46740/X	4/8/15/25	130	2.5	102x154	57	2.5	57	2403 251 80702	348			
								2403 251 80703	348			
								2403 251 80704	348			
WD 46741/X	4/8/15/25	130	2.5	102x154	57	2.5	57	2403 251 80201	351			
								2403 251 80202	351			
								2403 251 80203	351			
WD 46742/X	4/8/15/25	130	2.5	102x154	57	2.5	57	2403 251 80204	351			
								2403 251 81301	354			
								2403 251 81302	354			
WD 46742/X	4/8/15/25	130	2.5	102x154	57	2.5	57	2403 251 81303	354			
								2403 251 81304	354			
								2403 251 80301	357			
WD 46742/X	4/8/15/25	130	2.5	102x154	57	2.5	57	2403 251 80302	357			
								2403 251 80303	357			
								2403 251 80304	357			

\*square magnet

# Loudspeakers

# Selection guide

Full range (oval) continued

FRAME SIZE (IN)	MAGNET/CORE DIAMETER	MAGNET SYSTEM	BASIC TYPE NO.	IMPEDANCE $\Omega$	RESONANCE FREQ.	POWER HANDLING CAPACITY	DIMENSIONS (mm)		CATALOGUE NUMBER	PAGE								
							FLANGE	MOUNT. DEPTH										
4x6	28/10*	scm	WD 46745/X	4/8/15/25	130	3.5	102x154	57	2403 251 80801	360								
									2403 251 80802	360								
			WD 46746/X	4/8/15/25	130	3.5	102x154	57	2403 251 80803	360								
									2403 251 80804	360								
			WD 46747/X	4/8/15/25	130	3.5	102x154	57	2403 251 81601	363								
									2403 251 81602	363								
		WD 46748/X	4/8/15/25	130	3.5	102x154	57	2403 251 81603	363									
								2403 251 81604	363									
		comp			WD 46760/X	4/8/15/25	130	2.5	102x154	57	2403 251 80401	369						
											2403 251 80402	369						
											WD 46761/X	4/8/15/25	130	2.5	102x154	57	2403 251 80403	369
																	2403 251 80404	369
WD 46762/X	4/8/15/25										130	2.5	102x154	57	2403 251 81401	372		
															2403 251 81402	372		
WD 46765/X	4/8/15/25		WD 46765/X	4/8/15/25	130	3.5	102x154	57	2403 251 81403	372								
									2403 251 81404	372								
									WD 46766/X	4/8/15/25	130	3.5	102x154	57	2403 251 80501	375		
															2403 251 80502	375		
									WD 46766/X	4/8/15/25	130	3.5	102x154	57	2403 251 80503	375		
															2403 251 80504	375		
WD 46766/X	4/8/15/25		WD 46766/X	4/8/15/25	130	3.5	102x154	57	2403 251 81001	378								
									2403 251 81002	378								
									WD 46767/X	4/8/15/25	130	3.5	102x154	57	2403 251 81003	378		
															2403 251 81004	378		
									WD 46767/X	4/8/15/25	130	3.5	102x154	57	2403 251 81701	381		
															2403 251 81702	381		
WD 46767/X	4/8/15/25	130	3.5	102x154	57	2403 251 81703	381											
						2403 251 81704	381											
WD 46767/X	4/8/15/25	130	3.5	102x154	57	2403 251 81101	384											
						2403 251 81102	384											
									2403 251 81103	384								
									2403 251 81104	384								

\*square magnet



## Loudspeakers

## Selection guide

Full range (oval) continued

FRAME SIZE (IN)	MAGNET/ CORE DIAMETER	MAGNET SYSTEM	BASIC TYPE NO.	IMPEDANCE $\Omega$	RESONANCE FREQ.	POWER HANDLING CAPACITY	DIMENSIONS (mm)		CATALOGUE NUMBER	PAGE
							FLANGE	MOUNT. DEPTH		
4x6	45/14	open	WD 46925/X	4/8/15/25	130	7	102x154	48.8	2403 253 80601	387
									2403 253 80602	387
									2403 253 80603	387
			WD 46926/X	4/8/15/25	130	7	102x154	48.8	2403 253 80604	387
									2403 253 81501	390
									2403 253 81502	390
	WD 46927/X	4/8/15/25	130	7	102x154	48.8	2403 253 81503	390		
							2403 253 81504	390		
							2403 253 80701	393		
	45/14	scrn	WD 46945/X	4/8/15/25	130	7	102x154	60.3	2403 253 80801	396
									2403 253 80802	396
									2403 253 80803	396
2403 253 80804									396	
2403 253 81601									399	
2403 253 81602									399	
45/14	scrn	WD 46946/X	4/8/15/25	130	7	102x154	60.3	2403 253 81603	399	
								2403 253 81604	399	
								2403 253 80901	402	
								2403 253 80902	402	
								2403 253 80903	402	
								2403 253 80904	402	
45/14	comp	WD 46965/X	4/8/15/25	130	7	102x154	60.3	2403 253 81001	405	
								2403 253 81002	405	
								2403 253 81003	405	
								2403 253 81004	405	
								2403 253 81701	408	
								2403 253 81702	408	
45/14	comp	WD 46966/X	4/8/15/25	130	7	102x154	60.3	2403 253 81703	408	
								2403 253 81704	408	
								2403 253 81101	411	
								2403 253 81102	411	
								2403 253 81103	411	
								2403 253 81104	411	

## Loudspeakers

## Selection guide

FRAME SIZE (IN)	MAGNET/CORE DIAMETER	MAGNET SYSTEM	BASIC TYPE NO.	IMPEDANCE $\Omega$	RESONANCE FREQ.	POWER HANDLING CAPACITY	DIMENSIONS (mm)		CATALOGUE NUMBER	PAGE
							FLANGE	MOUNT. DEPTH		
3	28/10*	open	AD 3071/Y	4/8/15/25/50	250	2	81	23	2403 257 23601	414
									2403 257 23602	414
									2403 257 23603	414
			AD 3371/Y	4/8/15/25/50	250	2	81x81	23	2403 257 23604	414
									2403 257 23605	414
									2403 257 23501	417
	AD 3074/Y	scrm	4/8/15/25	250	2	81	35	2403 257 23502	417	
								2403 257 23503	417	
								2403 257 23504	417	
			AD 3374/Y	4/8/15/25	250	2	81x81	35	2403 257 23505	417
									2403 257 23201	420
									2403 257 23202	420
AD 30743/Y	comp	4/8/15/25	250	2	81	35	2403 257 23203	420		
							2403 257 23204	420		
							2403 257 23301	423		
		AD 33743/Y	4/8/15/25	250	2	81x81	35	2403 257 23302	423	
								2403 257 23303	423	
								2403 257 23304	423	
45/18	comp	AD 33910/X8SA	8	115	8	87.2x87.2	44.3	2403 257 23701	426	
								2403 257 23702	426	
53x18	open	00 3080/X4S	4	120	10	87.2	33.2	2403 257 23703	426	
								2403 257 23704	426	
								2403 257 23901	429	
								2403 257 23902	429	
								2403 257 23903	429	
								2403 257 23904	429	
								2422 257 34512	432	
								2404 257 34518	435	

\* square magnet

## Loudspeakers

## Selection guide

Full range (round) continued

FRAME SIZE (IN)	MAGNET/CORE DIAMETER	MAGNET SYSTEM	BASIC TYPE NO.	IMPEDANCE $\Omega$	RESONANCE FREQ.	POWER HANDLING CAPACITY	DIMENSIONS (mm)		CATALOGUE NUMBER	PAGE
							FLANGE	MOUNT. DEPTH		
4	28/10*	open	AD 4072/X	4/8/15/25	170	3	105	30.2	2403 257 24205	438
									2403 257 24206	438
									2403 257 24207	438
									2403 257 24208	438
			AD 4472/X	4/8/15/25	170	3	105x105	30.2	2403 257 24805	441
									2403 257 24806	441
									2403 257 24807	441
									2403 257 24808	441
			AD 40725/X	4/8/15/25	170	5	105	30.2	2403 257 54205	444
									2403 257 54206	444
									2403 257 54207	444
									2403 257 54208	444
			AD 44725/X	4/8/15/25	170	5	105x105	30.2	2403 257 54805	447
									2403 257 54806	447
									2403 257 54807	447
									2403 257 54808	447
scrm			AD 4074/X	4/8/15/25	170	2.5	105	2403 257 24305	450	
								2403 257 24306	450	
								2403 257 24307	450	
								2403 257 24308	450	
			AD 4474/X	4/8/15/25	170	2.5	105x105	42	2403 257 24705	453
									2403 257 24706	453
									2403 257 24707	453
									2403 257 24708	453
			AD 40745/X	4/8/15/25	170	3.5	105	42	2403 257 54305	456
									2403 257 54306	456
									2403 257 54307	456
									2403 257 54308	456
			AD 44745/X	4/8/15/25	170	3.5	105x105	42	2403 257 54705	459
									2403 257 54706	459
									2403 257 54707	459
									2403 257 54708	459

\* square magnet

## Loudspeakers

## Selection guide

Full range (round) continued

FRAME SIZE (IN)	MAGNET/CORE DIAMETER	MAGNET SYSTEM	BASIC TYPE NO.	IMPEDANCE $\Omega$	RESONANCE FREQ.	POWER HANDLING CAPACITY	DIMENSIONS (mm)		CATALOGUE NUMBER	PAGE
							FLANGE	MOUNT. DEPTH		
4	28/18*	comp	AD 40743/X	4/8/15/25	170	2.5	105	42	2403 257 24405	482
									2403 257 24406	462
									2403 257 24407	462
									2403 257 24408	462
									2403 257 24505	465
									2403 257 24506	465
									2403 257 24507	465
									2403 257 24508	465
									2403 257 54405	468
									2403 257 54406	468
									2403 257 54407	468
									2403 257 54408	468
									2403 257 54505	471
									2403 257 54506	471
2403 257 54507	471									
2403 257 54508	471									
45/14	open	WD40925/X	4/8/15/25	150	7	105	40.7	2403 253 00601	474	
								2403 253 00602	474	
								2403 253 00603	474	
								2403 253 00604	474	
								2403 253 00701	477	
								2403 253 00702	477	
								2403 253 00703	477	
								2403 253 00704	477	
								2403 253 00801	480	
								2403 253 00802	480	
								2403 253 00803	480	
								2403 253 00804	480	
								2403 253 00901	483	
								2403 253 00902	483	
2403 253 00903	483									
2403 253 00904	438									
4	28/18*	comp	WD 40945/X	4/8/15/25	150	7	105	51	2403 253 01001	486
									2403 253 01002	486
									2403 253 01003	486
									2403 253 01004	486
									2403 253 01101	489
									2403 253 01102	489
									2403 253 01103	489
									2403 253 01104	489
									2403 253 01001	486
									2403 253 01002	486
									2403 253 01003	486
									2403 253 01004	486
									2403 253 01101	489
									2403 253 01102	489
2403 253 01103	489									
2403 253 01104	489									

\* square magnet

## Loudspeakers

## Selection guide

Full range (round) continued

FRAME SIZE (IN)	MAGNET/CORE DIAMETER	MAGNET SYSTEM	BASIC TYPE NO.	IMPEDANCE $\Omega$	RESONANCE FREQ.	POWER HANDLING CAPACITY	DIMENSIONS (mm)		CATALOGUE NUMBER	PAGE
							FLANGE	MOUNT. DEPTH		
4	45/18	comp	AD 44900/P.M	4/8/15	110	8	102x102	52.6	2422 257 44305	492
									2422 257 44306	492
	60/18	open	AD 44900/X	4/8/15	100	8	102x102	52.6	2422 257 44307	492
									2422 257 44201	495
									2422 257 44202	495
5	53/18	open	AD 44400/M4K 00 44401/X4	4	110 85	15 12	102x102 102x102	47.6 47.6	2422 257 44101	498
									2404 257 44104	501
	60/18	open	AD 50800/M	4/8	140	6	120	46	2422 257 25105	504
									2422 257 25106	504
									2404 257 45311	507
5.25	28/10*	open	AD 50410/M4K	4	108	15	120	46.4	2403 251 10001	510
									2403 251 10002	510
	WD 50720/X	4/8/15/25	130	3	131	45	131x131	45	2403 251 10003	510
									2403 251 10004	510
									2403 251 10101	513
WD 55720/X	4/8/15/25	130	3	131x131	45	131x131	45	2403 251 10102	513	
								2403 251 10103	513	
WD 50725/X	4/8/15/25	130	5	131	45	131	45	2403 251 10104	513	
								2403 251 10601	516	
								2403 251 10602	516	
WD 55725/X	4/8/15/25	130	5	131x131	45	131x131	45	2403 251 10603	516	
								2403 251 10604	516	
								2403 251 10701	519	
								2403 251 10702	519	
								2403 251 10703	519	
								2403 251 10704	519	

\* square magnet

## Loudspeakers

## Selection guide

Full range (round) continued

FRAME SIZE (IN)	MAGNET/ CORE DIAMETER	MAGNET SYSTEM	BASIC TYPE NO.	IMPEDANCE $\Omega$	RESONANCE FREQ.	POWER HANDLING CAPACITY	DIMENSIONS (mm)		CATALOGUE NUMBER	PAGE
							FLANGE	MOUNT. DEPTH		
5.25	28/10*	scrm	WD 50740/X	4/8/15/25	130	2.5	131	58.5	2403 251 10201	522
									2403 251 10202	522
									2403 251 10203	522
			WD 55740/X	4/8/15/25	130	2.5	131x131	58.5	2403 251 10204	522
									2403 251 10301	525
									2403 251 10302	525
			WD 50745/X	4/8/15/25	130	3.5	131	58.5	2403 251 10303	525
									2403 251 10304	525
									2403 251 10801	528
			WD 55745/X	4/8/15/25	130	3.5	131x131	58.5	2403 251 10802	528
									2403 251 10803	528
									2403 251 10804	528
WD 50760/X	comp	4/8/15/25	130	2.5	131	58.5	2403 251 10901	531		
							2403 251 10902	531		
							2403 251 10903	531		
							2403 251 10904	531		
							2403 251 10401	534		
							2403 251 10402	534		
WD 55760/X	4/8/15/25	130	2.5	131x131	58.5	2403 251 10403	534			
						2403 251 10404	534			
						2403 251 10501	537			
WD 50765/X	4/8/15/25	130	3.5	131	58.5	2403 251 10502	537			
						2403 251 10503	537			
						2403 251 10504	537			
WD 55765/X	4/8/15/25	130	3.5	131x131	58.5	2403 251 11001	540			
						2403 251 11002	540			
						2403 251 11003	540			
WD 55765/X	4/8/15/25	130	3.5	131x131	58.5	2403 251 11004	540			
						2403 251 11101	543			
						2403 251 11102	543			
WD 55765/X	4/8/15/25	130	3.5	131x131	58.5	2403 251 11103	543			
						2403 251 11104	543			

\* square magnet

## Loudspeakers

## Selection guide

Full range (round) continued

FRAME SIZE (IN)	MAGNET/ CORE DIAMETER	MAGNET SYSTEM	BASIC TYPE NO.	IMPEDANCE $\Omega$	RESONANCE FREQ.	POWER HANDLING CAPACITY	DIMENSIONS (mm)		CATALOGUE NUMBER	PAGE							
							FLANGE	MOUNT. DEPTH									
5.25	45/14	open	WD 50925/X	4/8/15/25	130	8	131	50	2403 253 10601	545							
									2403 253 10602	545							
			WD 55925/X	4/8/15/25	130	8	131x131	50	131x131	50	2403 253 10603	545					
											2403 253 10604	545					
											2403 253 10701	548					
											2403 253 10702	548					
	WD 51921/M4W WD 55925/X4W WD 55925/M4W	4	80	6	131	50	131x131	50	2403 253 10703	548							
									2403 253 10704	548							
	WD 50945/X	4	80	9	131x131	50	131x131	50	2403 253 11301	551							
									2403 253 11401	554							
									2403 253 11501	557							
									WD 50945/X	4/8/15/25	130	7	131	60.8	131	60.8	2403 253 10801
2403 253 10802																	560
2403 253 10803																	560
WD 55945/X	4/8/15/25	130	7	131x131	60.8	131x131	60.8	2403 253 10804	560								
								2403 253 10901	563								
								2403 253 10902	563								
WD 50965/X	4/8/15/25	130	7	131	60.8	131	60.8	2403 253 10903	563								
								2403 253 10904	563								
								WD 50965/X	4/8/15/25	130	7	131	60.8	131	60.8	2403 253 11001	566
																2403 253 11002	566
																2403 253 11003	566
								WD 55965/X	4/8/15/25	130	7	131x131	60.8	131x131	60.8	2403 253 11004	566
2403 253 11101	569																
2403 253 11102	569																
AD 51400/M4 AD 51410/M4K	60/18	open	4	4	130	130	51	2422 257 35812	572								
								2422 257 45501	575								

Loudspeakers

Selection guide

Full range (round) continued

FRAME SIZE (IN)	MAGNET/CORE DIAMETER	MAGNET SYSTEM	BASIC TYPE NO.	IMPEDANCE $\Omega$	RESONANCE FREQ.	POWER HANDLING CAPACITY	DIMENSIONS (mm)		CATALOGUE NUMBER	PAGE
							FLANGE	MOUNT. DEPTH		
7	28/10*	open	WD 77725/X	4/8/15/25	100	5	160x160	47.5	2403 251 20701	578
									2403 251 20702	578
									2403 251 20703	578
	28/10*	scrn	WD 77745/X	4/8/15/25	100	3.5	160x160	62	2403 251 20901	581
									2403 251 20902	581
									2403 251 20903	581
	28/10*	comp	WD 77765/X	4/8/15/25	100	3.5	160x160	62	2403 251 21101	584
									2403 251 21102	584
									2403 251 21103	584
	45/14	open	WD 70925/X	4/8/15/25	100	12	160	52.5	2403 253 20601	587
									2403 253 20602	587
									2403 253 20603	587
45/14	open	WD 77925/X	4/8/15/25	100	12	160x160	52.5	2403 253 20604	587	
								2403 253 20701	590	
								2403 253 20702	590	
45/14	open	WD 71926/X	4/8/15/25	100	12	160	52.5	2403 253 20703	590	
								2403 253 20704	590	
								2403 253 21501	593	
45/14	open	WD 71926/X	4/8/15/25	100	12	160	52.5	2403 253 21502	593	
								2403 253 21503	593	
45/14	open	WD 71926/X	4/8/15/25	100	12	160	52.5	2403 253 21504	593	
								2403 253 21504	593	

\* square magnet



## Loudspeakers

## Selection guide

Full range (round) continued

FRAME SIZE (IN)	MAGNET/ CORE DIAMETER	MAGNET SYSTEM	BASIC TYPE NO.	IMPEDANCE $\Omega$	RESONANCE FREQ.	POWER HANDLING CAPACITY	DIMENSIONS (mm)		CATALOGUE NUMBER	PAGE
							FLANGE	MOUNT. DEPTH		
7	45/14	scrn	WD 70945/X	4/8/15/25	100	8	160	62.4	2403 253 20801	596
									2403 253 20802	596
									2403 253 20803	596
			WD 77945/X	4/8/15/25	100	8	160x160	62.4	2403 253 20804	596
									2403 253 20901	599
									2403 253 20902	599
	WD 71946/X	4/8/15/25	100	8	160	62.4	2403 253 20903	599		
							2403 253 20904	599		
							2403 253 21601	602		
	45/18	comp	WD 70965/X	4/8/15/25	100	8	160	62.4	2403 253 21602	602
									2403 253 21603	602
									2403 253 21604	602
2403 253 21001									605	
2403 253 21002									605	
2403 253 21003									605	
53/18	open	WD 77965/X	4/8/15/25	100	8	160x160	62.4	2403 253 21004	605	
								2403 253 21101	608	
								2403 253 21102	608	
								2403 253 21103	608	
								2403 253 21104	608	
								2403 253 21701	611	
72/25	open	WD 71966/X	4/8/15/25	100	8	160	62.4	2403 253 21702	611	
								2403 253 21703	611	
								2403 253 21704	611	
								2422 257 47805	614	
								2422 257 47806	614	
								2422 257 47804	617	
53/18	open	AD 70800/M	4/8	105	13	165.2	56.5	2422 257 47808	617	
								2422 257 47405	620	
								2422 257 47406	620	
72/25	open	AD 70631/M	4/8	63	15	165.2	56.5	2422 257 47106	623	
								2422 257 47107	623	

## Loudspeakers

## Selection guide

Full range (round) continued

FRAME SIZE (IN)	MAGNET/ CORE DIAMETER	MAGNET SYSTEM	BASIC TYPE NO.	IMPEDANCE $\Omega$	RESONANCE FREQ.	POWER HANDLING CAPACITY	DIMENSIONS (mm)		CATALOGUE NUMBER	PAGE
							FLANGE	MOUNT. DEPTH		
8	53/18	open	AD 80800/M	4/8	85	15	204.6	68.6	2422 257 38705	626
									2422 257 38706	626
12	90/35	open	AD 12672/M	4/8	75	15	204.6	68.6	2422 257 38715	629
									2422 257 38716	629
	121/35	open	AD 12202/M	4/8/15	45	60	312	128	2422 257 41104	632
									2422 257 41105	632
					100	312	137	2422 257 51201	635	
									2422 257 51202	635
									2422 257 51203	635

Data sheet	
status	Product specification
date of issue	May 1990

# AD 00200/T4FF

## 12 mm Dome Tweeter

### APPLICATION

Dome tweeter loudspeaker for audio applications.

### DESCRIPTION

• Front plate	material: plastic finish: texture
• Membrane	colour: black material: polycarbonate
• Gasket	: none
• Remark	: voice coil has ferrofluid cooling

### TECHNICAL DATA

<b>Unmounted</b>		
Rated impedance	4	Ω
Voice coil resistance	3	Ω
Resonance frequency	-	Hz
Sweep voltage	1.5	V
Magnetic flux density	0.65	T
Loudspeaker mass	39	g
<b>Mounted</b>		
Characteristic sensitivity	88	dB/W/m
Maximum noise power (PHC)	15	W

# 12 mm Dome Tweeter

AD 00200/T4FF

## MECHANICAL DATA

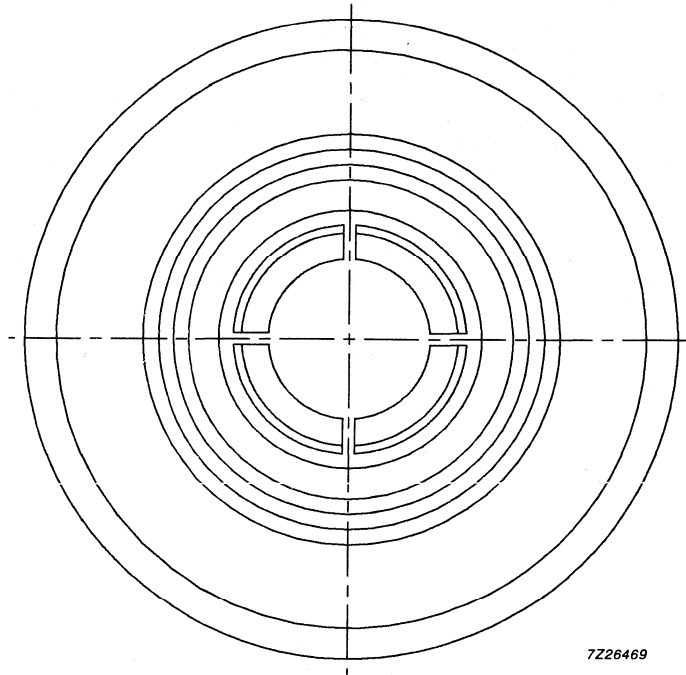
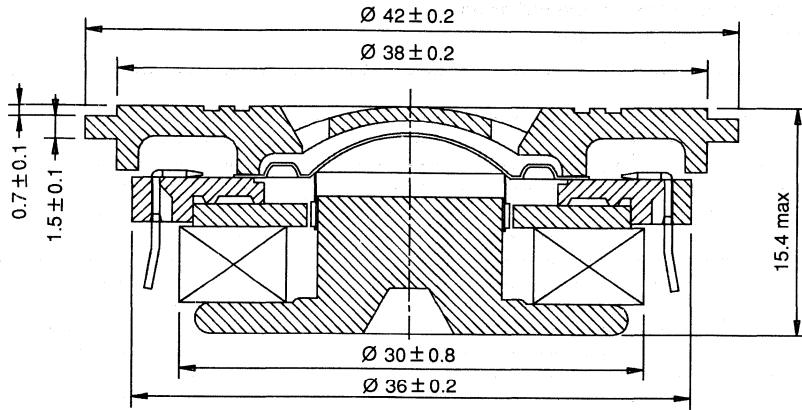


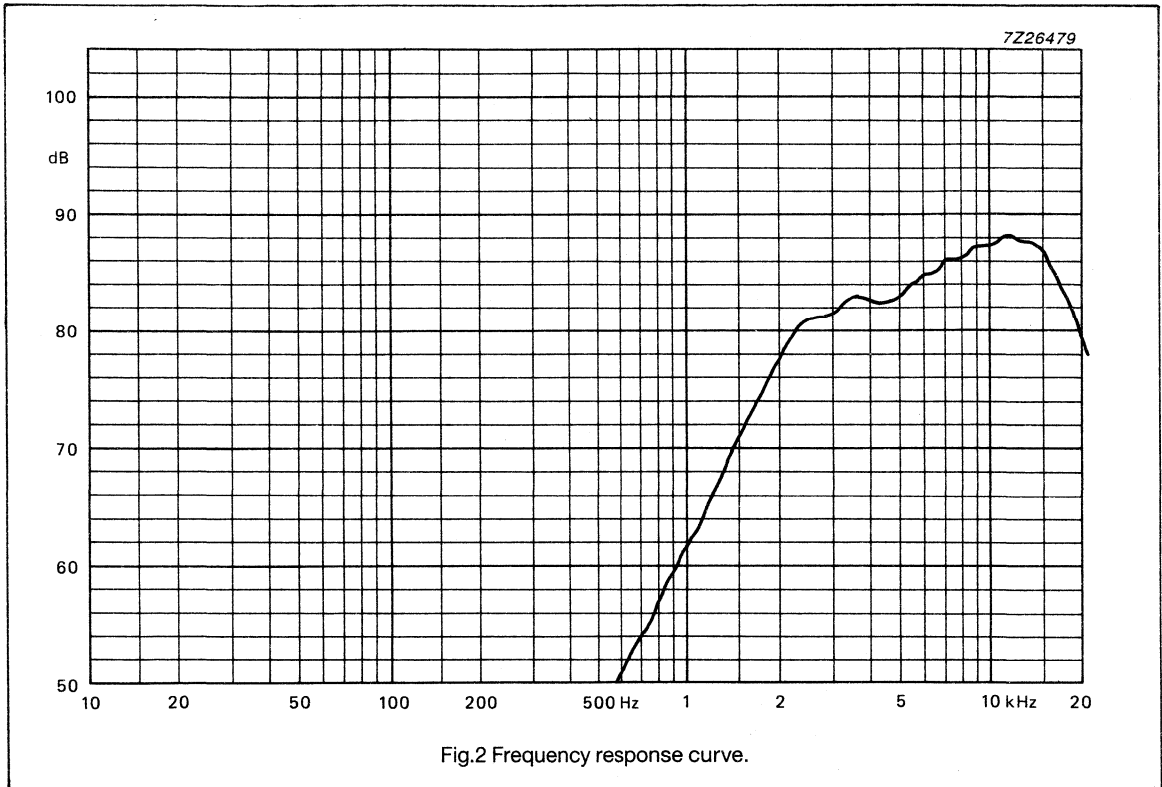
Fig.1 Outline dimensions (mm).

**12 mm Dome Tweeter**

**AD 00200/T4FF**

**FREQUENCY RESPONSE CURVES**

Frequency response curves have been measured on an axis at a distance of 1 m with 1 W input power.



Catalogue number: 2422 257 43901

**Philips Components**

Data sheet	
status	Product specification
date of issue	May 1990

# AD 00201/T4FF

## 12 mm Dome Tweeter

**APPLICATION**

Dome tweeter loudspeaker for audio applications.

**DESCRIPTION**

• Front plate	material: plastic finish: texture
• Membrane	colour: black material: polycarbonate
• Gasket	: none
• Remark	: voice coil has ferrofluid cooling

**TECHNICAL DATA**

<b>Unmounted</b>		
Rated impedance	4	$\Omega$
Voice coil resistance	3	$\Omega$
Resonance frequency	-	Hz
Sweep voltage	1.5	V
Magnetic flux density	0.65	T
Loudspeaker mass	42	g
<b>Mounted</b>		
Characteristic sensitivity	88	dB/W/m
Maximum noise power (PHC)	15	W

12 mm Dome Tweeter

AD 00201/T4FF

MECHANICAL DATA

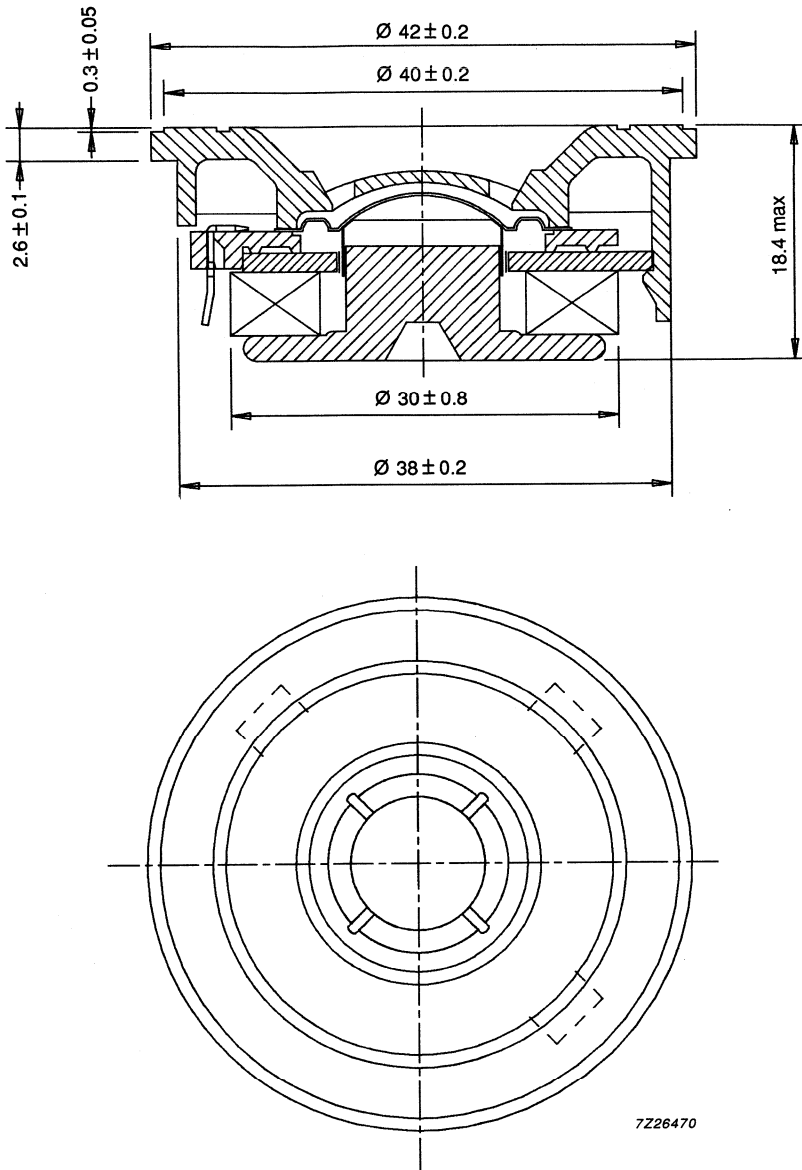


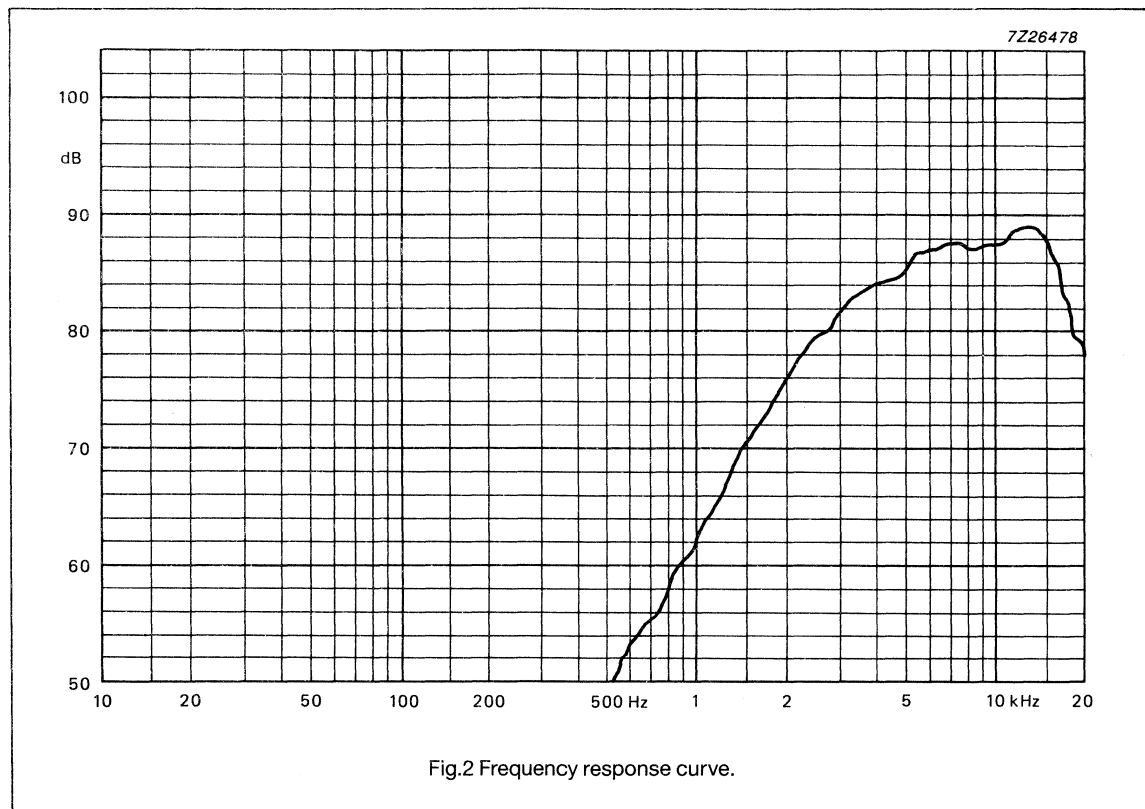
Fig.1 Outline dimensions (mm).

## 12 mm Dome Tweeter

**AD 00201/T4FF**

### FREQUENCY RESPONSE CURVES

Frequency response curves have been measured on an axis at a distance of 1 m with 1 W input power.



Catalogue number: 2422 257 43907



Data sheet	
status	Product specification
date of issue	May 1990

# AD 00202/T4FF

## 12 mm Dome Tweeter

### APPLICATION

Dome tweeter loudspeaker for audio applications.

### DESCRIPTION

• Front plate	material: plastic finish: texture
• Membrane	colour: black material: polycarbonate
• Gasket	: none
• Remark	: voice coil has ferrofluid cooling

### TECHNICAL DATA

<b>Unmounted</b>		
Rated impedance	4	$\Omega$
Voice coil resistance	3	$\Omega$
Resonance frequency	-	Hz
Sweep voltage	1.5	V
Magnetic flux density	0.65	T
Loudspeaker mass	42	g
<b>Mounted</b>		
Characteristic sensitivity	88	dB/W/m
Maximum noise power (PHC)	15	W

# 12 mm Dome Tweeter

AD 00202/T4FF

## MECHANICAL DATA

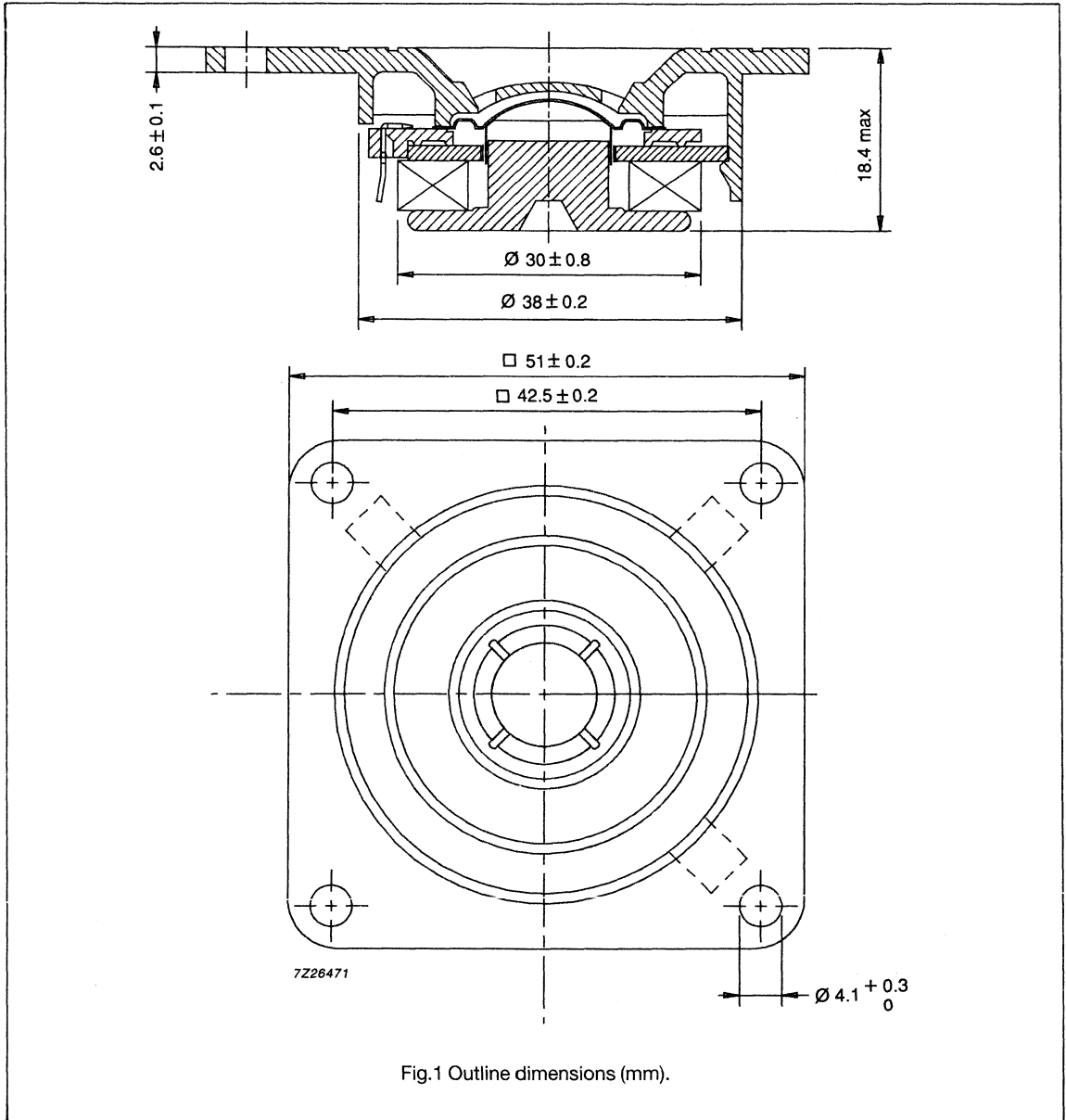
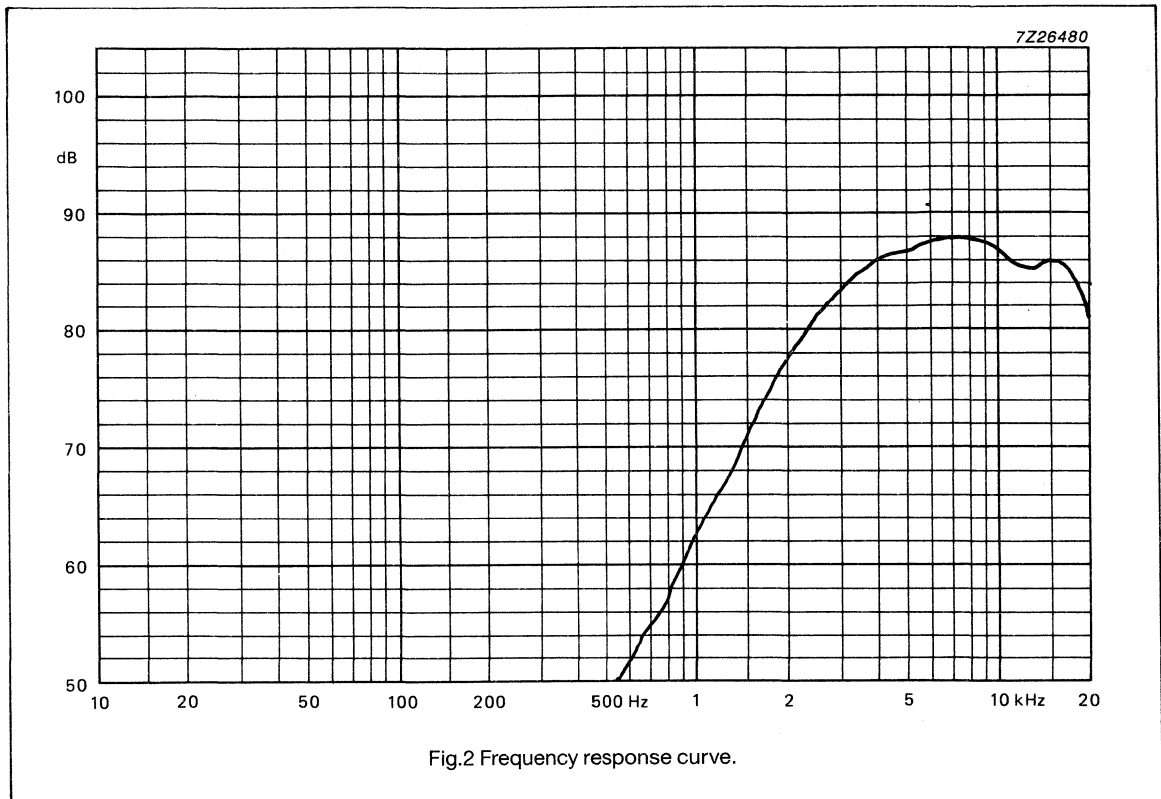


Fig.1 Outline dimensions (mm).

**12 mm Dome Tweeter****AD 00202/T4FF****FREQUENCY RESPONSE CURVES**

Frequency response curves have been measured on an axis at a distance of 1 m with 1 W input power.



Catalogue number: 2422 257 43911

## Philips Components

Data sheet	
status	Product specification
date of issue	May 1990

# AD 00300/T4FF

## 12 mm Dome Tweeter

### APPLICATION

Dome tweeter loudspeaker for audio applications.

### DESCRIPTION

• Front plate	material: plastic finish: texture
• Membrane	colour: black material: polycarbonate
• Gasket	: none
• Remark	: voice coil has ferrofluid cooling

### TECHNICAL DATA

<b>Unmounted</b>		
Rated impedance	4	$\Omega$
Voice coil resistance	3	$\Omega$
Resonance frequency	-	Hz
Sweep voltage	1.5	V
Magnetic flux density	0.65	T
Loudspeaker mass	69	g
<b>Mounted</b>		
Characteristic sensitivity	90	dB/W/m
Maximum noise power (PHC)	15	W

# 12 mm Dome Tweeter

AD 00300/T4FF

## MECHANICAL DATA

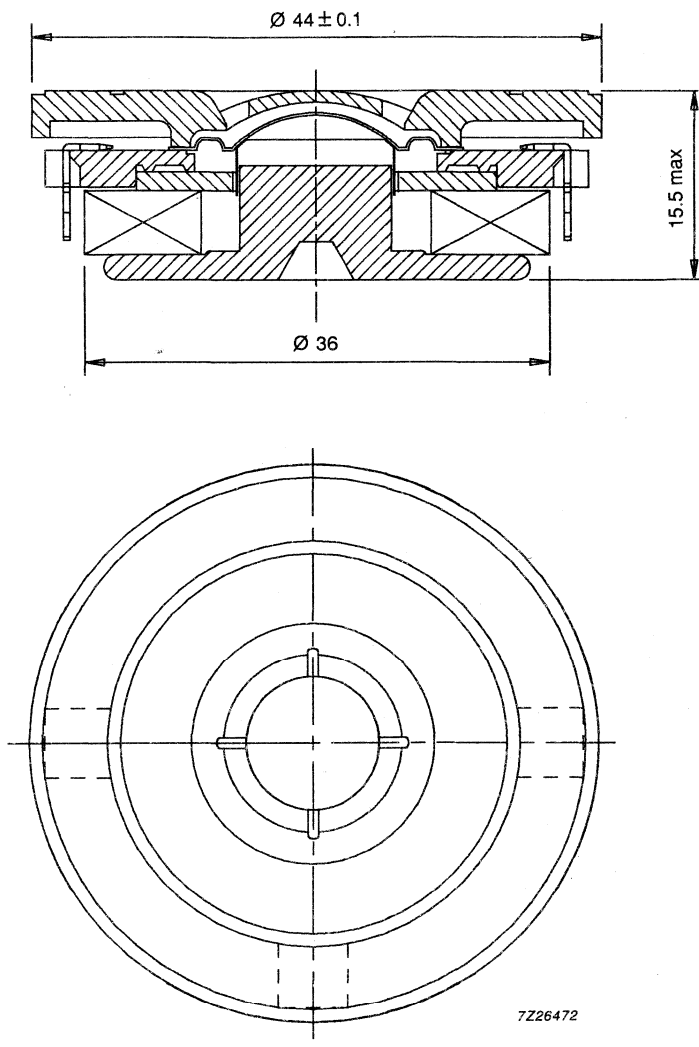


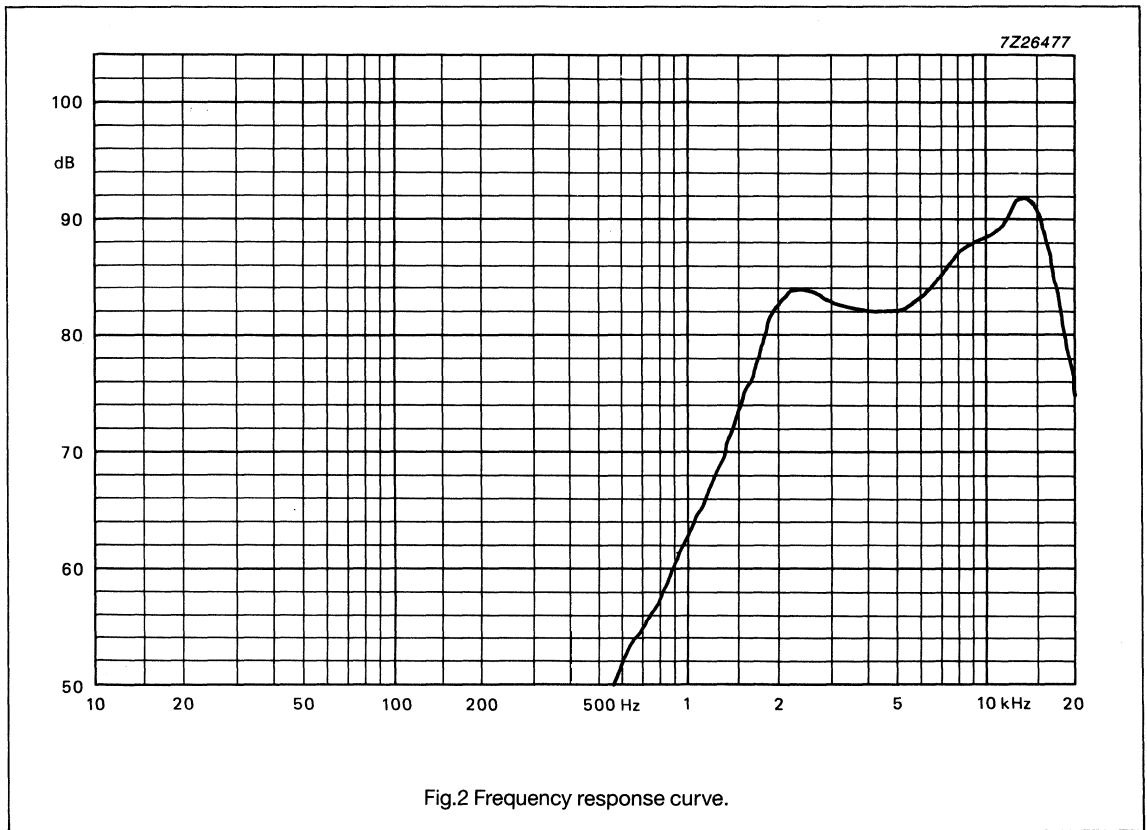
Fig.1 Outline dimensions (mm).

# 12 mm Dome Tweeter

AD 00300/T4FF

## FREQUENCY RESPONSE CURVES

Frequency response curves have been measured on an axis at a distance of 1 m with 1 W input power.



Catalogue number: 2422 257 22301

# AD 00301/T4FF

## 12 mm Dome Tweeter

Data sheet	
status	Product specification
date of issue	May 1990

### APPLICATION

Dome tweeter loudspeaker for audio applications.

### DESCRIPTION

• Front plate	material: plastic finish: texture
• Membrane	colour: black material: polycarbonate
• Gasket	: none
• Remark	: voice coil has ferrofluid cooling

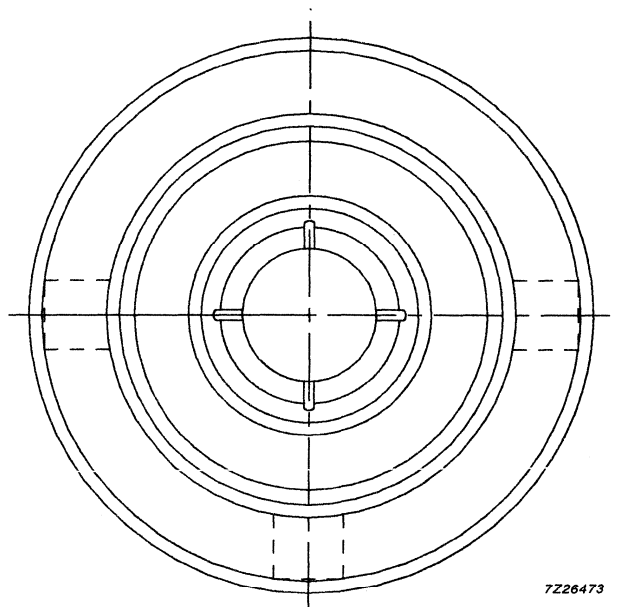
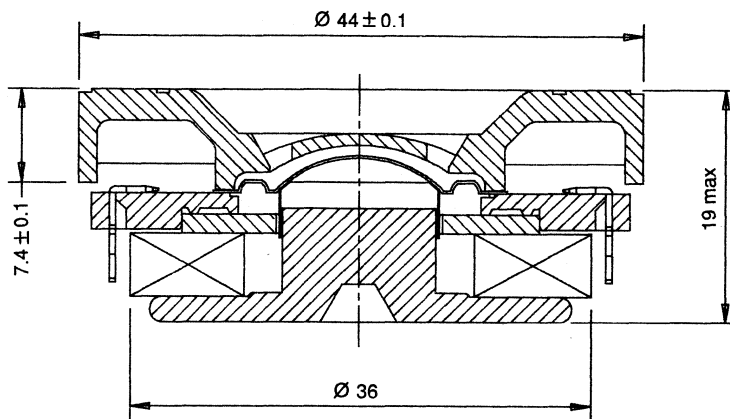
### TECHNICAL DATA

<b>Unmounted</b>		
Rated impedance	4	$\Omega$
Voice coil resistance	3	$\Omega$
Resonance frequency	-	Hz
Sweep voltage	1.5	V
Magnetic flux density	0.65	T
Loudspeaker mass	69	g
<b>Mounted</b>		
Characteristic sensitivity	90	dB/W/m
Maximum noise power (PHC)	15	W

# 12 mm Dome Tweeter

# AD 00301/T4FF

## MECHANICAL DATA



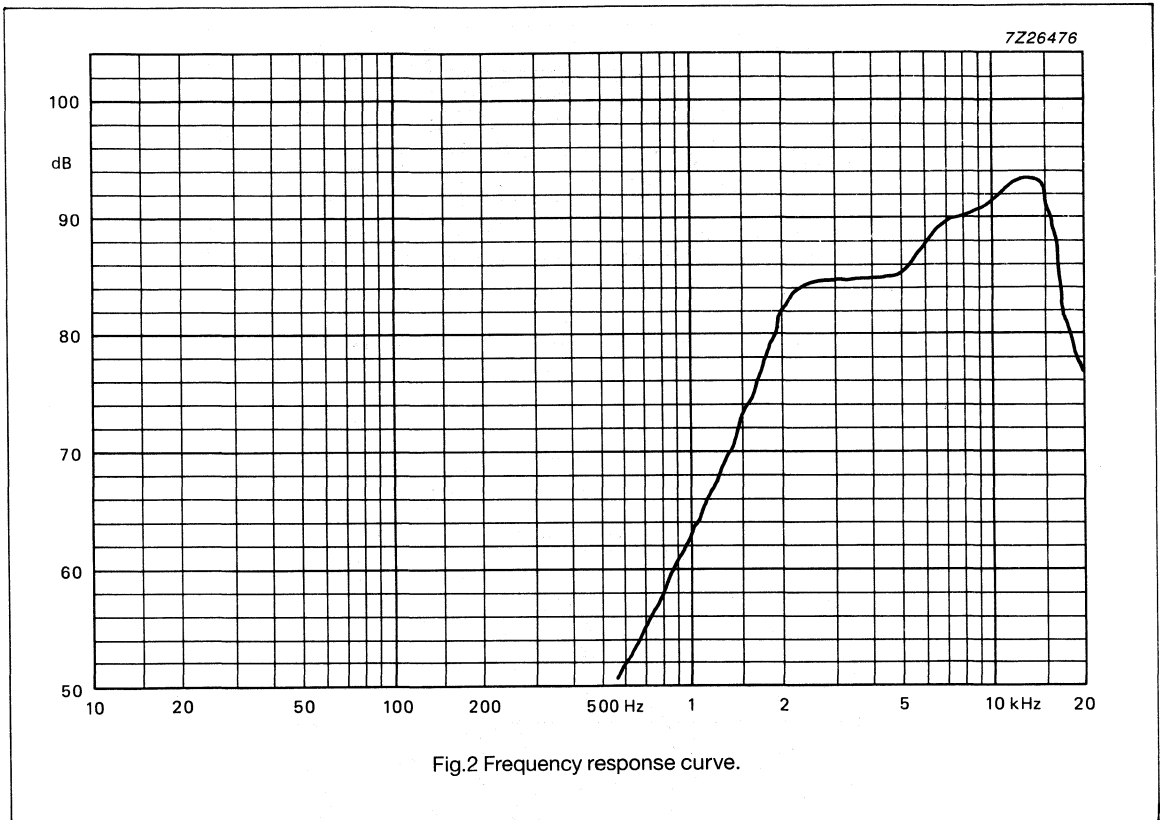
7Z26473

Fig.1 Outline dimensions (mm).



**12 mm Dome Tweeter****AD 00301/T4FF****FREQUENCY RESPONSE CURVES**

Frequency response curves have been measured on an axis at a distance of 1 m with 1 W input power.



Catalogue number: 2422 257 22303

<b>Data sheet</b>	
<b>status</b>	Product specification
<b>date of issue</b>	May 1990

# AD 00302/T4FF

## 12 mm Dome Tweeter

**APPLICATION**

Dome tweeter loudspeaker for audio applications.

**DESCRIPTION**

• Front plate	material: plastic finish: texture
• Membrane	colour: black material: polycarbonate
• Gasket	: none
• Remark	: voice coil has ferrofluid cooling

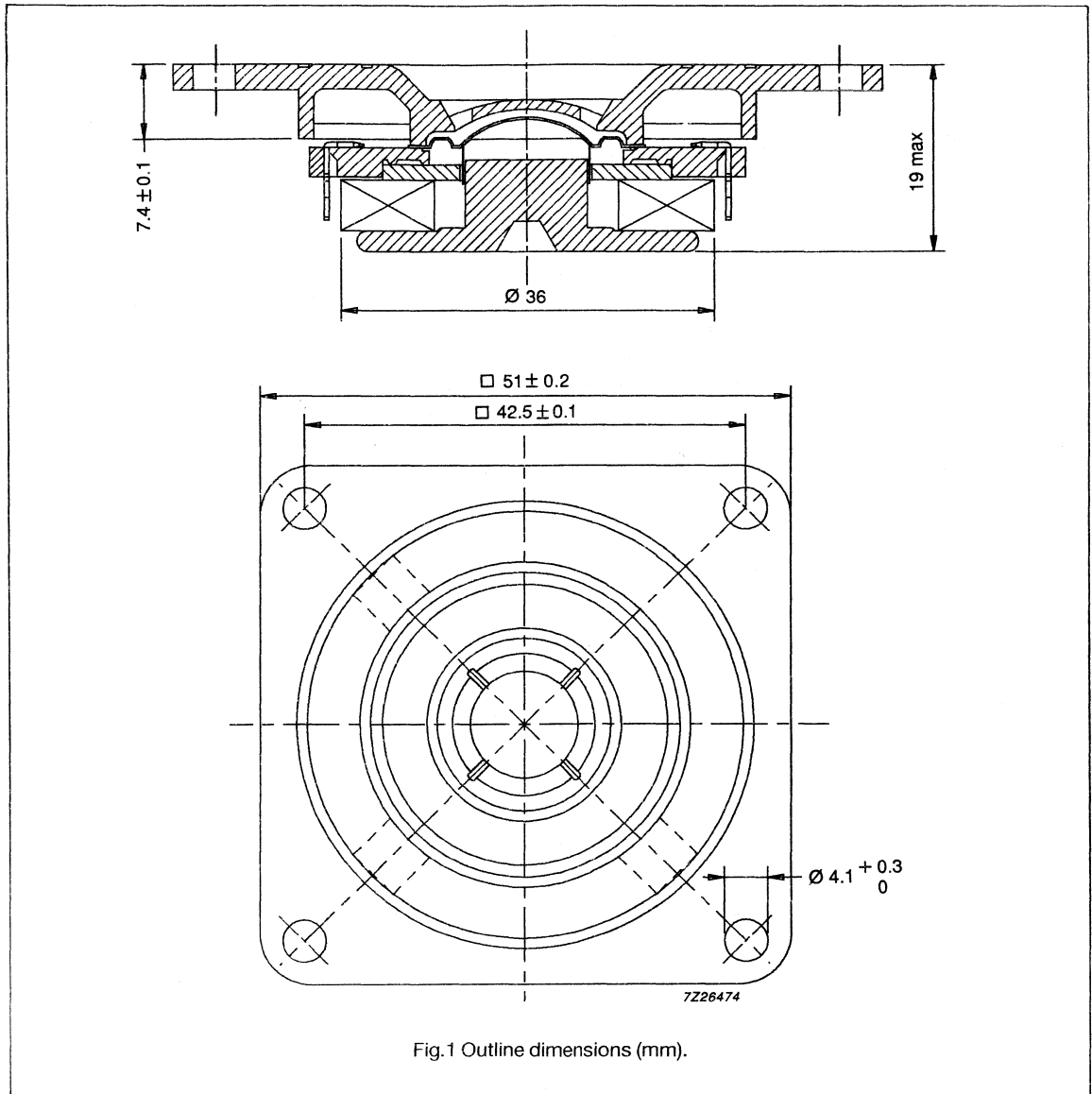
**TECHNICAL DATA**

<b>Unmounted</b>		
Rated impedance	4	$\Omega$
Voice coil resistance	3	$\Omega$
Resonance frequency	-	Hz
Sweep voltage	1.5	V
Magnetic flux density	0.65	T
Loudspeaker mass	69	g
<b>Mounted</b>		
Characteristic sensitivity	90	dB/W/m
Maximum noise power (PHC)	15	W

12 mm Dome Tweeter

AD 00302/T4FF

MECHANICAL DATA

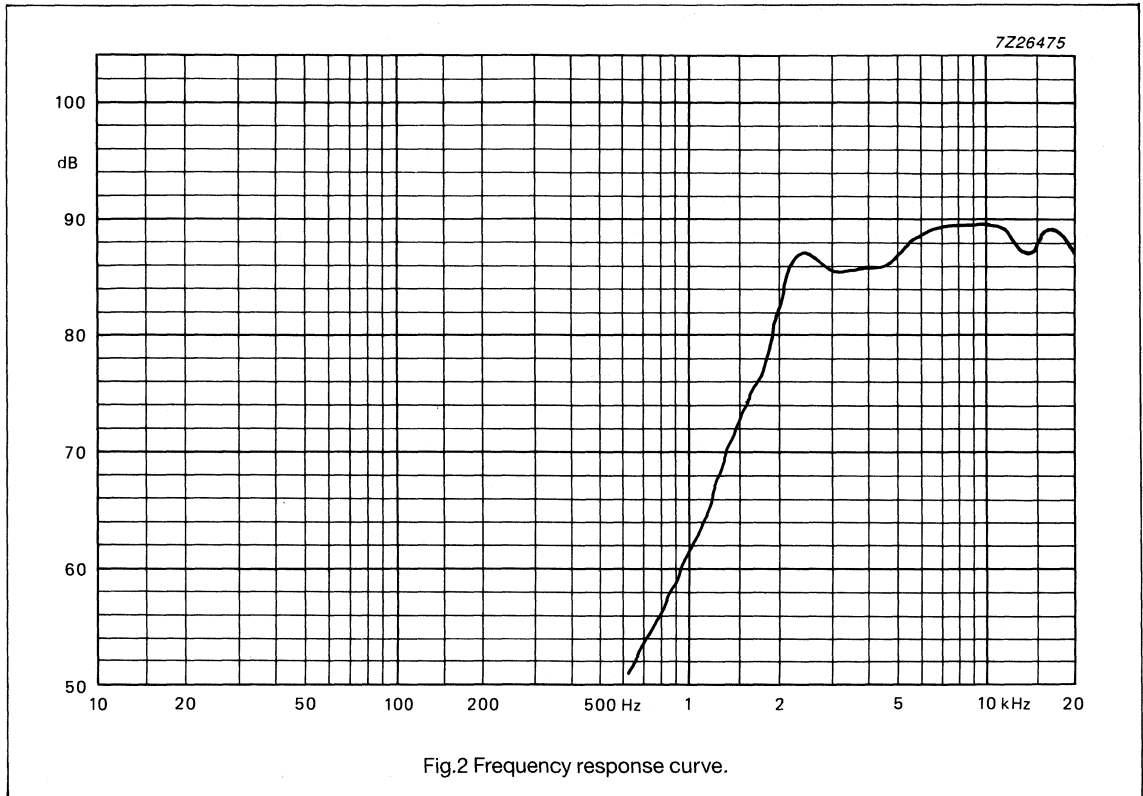


# 12 mm Dome Tweeter

AD 00302/T4FF

## FREQUENCY RESPONSE CURVES

Frequency response curves have been measured on an axis at a distance of 1 m with 1 W input power.



Catalogue number: 2422 257 22305

# AD 00845 series

## 18 mm Dome Tweeter

Data sheet	
status	Product specification
date of issue	May 1990

### APPLICATION

Dome Tweeter, loudspeaker for audio applications.

### DESCRIPTION

• Front plate	material: plastic finish: texture
• Membrane	colour: black material: polyester
• Gasket	material: foam position: rear

### TECHNICAL DATA

	version		unit
	/T4	/T8	
<b>Unmounted</b>			
Rated impedance	4	8	$\Omega$
Voice coil resistance	3.4	6.3	$\Omega$
Resonance frequency	1300		Hz
Sweep voltage	2	3	V
Magnetic flux density	1.15		T
Loudspeaker mass	165		g
<b>Mounted</b>			
Characteristic sensitivity	90		dB/W/m
Maximum noise power (PHC)	3		W

**18 mm Dome Tweeter**

**AD 00845 series**

**MECHANICAL DATA**

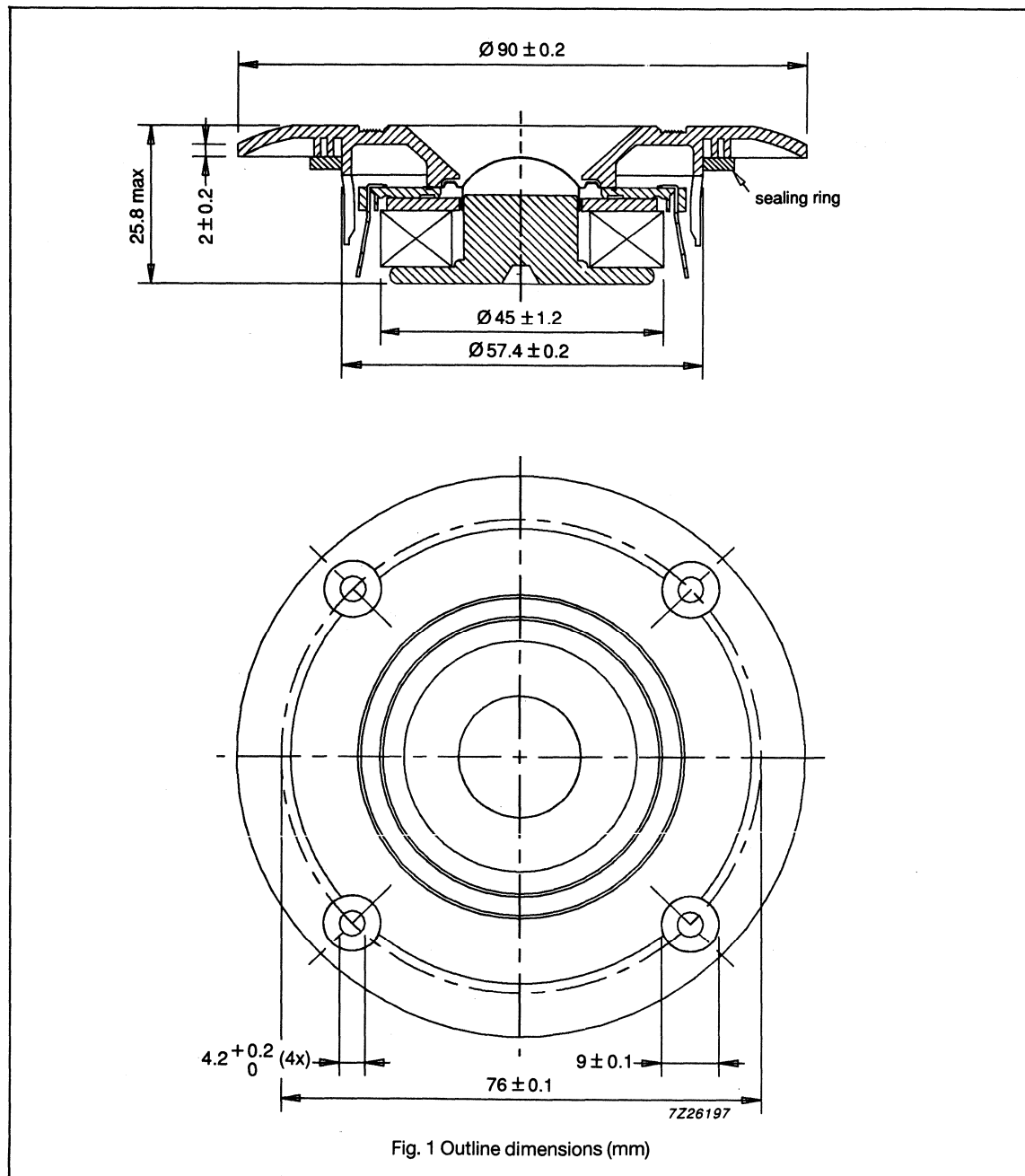
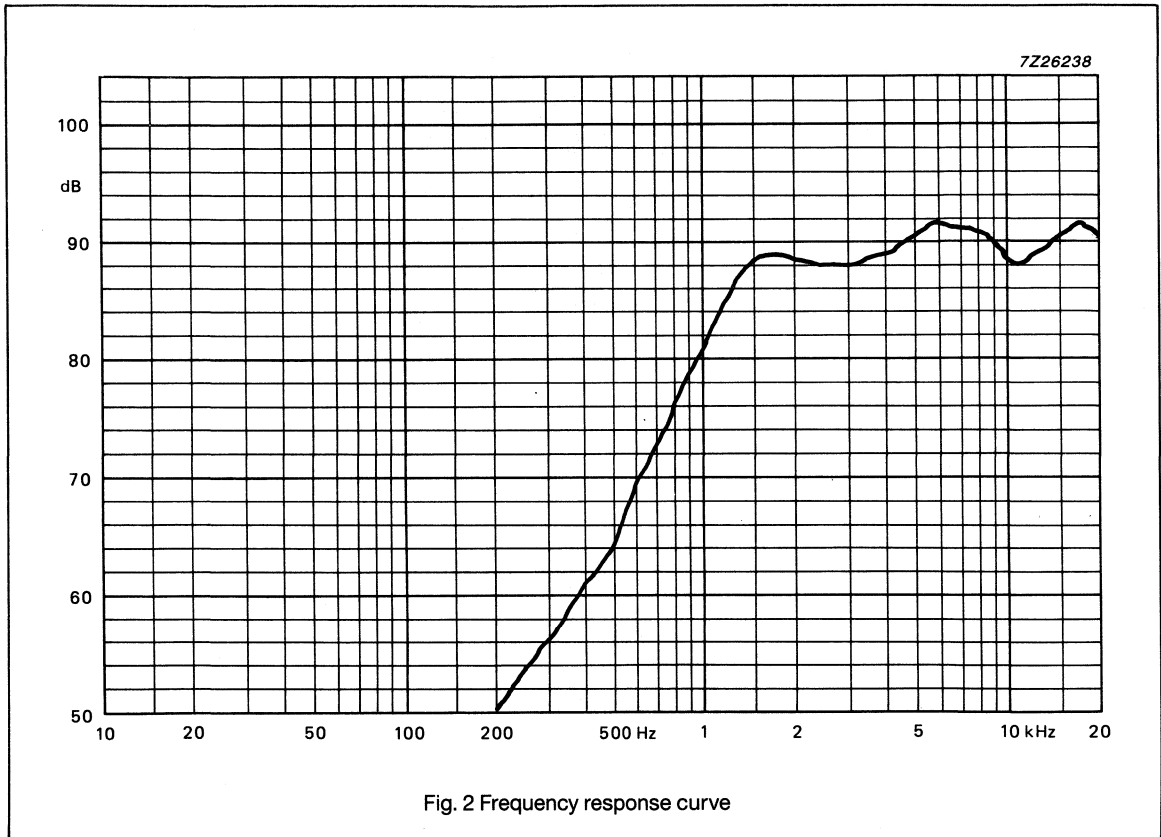


Fig. 1 Outline dimensions (mm)

**18 mm Dome Tweeter****AD 00845 series****FREQUENCY RESPONSE CURVES**

Frequency response curves have been measured on an axis at a distance of 1 m with 1 W input power.



Catalogue number: 2422 257 43803  
2422 257 43804

# AD 11802/T8

## 25 mm Dome Tweeter

Data sheet	
status	Product specification
date of issue	November 1989

### APPLICATION

Dome tweeter, loudspeaker for audio, video applications and coaxials. The magnet system has an M3 fixing hole.

### DESCRIPTION

- |               |                                      |
|---------------|--------------------------------------|
| • Front plate | material: plastic<br>finish: texture |
| • Membrane    | colour: black<br>material: polyester |
| • Gasket      | material: foam<br>position: rear     |

### TECHNICAL DATA

<b>Unmounted</b>		
Rated impedance	8	Ω
Voice coil resistance	6.3	Ω
Resonance frequency	1100	Hz
Sweep voltage	3	V
Magnetic flux density	0.73	T
Loudspeaker mass	380	g
<b>Mounted</b>		
Characteristic sensitivity	89	dB/W/m
Maximum noise power (PHC)	4	W



# 25 mm Dome Tweeter

AD 11802/T8

## MECHANICAL DATA

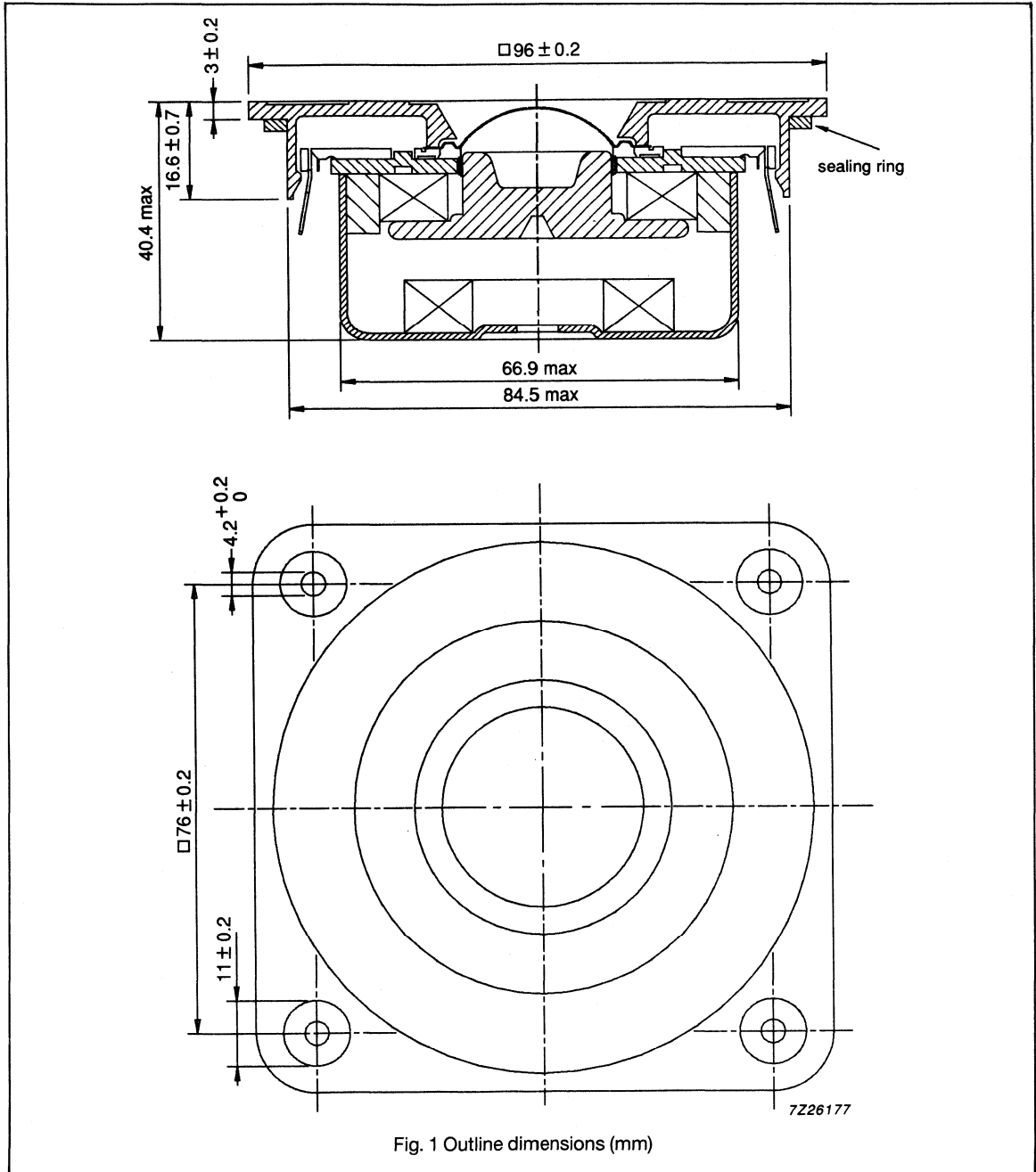


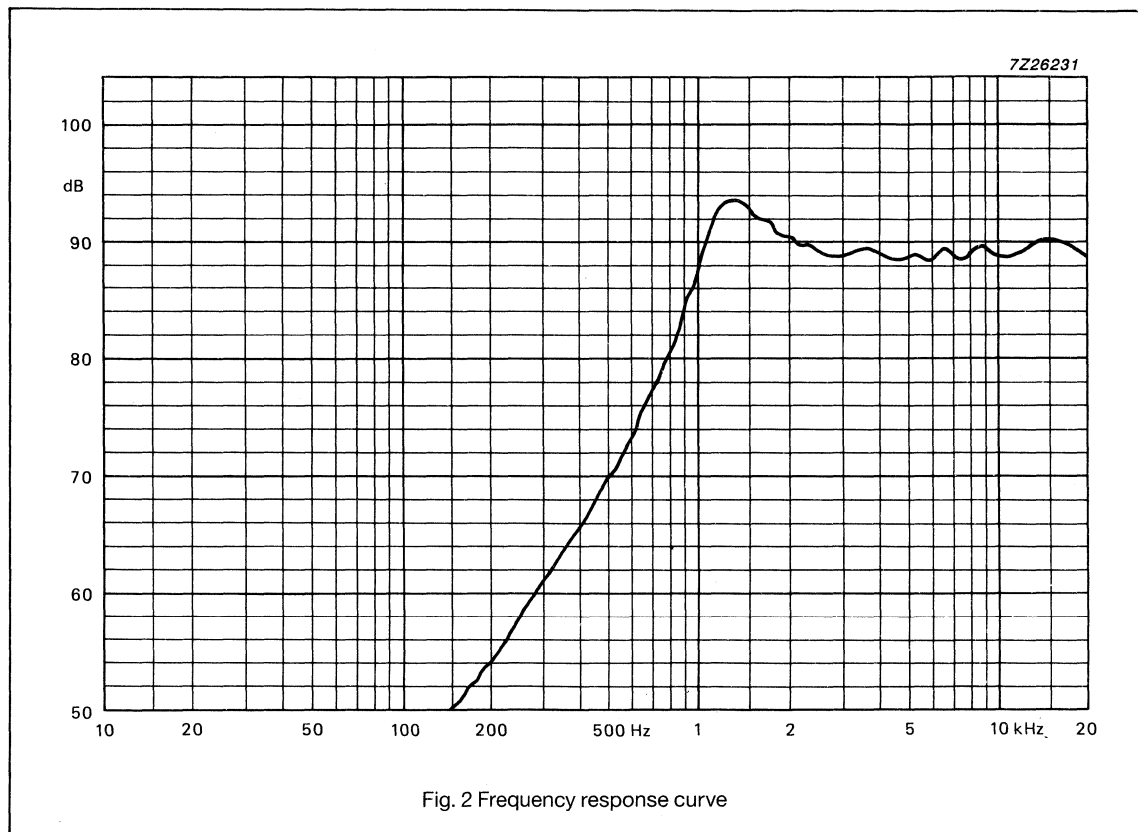
Fig. 1 Outline dimensions (mm)

# 25 mm Dome Tweeter

AD 11802/T8

## FREQUENCY RESPONSE CURVES

Frequency response curves have been measured on an axis at a distance of 1 m with 1 W input power.



Catalogue number: 2422 257 43316

Data sheet	
status	Product specification
date of issue	November 1989

# 00 00401/T4

## 18 mm Dome Tweeter

### APPLICATION

Dome tweeter, loudspeaker for audio applications.

### DESCRIPTION

- |               |                                      |
|---------------|--------------------------------------|
| • Front plate | material: plastic<br>finish: texture |
| • Membrane    | colour: black<br>material: polyester |
| • Gasket      | material: foam<br>position: rear     |

### TECHNICAL DATA

<b>Unmounted</b>		
Rated impedance	4	Ω
Voice coil resistance	3.0	Ω
Resonance frequency	950	Hz
Sweep voltage	2	V
Magnetic flux density	1.30	T
Loudspeaker mass	390	g
<b>Mounted</b>		
Characteristic sensitivity	92	dB/W/m
Maximum noise power (PHC)	4	W

# 18 mm Dome Tweeter

00 00401/T4

## MECHANICAL DATA

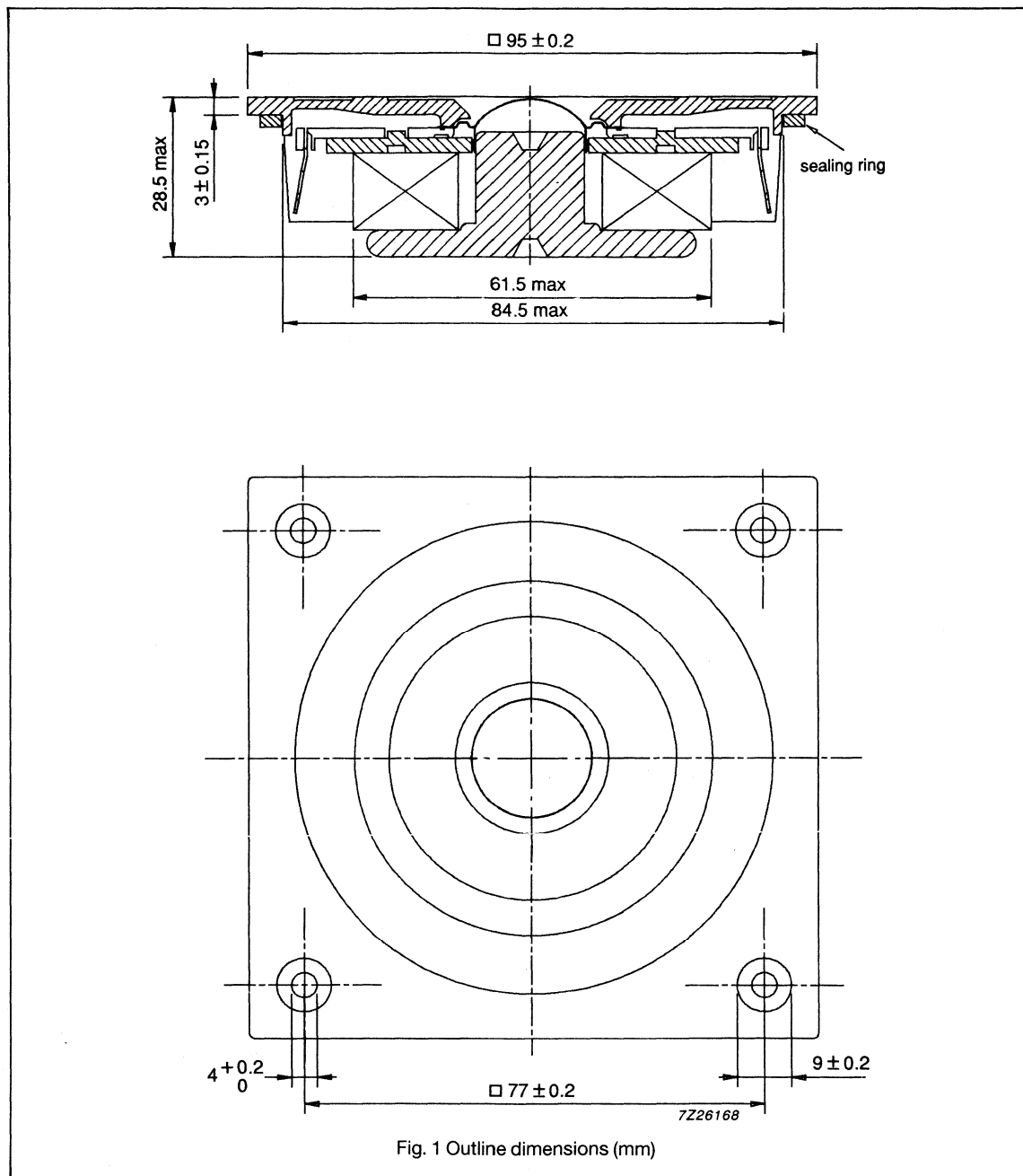
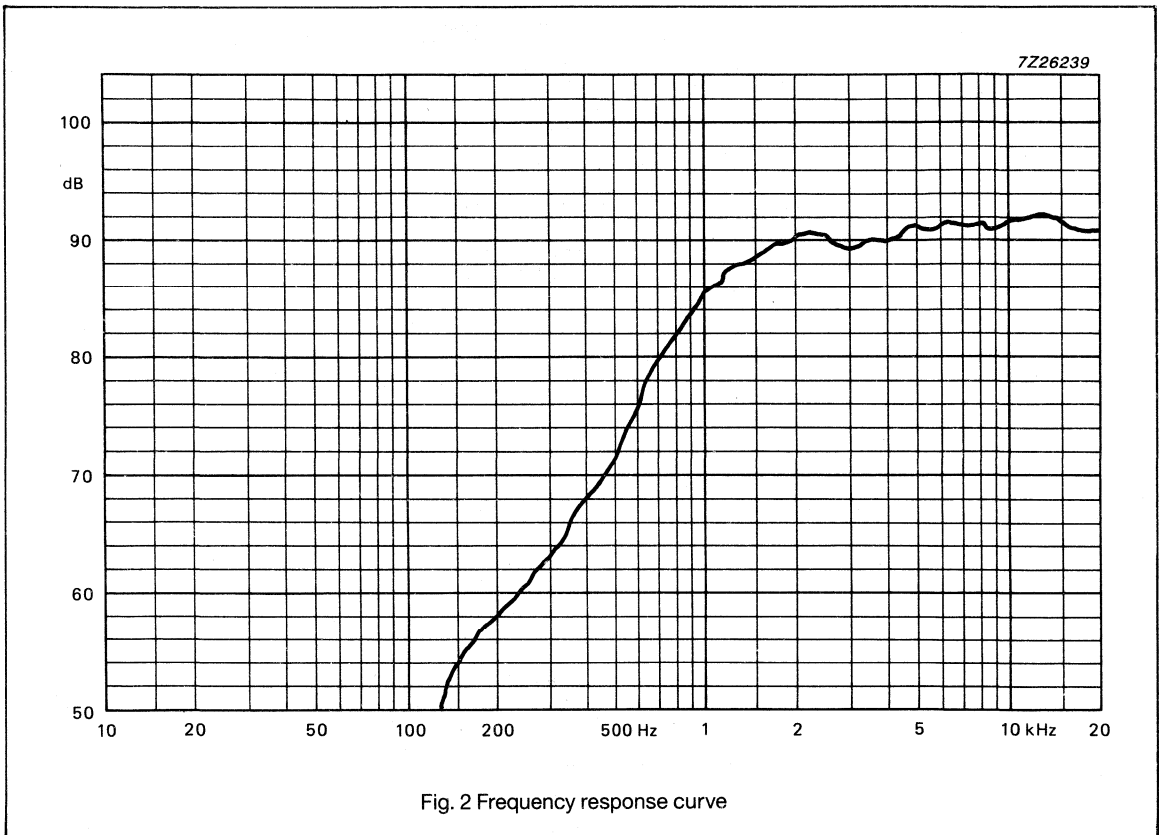


Fig. 1 Outline dimensions (mm)

**18 mm Dome Tweeter****00 00401/T4****FREQUENCY RESPONSE CURVES**

Frequency response curves have been measured on an axis at a distance of 1 m with 1 W input power.



Catalogue number: 2404 257 43606

## Philips Components

Data sheet	
status	Product specification
date of issue	May 1990

# AD 0140 series 25 mm Dome Tweeter

### APPLICATION

Dome Tweeter, loudspeaker for audio applications.

### DESCRIPTION

- |               |  |
|---------------|--|
| • Front plate | material: plastic<br>finish: texture     |
| • Membrane    | colour: black<br>material: polycarbonate |
| • Gasket      | none                                     |

### TECHNICAL DATA

	version		unit
	/T4	/T8	
<b>Unmounted</b>			
Rated impedance	4	8	$\Omega$
Voice coil resistance	3.4	6.3	$\Omega$
Resonance frequency	1200		Hz
Sweep voltage	3	4.5	V
Magnetic flux density	0.9		T
Loudspeaker mass	250		g
<b>Mounted</b>			
Characteristic sensitivity	89		dB/W/m
Maximum noise power (PHC)	4		W

25 mm Dome Tweeter

AD 0140 series

MECHANICAL DATA

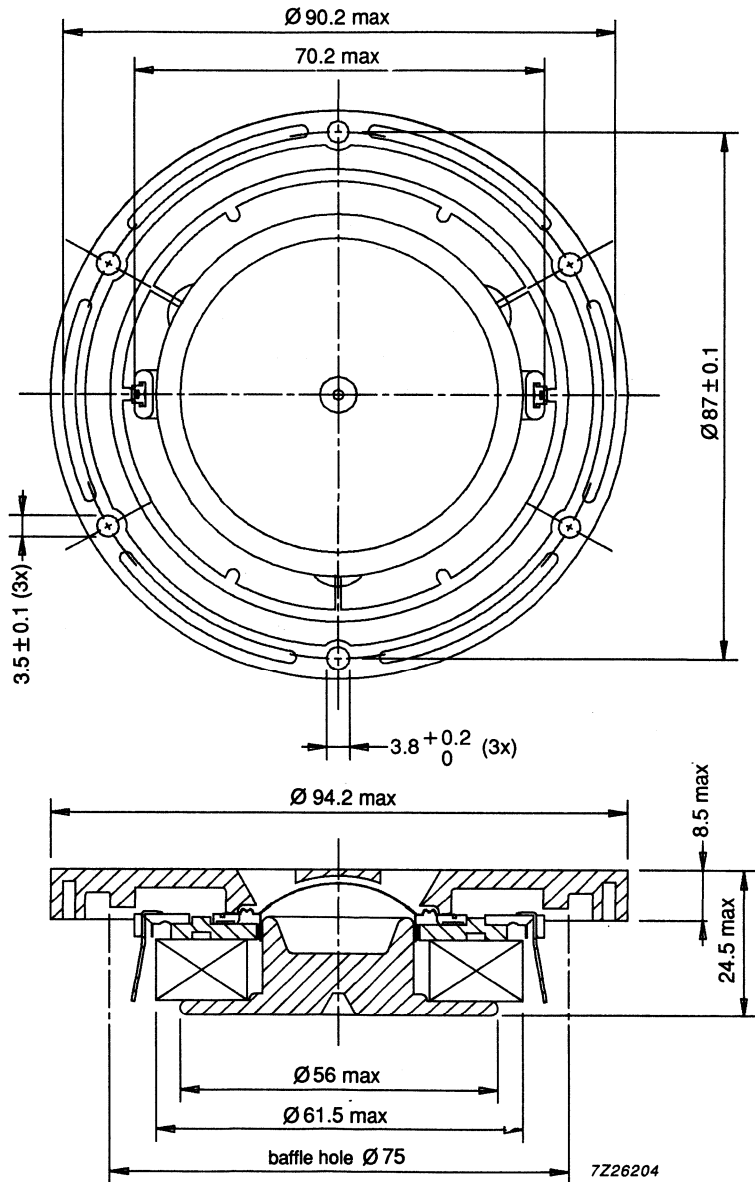
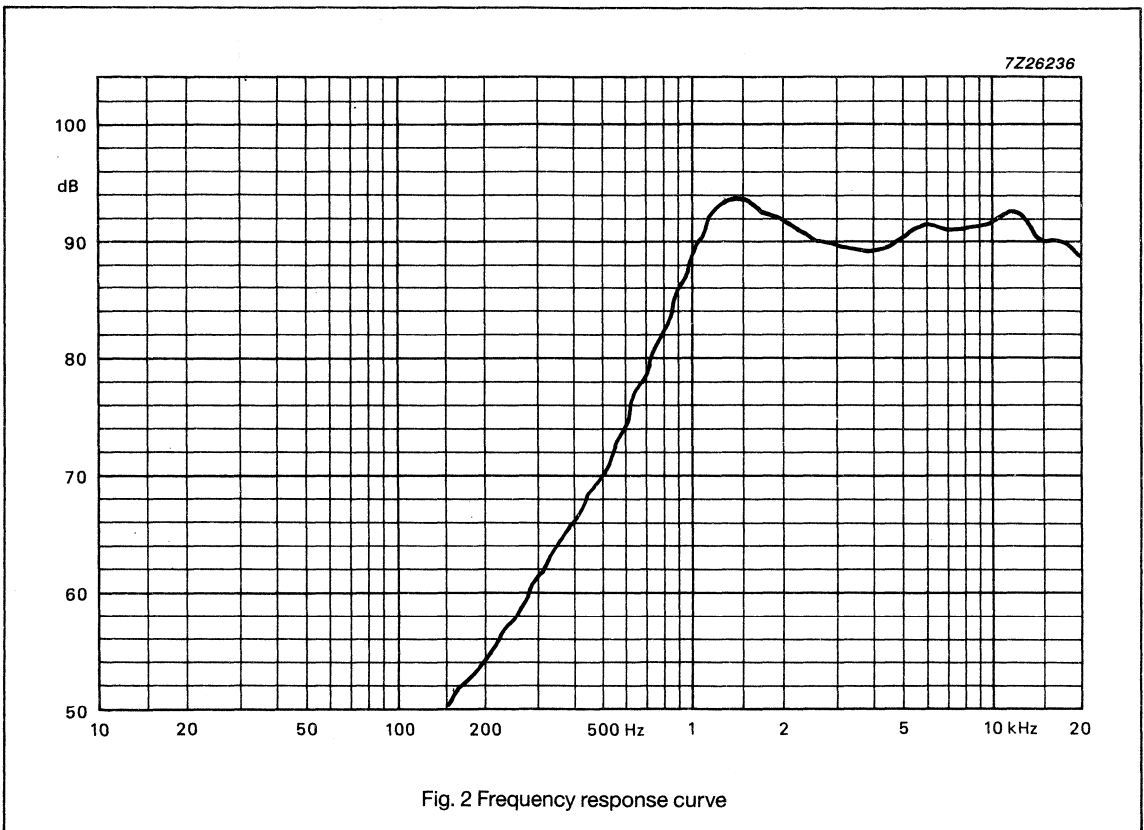


Fig. 1 Outline dimensions (mm)

**25 mm Dome Tweeter****AD 0140 series****FREQUENCY RESPONSE CURVES**

Frequency response curves have been measured on an axis at a distance of 1 m with 1 W input power.



Catalogue number: 2422 257 33201  
2422 257 33202



# AD 11400 series

## 25 mm Dome Tweeter

Data sheet	
status	Product specification
date of issue	November 1989

### APPLICATION

Dome Tweeter, loudspeaker for audio applications.

### DESCRIPTION

• Front plate	material: plastic finish: texture
• Membrane	colour: black material: textile
• Gasket	material: foam position: rear

### TECHNICAL DATA

	version		unit
	/T4	/T8	
<b>Unmounted</b>			
Rated impedance	4	8	Ω
Voice coil resistance	3.4	6.3	Ω
Resonance frequency	1500		Hz
Sweep voltage	1.5	2.1	V
Magnetic flux density	0.98		T
Loudspeaker mass	290		g
<b>Mounted</b>			
Characteristic sensitivity	91		dB/W/m
Maximum noise power (PHC)	4		W

25 mm Dome Tweeter

AD 11400 series

MECHANICAL DATA

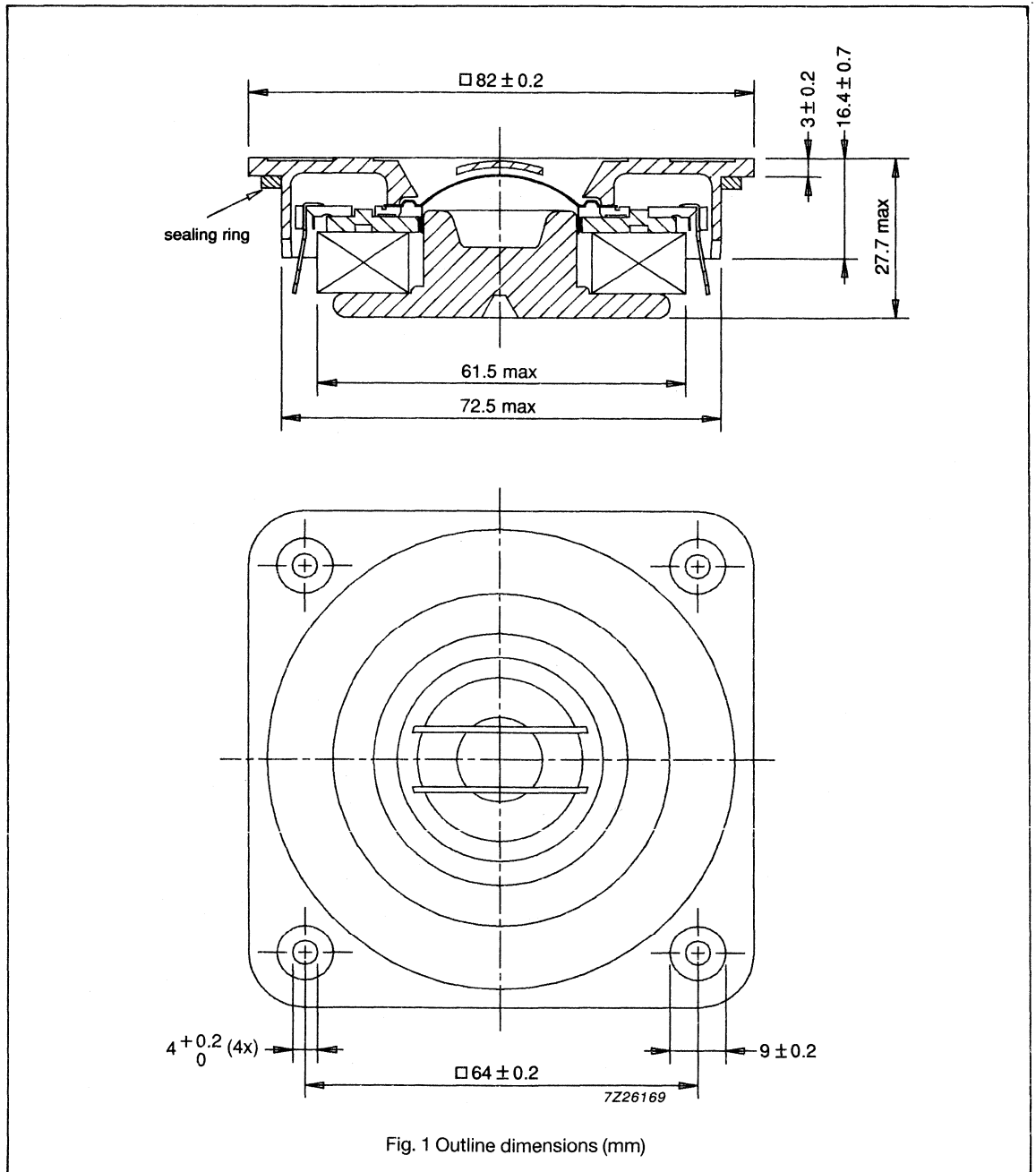
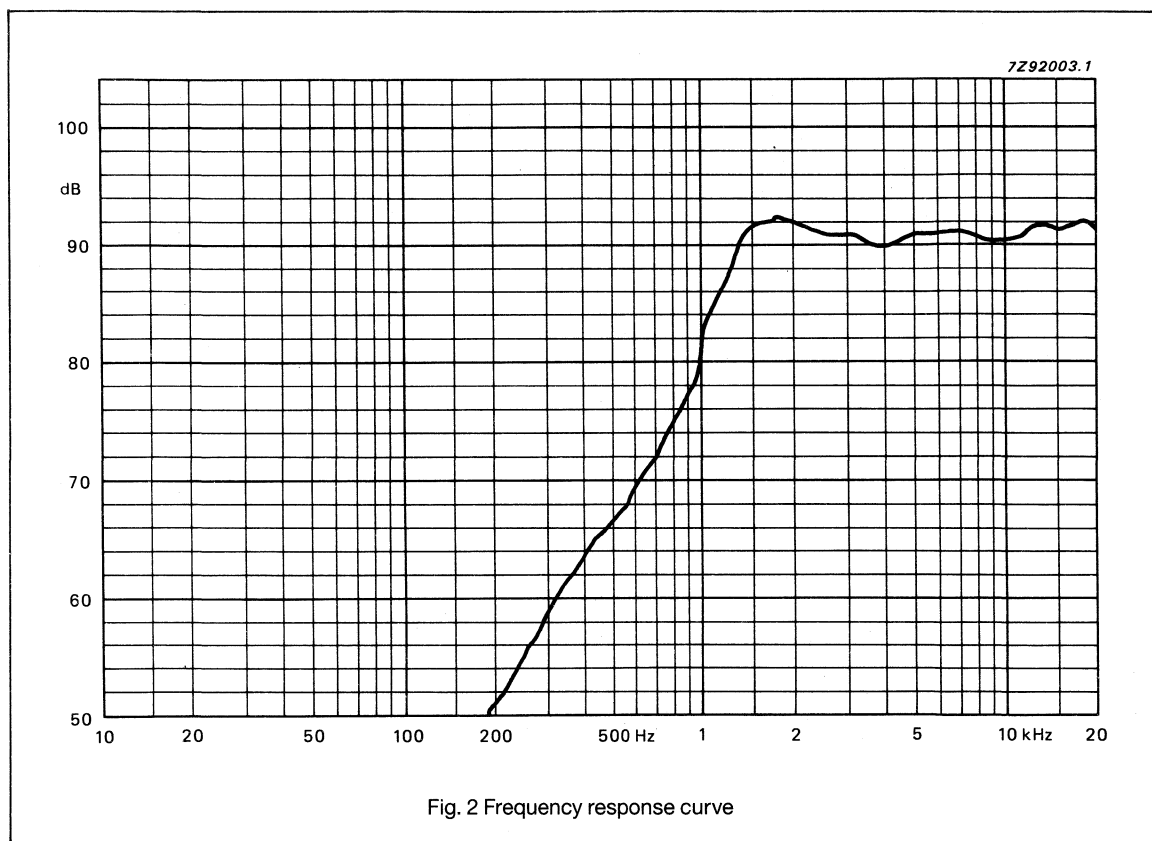


Fig. 1 Outline dimensions (mm)

**25 mm Dome Tweeter****AD 11400 series****FREQUENCY RESPONSE CURVES**

Frequency response curves have been measured on an axis at a distance of 1 m with 1 W input power.



Catalogue number: 2422 257 43401  
2422 257 43402

**Philips Components**

# AD 11401 series

## 25 mm Dome Tweeter

Data sheet	
status	Product specification
date of issue	September 1989

**APPLICATION**

Dome Tweeter, loudspeaker for audio applications.

**DESCRIPTION**

- |               |                                      |
|---------------|--------------------------------------|
| • Front plate | material: plastic<br>finish: texture |
| • Membrane    | colour: black<br>material: polyester |
| • Gasket      | material: foam<br>position: rear     |

**TECHNICAL DATA**

	version		unit
	/T4	/T8	
<b>Unmounted</b>			
Rated impedance	4	8	Ω
Voice coil resistance	3.4	6.3	Ω
Resonance frequency	1050		Hz
Sweep voltage	2	3	V
Magnetic flux density	0.98		T
Loudspeaker mass	370		g
<b>Mounted</b>			
Characteristic sensitivity	90		dB/W/m
Maximum noise power (PHC)	6		W

**25 mm Dome Tweeter**

**AD 11401 series**

**MECHANICAL DATA**

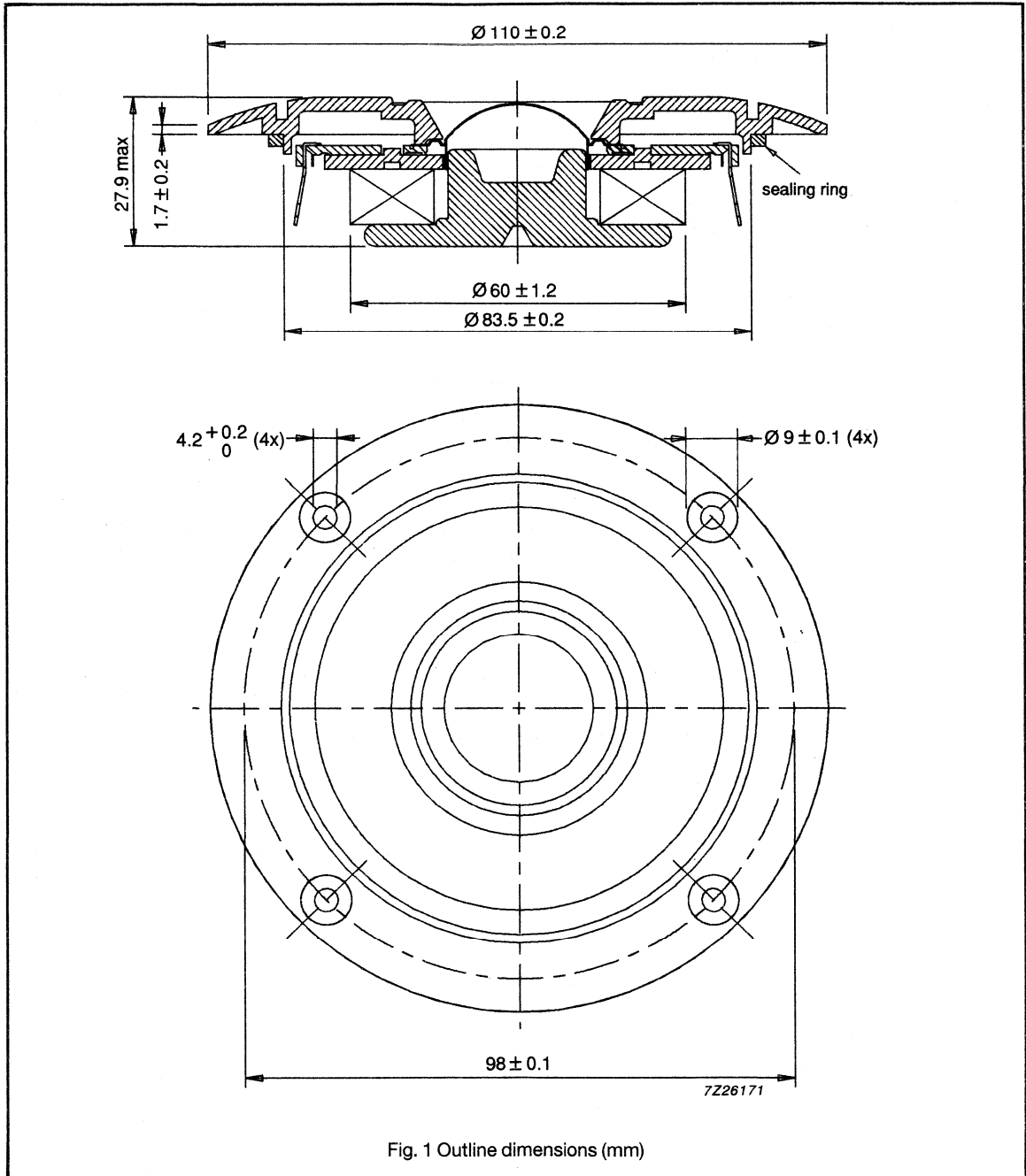


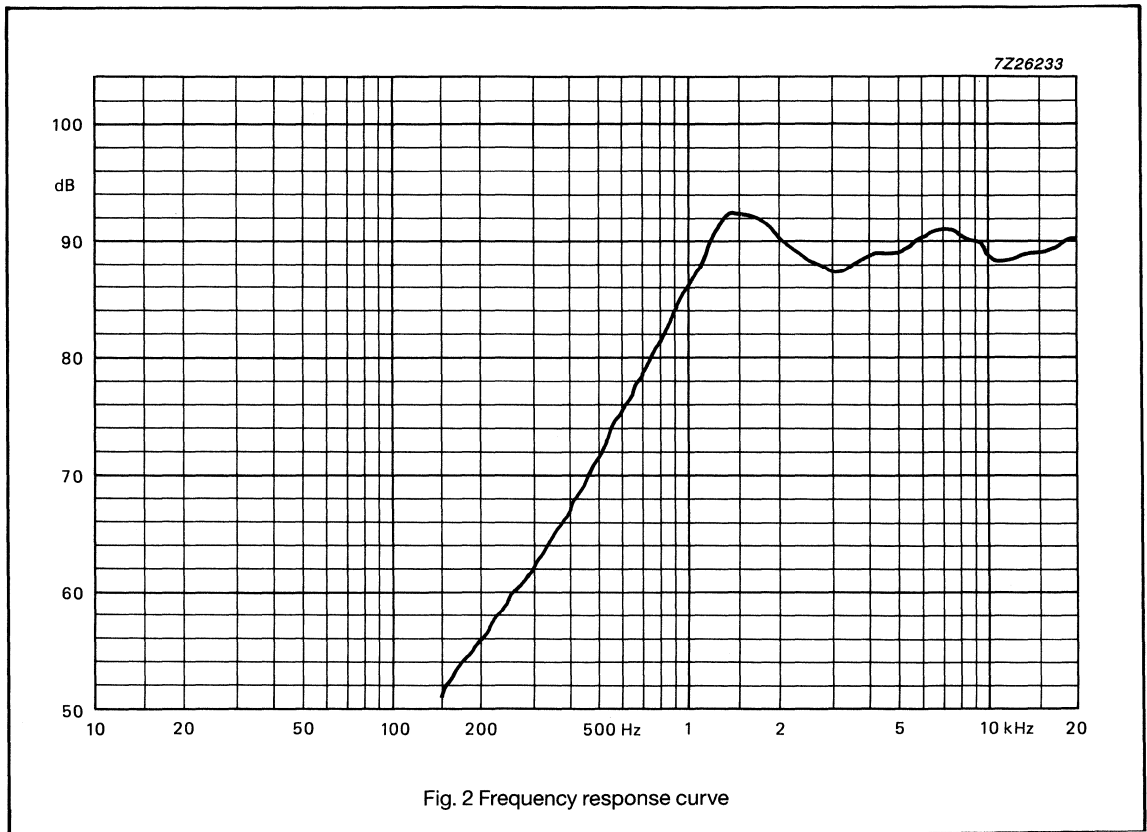
Fig. 1 Outline dimensions (mm)

**25 mm Dome Tweeter**

**AD 11401 series**

**FREQUENCY RESPONSE CURVES**

Frequency response curves have been measured on an axis at a distance of 1 m with 1 W input power.



Catalogue number: 2422 257 43416  
2422 257 43417

## Philips Components

Data sheet	
status	Product specification
date of issue	May 1990

# 00 11601/T4

## 25 mm Dome Tweeter

### APPLICATION

Dome tweeter, loudspeaker for audio applications.

### DESCRIPTION

• Front plate	material: plastic finish: texture
• Membrane	colour: black material: polyester
• Gasket	material: foam position: rear

### TECHNICAL DATA

<b>Unmounted</b>		
Rated impedance	4	$\Omega$
Voice coil resistance	3.4	$\Omega$
Resonance frequency	950	Hz
Sweep voltage	2	V
Magnetic flux density	1.30	T
Loudspeaker mass	560	g
<b>Mounted</b>		
Characteristic sensitivity	92	dB/W/m
Maximum noise power (PHC)	6	W

# 25 mm Dome Tweeter

00 11601/T4

## MECHANICAL DATA

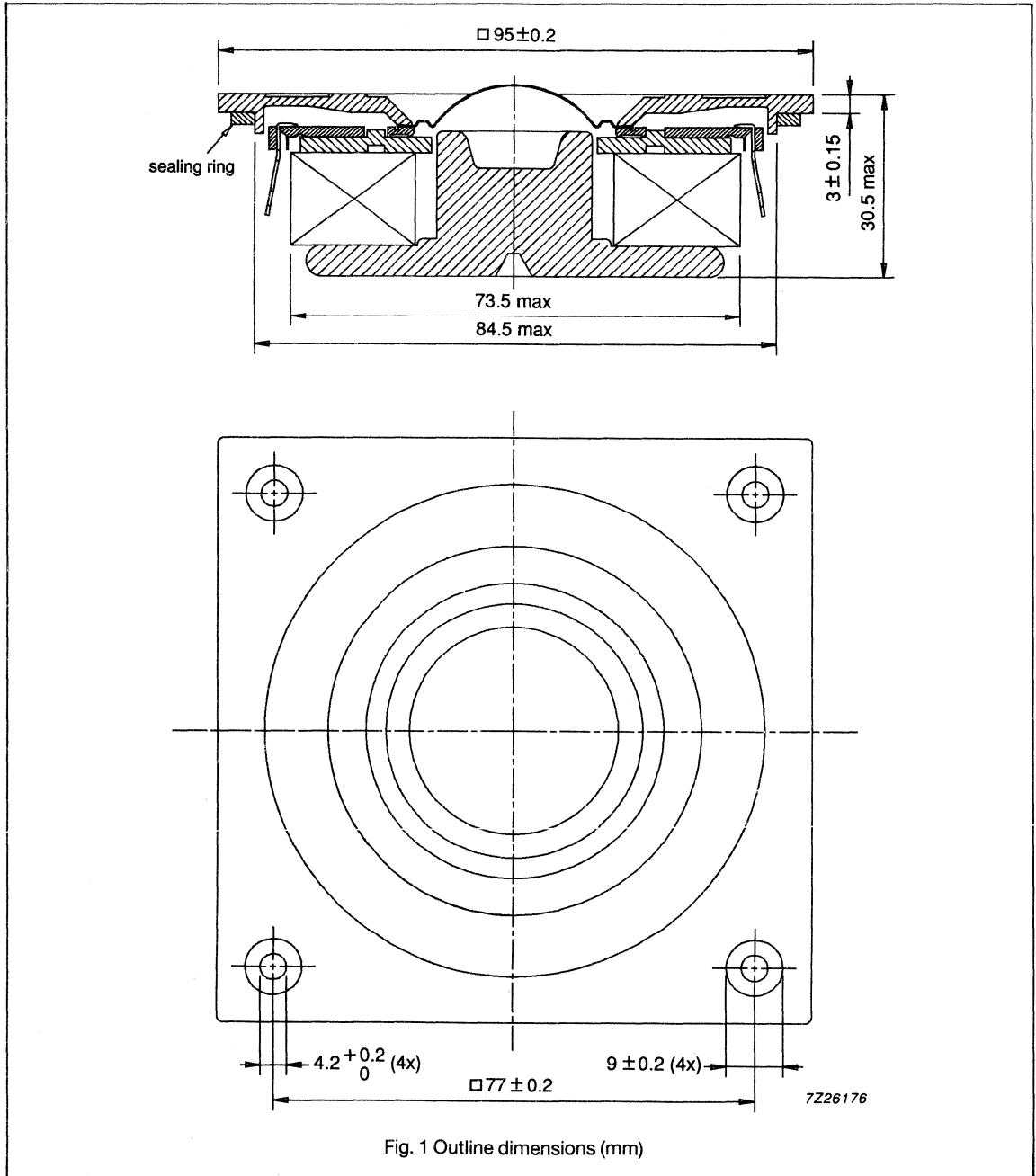
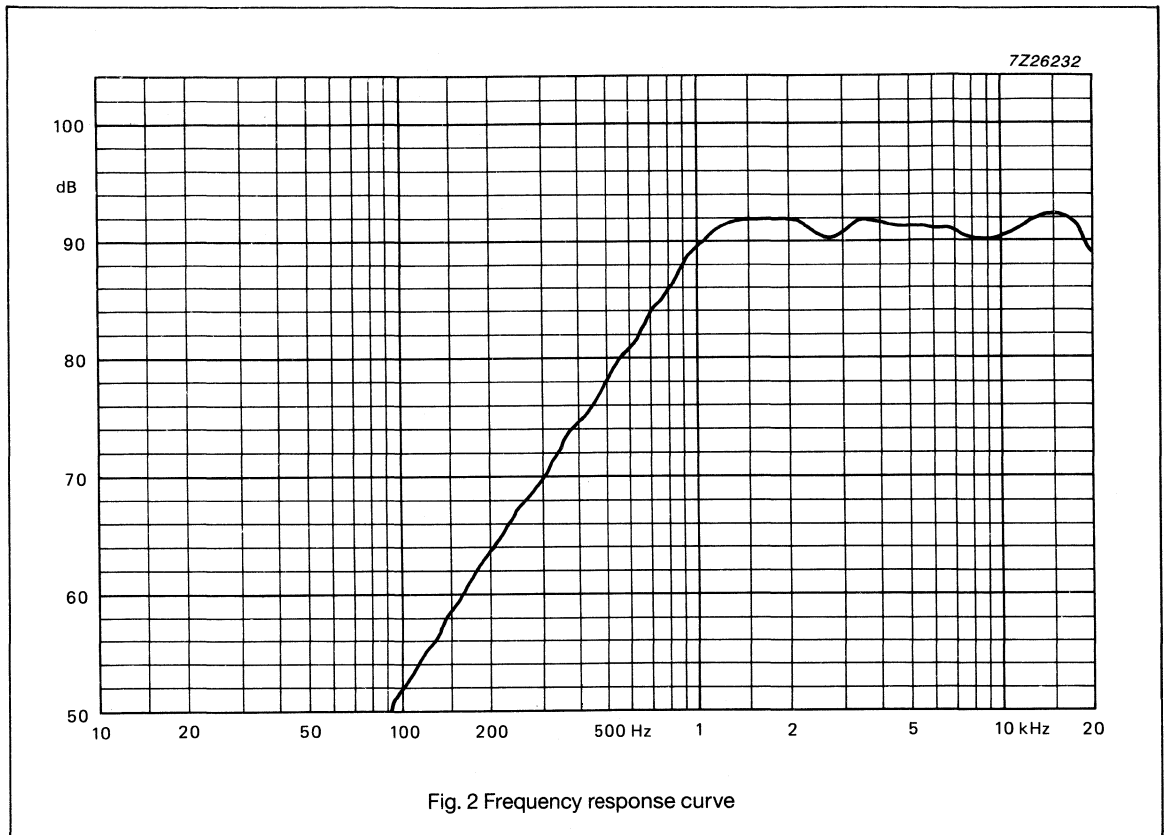


Fig. 1 Outline dimensions (mm)



**25 mm Dome Tweeter****00 11601/T4****FREQUENCY RESPONSE CURVES**

Frequency response curves have been measured on an axis at a distance of 1 m with 1 W input power.



Catalogue number: 2404 257 43506

**Philips Components**

**AD 0162 series  
25 mm Dome Tweeter**

Data sheet	
status	Product specification
date of issue	September 1989

**APPLICATION**

Dome Tweeter, loudspeaker for audio applications.

**DESCRIPTION**

• Front plate	material: plastic finish: texture
• Membrane	colour: black material: polycarbonate
• Gasket	none

**TECHNICAL DATA**

	version		unit
	/T4	/T8	
<b>Unmounted</b>			
Rated impedance	4	8	Ω
Voice coil resistance	3.4	6.3	Ω
Resonance frequency	1000		Hz
Sweep voltage	3.2	4.5	V
Magnetic flux density	1.2		T
Loudspeaker mass	500		g
<b>Mounted</b>			
Characteristic sensitivity	93		dB/W/m
Maximum noise power (PHC)	4		W

25 mm Dome Tweeter

AD 0162 series

MECHANICAL DATA

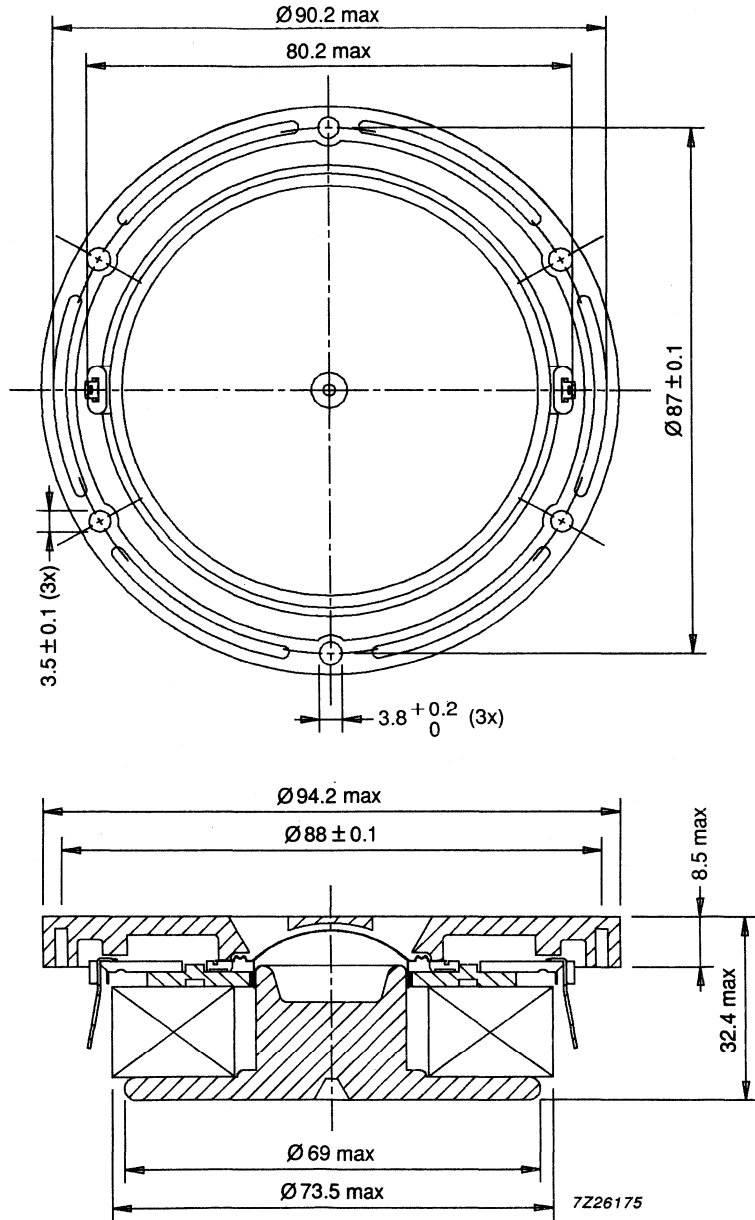


Fig. 1 Outline dimensions (mm)

**25 mm Dome Tweeter****AD 0162 series****FREQUENCY RESPONSE CURVES**

Frequency response curves have been measured on an axis at a distance of 1 m with 1 W input power.

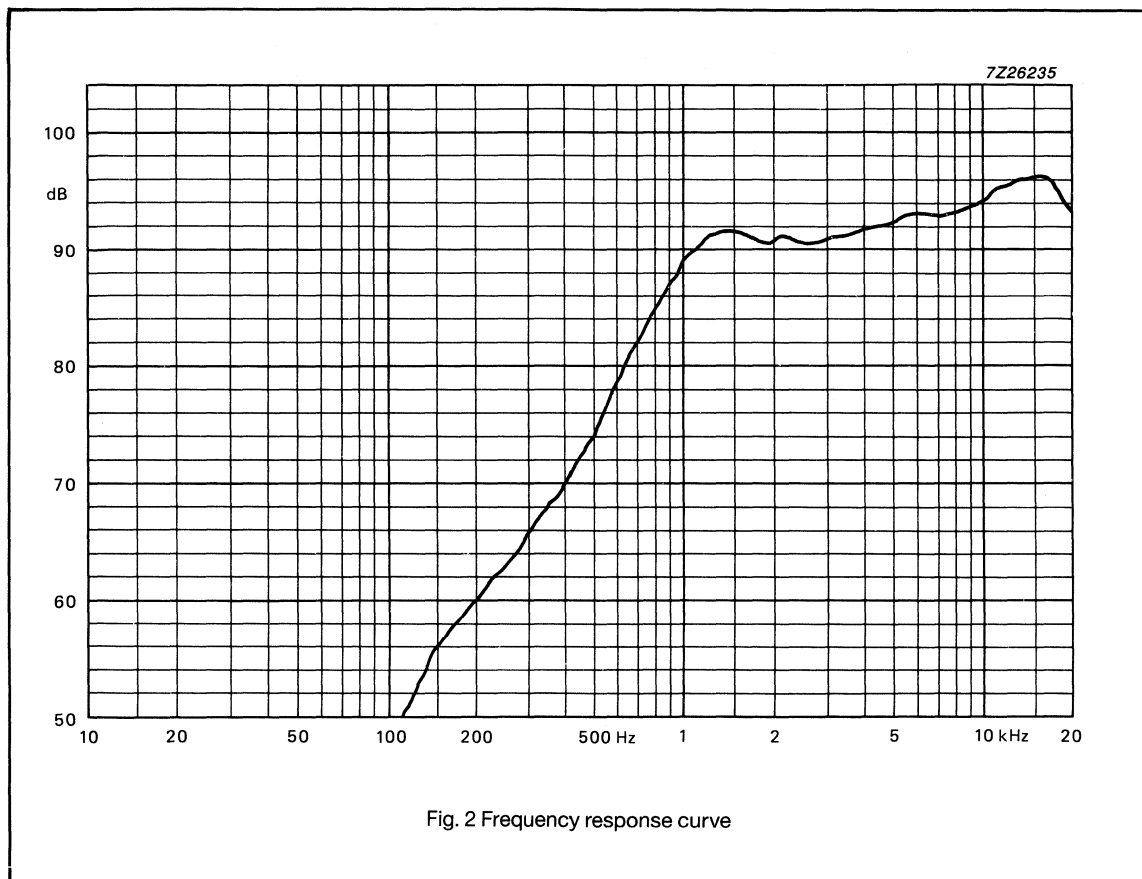


Fig. 2 Frequency response curve

Catalogue number: 2422 257 33311  
2422 257 33312

Data sheet	
status	Product specification
date of issue	September 1989

# AD 0163 series

## 25 mm Dome Tweeter

### APPLICATION

Dome Tweeter, loudspeaker for audio applications.

### DESCRIPTION

- |               |                                      |
|---------------|--------------------------------------|
| • Front plate | material: plastic<br>finish: texture |
| • Membrane    | colour: black<br>material: textile   |
| • Gasket      | none                                 |

### TECHNICAL DATA

	version		unit
	/T4	/T8	
<b>Unmounted</b>			
Rated impedance	4	8	$\Omega$
Voice coil resistance	3.4	6.3	$\Omega$
Resonance frequency	1300		Hz
Sweep voltage	3.2	4.5	V
Magnetic flux density	1.2		T
Loudspeaker mass	500		g
<b>Mounted</b>			
Characteristic sensitivity	91		dB/W/m
Maximum noise power (PHC)	4		W

# 25 mm Dome Tweeter

# AD 0163 series

## MECHANICAL DATA

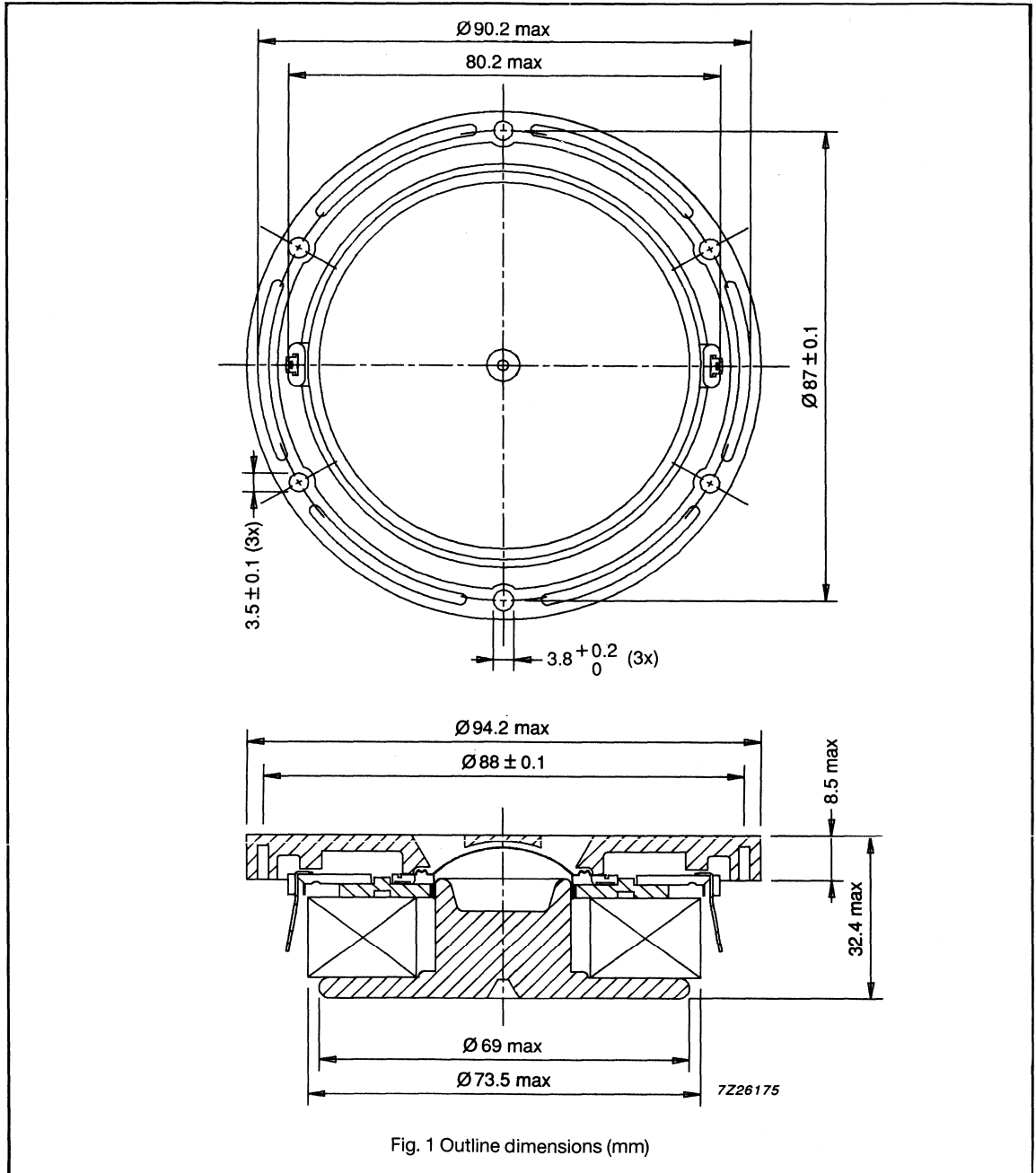
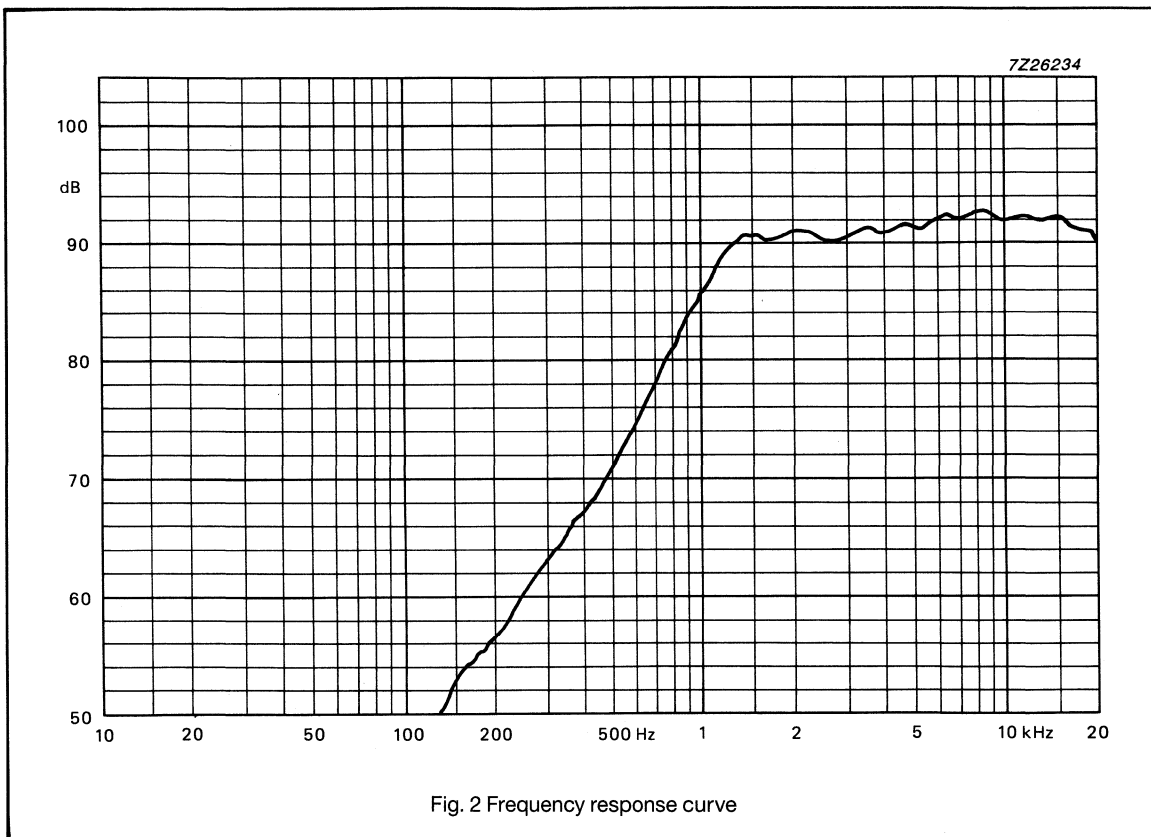


Fig. 1 Outline dimensions (mm)

**25 mm Dome Tweeter****AD 0163 series****FREQUENCY RESPONSE CURVES**

Frequency response curves have been measured on an axis at a distance of 1 m with 1 W input power.



Catalogue number: 2422 257 33401  
2422 257 33402

Data sheet	
status	Product specification
date of issue	December 1989

# AD 11600 series 25 mm Dome Tweeter

## APPLICATION

Dome Tweeter, loudspeaker for audio applications.

## DESCRIPTION

- |               |                                      |
|---------------|--------------------------------------|
| • Front plate | material: plastic<br>finish: texture |
| • Membrane    | colour: black<br>material: textile   |
| • Gasket      | material: foam<br>position: rear     |

## TECHNICAL DATA

	version		unit
	/T4	/T8	
<b>Unmounted</b>			
Rated impedance	4	8	Ω
Voice coil resistance	3.4	6.3	Ω
Resonance frequency	1300		Hz
Sweep voltage	1.1	1.5	V
Magnetic flux density	1.3		T
Loudspeaker mass	570		g
<b>Mounted</b>			
Characteristic sensitivity	95		dB/W/m
Maximum noise power (PHC)	4		W



25 mm Dome Tweeter

AD 11600 series

MECHANICAL DATA

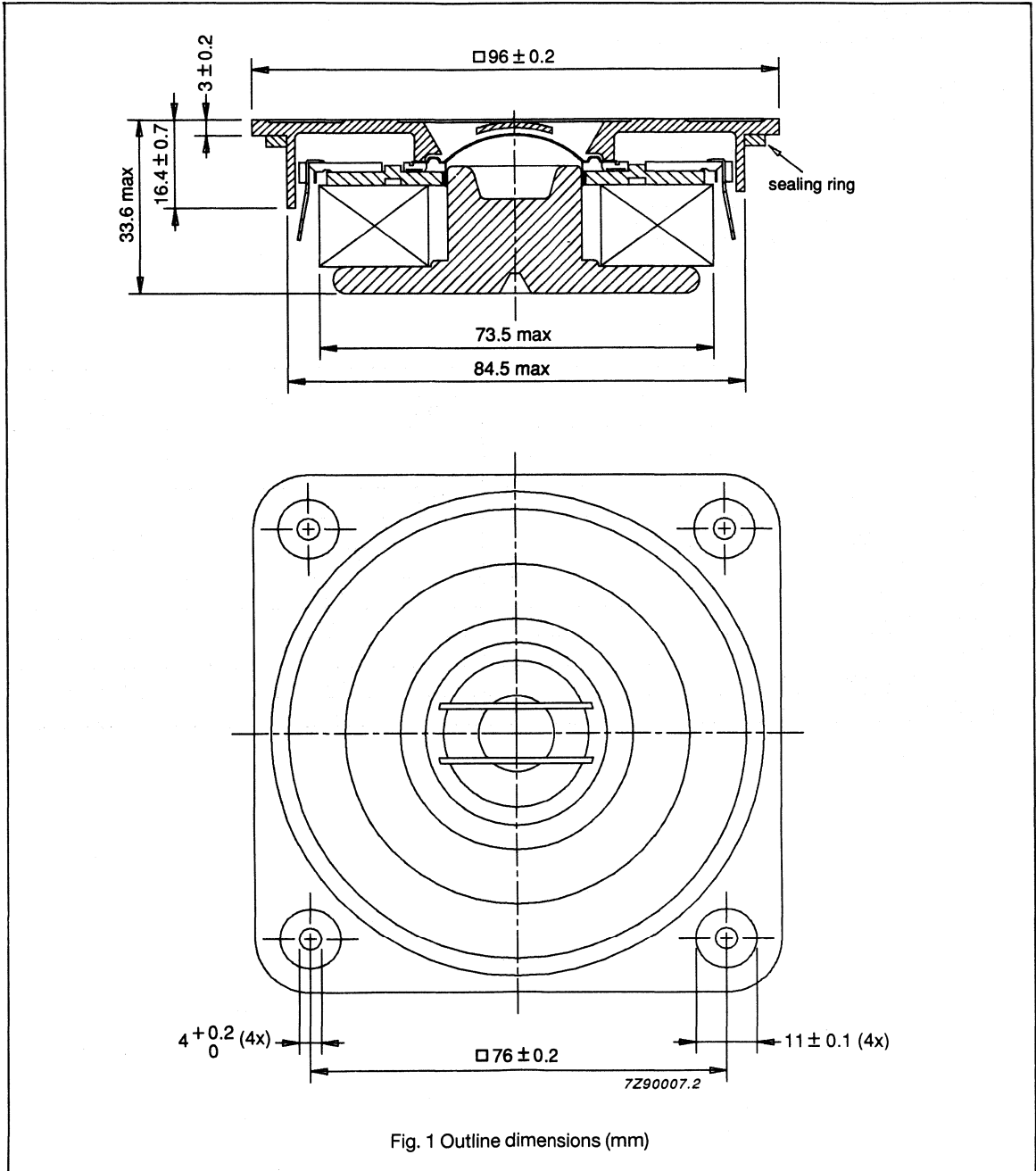


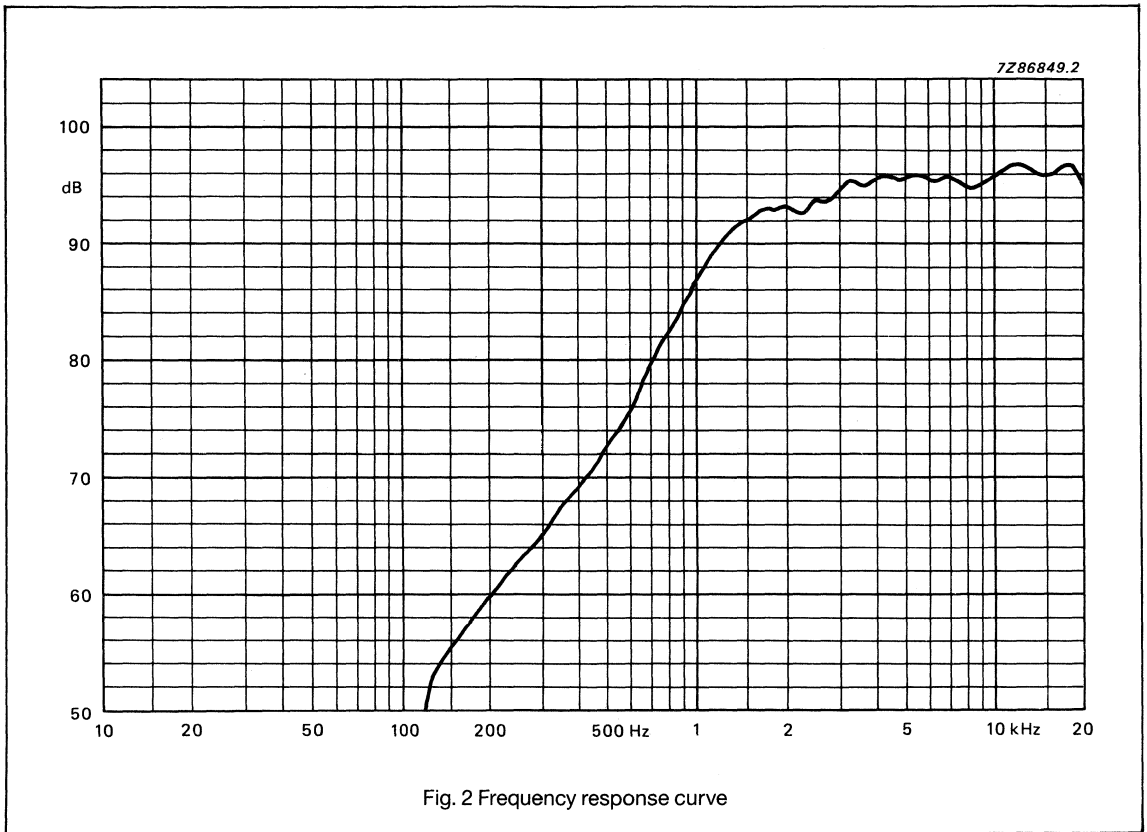
Fig. 1 Outline dimensions (mm)

# 25 mm Dome Tweeter

# AD 11600 series

## FREQUENCY RESPONSE CURVES

Frequency response curves have been measured on an axis at a distance of 1 m with 1 W input power.



Catalogue number: 2422 257 43501  
2422 257 43502

# AD 11610 series 25 mm Dome Tweeter

Data sheet	
status	Product specification
date of issue	November 1989

## APPLICATION

Dome Tweeter, loudspeaker for audio applications.

## DESCRIPTION

• Front plate	material: plastic finish: texture
• Membrane	colour: black material: polycarbonate
• Gasket	material: foam position: rear

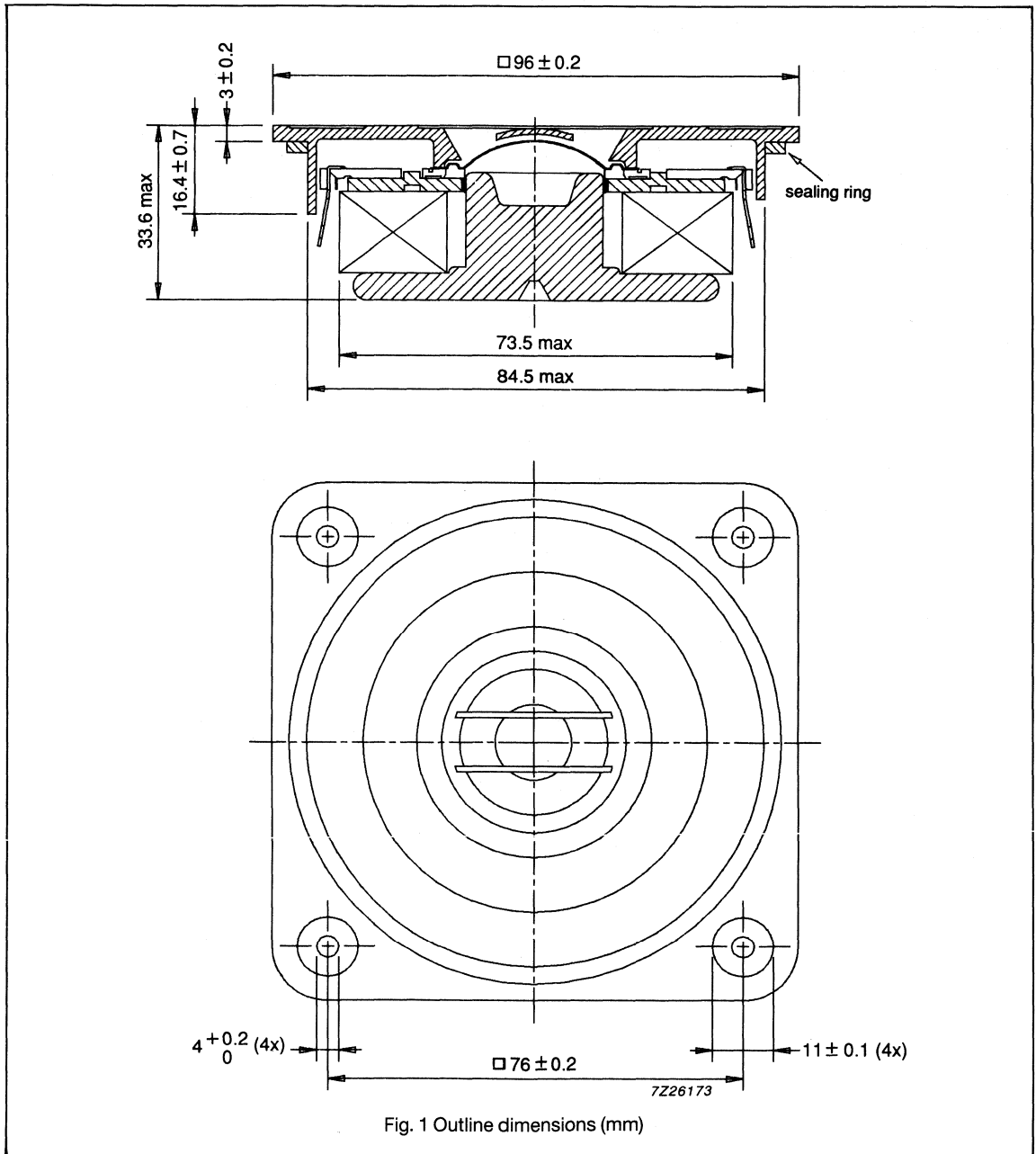
## TECHNICAL DATA

	version		unit
	/T4	/T8	
<b>Unmounted</b>			
Rated impedance	4	8	$\Omega$
Voice coil resistance	3.4	6.3	$\Omega$
Resonance frequency	1300		Hz
Sweep voltage	1.1	1.5	V
Magnetic flux density	1.3		T
Loudspeaker mass	570		g
<b>Mounted</b>			
Characteristic sensitivity	95		dB/W/m
Maximum noise power (PHC)	4		W

25 mm Dome Tweeter

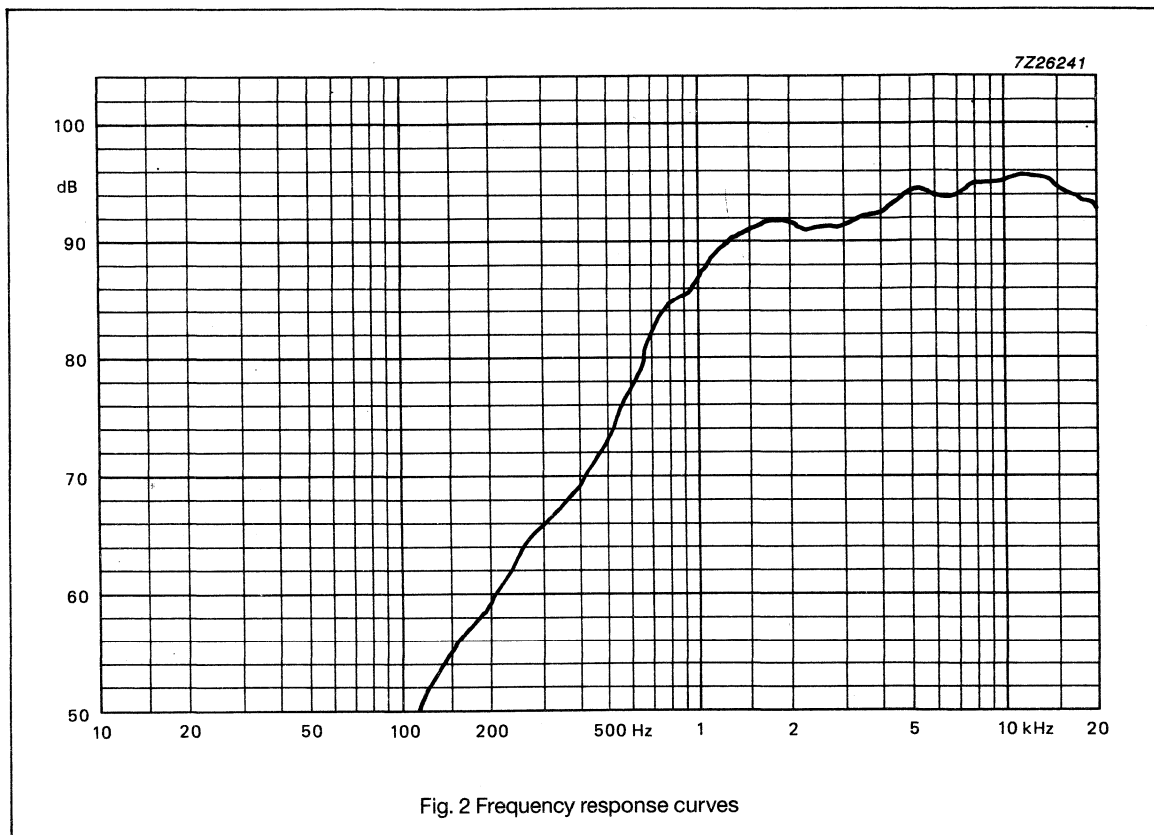
AD 11610 series

MECHANICAL DATA



**25 mm Dome Tweeter****AD 11610 series****FREQUENCY RESPONSE CURVES**

Frequency response curves have been measured on an axis at a distance of 1 m with 1 W input power.



Catalogue number: 2422 257 43504  
2422 257 43505

**Philips Components**

<b>Data sheet</b>	
<b>status</b>	Product specification
<b>date of issue</b>	September 1989

# AD 00972/T4

## 25 mm Dome Tweeter

**APPLICATION**

Dome tweeter, loudspeaker for audio, video applications and coaxials. The magnet system has an M3 fixing hole.

**DESCRIPTION**

• Front plate	material: plastic finish: none
• Membrane	colour: black material: polycarbonate
• Gasket	none

**TECHNICAL DATA**

<b>Unmounted</b>		
Rated impedance	4	$\Omega$
Voice coil resistance	3	$\Omega$
Resonance frequency	max. 2100	Hz
Sweep voltage	2.0	V
Magnetic flux density	0.8	T
Loudspeaker mass	35	g
<b>Mounted</b>		
Characteristic sensitivity	90	dB/W/m
Maximum noise power (PHC)	1	W

25 mm Dome Tweeter

AD 00972/T4

MECHANICAL DATA

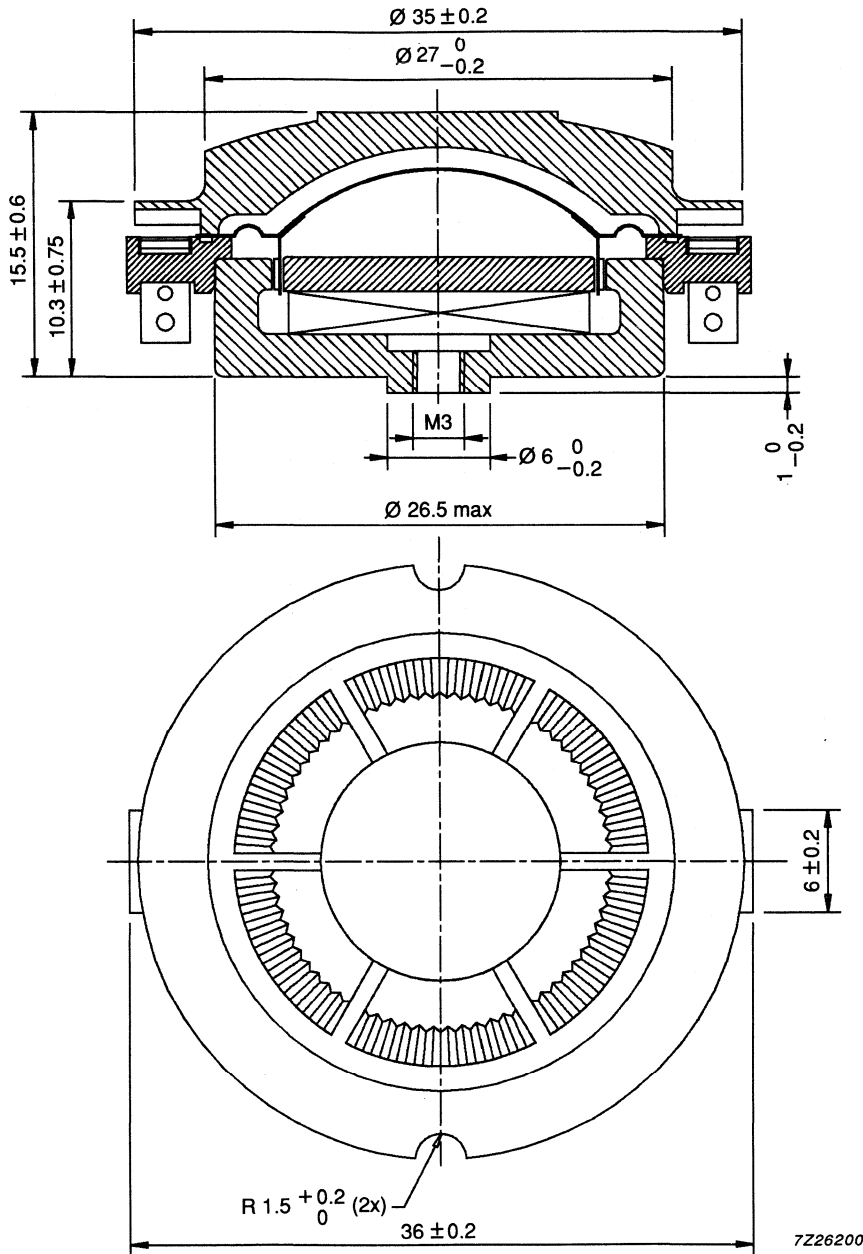


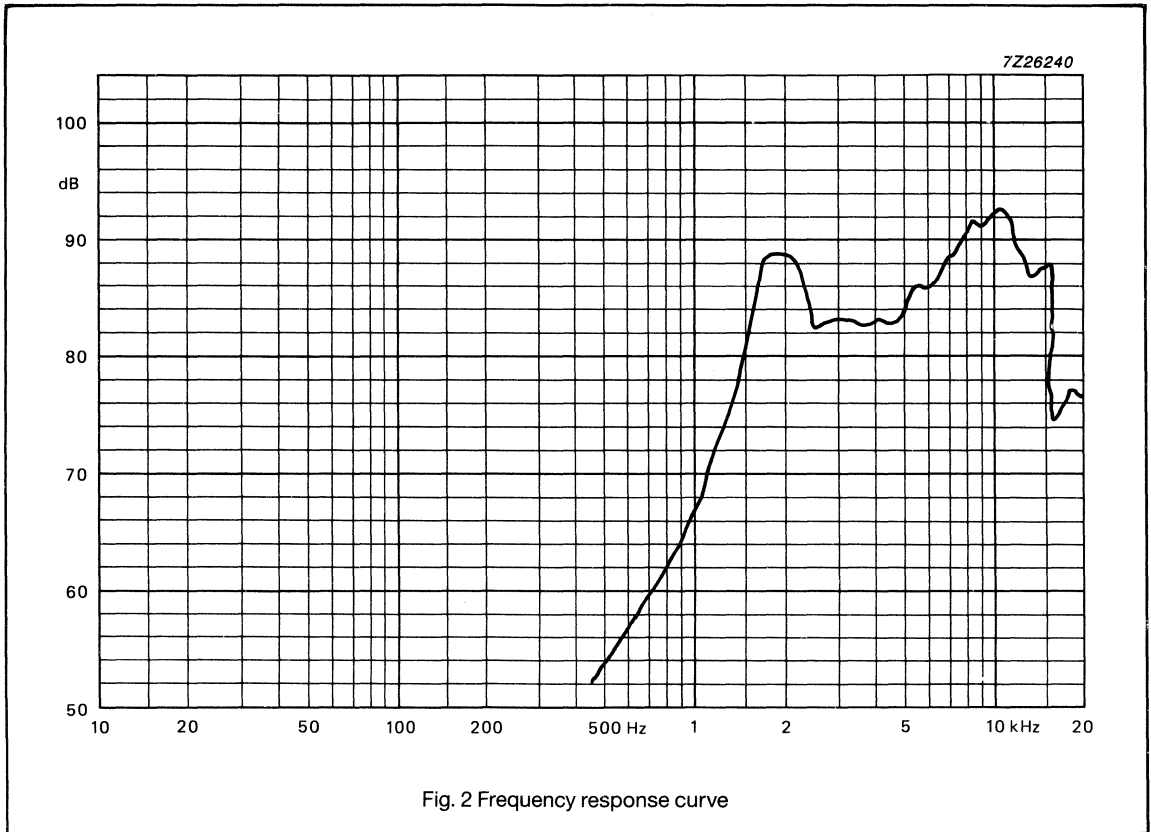
Fig. 1 Outline dimensions (mm)

# 25 mm Dome Tweeter

AD 00972/T4

## FREQUENCY RESPONSE CURVES

Frequency response curves have been measured on an axis at a distance of 1 m with 1 W input power.



Catalogue number: 2404 256 32502



# 00 00960/T8

## 18 mm Dome Tweeter

Data sheet	
status	Product specification
date of issue	May 1990

### APPLICATION

Dome tweeter, loudspeaker for audio, video applications and coaxials. The magnet system has an M3 fixing hole.

### DESCRIPTION

• Front plate	material: plastic finish: texture and lacquer
• Membrane	colour: black material: polycarbonate
• Gasket	none

### TECHNICAL DATA

<b>Unmounted</b>		
Rated impedance	8	$\Omega$
Voice coil resistance	6.3	$\Omega$
Resonance frequency	1700	Hz
Sweep voltage	2.8	V
Magnetic flux density	0.8	T
Loudspeaker mass	56	g
<b>Mounted</b>		
Characteristic sensitivity	92	dB/W/m
Maximum noise power (PHC)	1	W

# 18 mm Dome Tweeter

00 00960/T8

## MECHANICAL DATA

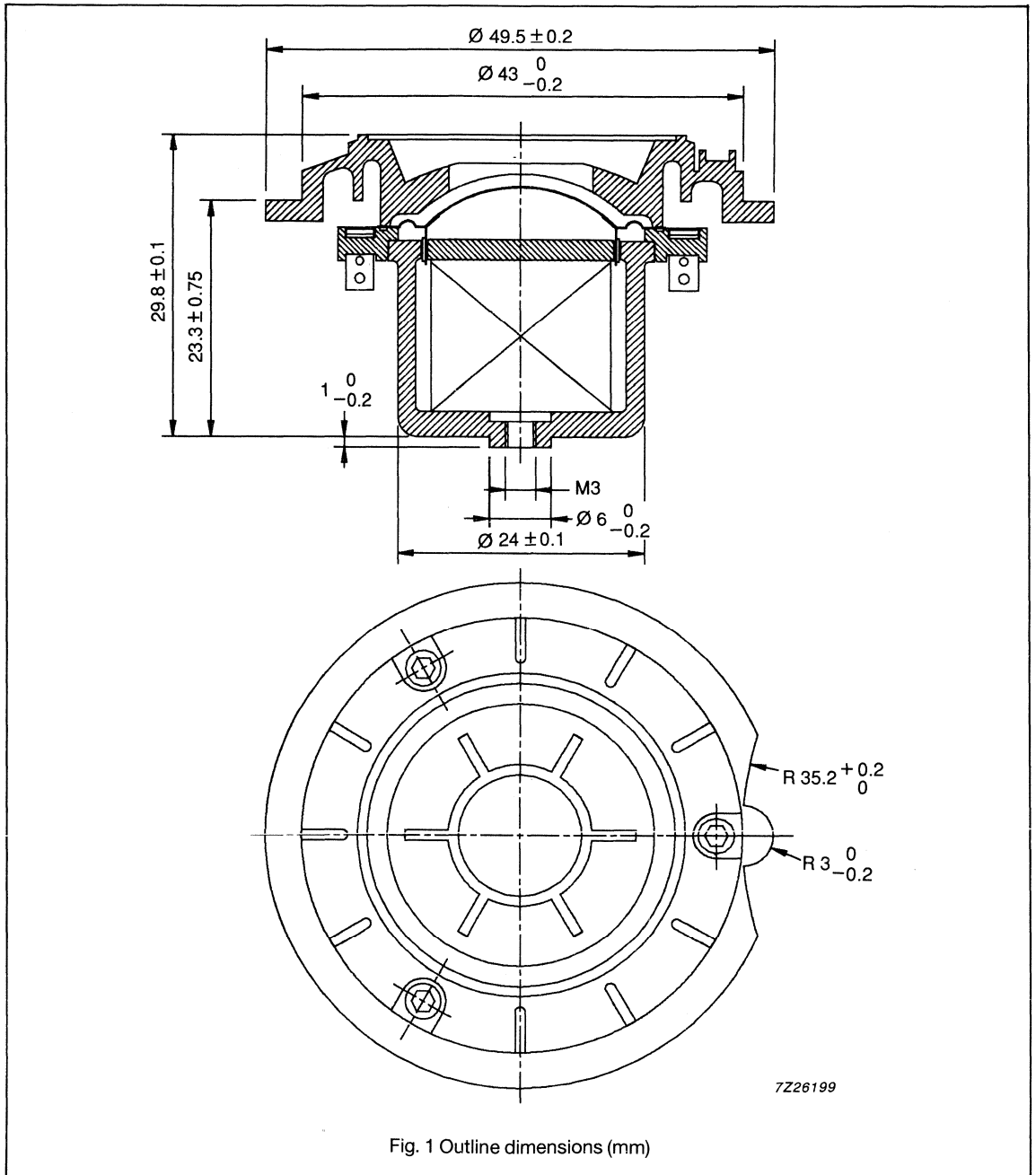
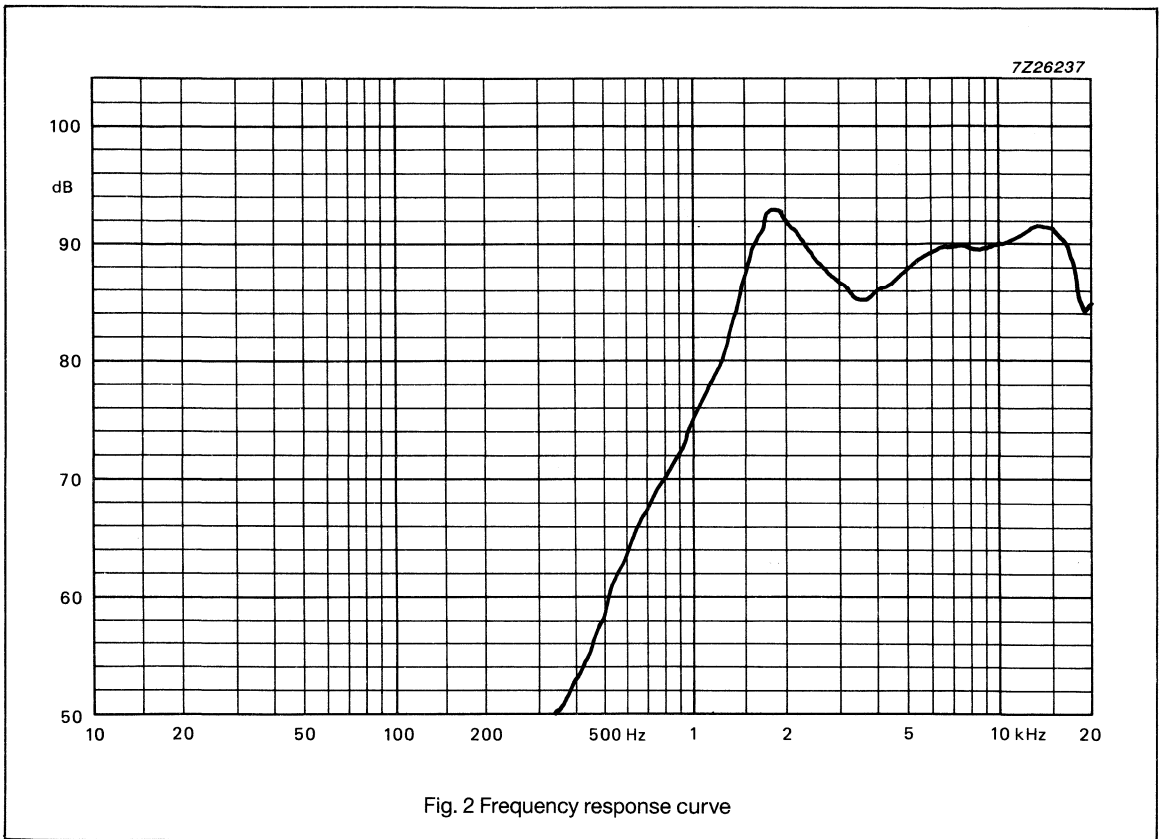


Fig. 1 Outline dimensions (mm)

**18 mm Dome Tweeter****00 00960/T8****FREQUENCY RESPONSE CURVES**

Frequency response curves have been measured on an axis at a distance of 1 m with 1 W input power.



Catalogue number: 2404 256 32404

## Philips Components

Data sheet	
status	Product specification
date of issue	September 1989

# AD 20360 series Cone Tweeter

### APPLICATION

Cone Tweeter, loudspeaker for audio applications.

### DESCRIPTION

• Frame	material: plastic finish: none
• Membrane	colour: black
• Suspension	material: paper (coated surround)
• Dust cap	material: mylar colour: black
• Gasket	none

### TECHNICAL DATA

	version		unit
	/T4	/T8	
<b>Unmounted</b>			
Rated impedance	4	8	$\Omega$
Voice coil resistance	3.4	6.3	$\Omega$
Resonance frequency	2200		Hz
Sweep voltage	2.4	3.4	V
Magnetic flux density	0.65		T
Loudspeaker mass	55		g
<b>Mounted</b>			
Characteristic sensitivity	88		dB/W/m
Maximum noise power (PHC)	3		W

Cone Tweeter

AD 20360 series

MECHANICAL DATA

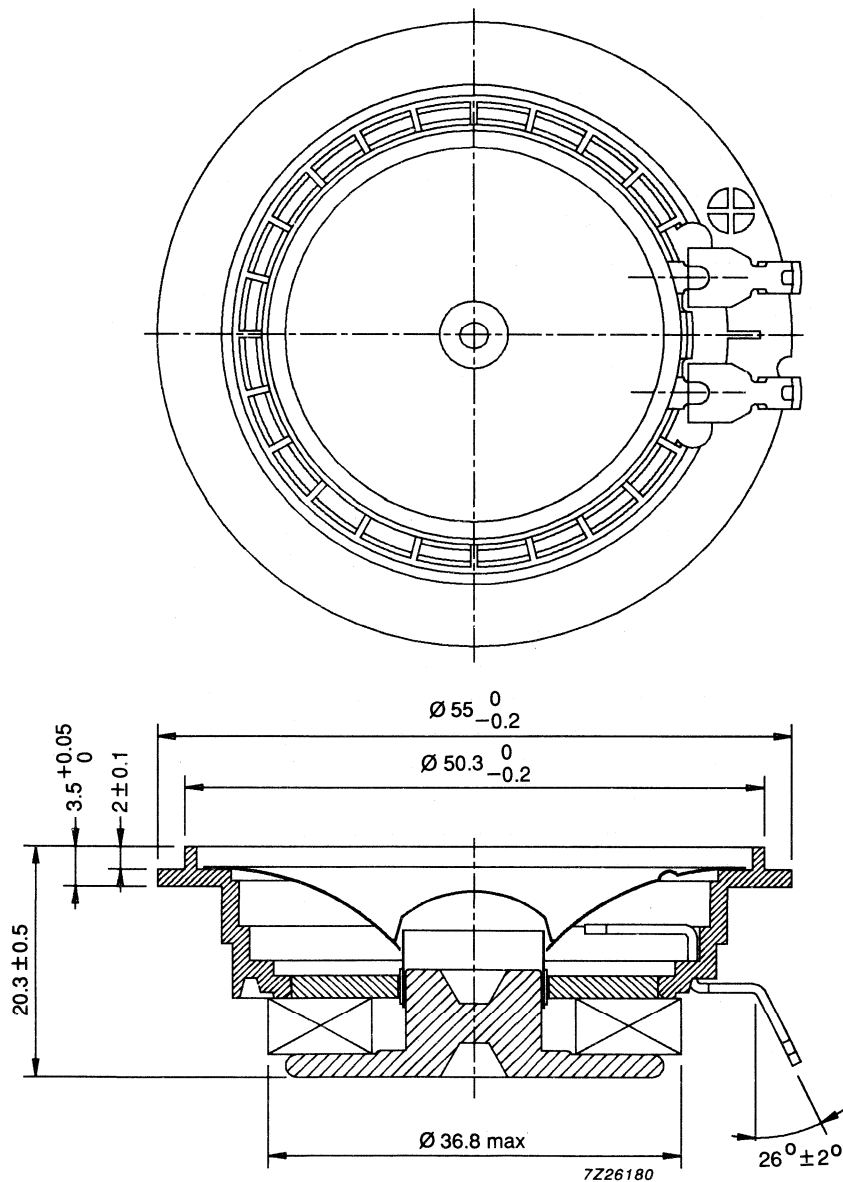


Fig. 1 Outline dimensions (mm)

# Cone Tweeter

# AD 20360 series

## FREQUENCY RESPONSE CURVES

Frequency response curves have been measured on an axis at a distance of 1 m with 1 W input power.

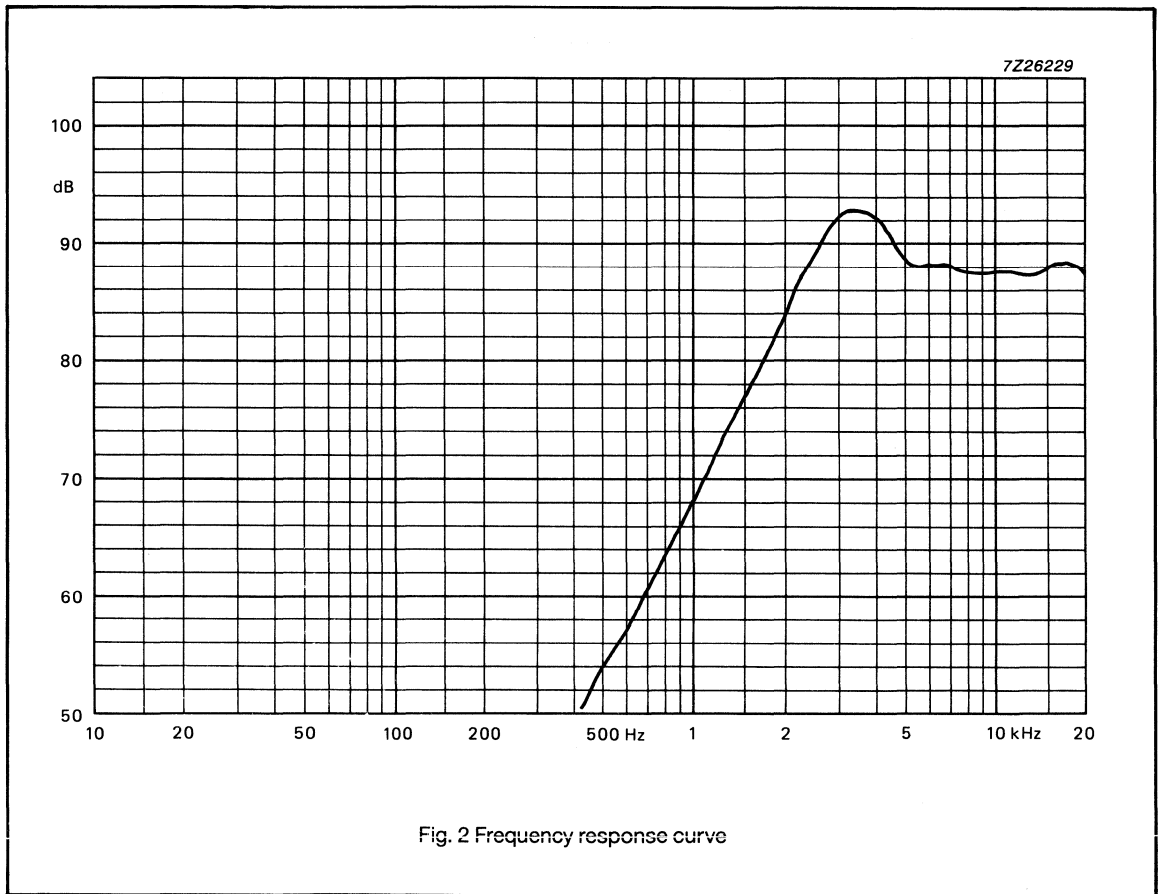


Fig. 2 Frequency response curve

Catalogue number: 2422 257 22101  
2422 257 22102

**Philips Components**

<b>Data sheet</b>	
<b>status</b>	Product specification
<b>date of issue</b>	May 1990

# AD 22360 series

## Cone Tweeter

**APPLICATION**

Audio cone tweeter, loudspeaker.

**DESCRIPTION**

• Frame	material: plastic finish: none
• Membrane	colour: black
• Suspension	material: paper coated surround
• Dust cap	material: mylar colour: black
• Gasket	none

**TECHNICAL DATA**

	version		unit
	/T4	/T8	
<b>Unmounted</b>			
Rated impedance	4	8	$\Omega$
Voice coil resistance	3.4	6.3	$\Omega$
Resonance frequency	2200		Hz
Sweep voltage	2.4	3.4	V
Magnetic flux density	0.65		T
Loudspeaker mass	55		g
<b>Mounted</b>			
Characteristic sensitivity	88		dB/W/m
Maximum noise power (PHC)	3		W

Cone Tweeter

AD 22360 series

MECHANICAL DATA

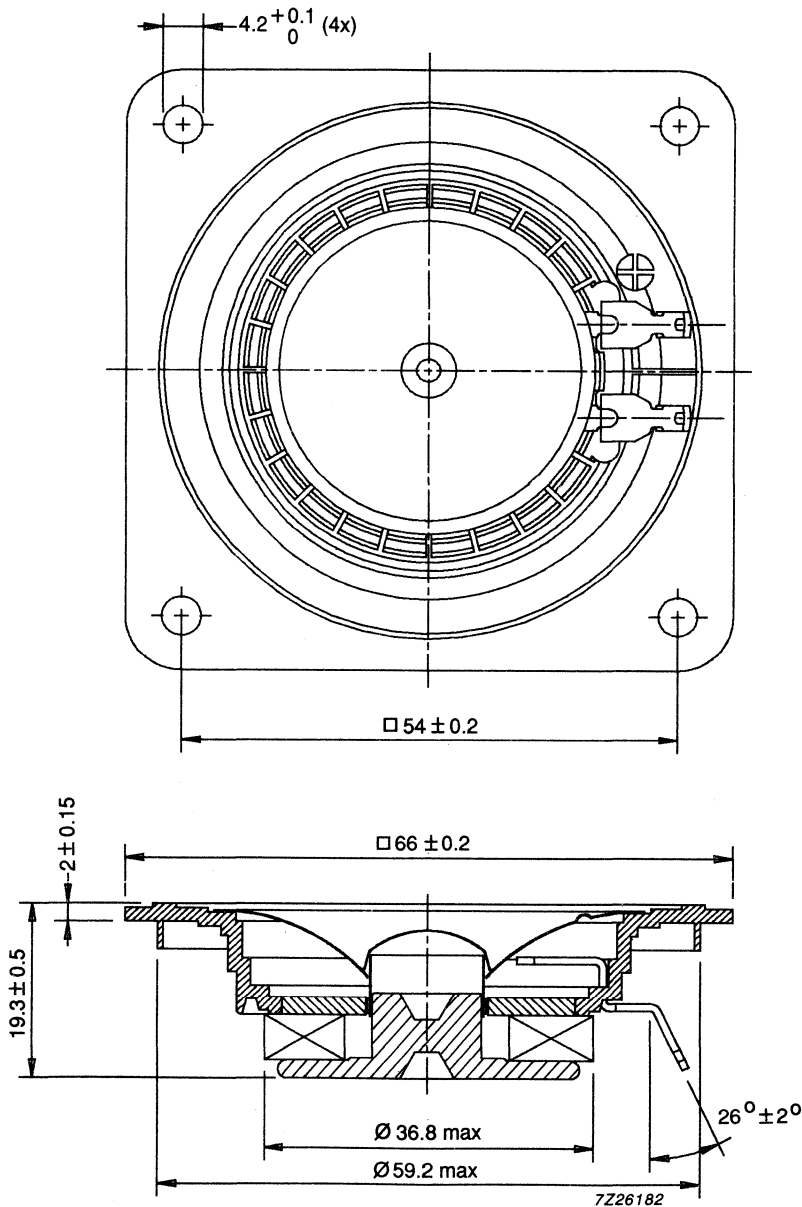


Fig. 1 Outline dimensions (mm)



# Cone Tweeter

# AD 22360 series

## FREQUENCY RESPONSE CURVES

Frequency response curves have been measured on an axis at a distance of 1 m with 1 W input power.

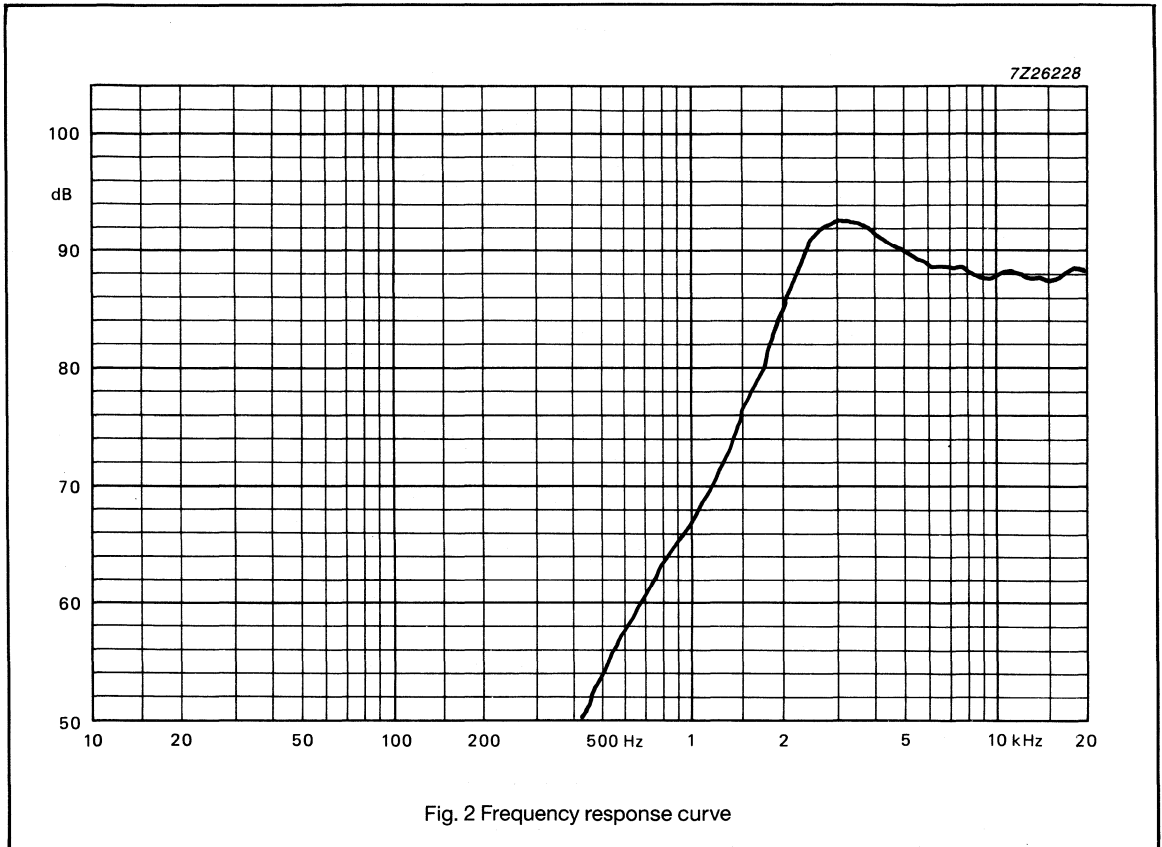


Fig. 2 Frequency response curve

Catalogue number: 2422 257 22111  
2422 257 22112

## Philips Components

Data sheet	
status	Product specification
date of issue	November 1989

# AD 22304 series Cone Tweeter

### APPLICATION

Cone Tweeter, loudspeaker for audio applications.

### DESCRIPTION

• Frame	material: plastic finish: none
• Membrane	colour: black
• Suspension	material: paper coated surround
• Dust cap	material: mylar colour: black
• Gasket	none

### TECHNICAL DATA

	version		unit
	/T4	/T8	
<b>Unmounted</b>			
Rated impedance	4	8	Ω
Voice coil resistance	3.4	6.3	Ω
Resonance frequency	2200		Hz
Sweep voltage	2.4	3.4	V
Magnetic flux density	0.9		T
Loudspeaker mass	75		g
<b>Mounted</b>			
Characteristic sensitivity	90.5		dB/W/m
Maximum noise power (PHC)	3		W

Cone Tweeter

AD 22304 series

MECHANICAL DATA

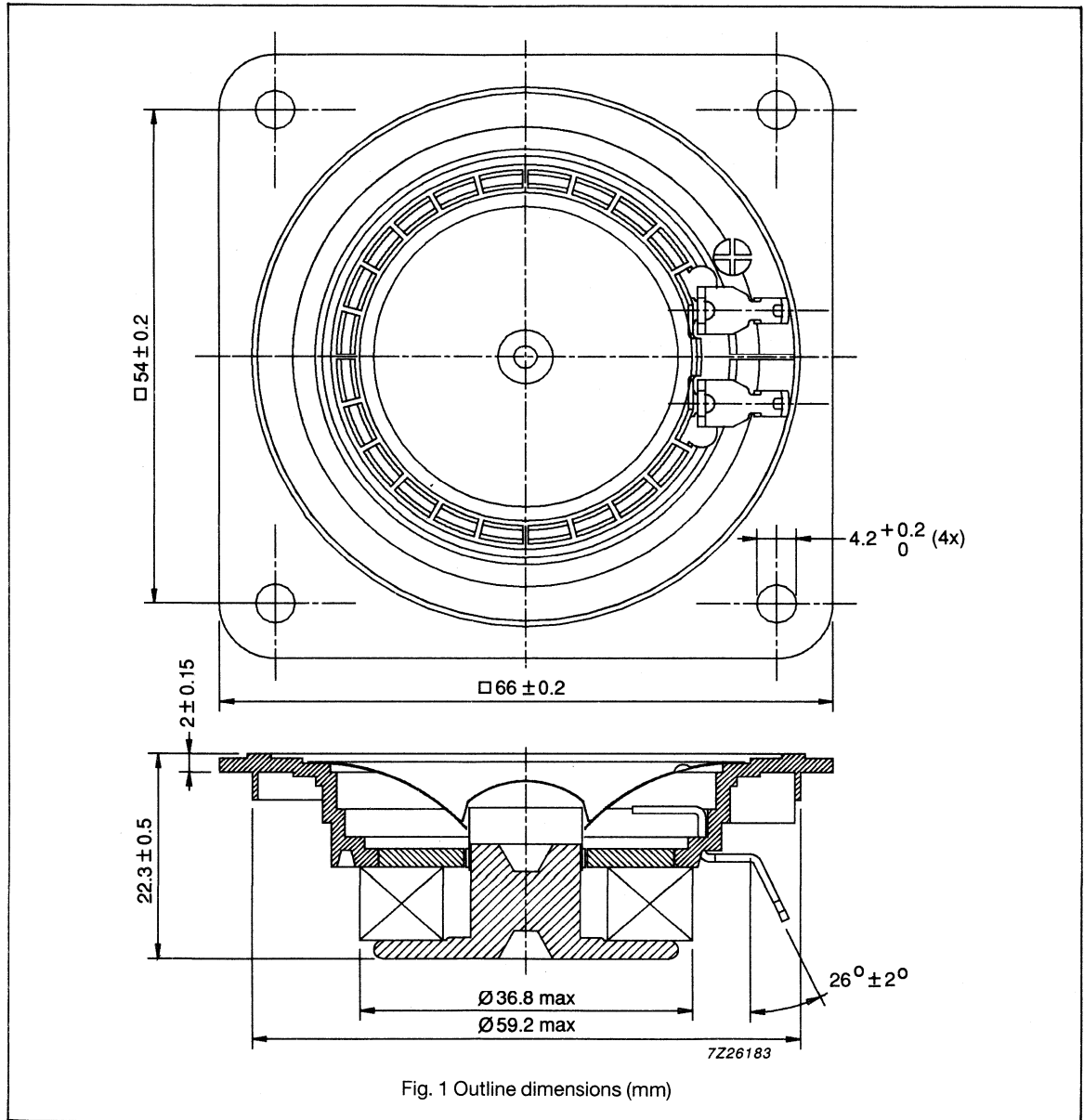


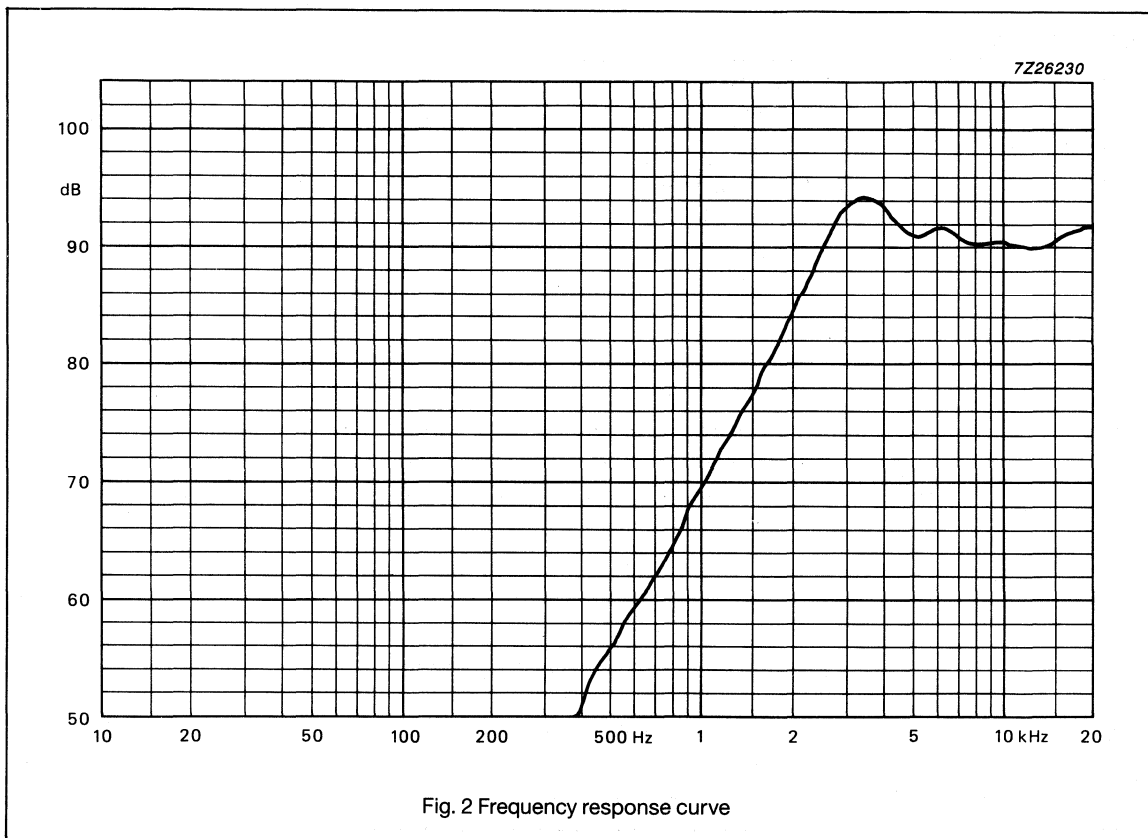
Fig. 1 Outline dimensions (mm)

**Cone Tweeter**

**AD 22304 series**

**FREQUENCY RESPONSE CURVES**

Frequency response curves have been measured on an axis at a distance of 1 m with 1 W input power.



Catalogue number: 2422 257 32811  
 2422 257 32812

Data sheet	
status	Product specification
date of issue	September 1989

# AD 20370 series Cone Tweeter

## APPLICATION

Cone Tweeter, loudspeaker for video applications.

## DESCRIPTION

• Frame	material: plastic finish: none
• Membrane	colour: black
• Suspension	material: paper (coated surround)
• Dust cap	material: mylar colour: black
• Gasket	none

## TECHNICAL DATA

	version		unit
	/T4	/T8	
<b>Unmounted</b>			
Rated impedance	4	8	Ω
Voice coil resistance	3.4	6.3	Ω
Resonance frequency	2200		Hz
Sweep voltage	2.4	3.4	V
Magnetic flux density	0.65		T
Loudspeaker mass	55		g
<b>Mounted</b>			
Characteristic sensitivity	88		dB/W/m
Maximum noise power (PHC)	3		W

Cone Tweeter

AD 20370 series

MECHANICAL DATA

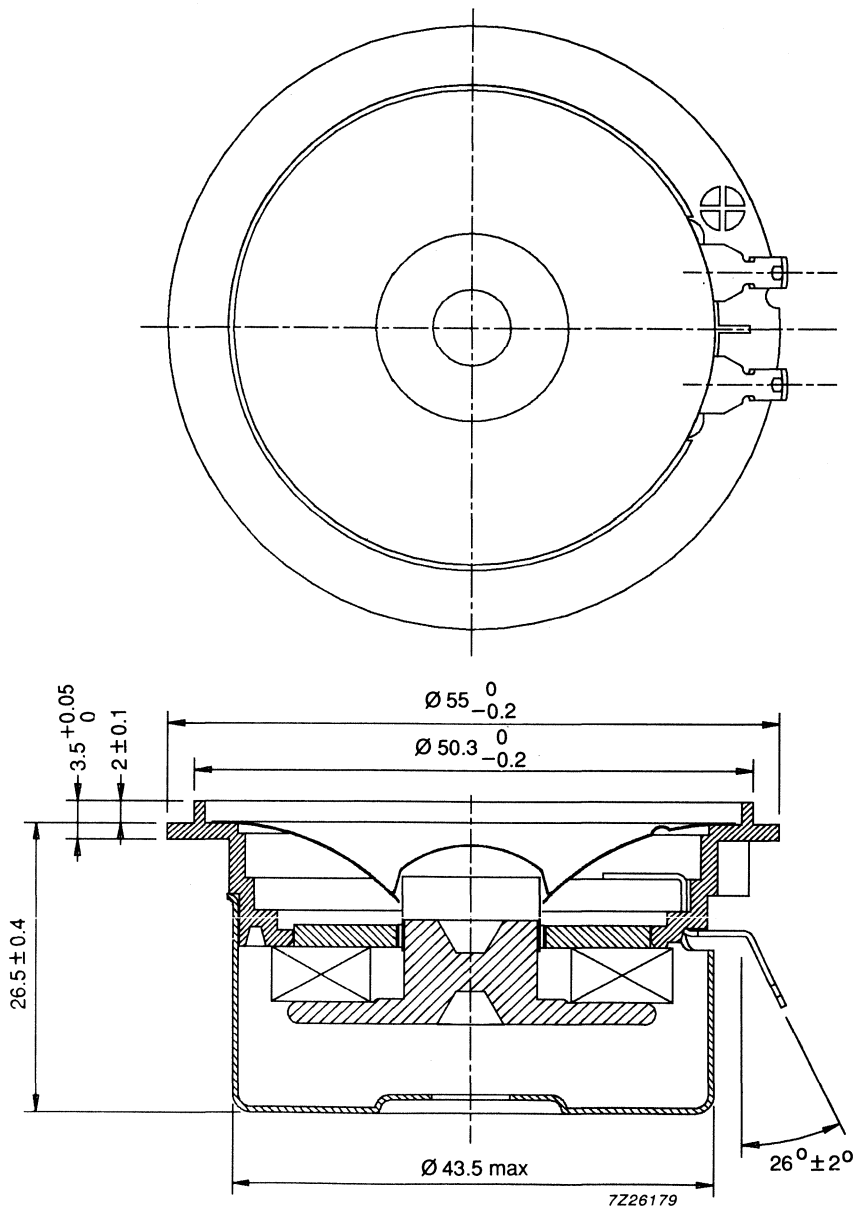


Fig. 1 Outline dimensions (mm)

# Cone Tweeter

# AD 20370 series

## FREQUENCY RESPONSE CURVES

Frequency response curves have been measured on an axis at a distance of 1 m with 1 W input power.

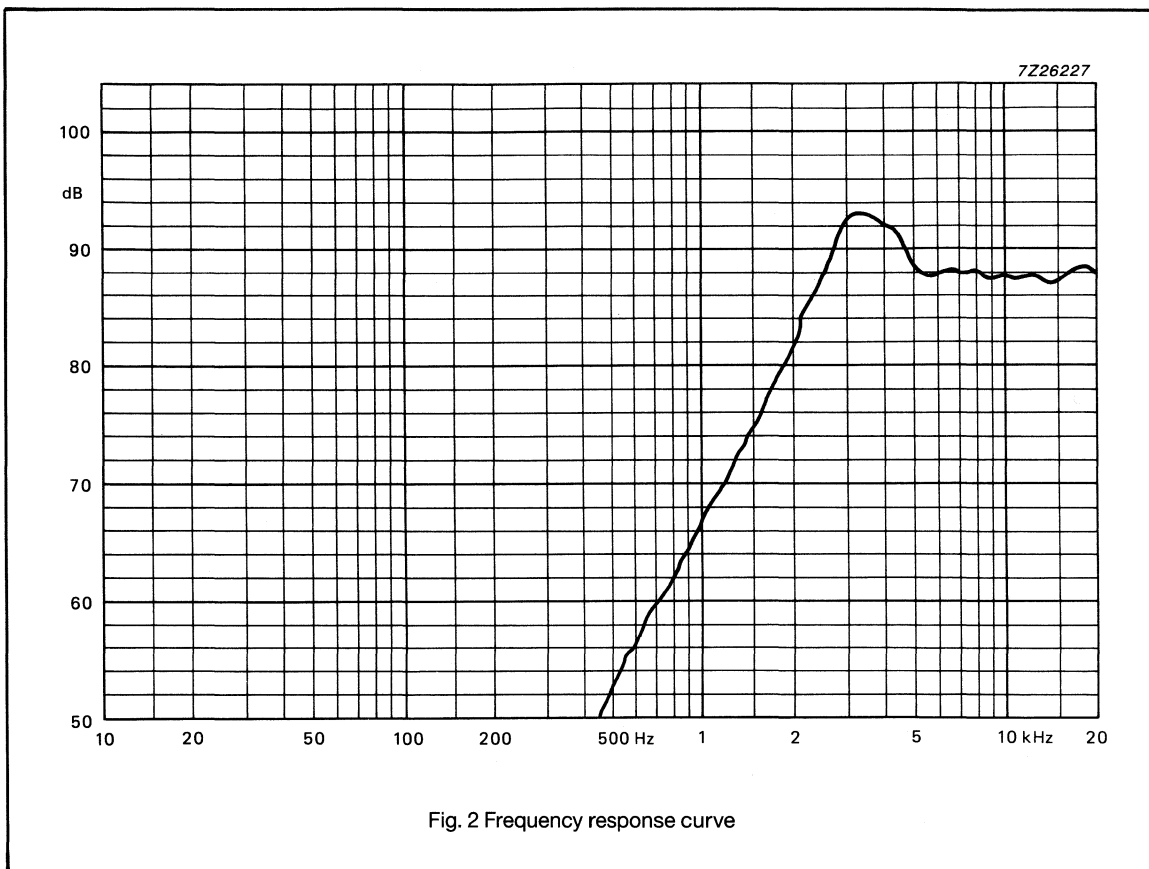


Fig. 2 Frequency response curve

Catalogue number: 2422 257 22201  
2422 257 22202

Data sheet	
status	Product specification
date of issue	November 1989

# AD 22370 series

## Cone Tweeter

### APPLICATION

Cone Tweeter, loudspeaker for video applications.

### DESCRIPTION

• Front	material: plastic finish: none
• Membrane	colour: black (coated surround)
• Suspension	material: paper
• Dust cap	material: mylar colour: black
• Gasket	none

### TECHNICAL DATA

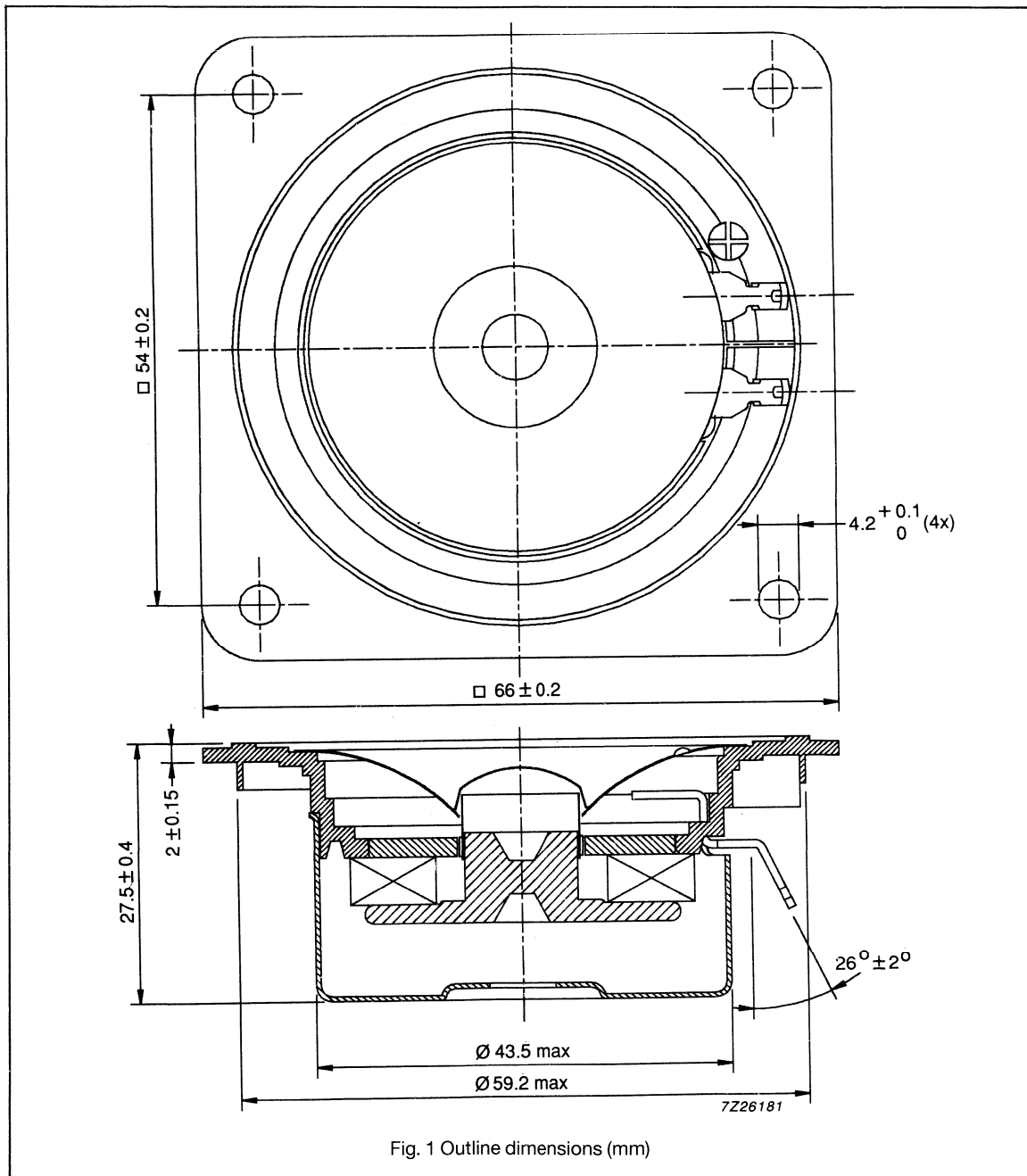
	version		unit
	/T4	/T8	
<b>Unmounted</b>			
Rated impedance	4	8	Ω
Voice coil resistance	3.4	6.3	Ω
Resonance frequency	2200		Hz
Sweep voltage	2.4	3.4	V
Magnetic flux density	0.65		T
Loudspeaker mass	55		g
<b>Mounted</b>			
Characteristic sensitivity	88		dB/W/m
Maximum noise power (PHC)	3		W



## Cone Tweeter

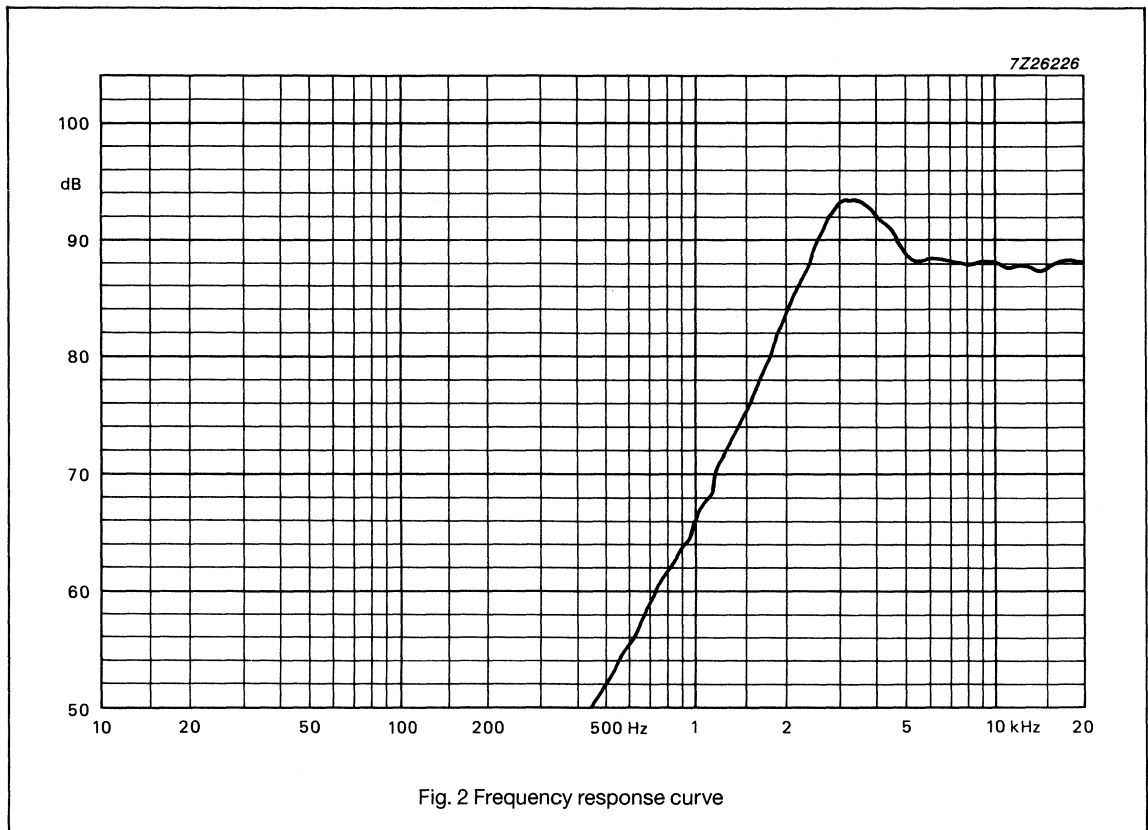
## AD 22370 series

## MECHANICAL DATA



**Cone Tweeter****AD 22370 series****FREQUENCY RESPONSE CURVES**

Frequency response curves have been measured on an axis at a distance of 1 m with 1 W input power.



Catalogue number: 2422 257 22211  
2422 257 22212



Ribbon Tweeter

AD 21600/RT8

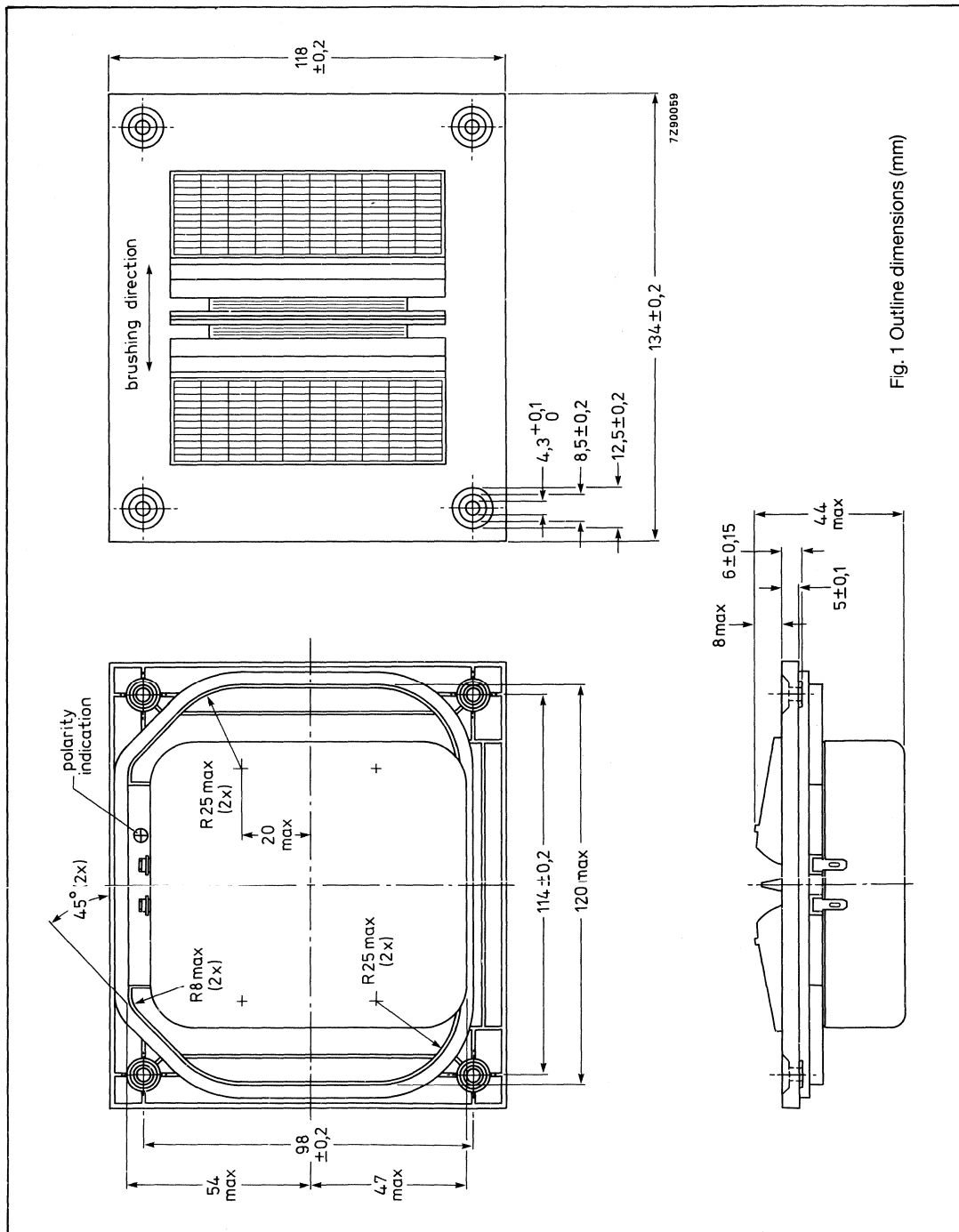
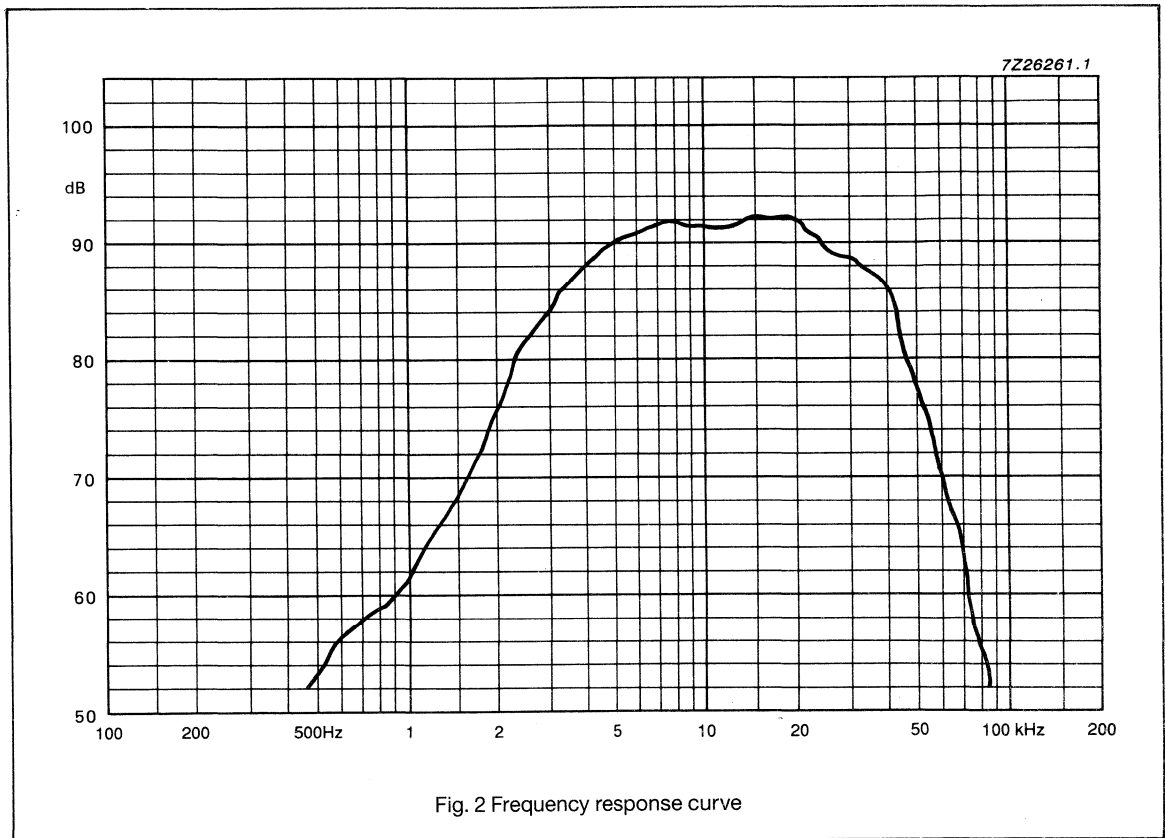


Fig. 1 Outline dimensions (mm)

MECHANICAL DATA

**Ribbon Tweeter****AD 21600/RT8****FREQUENCY RESPONSE CURVES**

Frequency response curves have been measured on an axis at a distance of 1 m with 1 W input power.



Catalogue number: 2422 257 52002

## Philips Components

Data sheet	
status	Product specification
date of issue	November 1989

# AD 02110 series 50 mm Dome Squawker

### APPLICATION

Dome Squawker for high fidelity applications.

### DESCRIPTION

• Front plate	material: plastic finish: texture
• Membrane	colour: black material: textile
• Gasket	material: foam position: rear

### TECHNICAL DATA

	version		unit
	/SQ4	/SQ8	
<b>Unmounted</b>			
Rated impedance	4	8	$\Omega$
Voice coil resistance	3.4	6.9	$\Omega$
Resonance frequency	340	360	Hz
Sweep voltage	8.9	12.6	V
Magnetic flux density	0.9		T
Loudspeaker mass	1		Kg
<b>Mounted</b>			
Characteristic sensitivity	90		dB/W/m
Maximum noise power (PHC)	30		W

50 mm Dome Squawker

AD 02110 series

MECHANICAL DATA

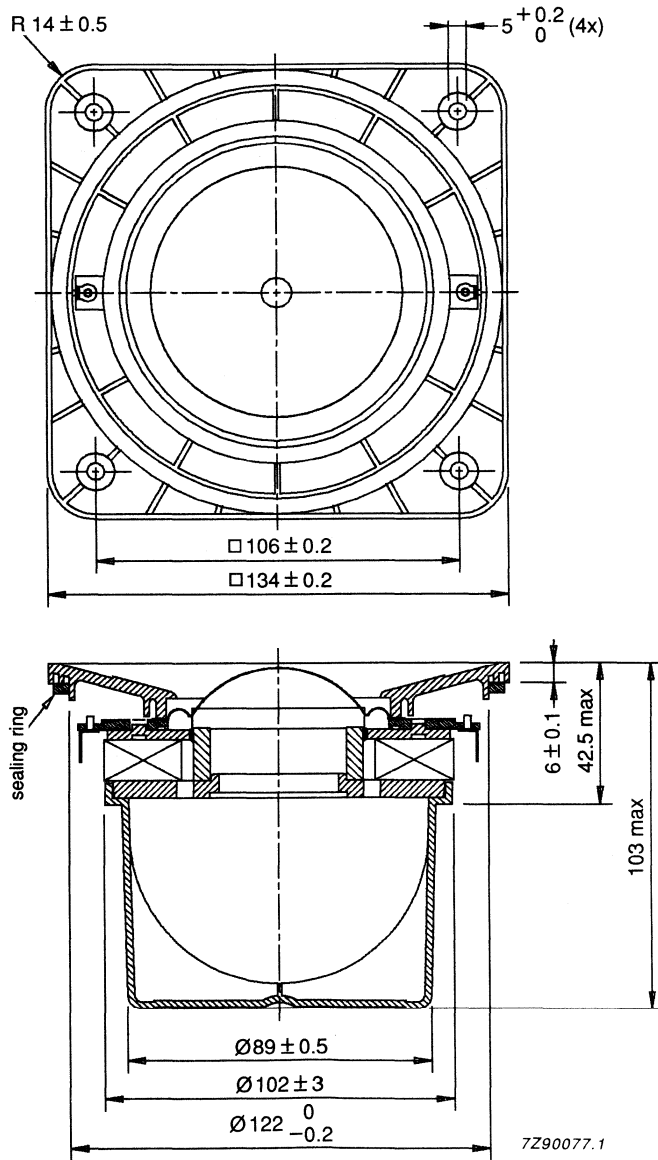
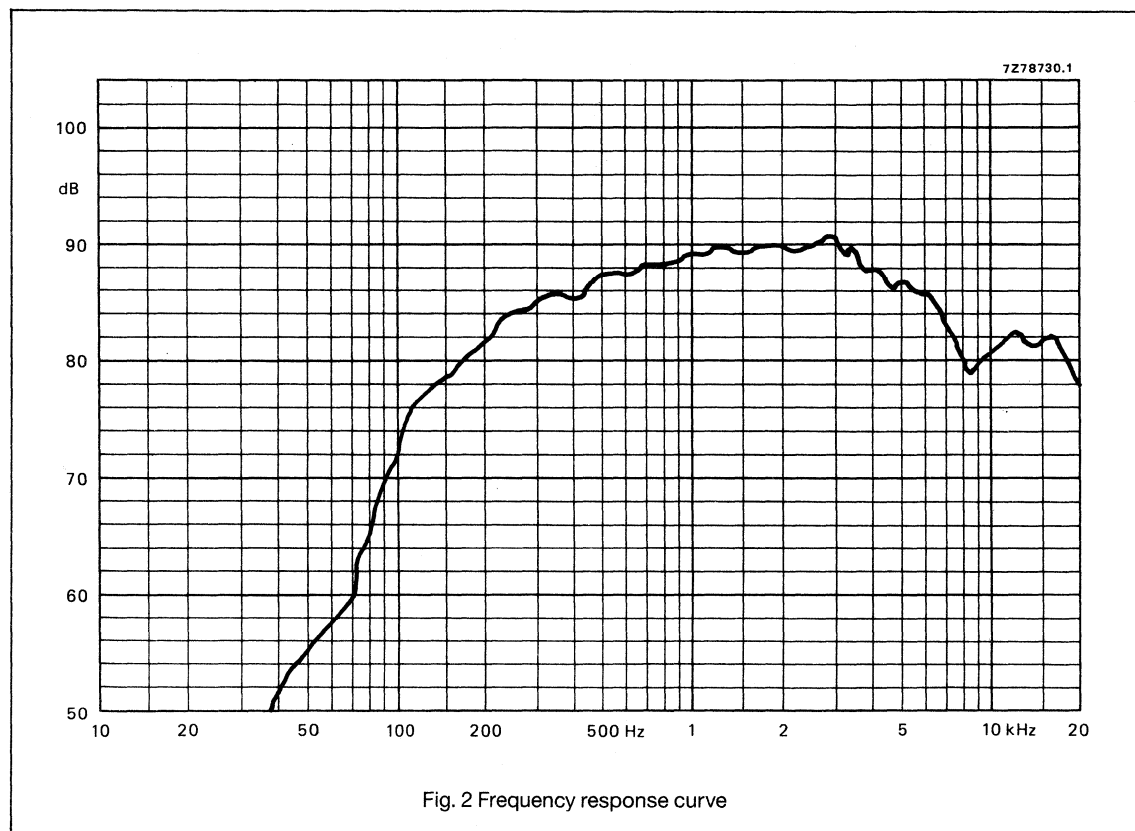


Fig. 1 Outline dimensions (mm)

**50 mm Dome Squawker****AD 02110 series****FREQUENCY RESPONSE CURVES**

Frequency response curves have been measured on an axis at a distance of 1 m with 1 W input power.



Catalogue number: 2422 257 32201  
2422 257 32202



## Philips Components

Data sheet	
status	Product specification
date of issue	May 1990

# AD 33303/SQ8

## 3" Cone Squawker

### APPLICATION

Cone squawker for midrange frequency applications

### DESCRIPTION

• Front	material: plastic finish: textured
• Membrane	colour: black
• Suspension	material: textile damped
• Dust cap	material: paper colour: black
• Gasket	none

### TECHNICAL DATA

<b>Unmounted</b>		
Rated impedance	8	$\Omega$
Voice coil resistance	7.0	$\Omega$
Resonance frequency	max. 1050	Hz
Sweep voltage	3.5	V
Magnetic flux density	1.1	T
Loudspeaker mass	110	g
<b>Mounted</b>		
Characteristic sensitivity	91.0	dB/W/m
Maximum noise power (PHC)	5.0	W

3" Cone Squawker

AD 33303/SQ8

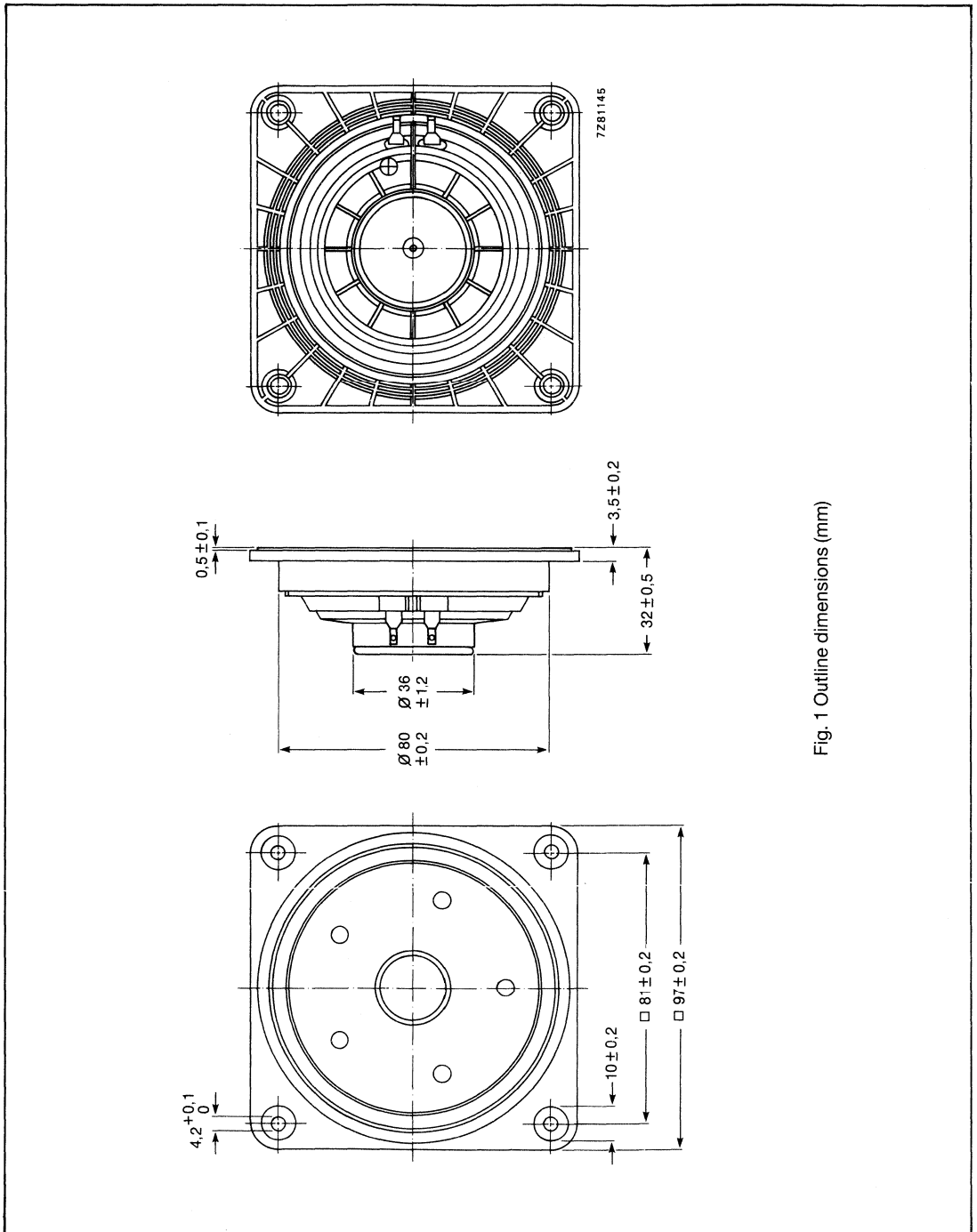


Fig. 1 Outline dimensions (mm)

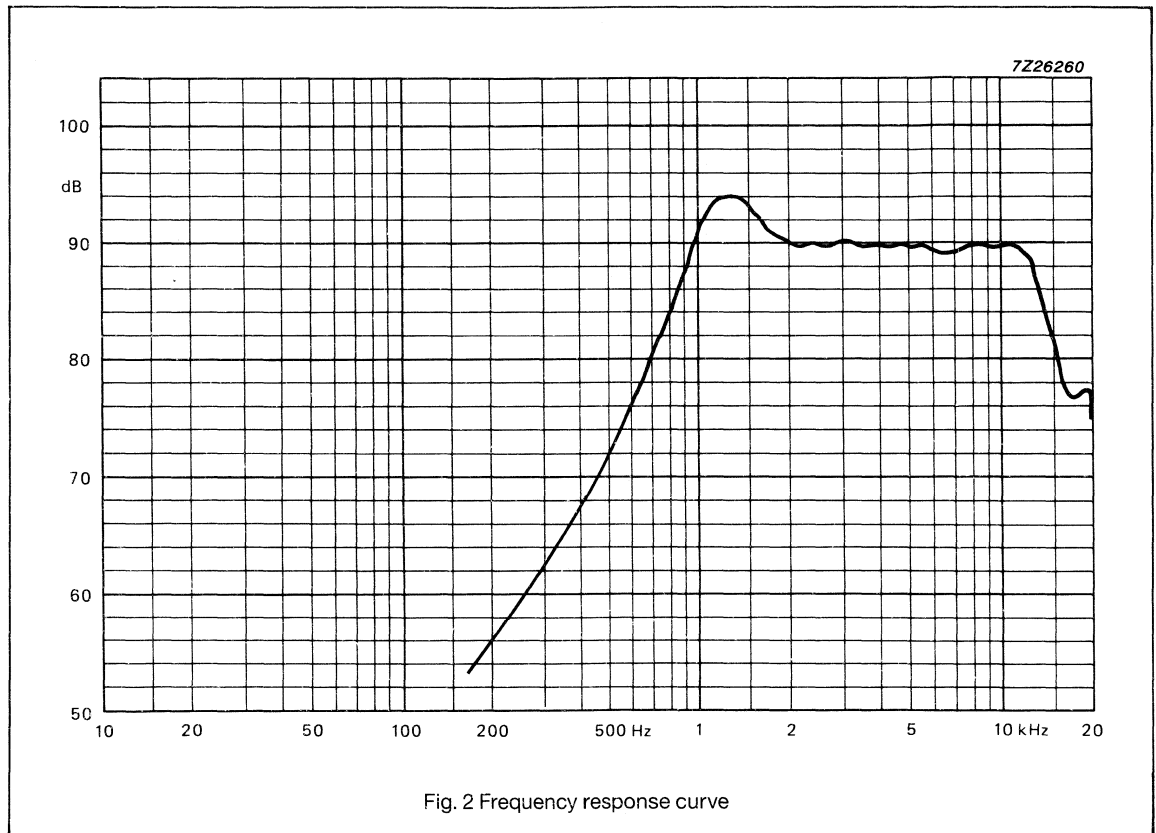
MECHANICAL DATA

# 3" Cone Squawker

AD 33303/SQ8

## FREQUENCY RESPONSE CURVES

Frequency response curves have been measured on an axis at a distance of 1 m with 1 W input power.



Catalogue number: 2422 257 53112

**Philips Components**

Data sheet	
status	Product specification
date of issue	May 1990

# AD 50600 series

## 5" Cone Squaker

**APPLICATION**

Cone squawker for midrange frequency applications

**DESCRIPTION**

• Frame	material: steel finish: zinc black
• Membrane	colour: black
• Suspension	material: textile
• Dust cap	material: paper colour: black
• Gasket	: none
• Remarks	

**TECHNICAL DATA**

	version		unit
	/SQ4	/SQ8	
<b>Unmounted</b>			
Rated impedance	4	8	Ω
Voice coil resistance	3.4	7	Ω
Resonance frequency	260	260	Hz
Sweep voltage	4.0	5.6	V
Magnetic flux density	0.93	0.93	T
Loudspeaker mass	700	700	g
<b>Mounted</b>			
Characteristic sensitivity	90.0	90.0	dB/W/m
Maximum noise power (PHC)	20.0	20.0	W

5" Cone Squawker

AD 50600 series

MECHANICAL DATA

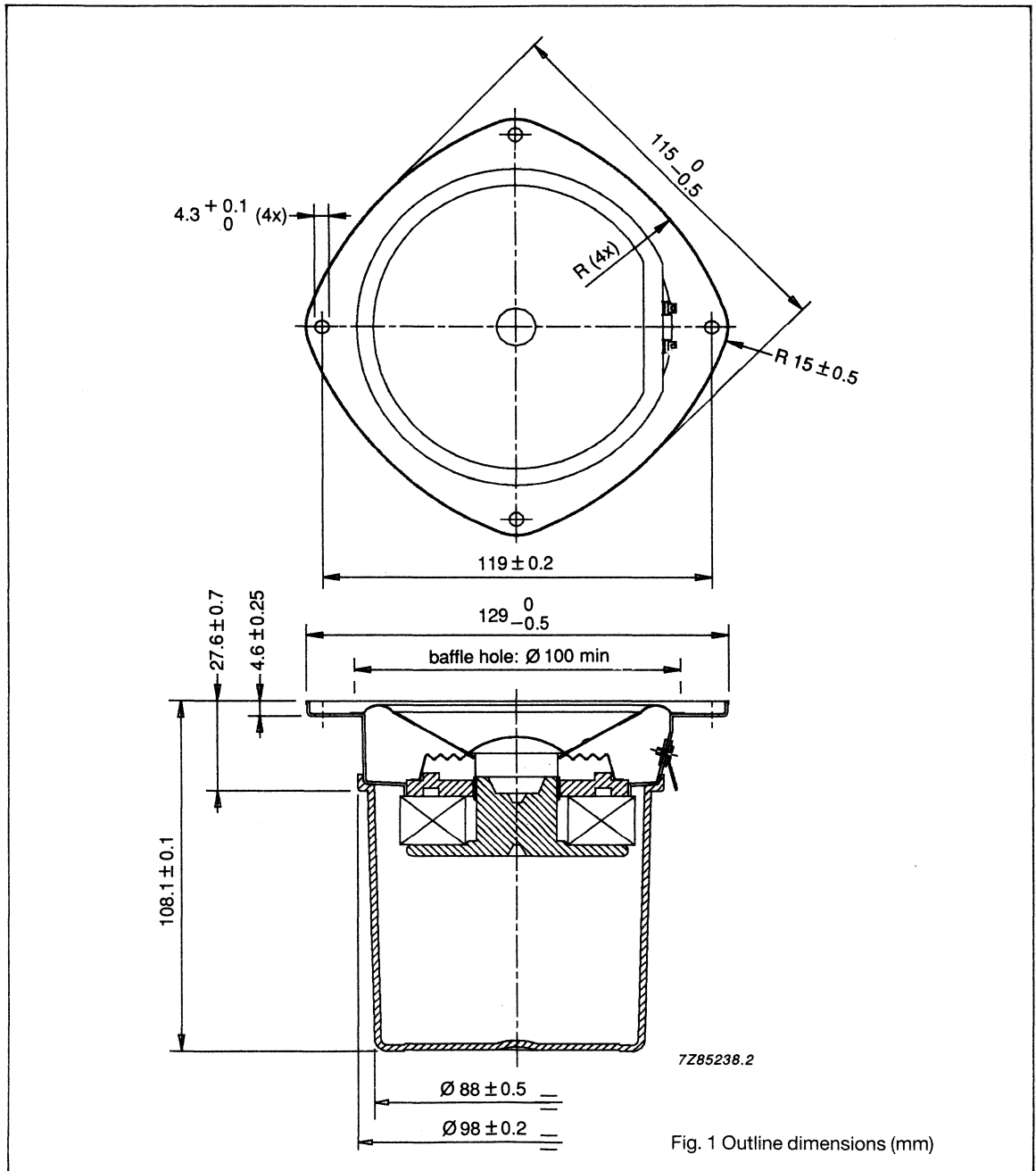


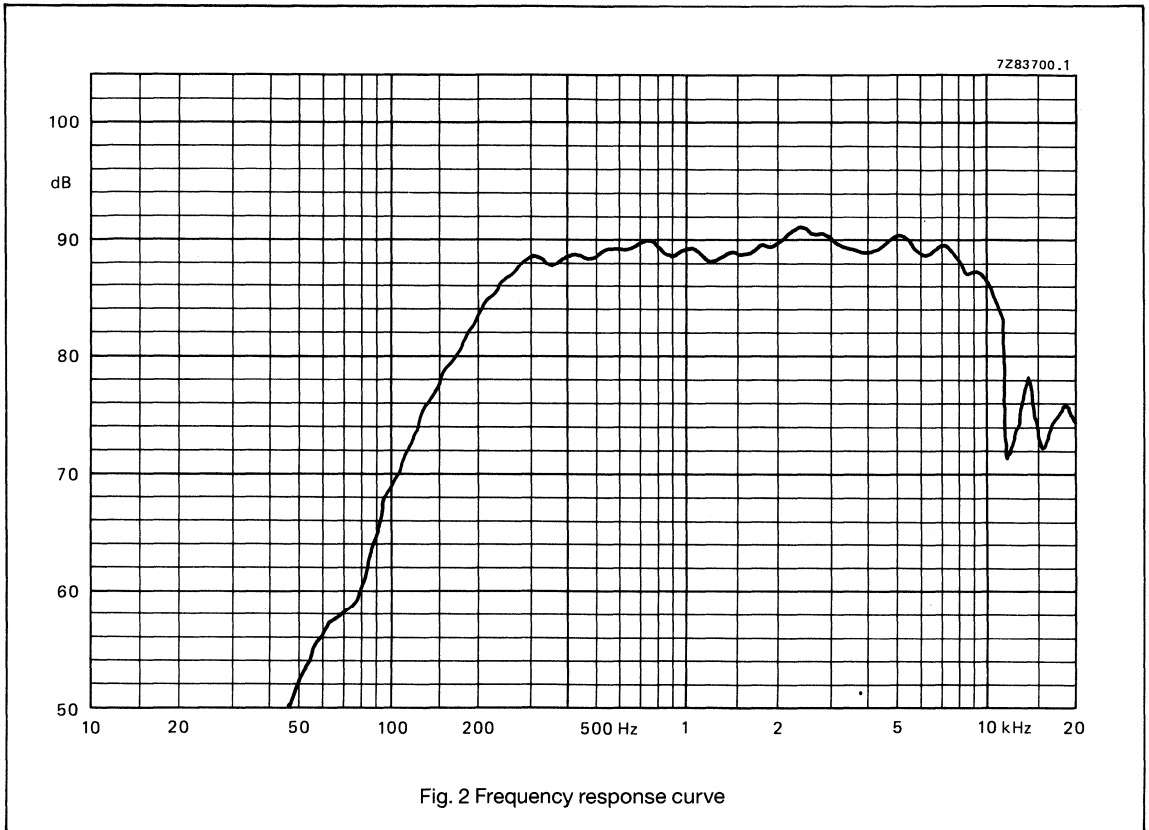
Fig. 1 Outline dimensions (mm)

**5" Cone Squawker**

**AD 50600 series**

**FREQUENCY RESPONSE CURVES**

Frequency response curves have been measured on an axis at a distance of 1 m with 1 W input power.



Catalogue number: 2422 257 45001  
 2422 257 45002

**Philips Components**

Data sheet	
status	Product specification
date of issue	May 1990

# AD 36900 series

## 3 x 6" Oval Woofer

**APPLICATION**

Oval Woofer for Hi-Fi video applications.

**DESCRIPTION**

• Frame	material: steel finish: zinc black plated
• Membrane	colour: black
• Suspension	material: textile
• Dust cap	material: aluminium colour: black
• Gasket	material: foam position: rear

**TECHNICAL DATA**

	version		unit
	/W4	/W8	
<b>Unmounted</b>			
Rated impedance	4	8	$\Omega$
Voice coil resistance	3.4	7.0	$\Omega$
Resonance frequency	75		Hz
Sweep voltage	4.5	6.3	V
Magnetic flux density	0.995		T
Loudspeaker mass	357		g
<b>Mounted</b>			
Characteristic sensitivity	85		dB/W/m
Maximum noise power (PHC)	10		W

# 3 x 6" Oval Woofer

# AD 36900 series

## MECHANICAL DATA

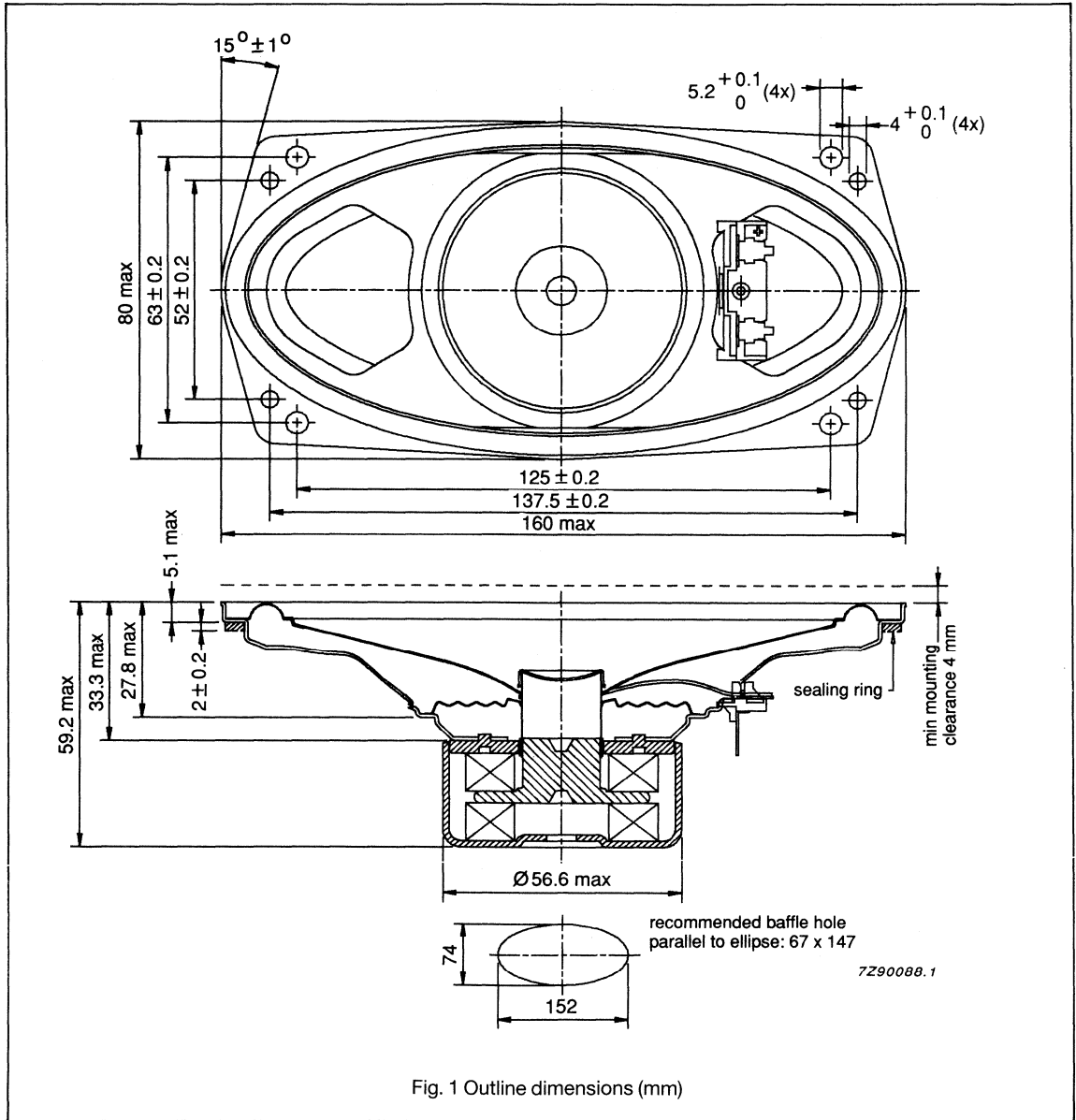


Fig. 1 Outline dimensions (mm)



**3 x 6" Oval Tweeter**

**AD 36900 series**

**FREQUENCY RESPONSE CURVES**

Frequency response curves have been measured on an axis at a distance of 1 m with 1 W input power.



Catalogue number: 2422 257 29005  
 2422 257 29006

**Philips Components**

Data sheet	
status	Product specification
date of issue	May 1990

# AD 36510/W4

## 3 x 6" Oval Woofer

**APPLICATION**

Hi-Fi video applications.

**DESCRIPTION**

• Frame	material: steel finish: zinc black plated
• Membrane	colour: black
• Suspension	material: textile
• Dust cap	material: aluminium colour: black
• Gasket	material: foam position: rear

**TECHNICAL DATA**

<b>Unmounted</b>		
Rated impedance	4	$\Omega$
Voice coil resistance	3.2	$\Omega$
Resonance frequency	68	Hz
Sweep voltage	5.0	V
Magnetic flux density	1.15	T
Loudspeaker mass	445	g
<b>Mounted</b>		
Characteristic sensitivity	87.0	dB/W/m
Maximum noise power (PHC)	15.0	W

3 x 6" Oval Woofer

AD 36510/W4

MECHANICAL DATA

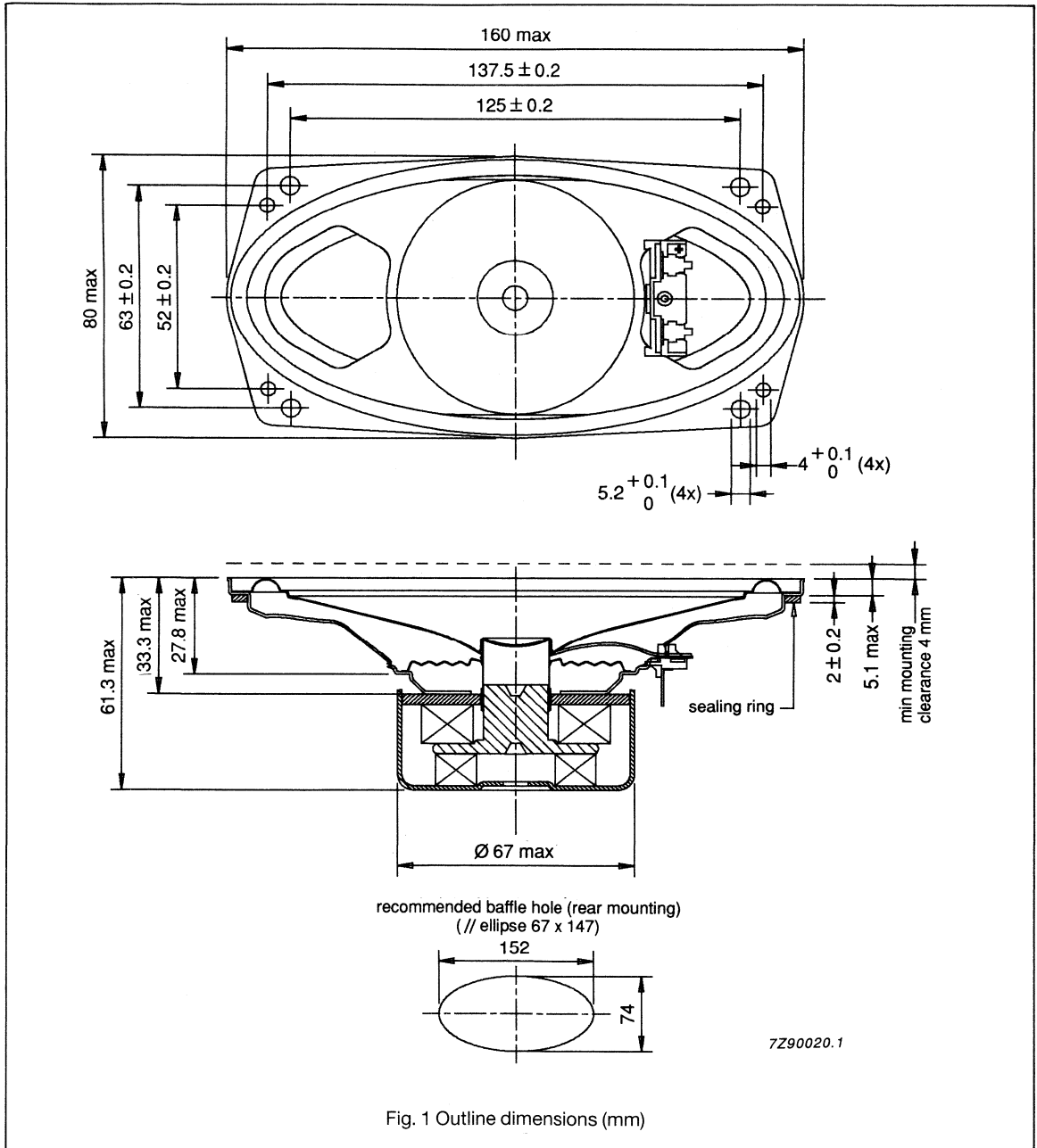
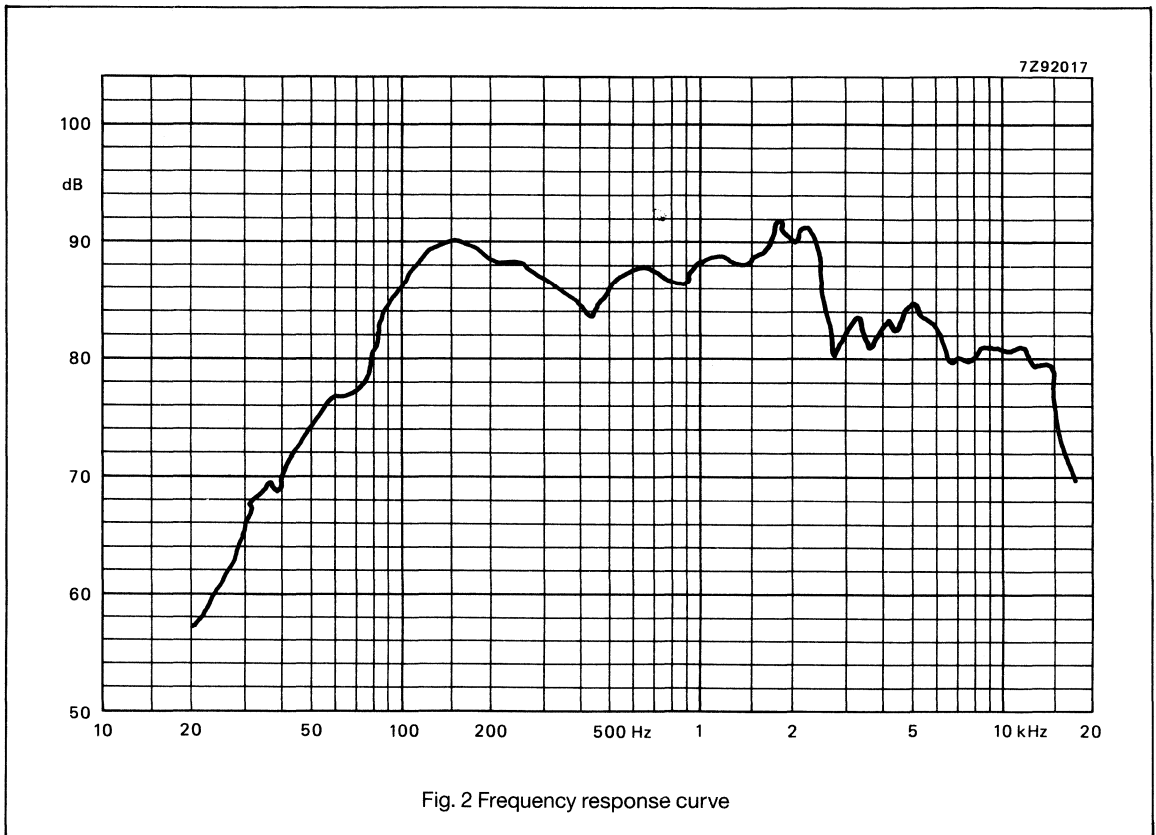


Fig. 1 Outline dimensions (mm)

**3 x 6" Oval Woofer****AD 36510/W4****FREQUENCY RESPONSE CURVES**

Frequency response curves have been measured on an axis at a distance of 1 m with 1 W input power.



Catalogue number: 2422 257 29001

Data sheet	
status	Product specification
date of issue	May 1990

# AD 38510/W8A

## 3 x 8" Oval Woofer

### APPLICATION

Hi-Fi video applications.

### DESCRIPTION

• Frame	material: steel finish: zinc black
• Membrane	colour: black
• Suspension	material: textile
• Dust cap	material: aluminium colour: black
• Gasket	: none

### TECHNICAL DATA

<b>Unmounted</b>		
Rated impedance	8	Ω
Voice coil resistance	6.9	Ω
Resonance frequency	70	Hz
Sweep voltage	8.0	V
Magnetic flux density	1.15	T
Loudspeaker mass	470	g
<b>Mounted</b>		
Characteristic sensitivity	87.5	dB/W/m
Maximum noise power (PHC)	22.0	W

3 x 8" Oval Woofer

AD 38510/W8A

MECHANICAL DATA

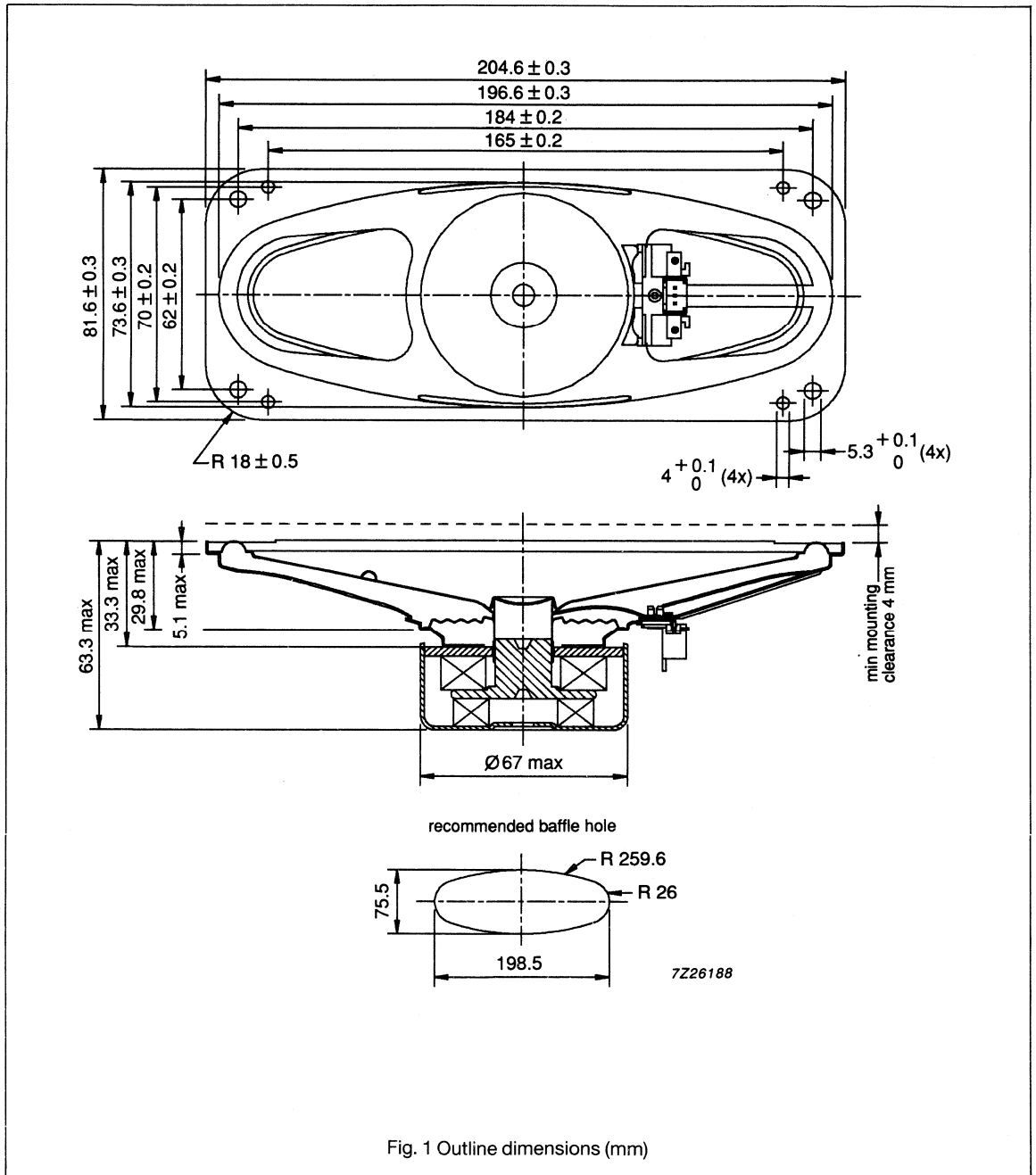
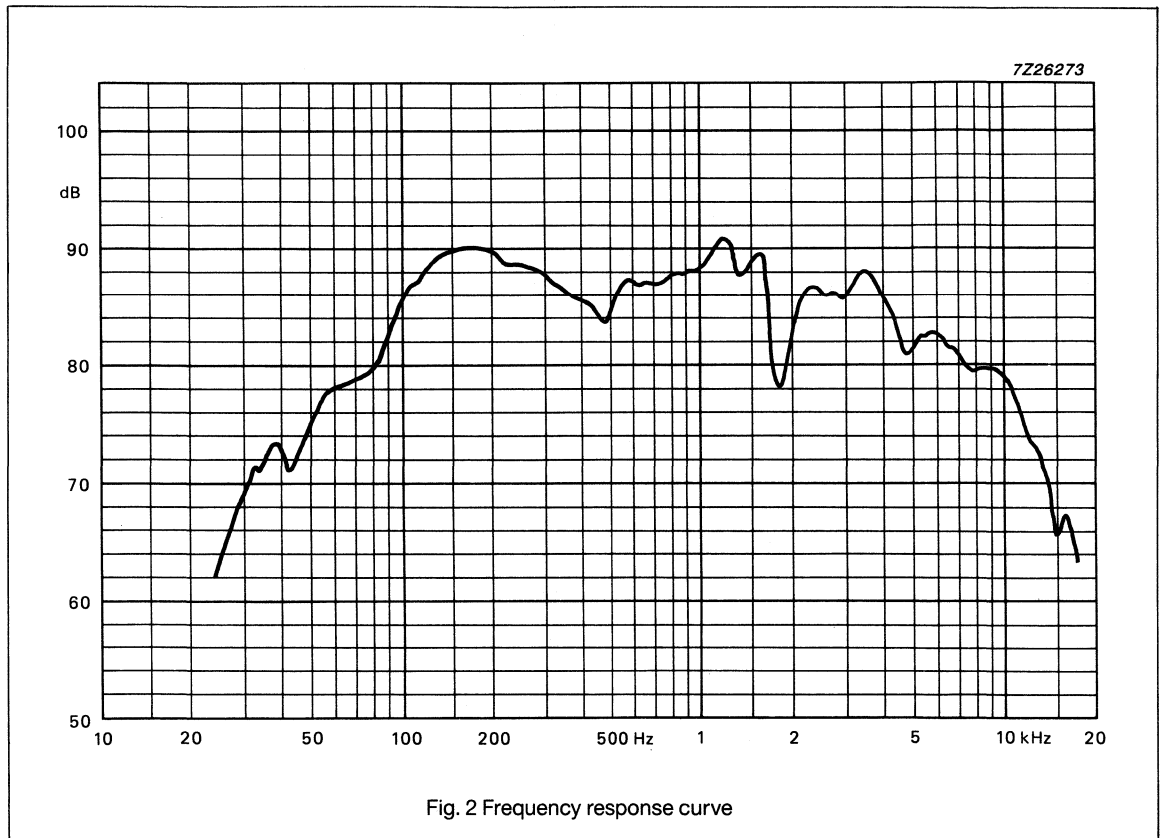


Fig. 1 Outline dimensions (mm)

**3 x 8" Oval Woofer****AD 38510/W8A****FREQUENCY RESPONSE CURVES**

Frequency response curves have been measured on an axis at a distance of 1 m with 1 W input power.



Catalogue number: 2422 257 40902

## Philips Components

Data sheet	
status	Product specification
date of issue	May 1990

# AD 44900 series 4" Round Woofer

### APPLICATION

For video applications.

### DESCRIPTION

• Frame	material: steel finish: zinc yellow
• Membrane	colour: black
• Suspension	material: foam
• Dust cap	material: aluminium colour: black
• Gasket	: none

### TECHNICAL DATA

	version		unit
	/W4	/W8	
<b>Unmounted</b>			
Rated impedance	4	8	$\Omega$
Voice coil resistance	3.2	7.0	$\Omega$
Resonance frequency		80	Hz
Sweep voltage	4.0	5.6	V
Magnetic flux density		1.01	T
Loudspeaker mass		350	g
<b>Mounted</b>			
Characteristic sensitivity		83	dB/W/m
Maximum noise power (PHC)		10	W



# 4" Round Woofer

# AD 44900 series

## MECHANICAL DATA

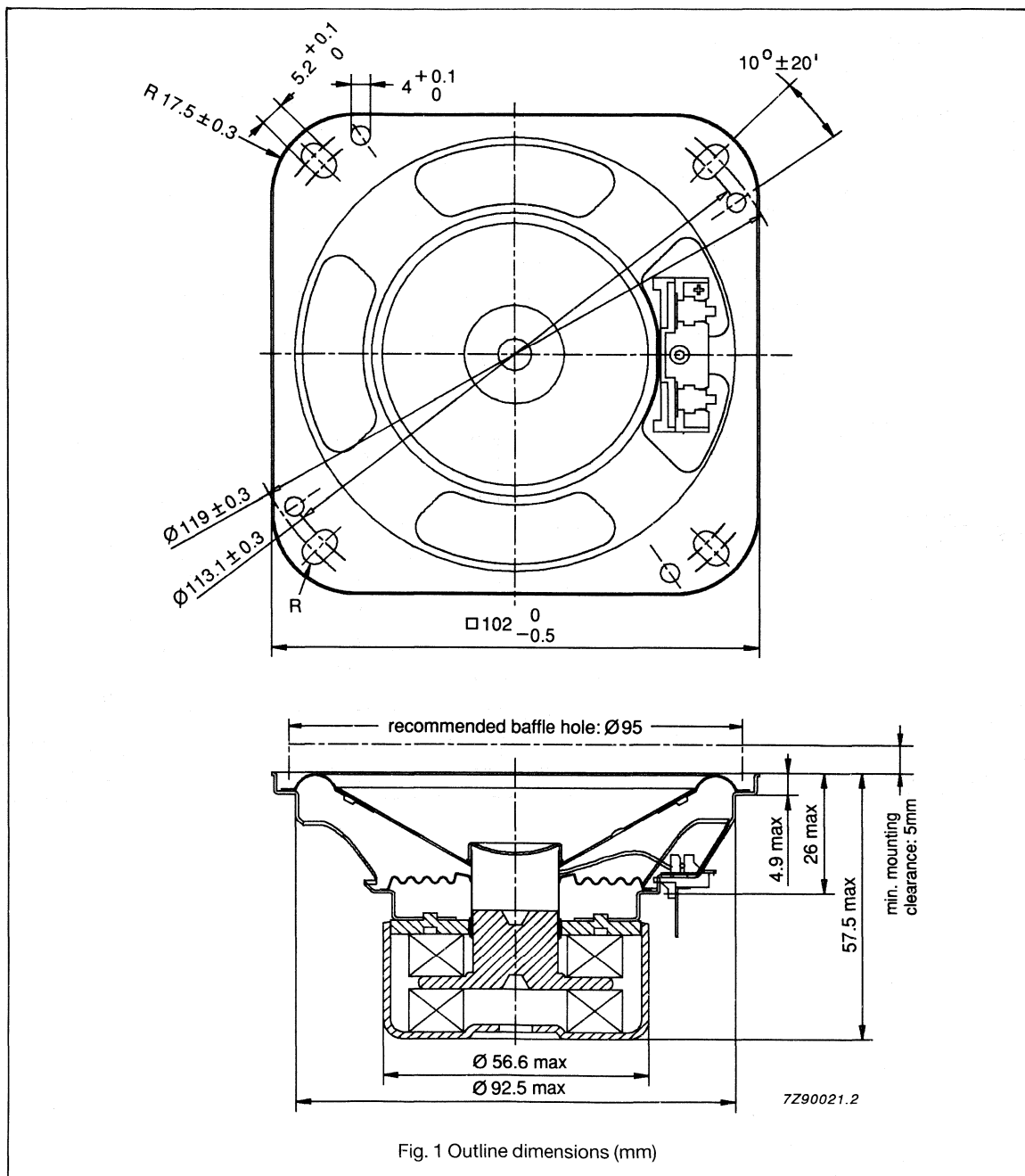


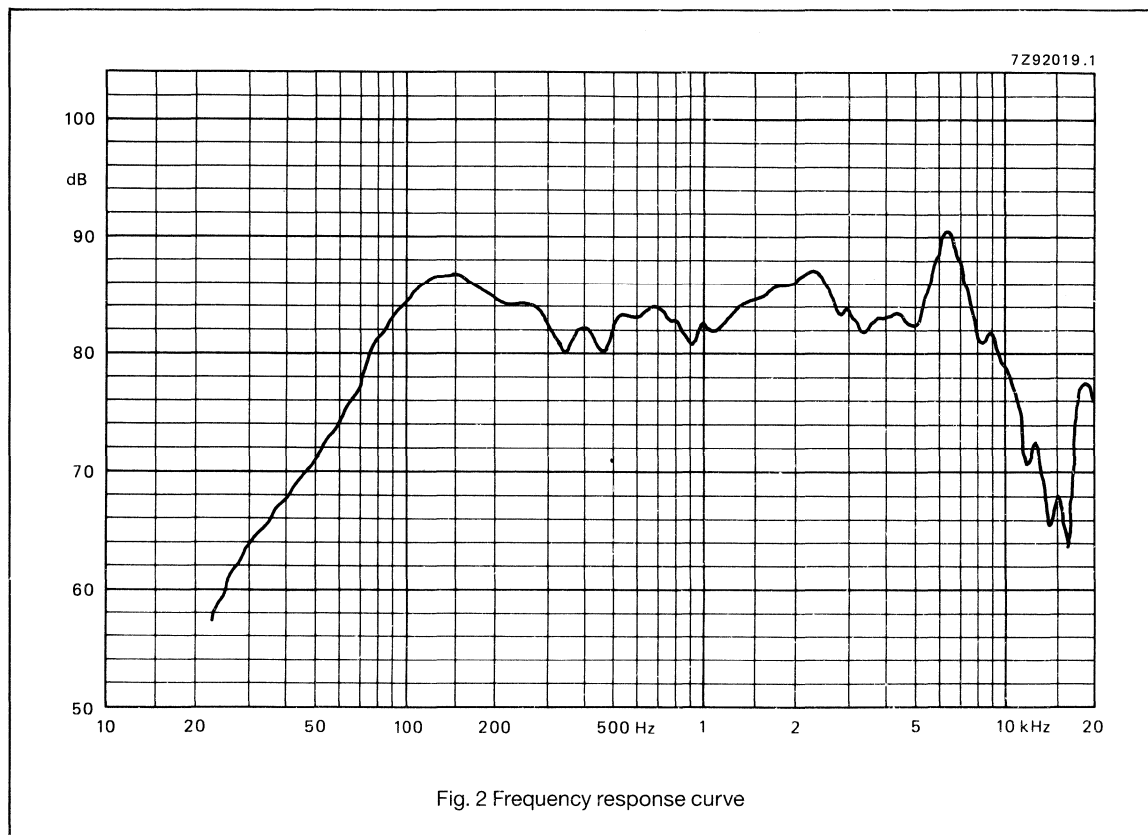
Fig. 1 Outline dimensions (mm)

## 4" Round Woofer

**AD 44900 series**

### FREQUENCY RESPONSE CURVES

Frequency response curves have been measured on an axis at a distance of 1 m with 1 W input power.



Catalogue number: 2422 257 44205  
2422 257 44206

**Philips Components**

Data sheet	
status	Product specification
date of issue	May 1990

# AD 51900/W8M

## 5 1/4" Round Woofer

**APPLICATION**

For video applications.

**DESCRIPTION**

• Frame	material: steel finish: zinc black
• Membrane	colour: black
• Suspension	material: foam
• Dust cap	material: mylar colour: alumina high gloss
• Gasket	: none

**TECHNICAL DATA**

<b>Unmounted</b>		
Rated impedance	8	$\Omega$
Voice coil resistance	6.9	$\Omega$
Resonance frequency	72	Hz
Sweep voltage	7.0	V
Magnetic flux density	0.995	T
Loudspeaker mass	388	g
<b>Mounted</b>		
Characteristic sensitivity	86	dB/W/m
Maximum noise power	20.0	W

5 1/4" Round Woofer

AD 51900/W8M

MECHANICAL DATA

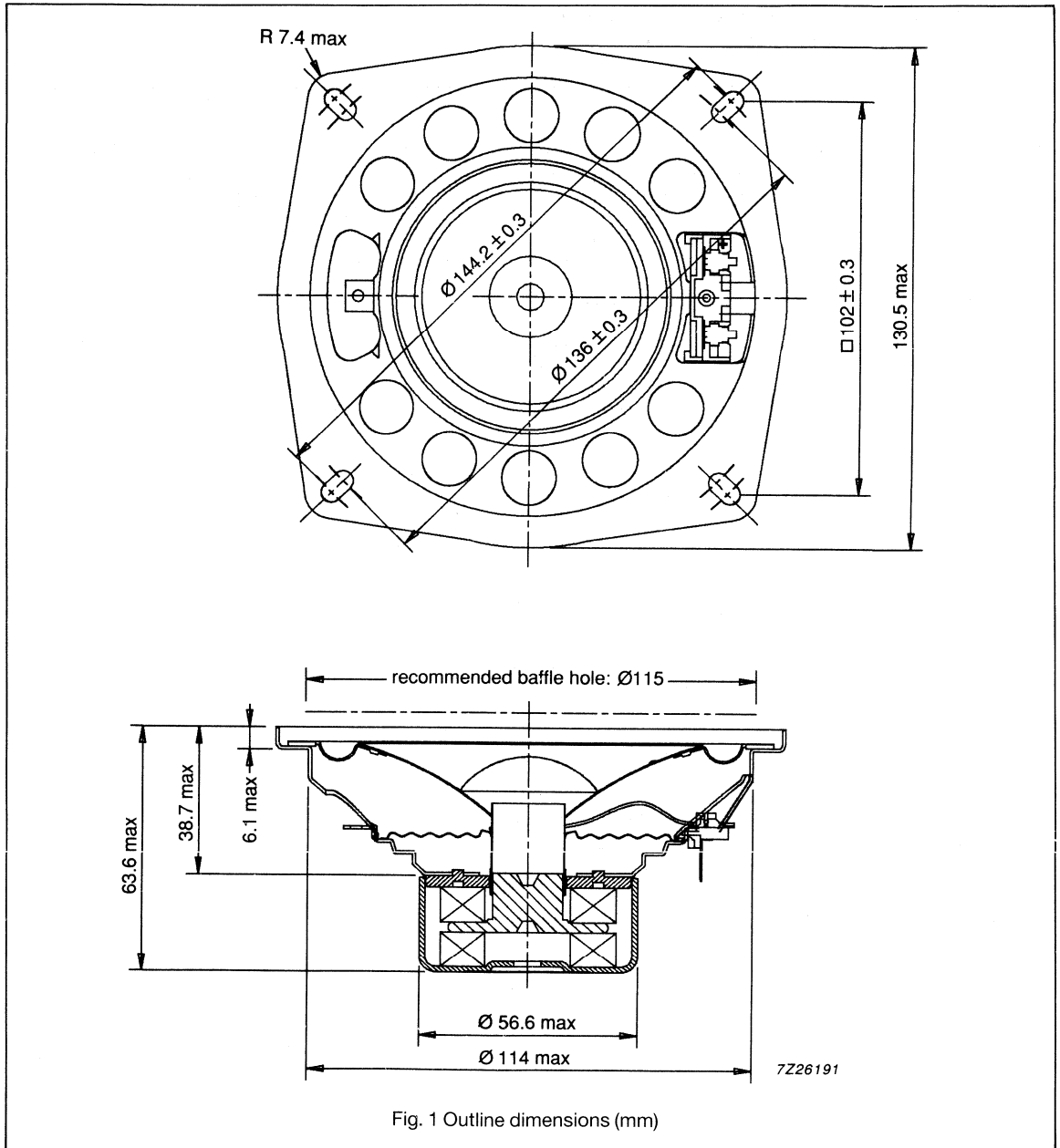
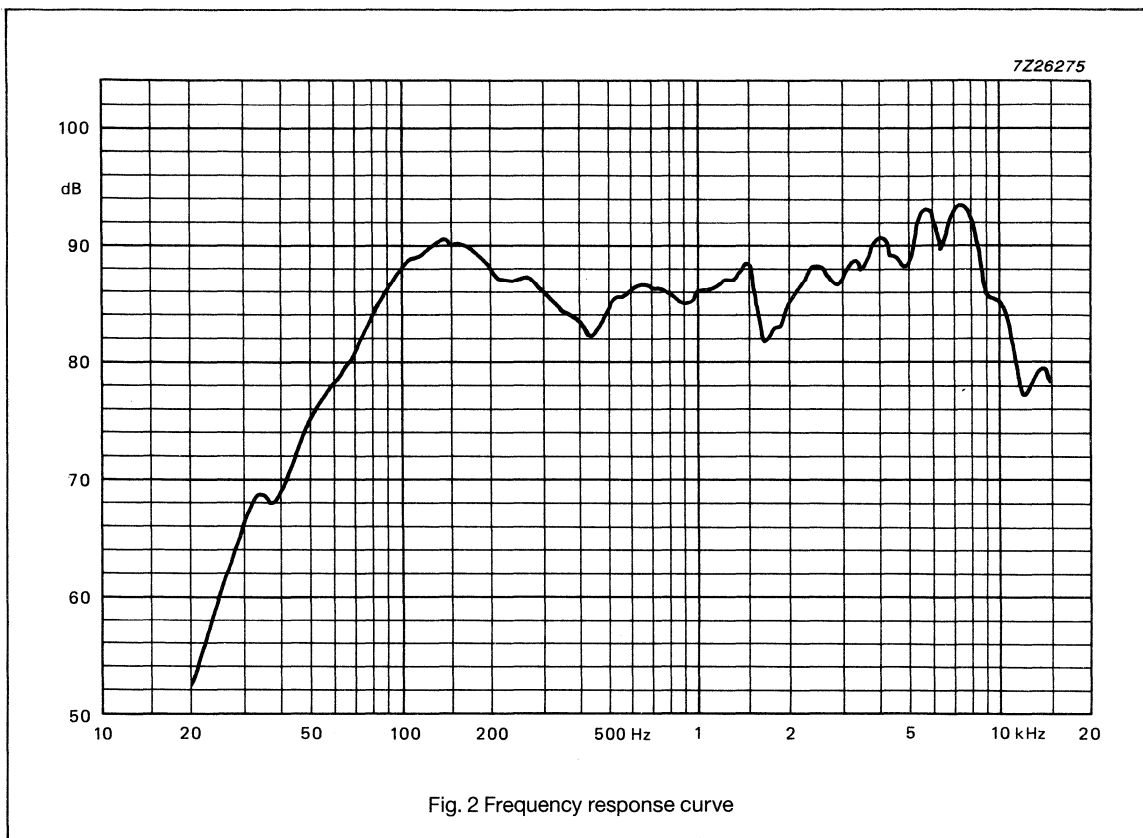


Fig. 1 Outline dimensions (mm)

**5 1/4" Round Woofer****AD 51900/W8M****FREQUENCY RESPONSE CURVES**

Frequency response curves have been measured on an axis at a distance of 1 m with 1 W input power.



Catalogue number: 2422 257 35918

## Philips Components

Data sheet	
status	Product specification
date of issue	November 1989

# 00 70802/W4 7" Round Woofer

### APPLICATION

For audio applications.

### DESCRIPTION

• Frame	material: steel finish: zinc yellow
• Membrane	colour: black
• Suspension	material: paper
• Dust cap	material: mylar colour: silver
• Gasket	none

### TECHNICAL DATA

<b>Unmounted</b>		
Rated impedance	4	$\Omega$
Voice coil resistance	3.4	$\Omega$
Resonance frequency	90	Hz
Sweep voltage	3.9	V
Magnetic flux density	0.68	T
Loudspeaker mass	300	g
<b>Mounted</b>		
Characteristic sensitivity	87	dB/W/m
Maximum noise power	30.0	W

7" Round Woofer

00 70802/W4

MECHANICAL DATA

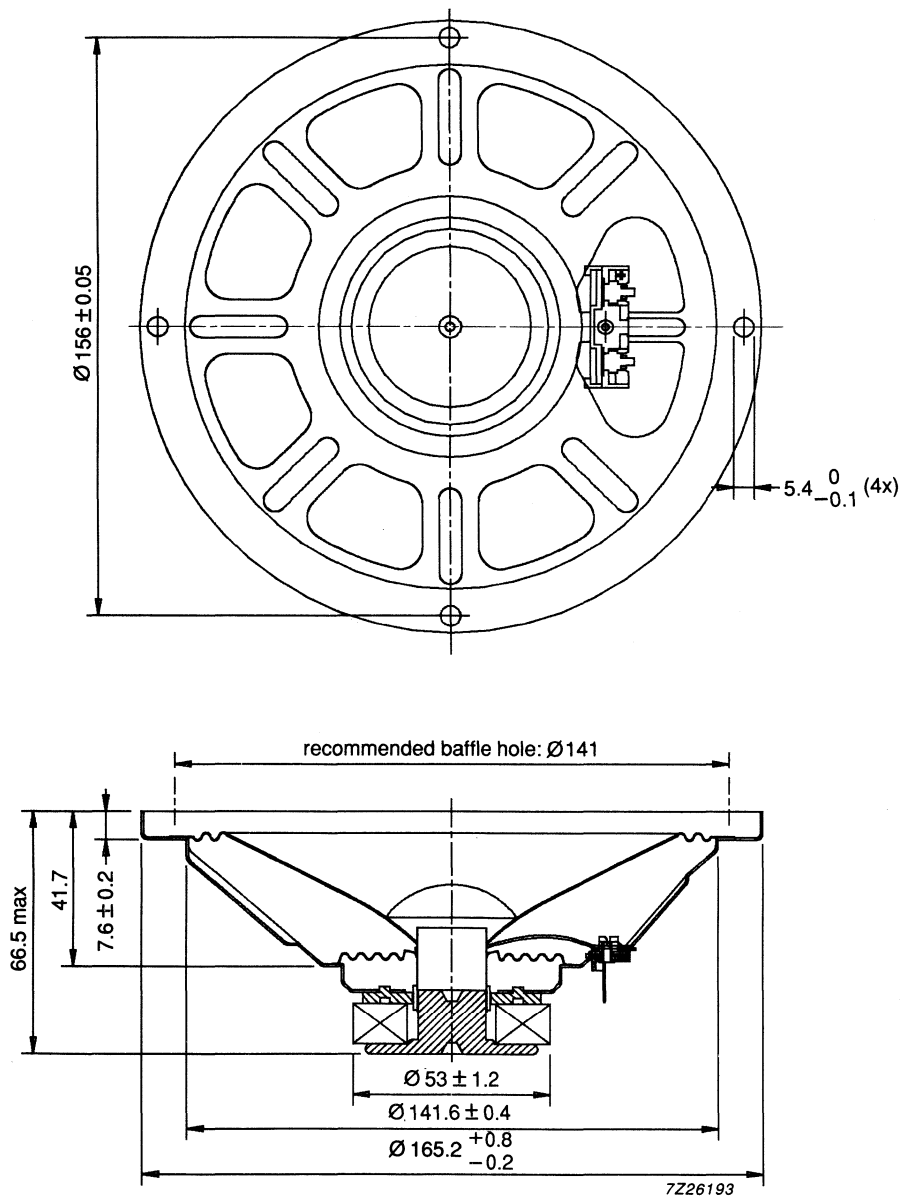


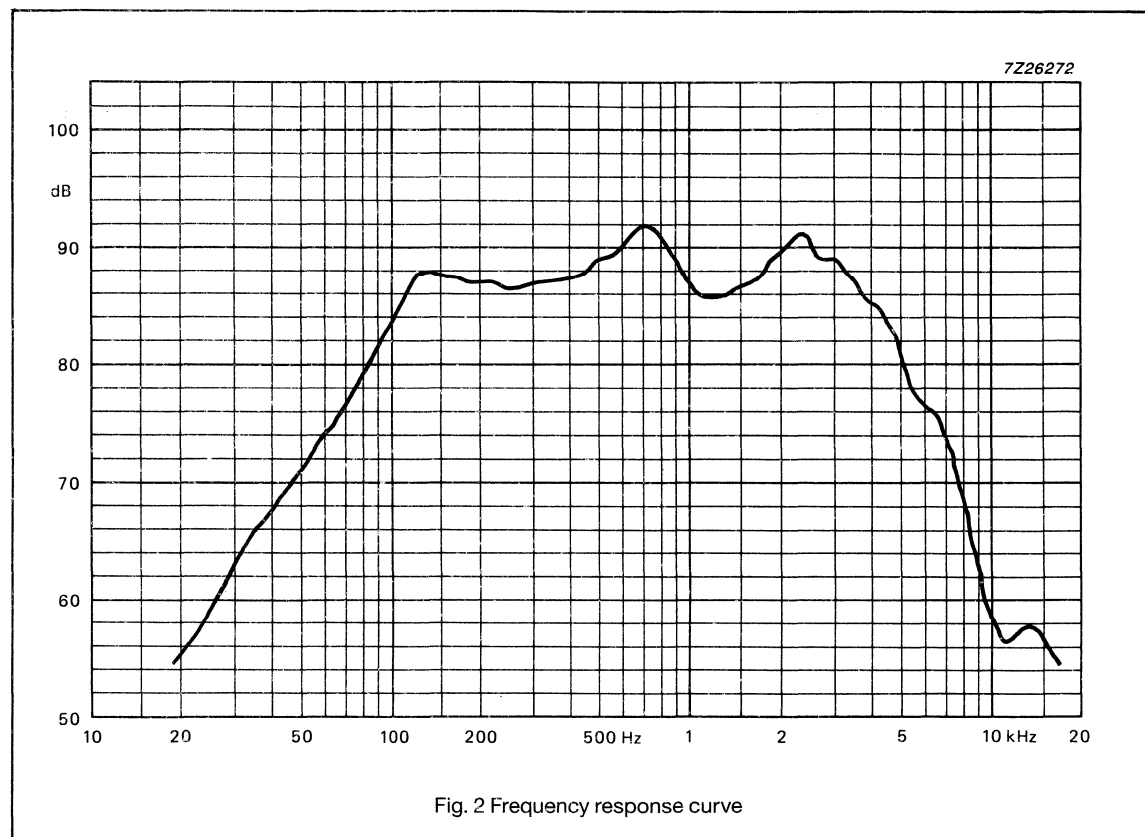
Fig. 1 Outline dimensions (mm)

**7" Round Woofer**

**00 70802/W4**

**FREQUENCY RESPONSE CURVES**

Frequency response curves have been measured on an axis at a distance of 1 m with 1 W input power.



Catalogue number: 2404 257 27812



**Philips Components**

Data sheet	
status	Product specification
date of issue	May 1990

# AD 70803/W8

## 7" Round Woofer

**APPLICATION**

For high power audio applications.

**DESCRIPTION**

• Frame	material: steel finish: zinc yellow
• Membrane	colour: black
• Suspension	material: textile
• Dust cap	material: textile colour: black
• Gasket	: none

**TECHNICAL DATA**

<b>Unmounted</b>		
Rated impedance	8	$\Omega$
Voice coil resistance	6.5	$\Omega$
Resonance frequency	65	Hz
Sweep voltage	5.5	V
Magnetic flux density	0.68	T
Electro mechanical force factor	3.6	Wb/m
Effective piston area	133	cm <sup>2</sup>
Total moving mass	6.8	g
Equivalent volume	17	dm <sup>3</sup>
Electrical quality factor	1.30	
Mechanical quality factor	4.23	
Total quality factor	1.00	
Loudspeaker mass	300	g
<b>Mounted</b>		
Characteristic sensitivity	86	dB/W/m
Maximum noise power	28.0	W

# 7" Round Woofer

## AD 70803/W8

### MECHANICAL DATA

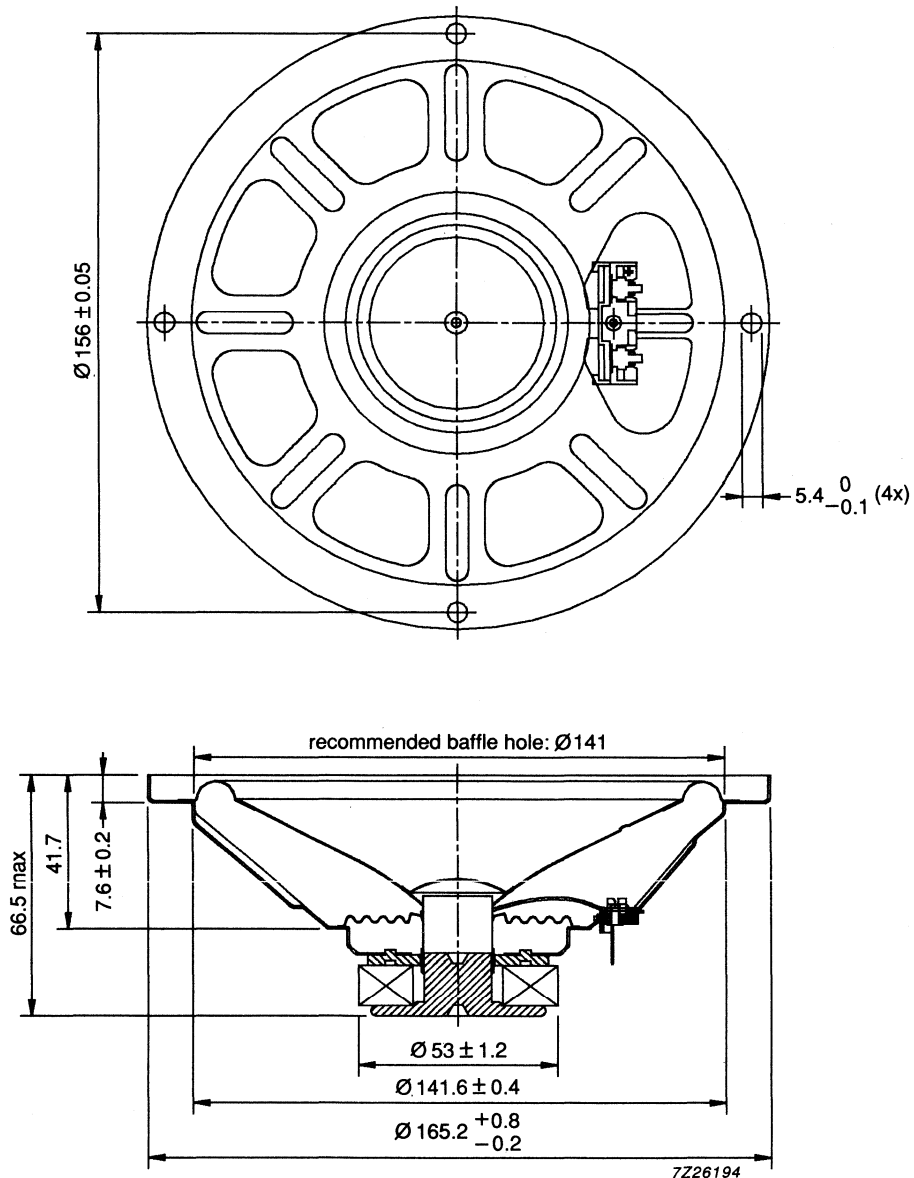
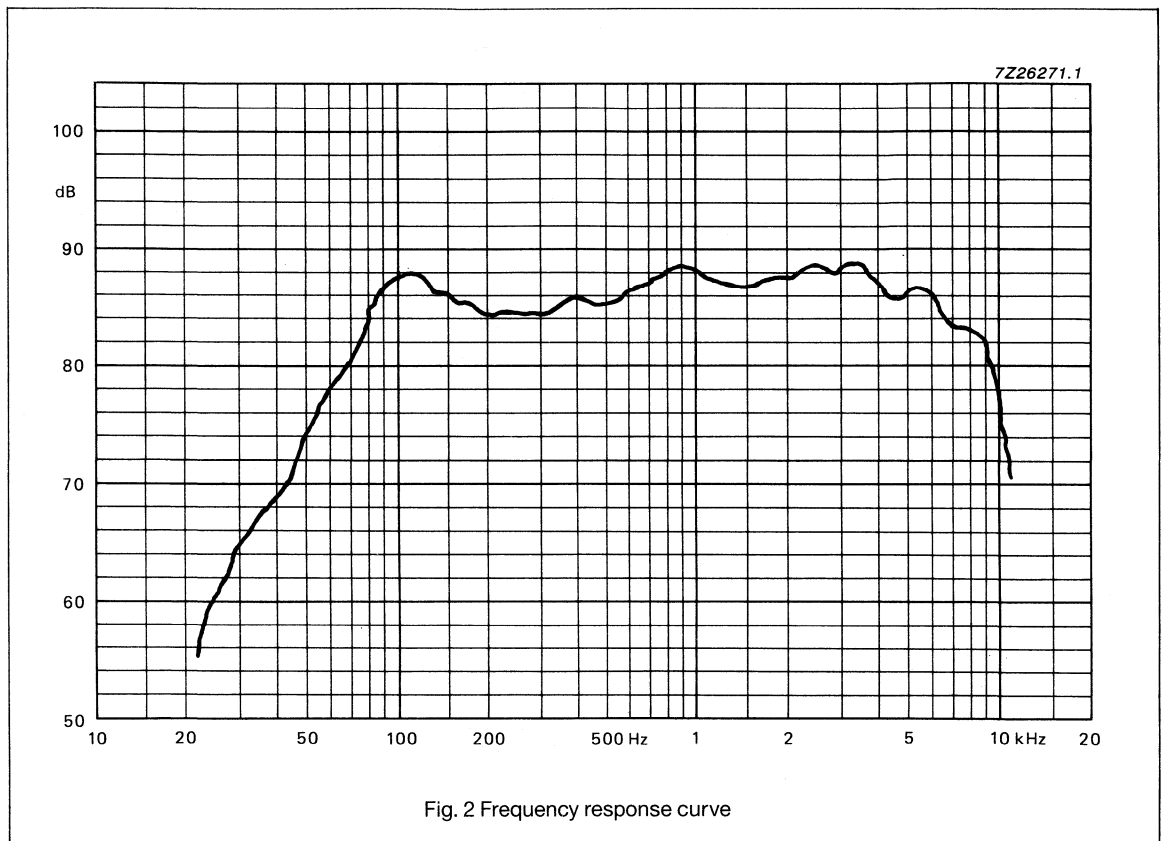


Fig. 1 Outline dimensions (mm)

**7" Round Woofer****AD 70803/W8****FREQUENCY RESPONSE CURVES**

Frequency response curves have been measured on an axis at a distance of 1 m with 1 W input power.



Catalogue number: 2422 257 27808

## Philips Components

Data sheet	
status	Product specification
date of issue	November 1989

# 00 70805/W8 7" Round Woofer

### APPLICATION

For high power audio applications.

### DESCRIPTION

• Frame	material: steel finish: zinc yellow
• Membrane	colour: black
• Suspension	material: textile
• Dust cap	material: cardboard colour: grey
• Gasket	none

### TECHNICAL DATA

<b>Unmounted</b>		
Rated impedance	8	$\Omega$
Voice coil resistance	6.9	$\Omega$
Resonance frequency	74	Hz
Sweep voltage	5.5	V
Magnetic flux density	0.98	T
Electro mechanical force factor	2.9	Wb/m
Effective piston area	133	cm <sup>2</sup>
Total moving mass	6.3	g
Equivalent volume	14.7	dm <sup>3</sup>
Electrical quality factor	2.16	
Mechanical quality factor	3.33	
Total quality factor	1.31	
Loudspeaker mass	300	g
<b>Mounted</b>		
Characteristic sensitivity	87	dB/W/m
Maximum noise power	25.0	W

## 7" Round Woofer

00 70805/W8

## MECHANICAL DATA

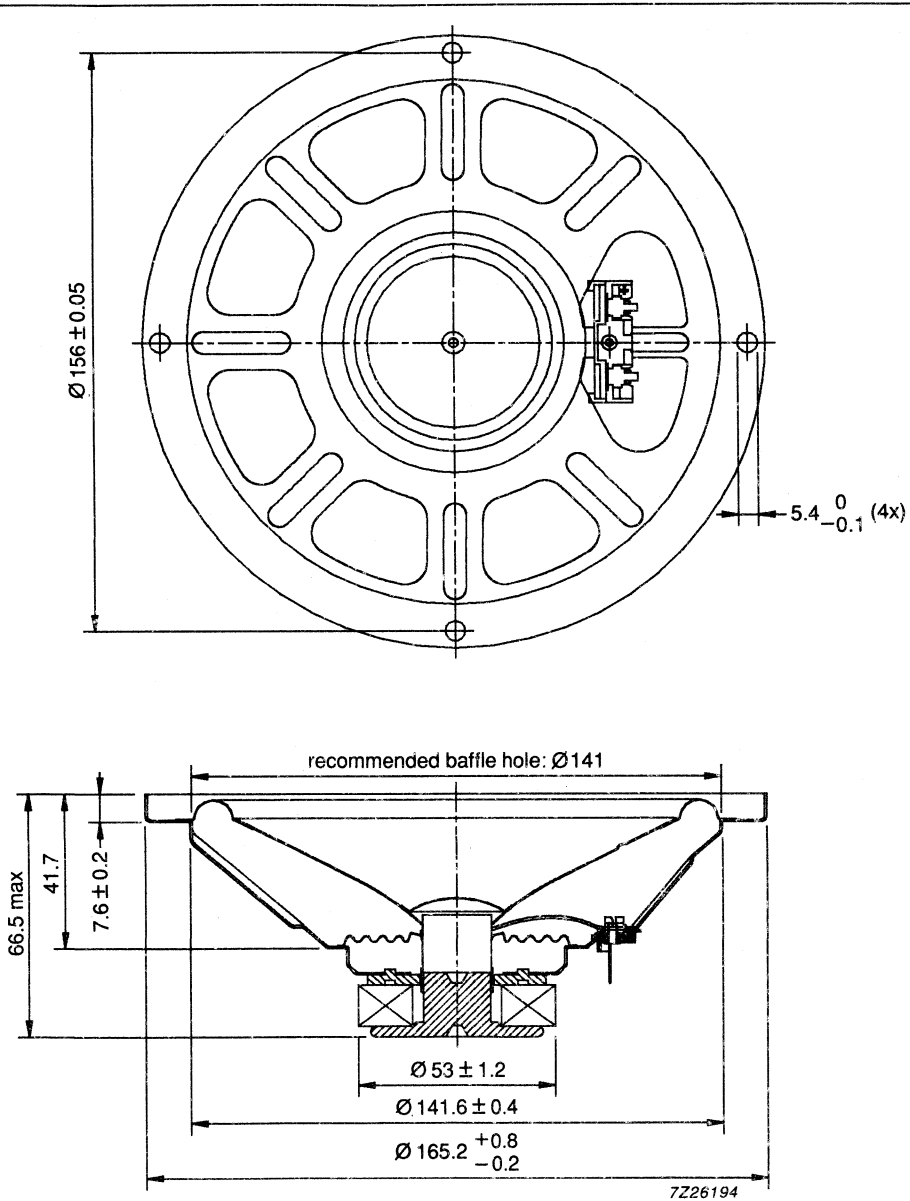
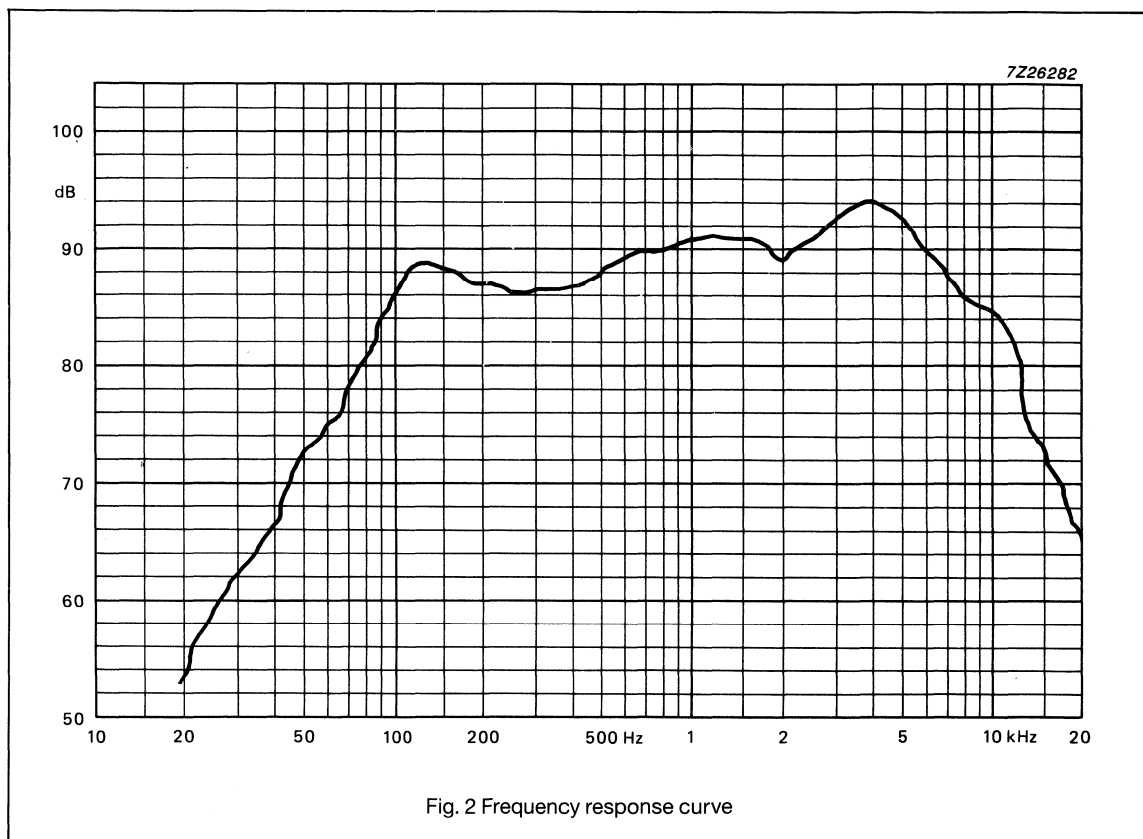


Fig. 1 Outline dimensions (mm)

**7" Round Woofer****00 70805/W8****FREQUENCY RESPONSE CURVES**

Frequency response curves have been measured on an axis at a distance of 1 m with 1 W input power.



Catalogue number: 2404 257 27904

**Philips Components**

Data sheet	
status	Product specification
date of issue	May 1990

# 00 70400/W8

## 7" Round Woofer

**APPLICATION**

For high power applications.

**DESCRIPTION**

• Frame	material: steel finish: zinc yellow
• Membrane	colour: black
• Suspension	material: textile
• Dust cap	material: cardboard colour: grey
• Gasket	: none

**TECHNICAL DATA**

<b>Unmounted</b>		
Rated impedance	8	$\Omega$
Voice coil resistance	6.9	$\Omega$
Resonance frequency	74	Hz
Sweep voltage	5.5	V
Magnetic flux density	1.17	T
Electro mechanical force factor	3.7	Wb/m
Effective piston area	133	cm <sup>2</sup>
Total moving mass	6.3	g
Equivalent volume	14.7	dm <sup>3</sup>
Electrical quality factor	1.32	
Mechanical quality factor	3.27	
Total quality factor	0.94	
Loudspeaker mass	390	g
<b>Mounted</b>		
Characteristic sensitivity	89	dB/W/m
Maximum noise power	30.0	W

7" Round Woofer

00 70400/W8

MECHANICAL DATA

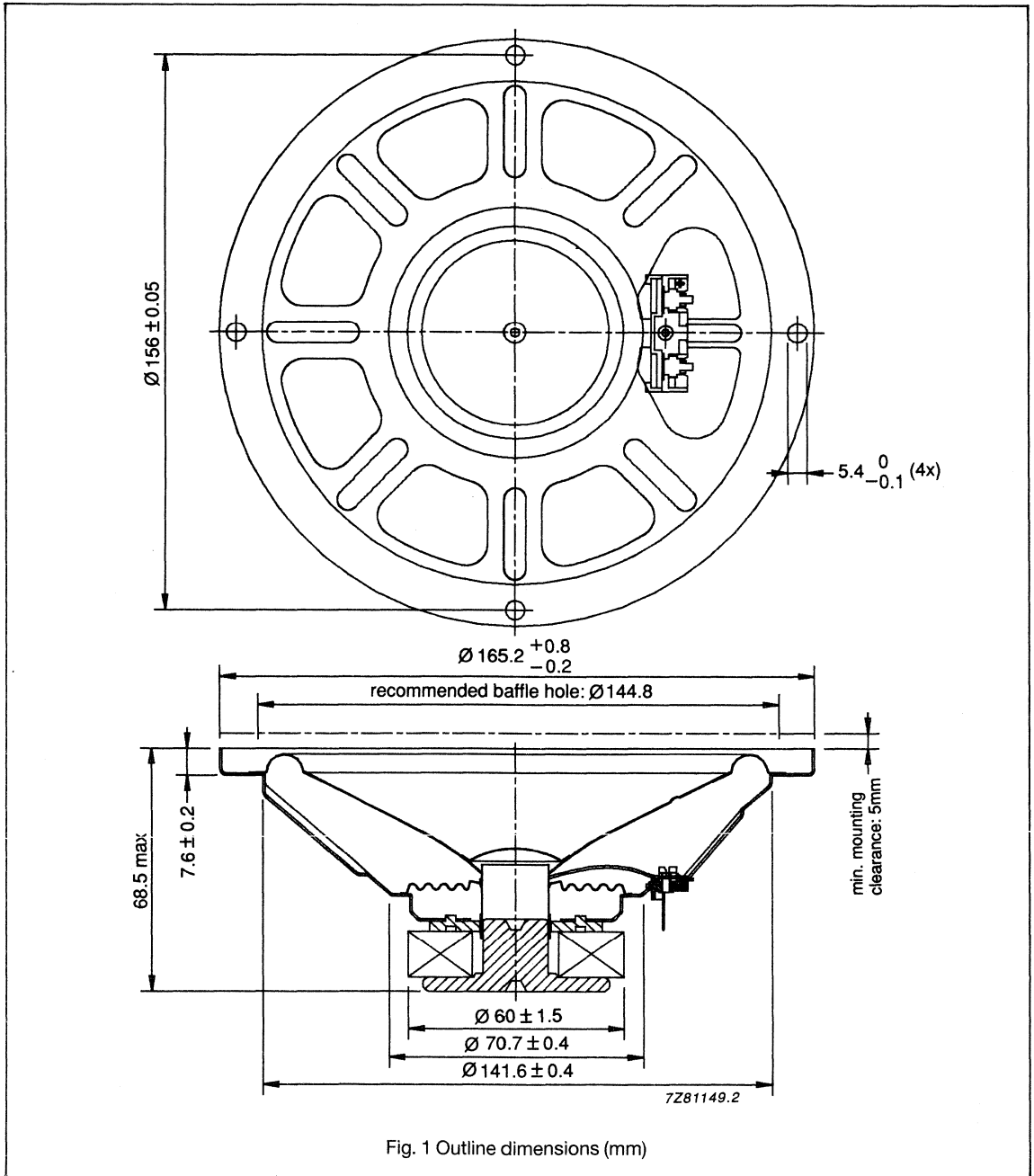
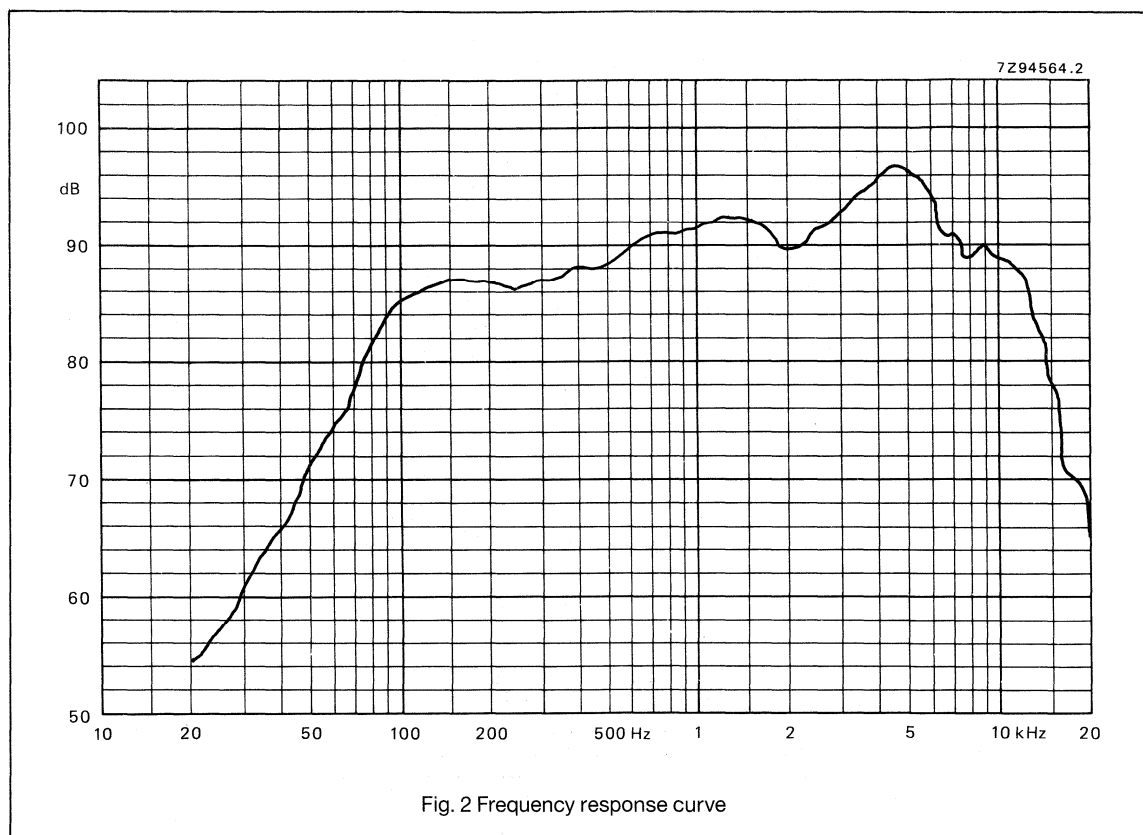


Fig. 1 Outline dimensions (mm)



**7" Round Woofer****00 70400/W8****FREQUENCY RESPONSE CURVES**

Frequency response curves have been measured on an axis at a distance of 1 m with 1 W input power.



Catalogue number: 2404 257 27202

## Philips Components

Data sheet	
status	Product specification
date of issue	May 1990

# AD 70604 series 7" Round Woofer

### APPLICATION

For high power audio applications.

### DESCRIPTION

• Frame	material: steel finish: zinc yellow
• Membrane	colour: black
• Suspension	material: foam
• Dust cap	material: textile colour: black
• Gasket	: none

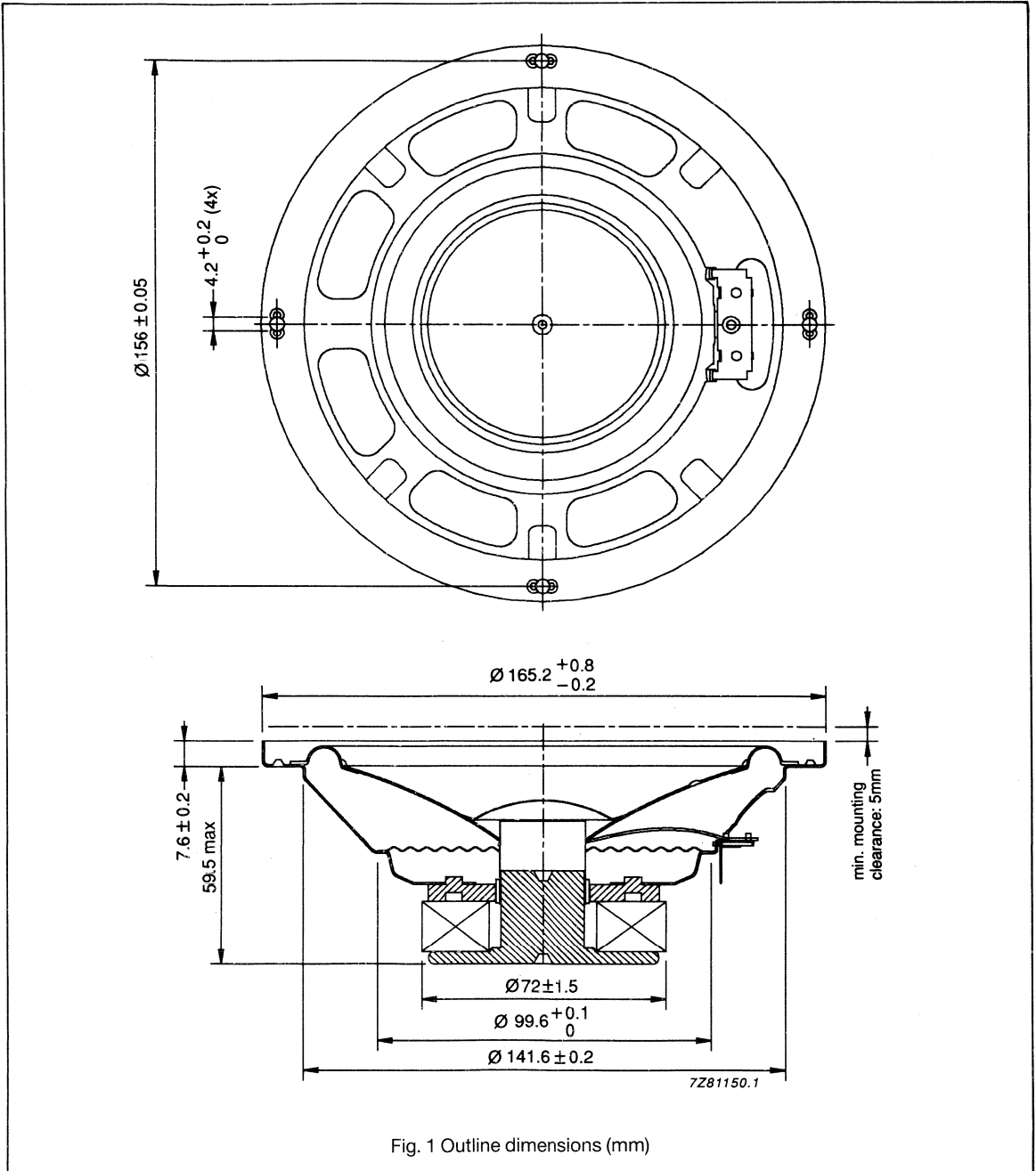
### TECHNICAL DATA

	version		unit
	/W4	/W8	
<b>Unmounted</b>			
Rated impedance	4	8	$\Omega$
Voice coil resistance	3.5	6.3	$\Omega$
Resonance frequency		48	Hz
Sweep voltage	6.3	9.0	V
Magnetic flux density		0.72	T
Electro mechanical force factor	4.7	5.3	Wb/m
Effective piston area		133	cm <sup>2</sup>
Total moving mass		13.0	g
Equivalent volume		17.8	dm <sup>3</sup>
Electrical quality factor	1.61	1.13	
Mechanical quality factor	4.20	4.30	
Total quality factor	1.15	0.89	
Loudspeaker mass		750	g
<b>Mounted</b>			
Characteristic sensitivity		85	dB/W/m
Maximum noise power		40	W

7" Round Woofer

AD 70604 series

MECHANICAL DATA

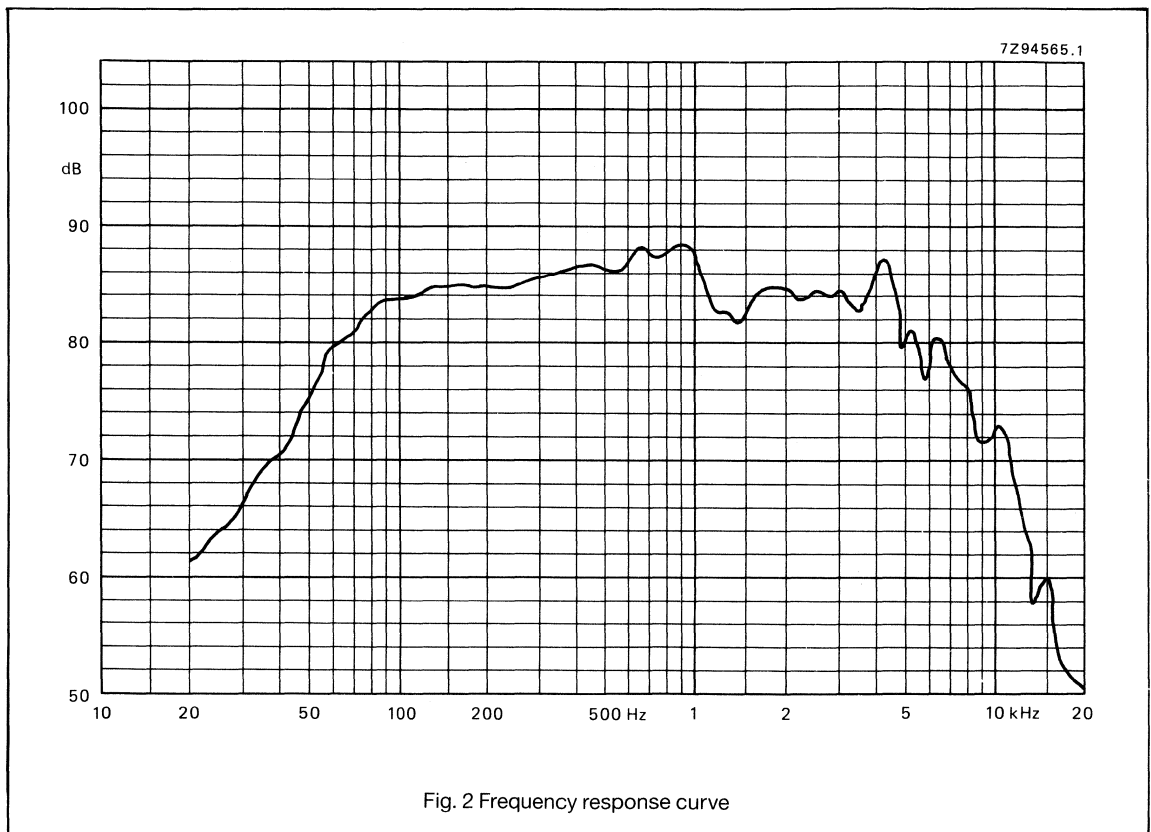


## 7" Round Woofer

## AD 70604 series

### FREQUENCY RESPONSE CURVES

Frequency response curves have been measured on an axis at a distance of 1 m with 1 W input power.



Catalogue number: 2422 257 47113  
2422 257 47114

# AD 70654 series

## 7" Round Woofer

Data sheet	
status	Product specification
date of issue	May 1990

### APPLICATION

For high power audio applications.

### DESCRIPTION

• Frame	material: steel finish: zinc yellow
• Membrane	colour: black
• Suspension	material: foam
• Dust cap	material: textile colour: black
• Gasket	: none

### TECHNICAL DATA

	version		unit
	/W4	/W8	
<b>Unmounted</b>			
Rated impedance	4	8	$\Omega$
Voice coil resistance	3.5	6.3	$\Omega$
Resonance frequency		48	Hz
Sweep voltage	5.0	6.3	V
Magnetic flux density		1.02	T
Electro mechanical force factor	6.7	7.5	Wb/m
Effective piston area		133	cm <sup>2</sup>
Total moving mass		13.0	g
Equivalent volume		17.8	dm <sup>3</sup>
Electrical quality factor	3.27	2.20	
Mechanical quality factor	2.71	2.98	
Total quality factor	1.48	1.26	
Loudspeaker mass		1.1	kg
<b>Mounted</b>			
Characteristic sensitivity		88.5	dB/W/m
Maximum noise power		50	W

7" Round Woofer

AD 70654 series

MECHANICAL DATA

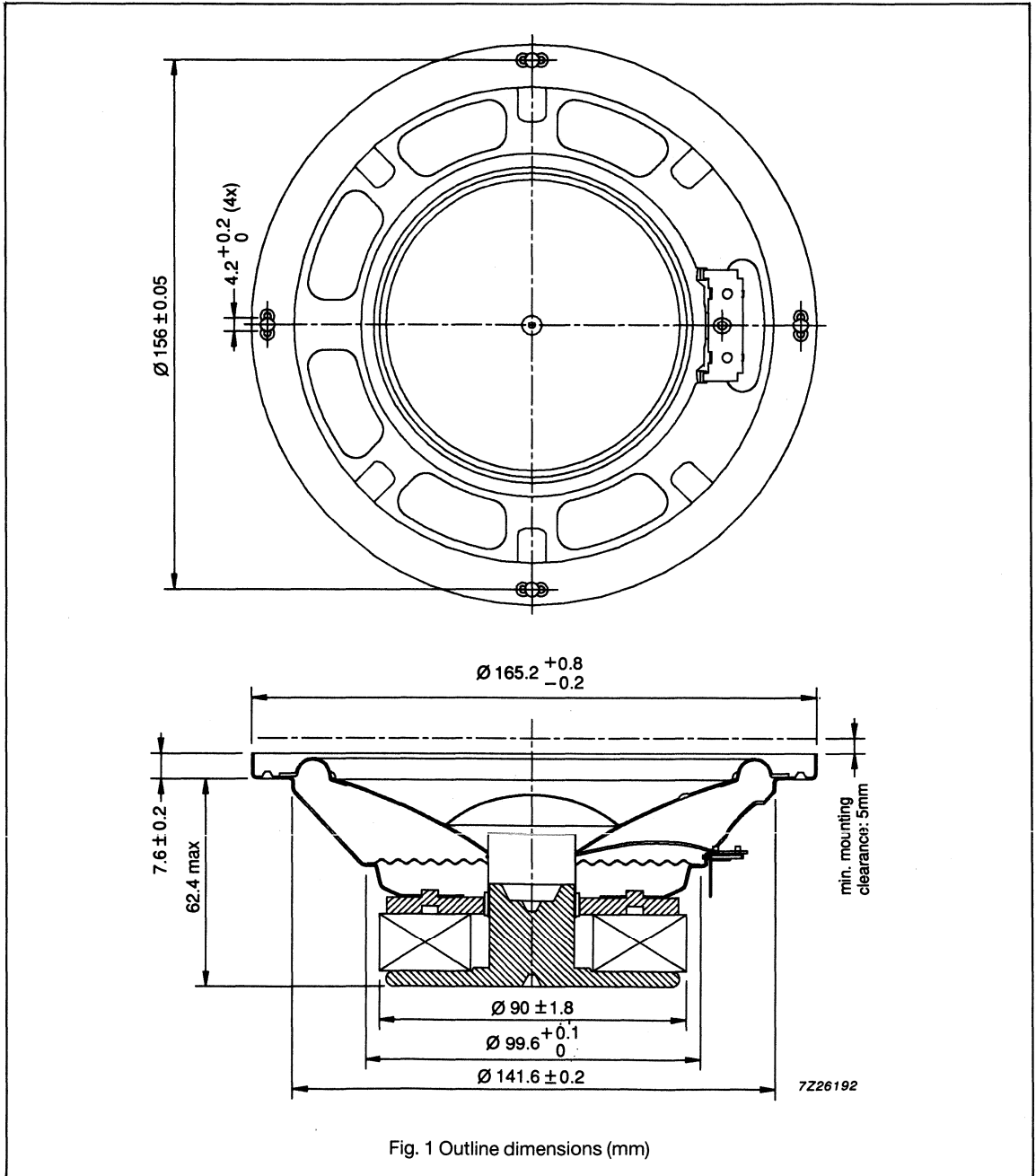
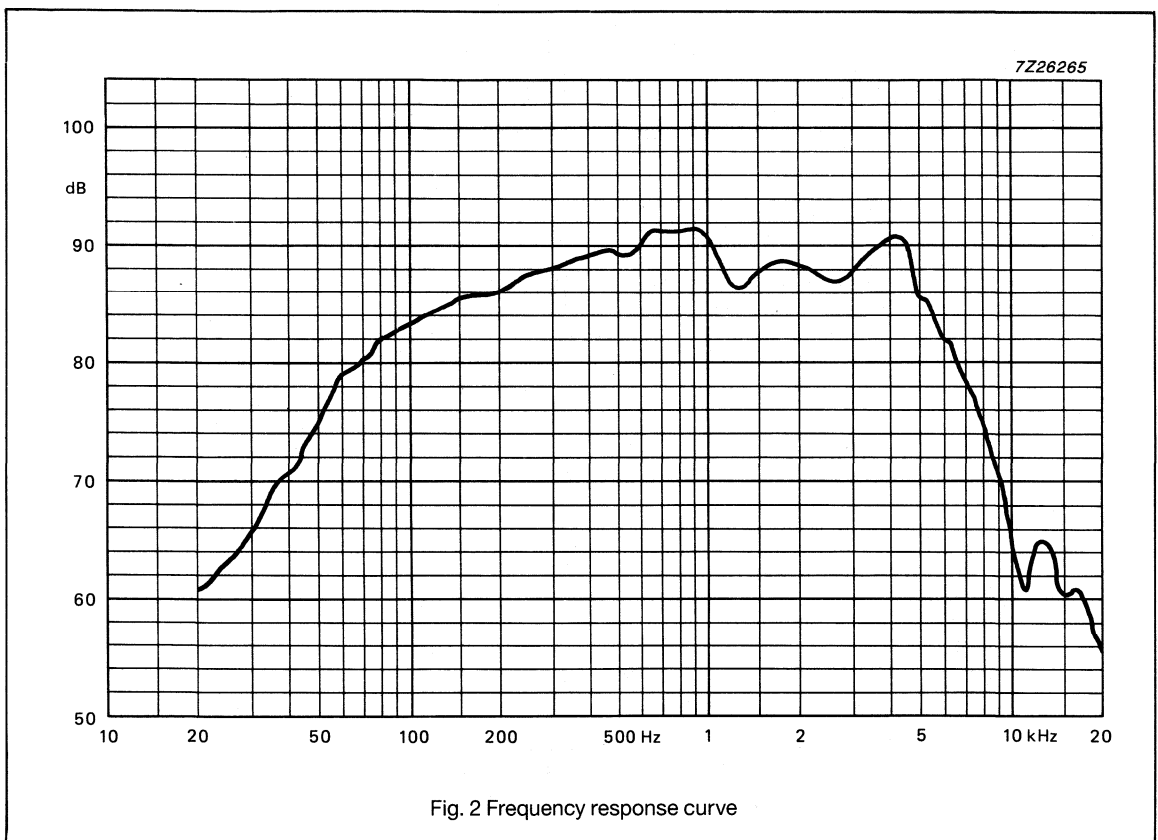


Fig. 1 Outline dimensions (mm)

**7" Round Woofer****AD 70654 series****FREQUENCY RESPONSE CURVES**

Frequency response curves have been measured on an axis at a distance of 1 m with 1 W input power.



Catalogue number: 2422 257 47215

2422 257 47216

**Philips Components**

<b>Data sheet</b>	
<b>status</b>	Product specification
<b>date of issue</b>	November 1989

# 00 80800 series

## 8" Round Woofer

**APPLICATION**

For high power audio applications.

**DESCRIPTION**

• Frame/front plane	material: steel finish: zinc yellow
• Membrane	colour: black
• Suspension	material: textile
• Dust cap	material: textile colour: black
• Gasket	none

**TECHNICAL DATA**

	<b>version</b>		<b>unit</b>
	<b>/W4</b>	<b>/W8</b>	
<b>Unmounted</b>			
Rated impedance	4	8	$\Omega$
Voice coil resistance	3.4	6.5	$\Omega$
Resonance frequency	52	53	Hz
Sweep voltage	3.9	5.5	V
Magnetic flux density		0.68	T
Electro mechanical force factor	3.4	3.6	Wb/m
Effective piston area		200	cm <sup>2</sup>
Total moving mass		10.6	g
Equivalent volume	47.6	50.0	dm <sup>3</sup>
Electrical quality factor	0.97	1.44	
Mechanical quality factor	5.40	5.30	
Total quality factor	0.82	1.13	
Loudspeaker mass		400	g
<b>Mounted</b>			
Characteristic sensitivity	89	88	dB/W/m
Maximum noise power		25	W



8" Round Woofer

00 80800 series

MECHANICAL DATA

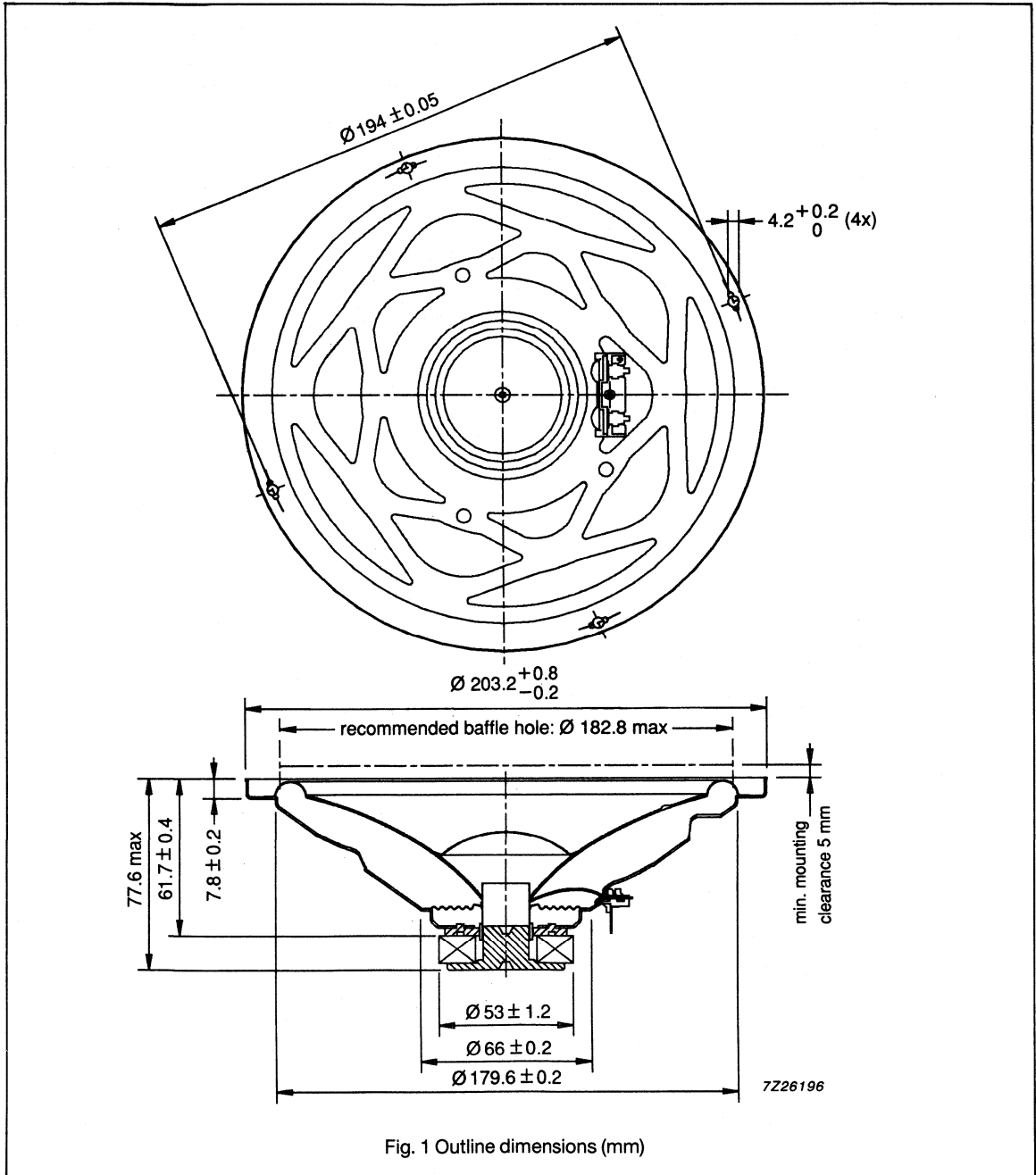
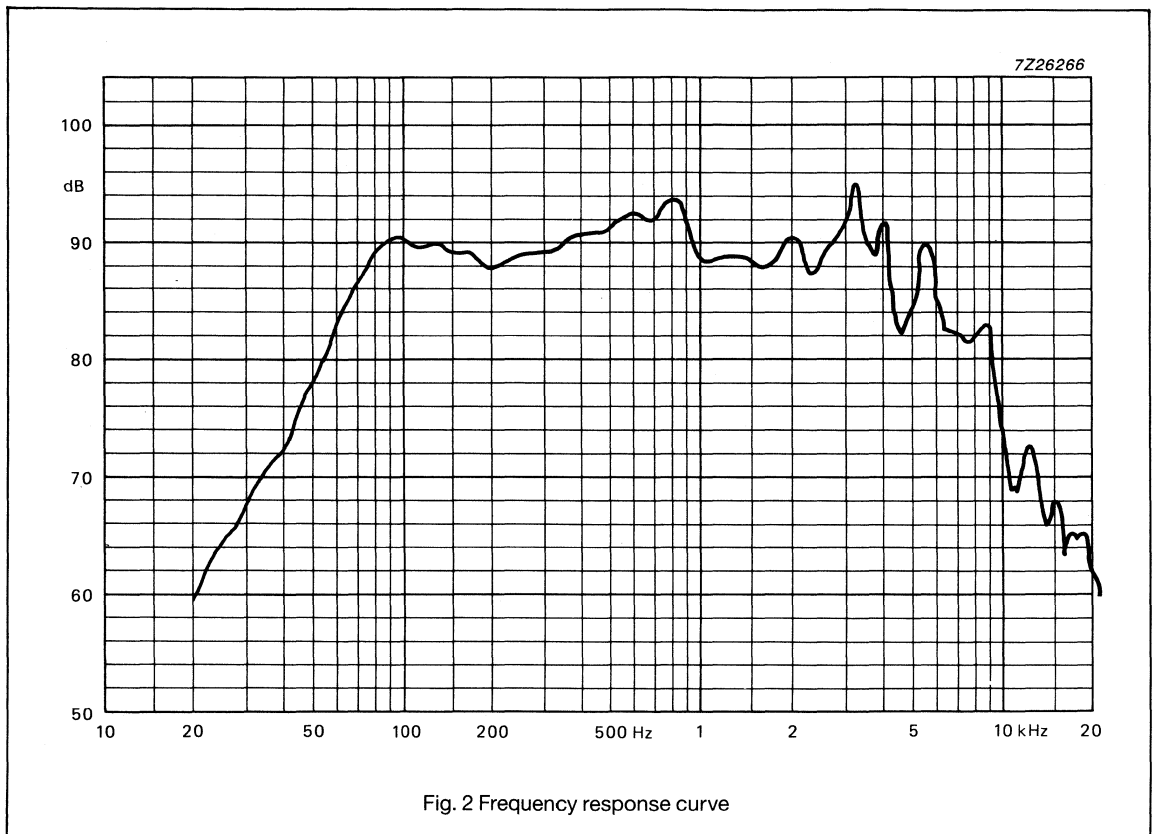


Fig. 1 Outline dimensions (mm)

**8" Round Woofer****00 80800 series****FREQUENCY RESPONSE CURVES**

Frequency response curves have been measured on an axis at a distance of 1 m with 1 W input power.



Catalogue number: 2422 257 38805  
2422 257 38806

**Philips Components**

Data sheet	
status	Product specification
date of issue	December 1989

# 00 80400/W4

## 8" Round Woofer

**APPLICATION**

For high power audio applications.

**DESCRIPTION**

• Frame	material: steel finish: zinc yellow
• Membrane	colour: black
• Suspension	material: textile
• Dust cap	material: textile colour: black
• Gasket	none

**TECHNICAL DATA**

<b>Unmounted</b>		
Rated impedance	4	$\Omega$
Voice coil resistance	3.4	$\Omega$
Resonance frequency	52	Hz
Sweep voltage	4.0	V
Magnetic flux density	0.85	T
Electro mechanical force factor	3.5	Wb/m
Effective piston area	200	cm <sup>2</sup>
Total moving mass	10.6	g
Equivalent volume	47.5	dm <sup>3</sup>
Electrical quality factor	0.86	
Mechanical quality factor	5.00	
Total quality factor	0.73	
Loudspeaker mass	470	g
<b>Mounted</b>		
Characteristic sensitivity	90.0	dB/W/m
Maximum noise power	25.0	W

8" Round Woofer

00 80400/W4

MECHANICAL DATA

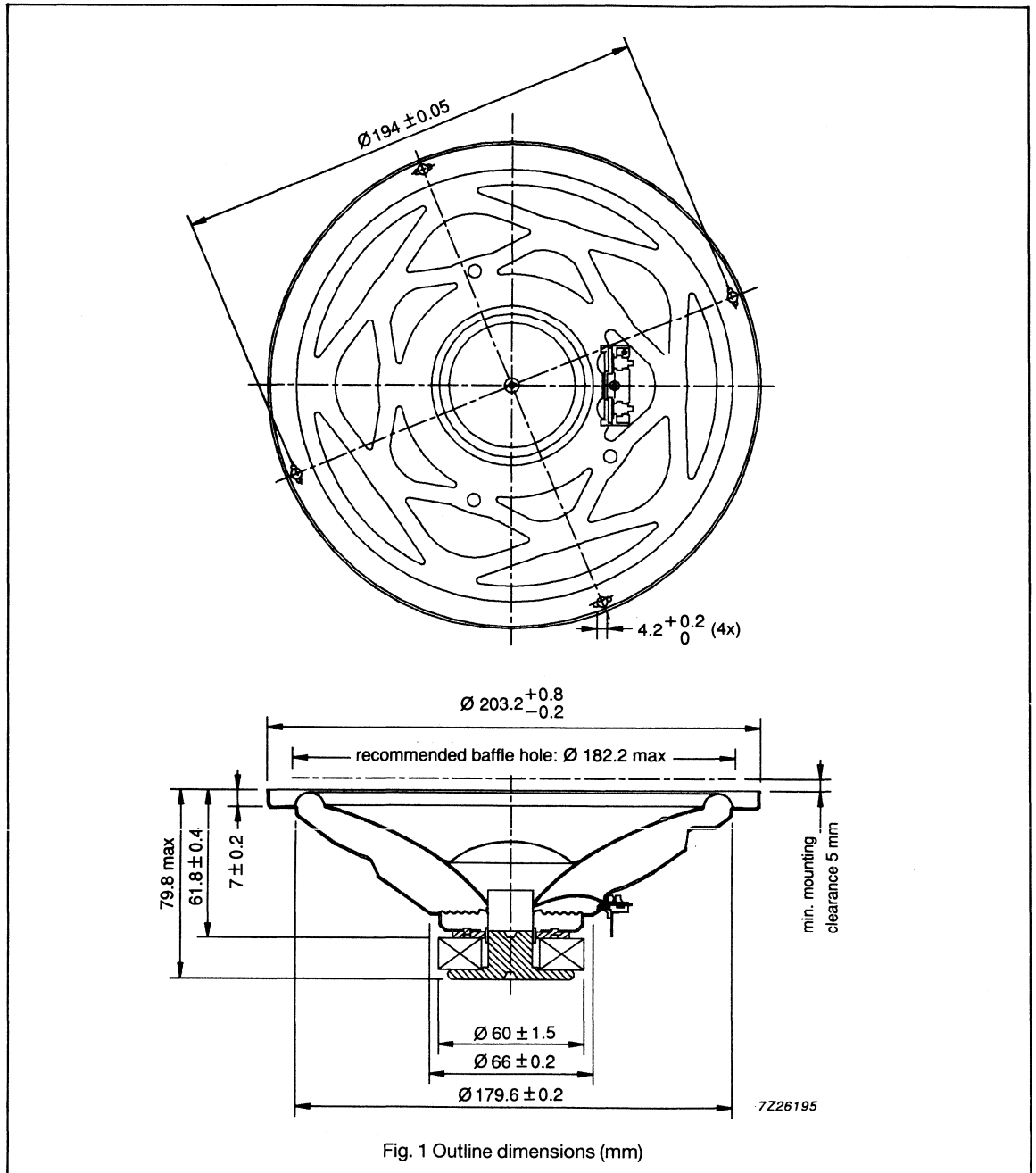


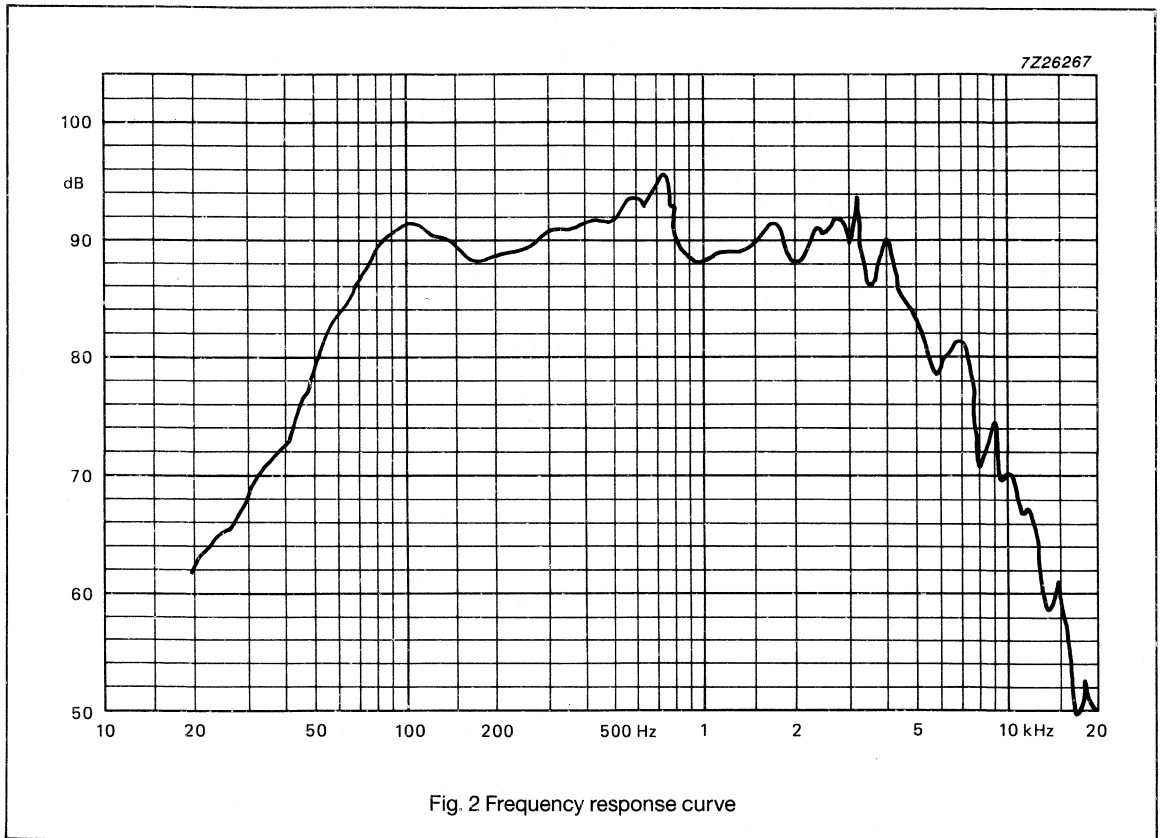
Fig. 1 Outline dimensions (mm)

# 8" Round Woofer

00 80400/W4

## FREQUENCY RESPONSE CURVES

Frequency response curves have been measured on an axis at a distance of 1 m with 1 W input power.



Catalogue number: 2422 257 28203

## Philips Components

Data sheet	
status	Product specification
date of issue	May 1990

# AD 80622 series 8" Round Woofer

### APPLICATION

For high power audio applications.

### DESCRIPTION

- |              |  |
|--------------|--|
| • Frame      | material: steel<br>finish: zinc yellow |
| • Membrane   | colour: black                          |
| • Suspension | material: foam                         |
| • Dust cap   | material: textile<br>colour: black     |
| • Gasket     | : none                                 |

### TECHNICAL DATA

	version		unit
	/W4	/W8	
<b>Unmounted</b>			
Rated impedance	4	8	$\Omega$
Voice coil resistance	3.6	7.2	$\Omega$
Resonance frequency		42	Hz
Sweep voltage	4.6	6.3	V
Magnetic flux density		0.93	T
Electro mechanical force factor	4.5	5.0	Wb/m
Effective piston area		200	cm <sup>2</sup>
Total moving mass		13.0	g
Equivalent volume	57.8	57.6	dm <sup>3</sup>
Electrical quality factor	0.78	0.90	
Mechanical quality factor	3.20	3.80	
Total quality factor	0.63	0.73	
Loudspeaker mass		750	g
<b>Mounted</b>			
Characteristic sensitivity		90	dB/W/m
Maximum noise power		50	W

8" Round Woofer

AD 80622 series

MECHANICAL DATA

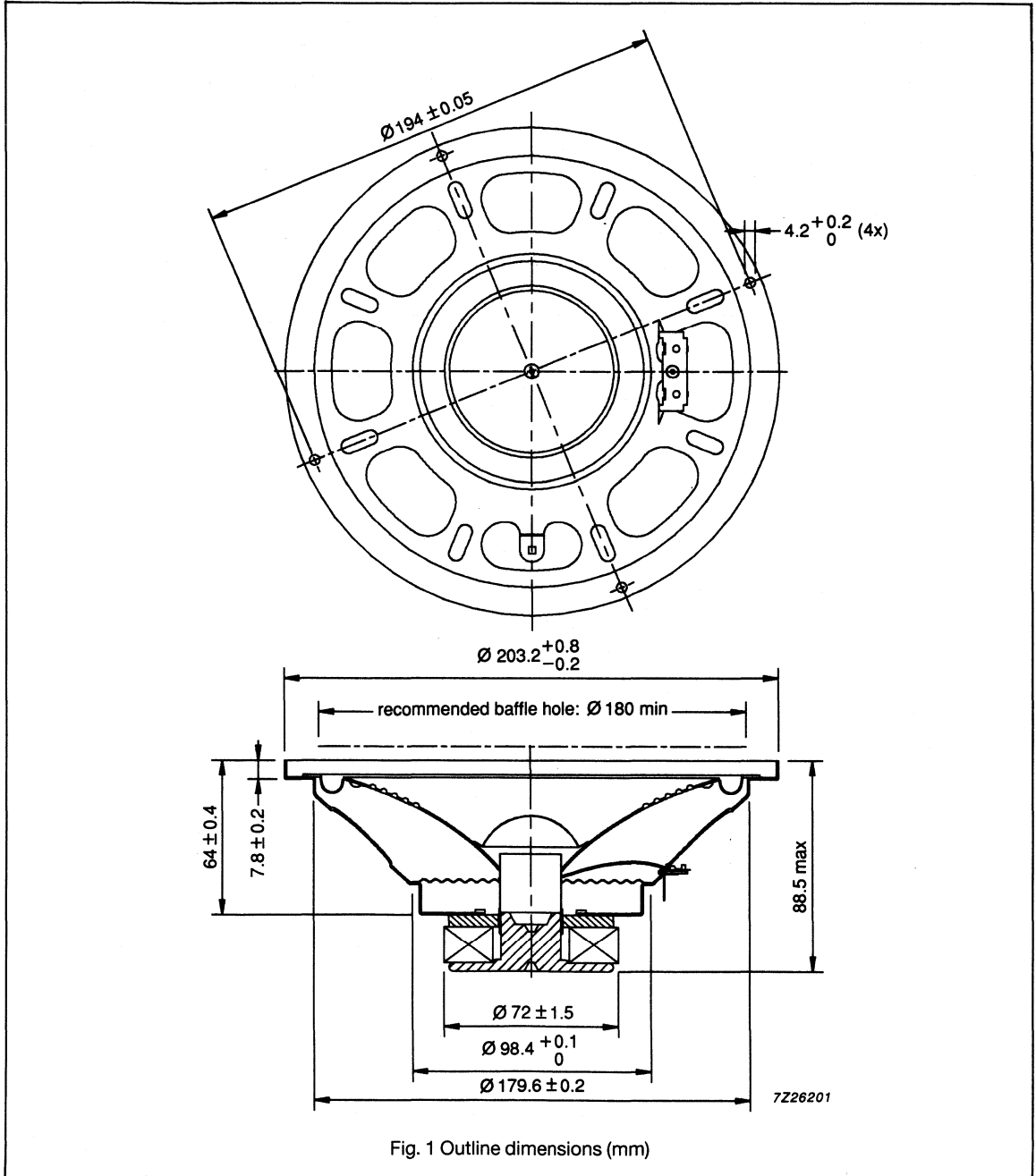


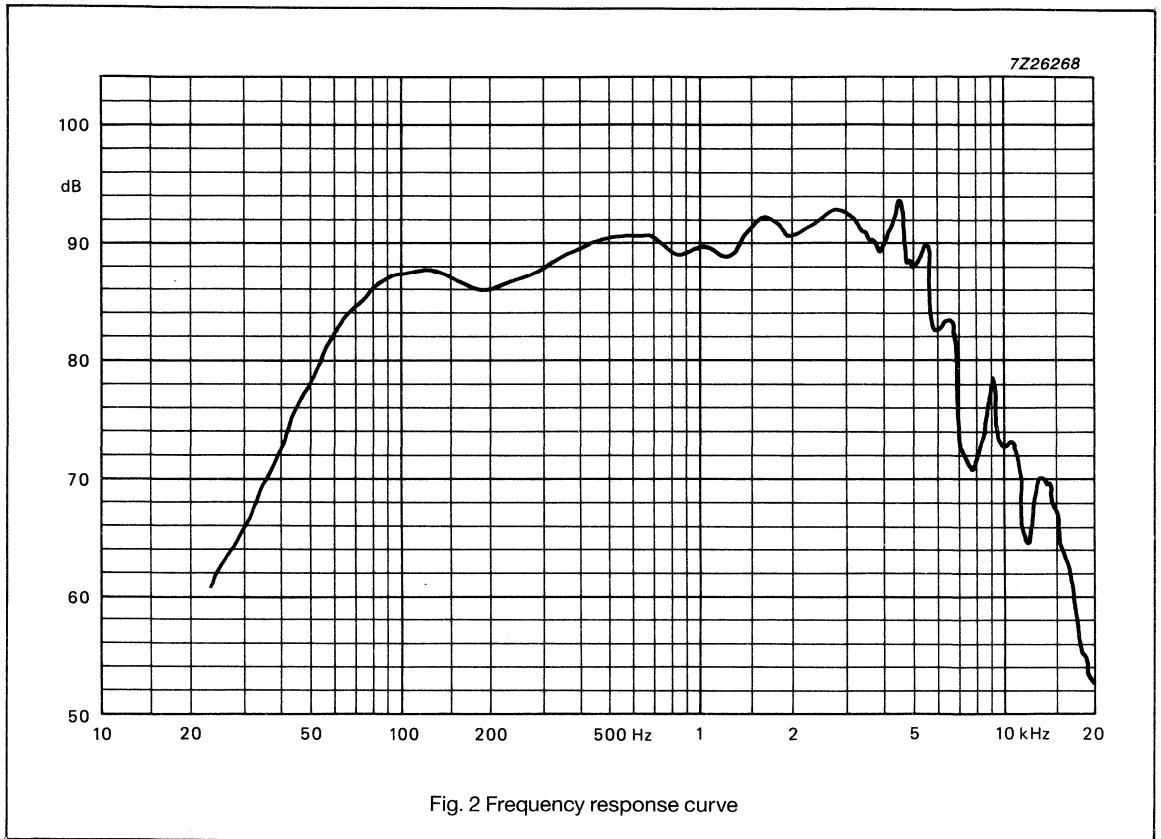
Fig. 1 Outline dimensions (mm)

# 8" Round Woofer

# AD 80622 series

## FREQUENCY RESPONSE CURVES

Frequency response curves have been measured on an axis at a distance of 1 m with 1 W input power.



Catalogue number: 2422 257 48402  
 2422 257 48403



Data sheet	
status	Product specification
date of issue	May 1990

# AD 80623/W4

## 8" Round Woofer

### APPLICATION

For high power audio applications.

### DESCRIPTION

• Frame	material: steel finish: zinc yellow
• Membrane	colour: black
• Suspension	material: foam
• Dust cap	material: textile colour: black
• Gasket	none

### TECHNICAL DATA

Unmounted		
Rated impedance	4	$\Omega$
Voice coil resistance	3.4	$\Omega$
Resonance frequency	46	Hz
Sweep voltage	6.3	V
Magnetic flux density	0.72	T
Electro mechanical force factor	4.7	Wb/m
Effective piston area	200	cm <sup>2</sup>
Total moving mass	14.0	g
Equivalent volume	45.1	dm <sup>3</sup>
Electrical quality factor	0.57	
Mechanical quality factor	4.18	
Total quality factor	0.50	
Loudspeaker mass	770	g
Mounted		
Characteristic sensitivity	90.0	dB/W/m
Maximum noise power	60.0	W

8" Round Woofer

AD 80623/W4

MECHANICAL DATA

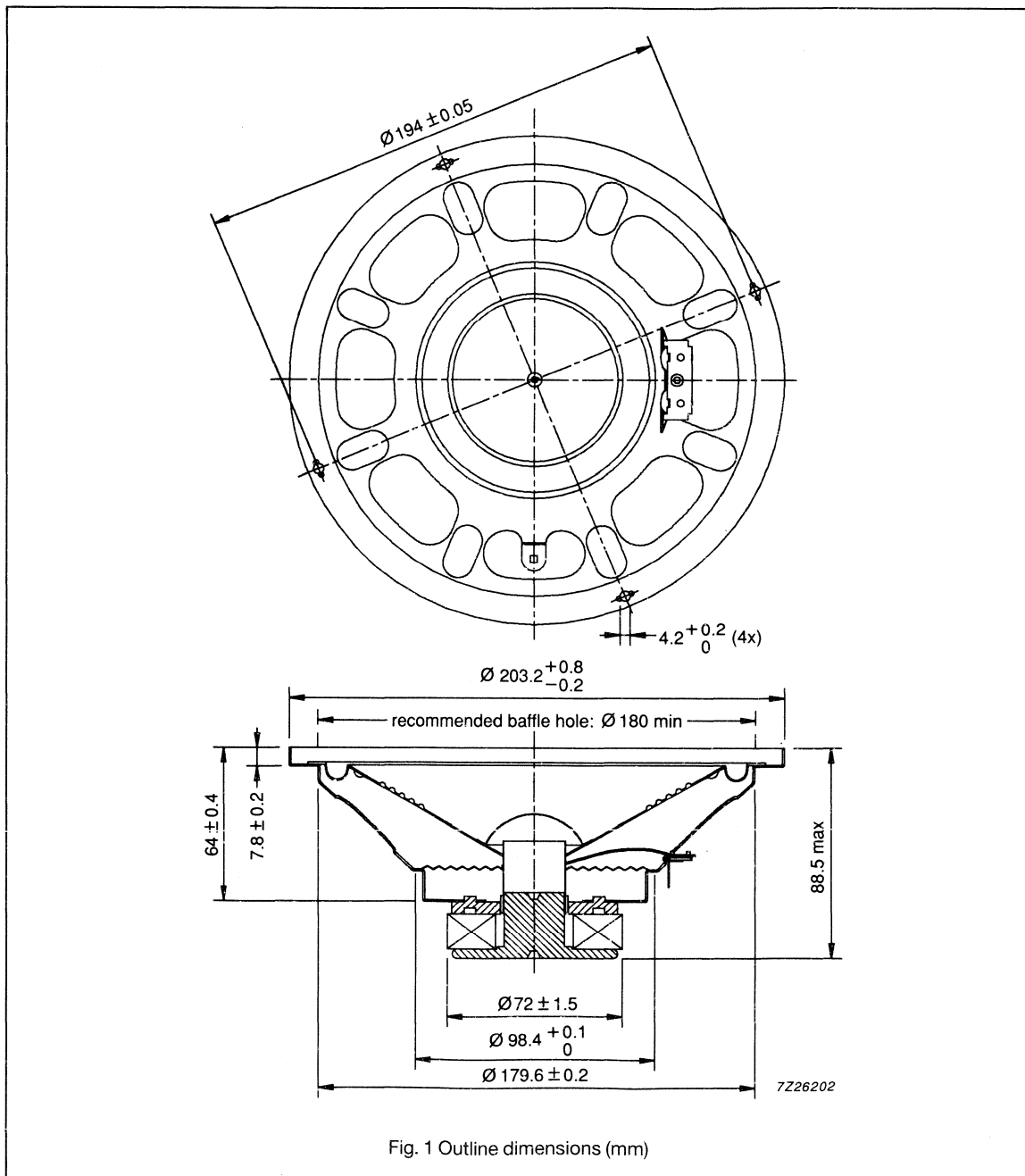
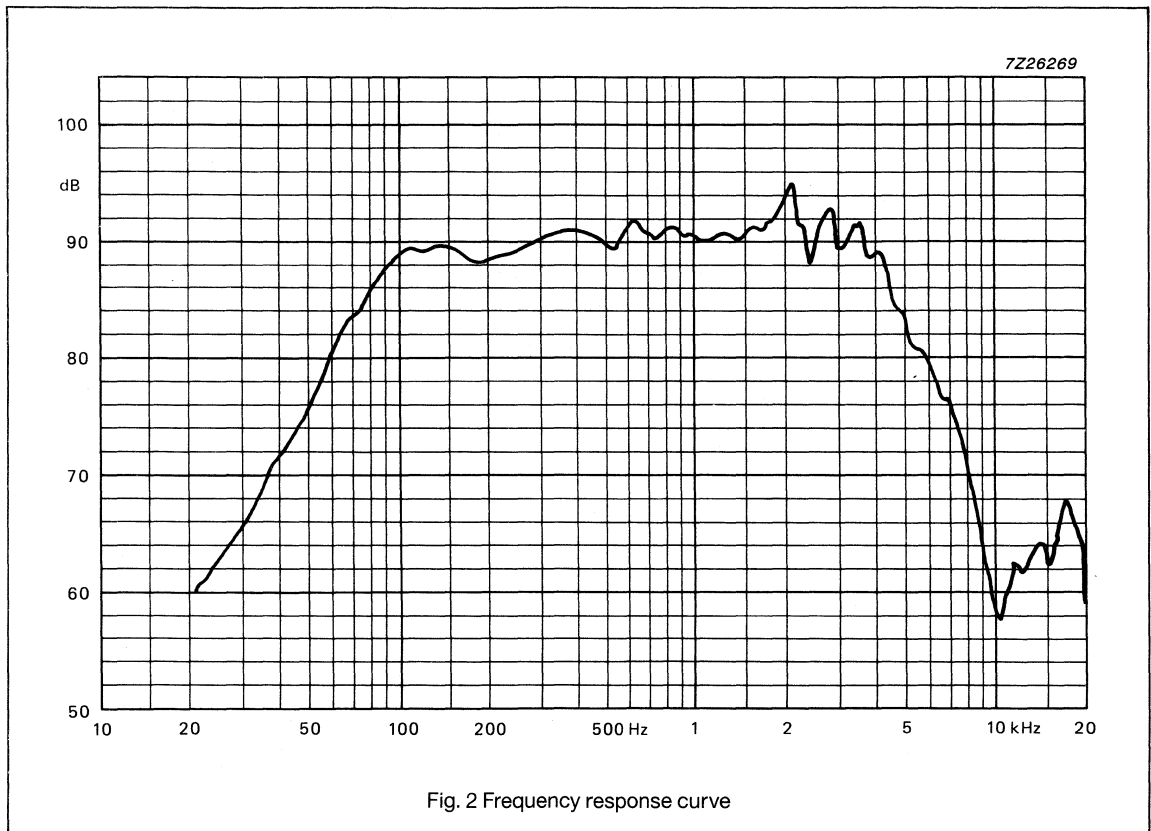


Fig. 1 Outline dimensions (mm)

**8" Round Woofer****AD 80623/W4****FREQUENCY RESPONSE CURVES**

Frequency response curves have been measured on an axis at a distance of 1 m with 1 W input power.



Catalogue number: 2422 257 48405

Data sheet	
status	Product specification
date of issue	May 1990

# AD 80626 series

## 8" Round Woofer

### APPLICATION

For high power audio applications.

### DESCRIPTION

- |              |  |
|--------------|--|
| • Frame      | material: steel<br>finish: zinc yellow |
| • Membrane   | colour: black                          |
| • Suspension | material: foam                         |
| • Dust cap   | material: textile<br>colour: black     |
| • Gasket     | none                                   |

### TECHNICAL DATA

	version		unit
	/W4	/W8	
<b>Unmounted</b>			
Rated impedance	4	8	$\Omega$
Voice coil resistance	3.4	6.3	$\Omega$
Resonance frequency		42	Hz
Sweep voltage	5.6	7.0	V
Magnetic flux density		0.64	T
Electro mechanical force factor	4.9	6.0	Wb/m
Effective piston area		200	cm <sup>2</sup>
Total moving mass	16.0	13.0	g
Equivalent volume	41	46.6	dm <sup>3</sup>
Electrical quality factor	0.63	0.68	
Mechanical quality factor	5.25	4.66	
Total quality factor	0.56	0.59	
Loudspeaker mass		770	g
<b>Mounted</b>			
Characteristic sensitivity	88	89	dB/W/m
Maximum noise power		60	W

8" Round Woofer

AD 80626 series

MECHANICAL DATA

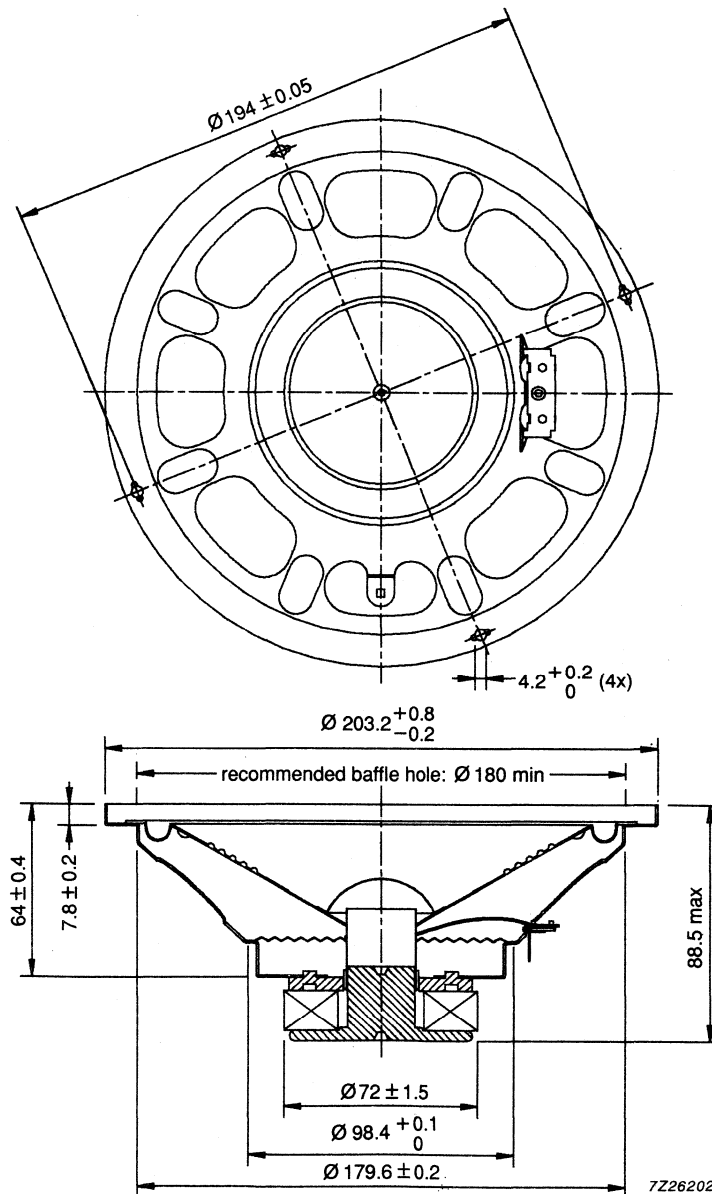


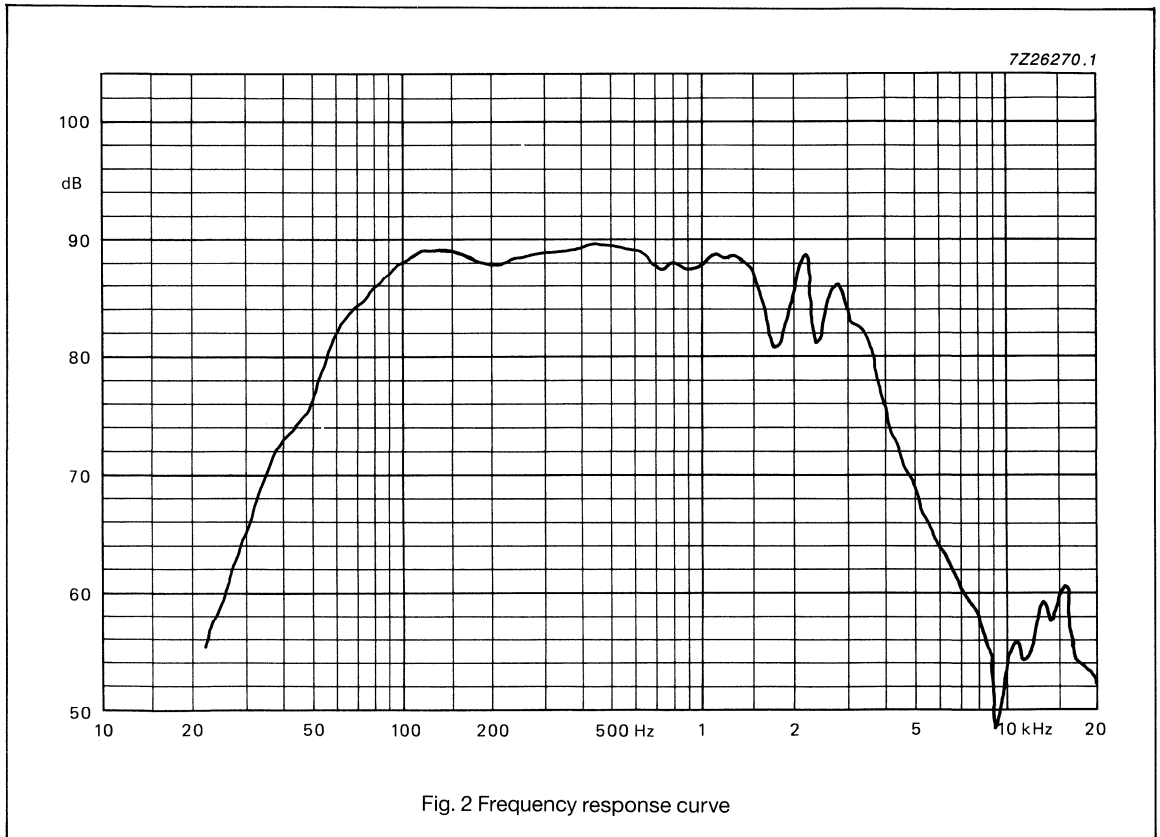
Fig. 1 Outline dimensions (mm)

# 8" Round Woofer

# AD 80626 series

## FREQUENCY RESPONSE CURVES

Frequency response curves have been measured on an axis at a distance of 1 m with 1 W input power.



Catalogue number: 2422 257 48203  
 2422 257 48204

**Philips Components**

Data sheet	
status	Product specification
date of issue	May 1990

# AD 80627/W4

## 8" Round Woofer

**APPLICATION**

For high power audio applications.

**DESCRIPTION**

• Frame	material: steel finish: zinc yellow
• Membrane	colour: black
• Suspension	material: foam
• Dust cap	material: textile colour: black
• Gasket	none

**TECHNICAL DATA**

<b>Unmounted</b>		
Rated impedance	4	$\Omega$
Voice coil resistance	3.4	$\Omega$
Resonance frequency	46	Hz
Sweep voltage	7.0	V
Magnetic flux density	0.72	T
Electro mechanical force factor	4.7	Wb/m
Effective piston area	200	cm <sup>2</sup>
Total moving mass	14.0	g
Equivalent volume	45.1	dm <sup>3</sup>
Electrical quality factor	0.57	
Mechanical quality factor	4.18	
Total quality factor	0.50	
Loudspeaker mass	770	g
<b>Mounted</b>		
Characteristic sensitivity	90.0	dB/W/m
Maximum noise power	65.0	W

8" Round Woofer

AD 80627/W4

MECHANICAL DATA

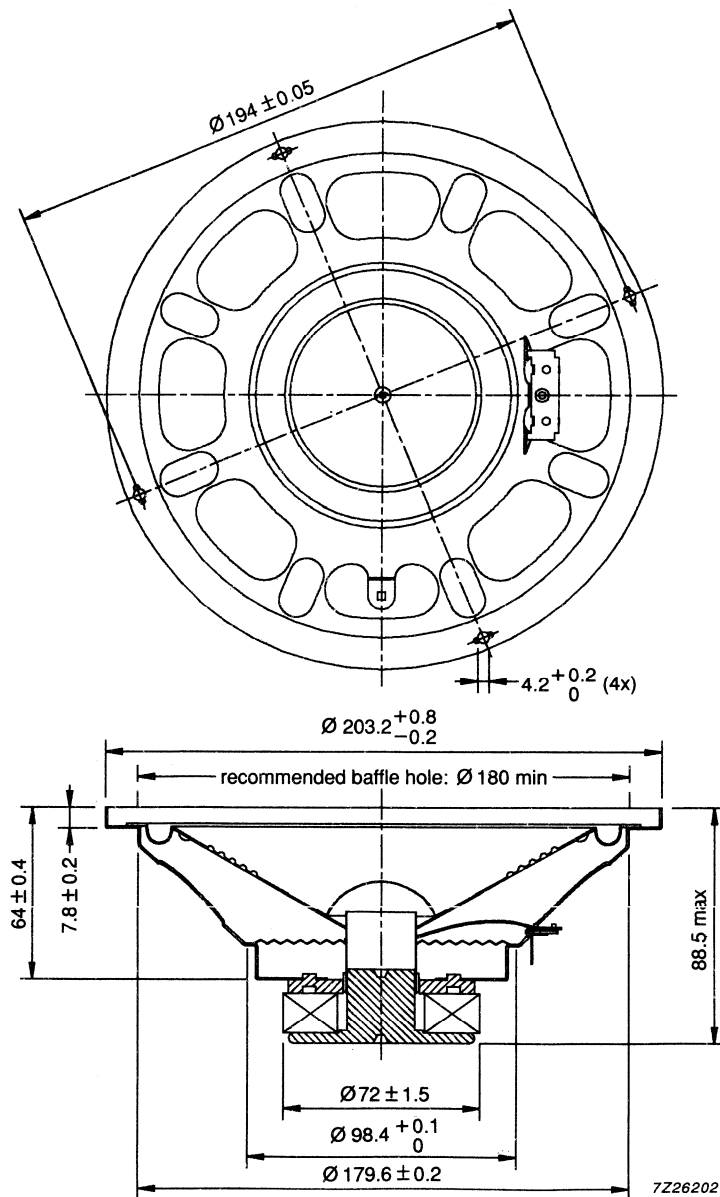


Fig. 1 Outline dimensions (mm)

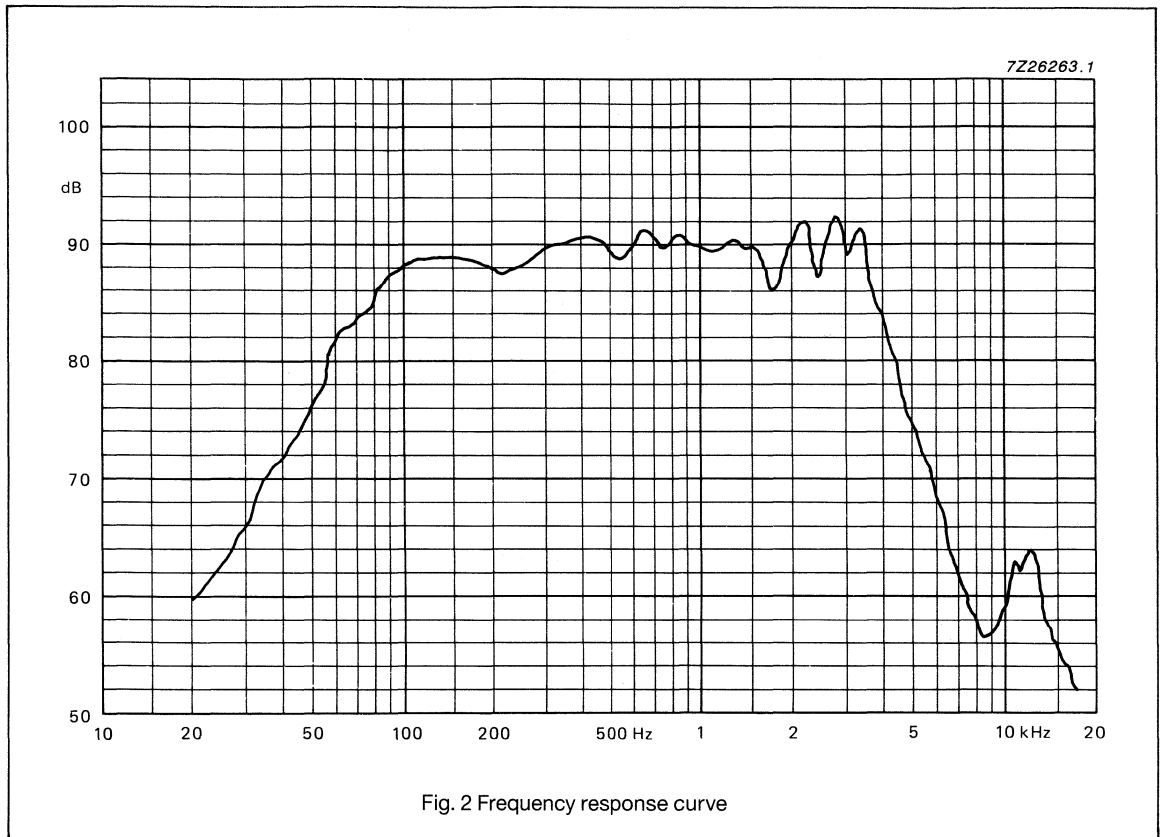


# 8" Round Woofer

AD 80627/W4

## FREQUENCY RESPONSE CURVES

Frequency response curves have been measured on an axis at a distance of 1 m with 1 W input power.



Catalogue number: 2422 257 48407

## Philips Components

Data sheet	
status	Product specification
date of issue	May 1990

# AD 80652 series 8" Round Woofer

### APPLICATION

For high power audio applications.

### DESCRIPTION

- |              |                                       |
|--------------|---------------------------------------|
| • Frame      | material: steel<br>finish: zinc black |
| • Membrane   | colour: black                         |
| • Suspension | material: foam                        |
| • Dust cap   | material: textile<br>colour: black    |
| • Gasket     | none                                  |
| • remarks:   |                                       |

### TECHNICAL DATA

	version		unit
	/W4	/W8	
<b>Unmounted</b>			
Rated impedance	4	8	$\Omega$
Voice coil resistance	3.6	7.0	$\Omega$
Resonance frequency		39	Hz
Sweep voltage	4.5	6.3	V
Magnetic flux density	1.1	1.2	T
Electro mechanical force factor	5.4	6.5	Wb/m
Effective piston area		200	cm <sup>2</sup>
Total moving mass		17.5	g
Equivalent volume	48.9	57.0	dm <sup>3</sup>
Electrical quality factor	0.43	1.40	
Mechanical quality factor	2.63	6.00	
Total quality factor	0.37	1.13	
Loudspeaker mass		1.15	kgg
<b>Mounted</b>			
Characteristic sensitivity		90	dB/W/m
Maximum noise power		50	W

8" Round Woofer

AD 80652 series

MECHANICAL DATA

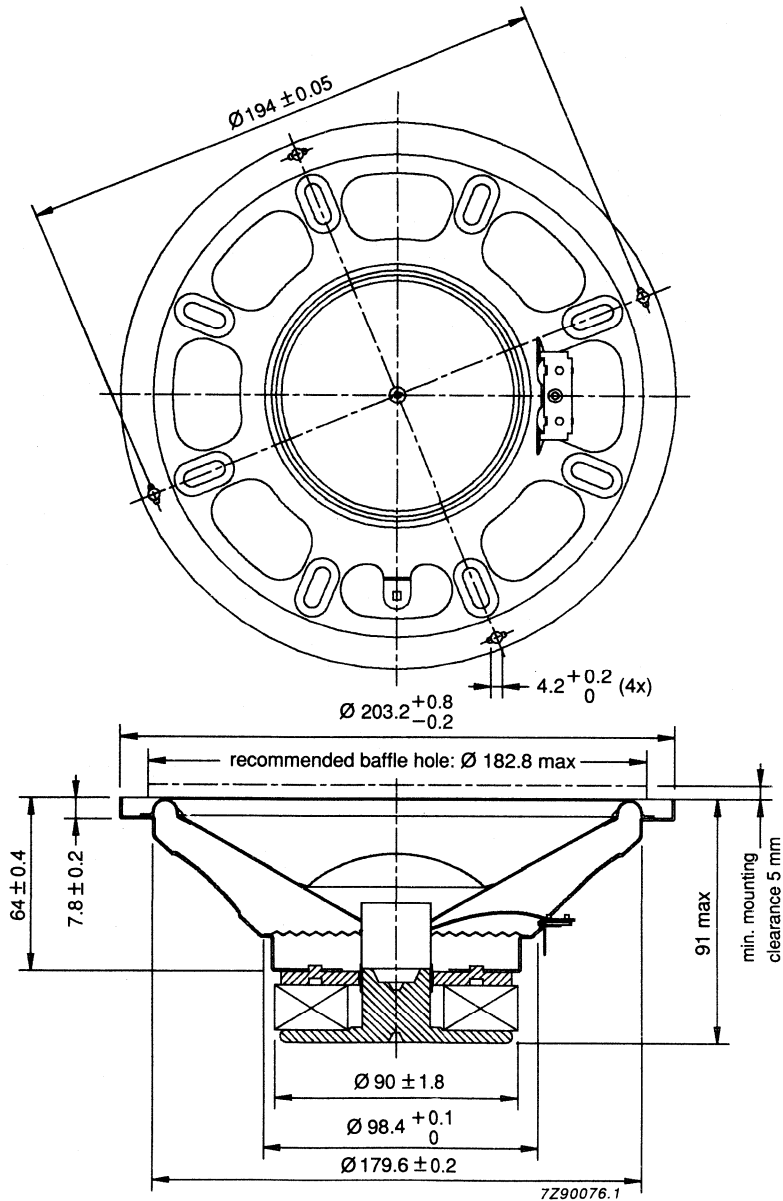


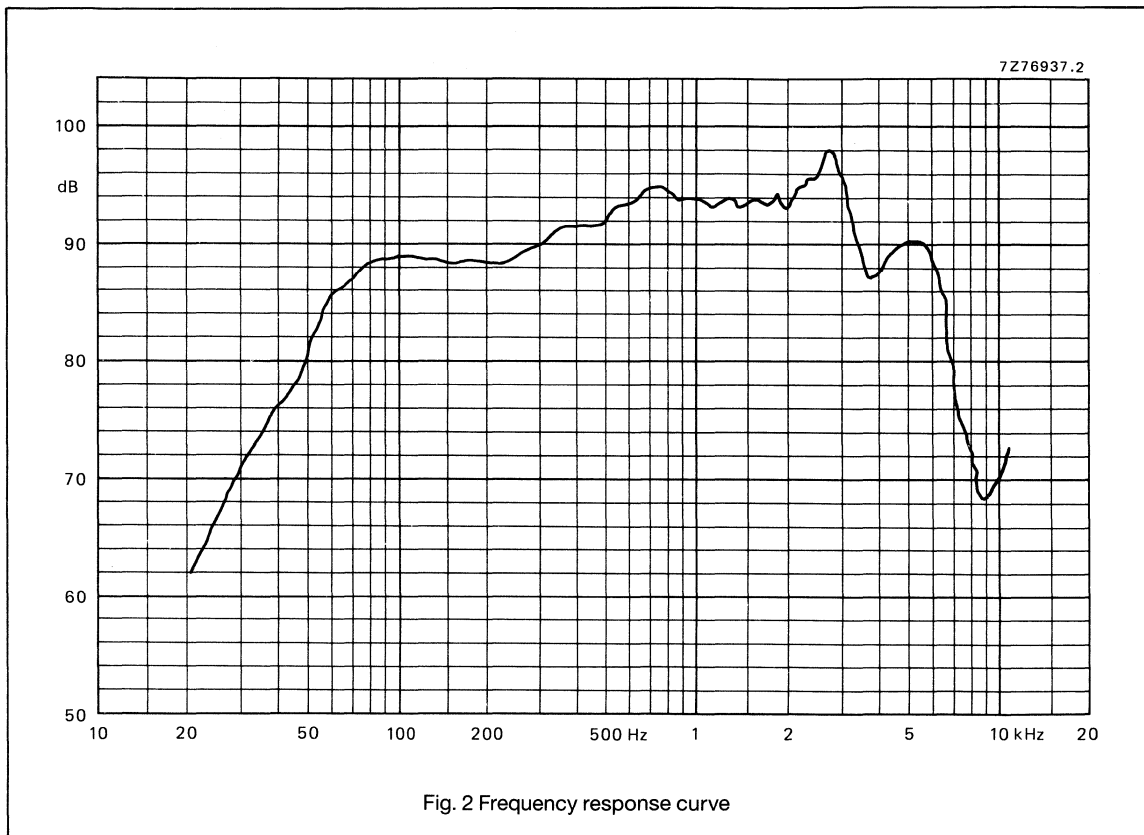
Fig. 1 Outline dimensions (mm)

# 8" Round Woofer

# AD 80652 series

## FREQUENCY RESPONSE CURVES

Frequency response curves have been measured on an axis at a distance of 1 m with 1 W input power.



Catalogue number: 2422 257 48511  
 2422 257 48512

# 00 80667 series

## 8" Round Woofer

Data sheet	
status	Product specification
date of issue	May 1990

### APPLICATION

For high power audio applications.

### DESCRIPTION

- |              |  |
|--------------|--|
| • Frame      | material: steel<br>finish: zinc yellow |
| • Membrane   | colour: grey                           |
| • Suspension | material: foam                         |
| • Dust cap   | material: textile<br>colour: black     |
| • Gasket     | none                                   |

### TECHNICAL DATA

	version		unit
	/W4	/W8	
<b>Unmounted</b>			
Rated impedance	4	8	$\Omega$
Voice coil resistance	3.4	7.4	$\Omega$
Resonance frequency		40	Hz
Sweep voltage	7.0	8.5	V
Magnetic flux density		1.02	T
Electro mechanical force factor	7.5	8.7	Wb/m
Effective piston area		200	cm <sup>2</sup>
Total moving mass	15.2	12.7	g
Equivalent volume	49.0	49.4	dm <sup>3</sup>
Electrical quality factor	0.23	0.32	
Mechanical quality factor	2.50	2.10	
Total quality factor	0.21	0.28	
Loudspeaker mass		1.30	kg
<b>Mounted</b>			
Characteristic sensitivity	92.5		dB/W/m
Maximum noise power		70	W

8" Round Woofer

00 80667 series

MECHANICAL DATA

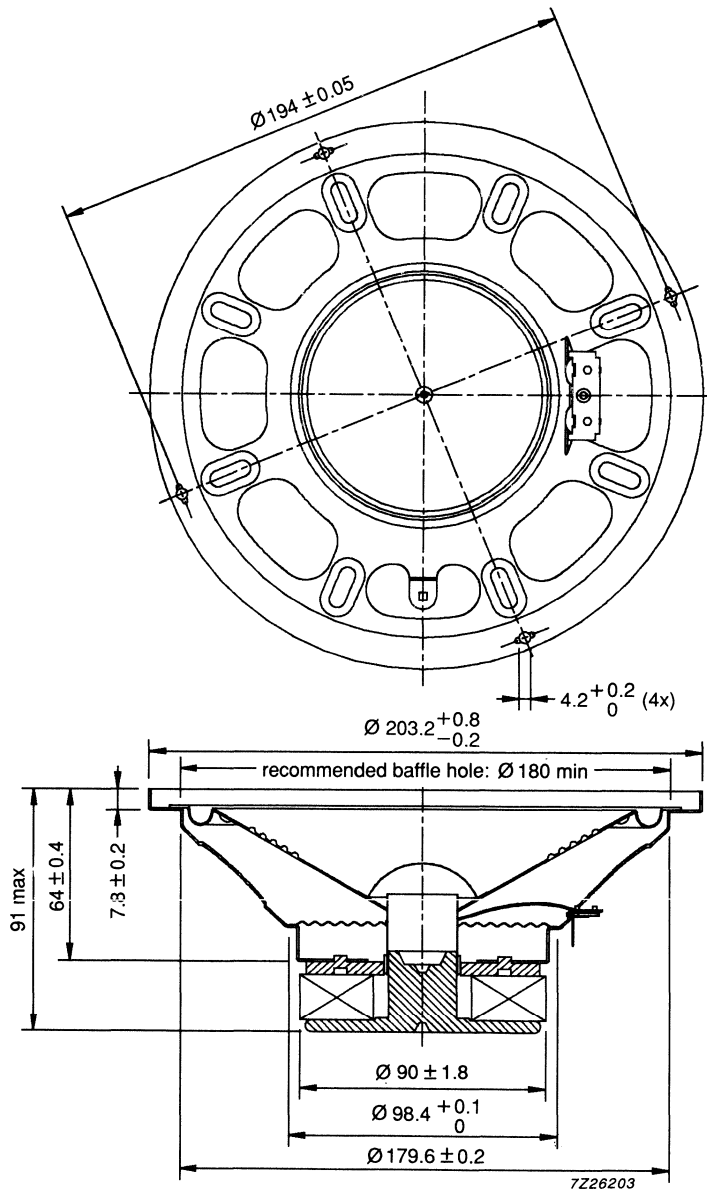
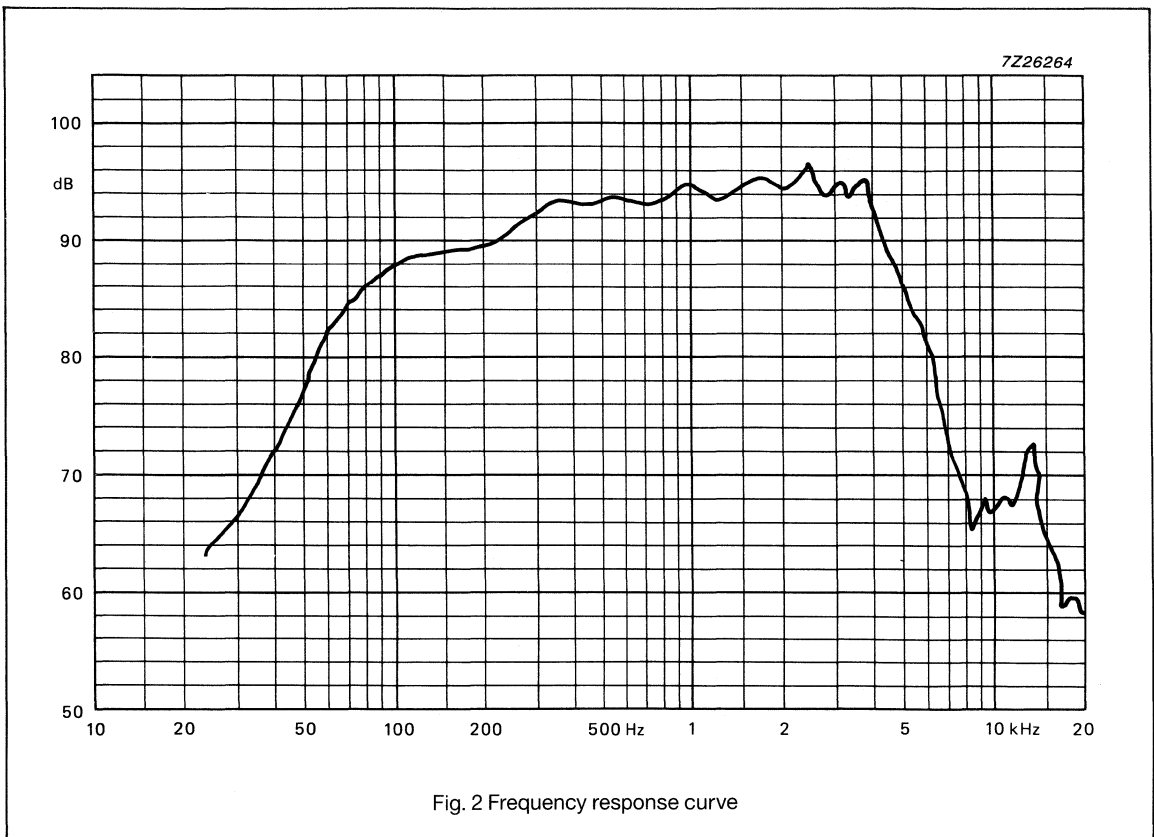


Fig. 1 Outline dimensions (mm)

**8" Round Woofer****00 80667 series****FREQUENCY RESPONSE CURVES**

Frequency response curves have been measured on an axis at a distance of 1 m with 1 W input power.



Catalogue number: 2404 257 48504  
2404 257 48505

**Philips Components**

Data sheet	
status	Product specification
date of issue	November 1989

# AD 10672/W8

## 10" Round Woofer

**APPLICATION**

For high power audio applications.

**DESCRIPTION**

• Frame	material: steel finish: zinc black
• Membrane	colour: black
• Suspension	material: foam
• Dust cap	material: textile colour: black
• Gasket	none

**TECHNICAL DATA**

<b>Unmounted</b>		
Rated impedance	8	$\Omega$
Voice coil resistance	6.4	$\Omega$
Resonance frequency	27	Hz
Sweep voltage	8.0	V
Magnetic flux density	0.96	T
Electro mechanical force factor	6.2	Wb/m
Effective piston area	314	cm <sup>2</sup>
Total moving mass	31.5	g
Equivalent volume	142	dm <sup>3</sup>
Electrical quality factor	0.80	
Mechanical quality factor	2.80	
Total quality factor	0.62	
Loudspeaker mass	1.6	kg
<b>Mounted</b>		
Characteristic sensitivity	89.0	dB/W/m
Maximum noise power	60.0	W



10" Round Woofer

AD 10672/W8

MECHANICAL DATA

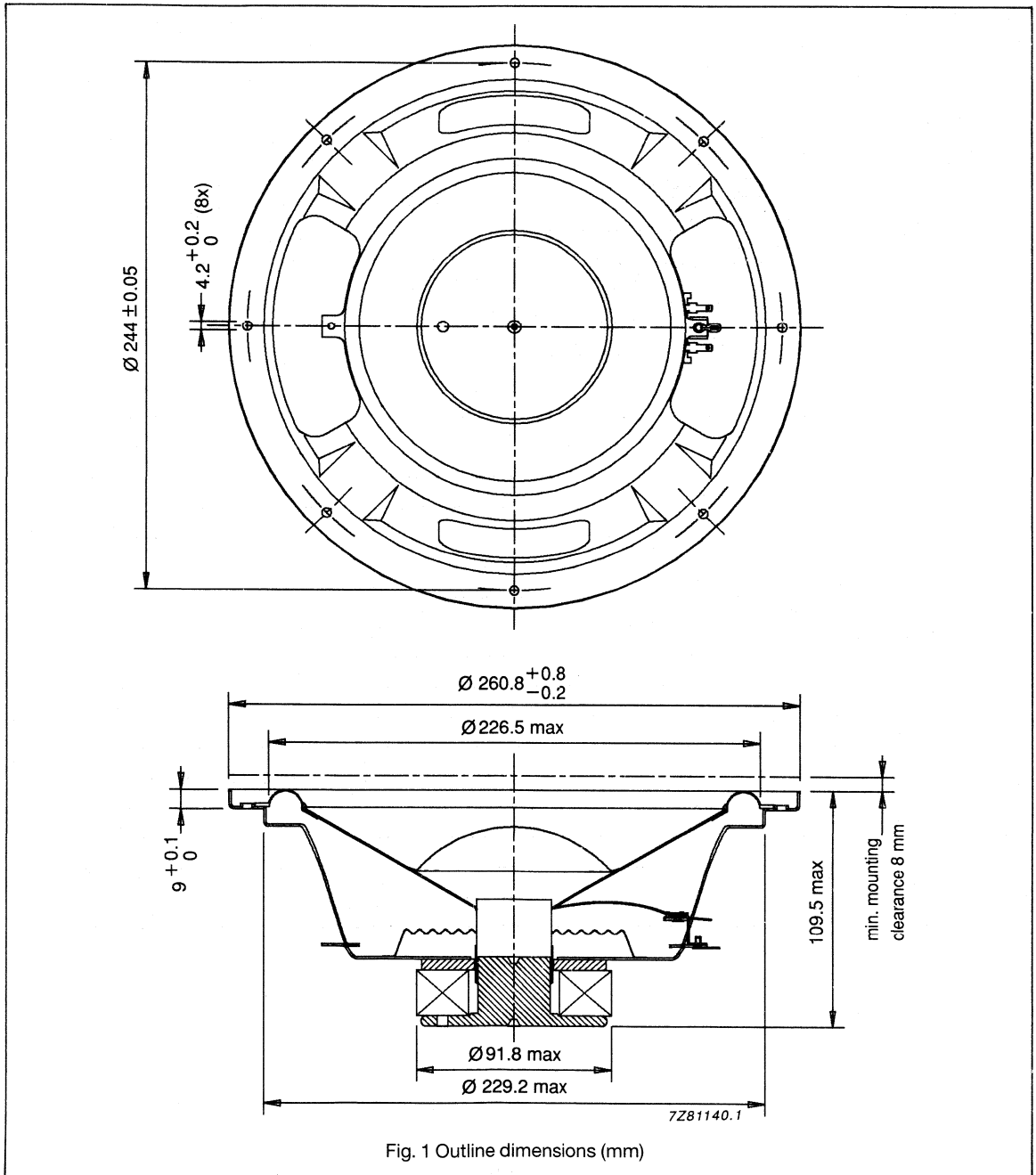


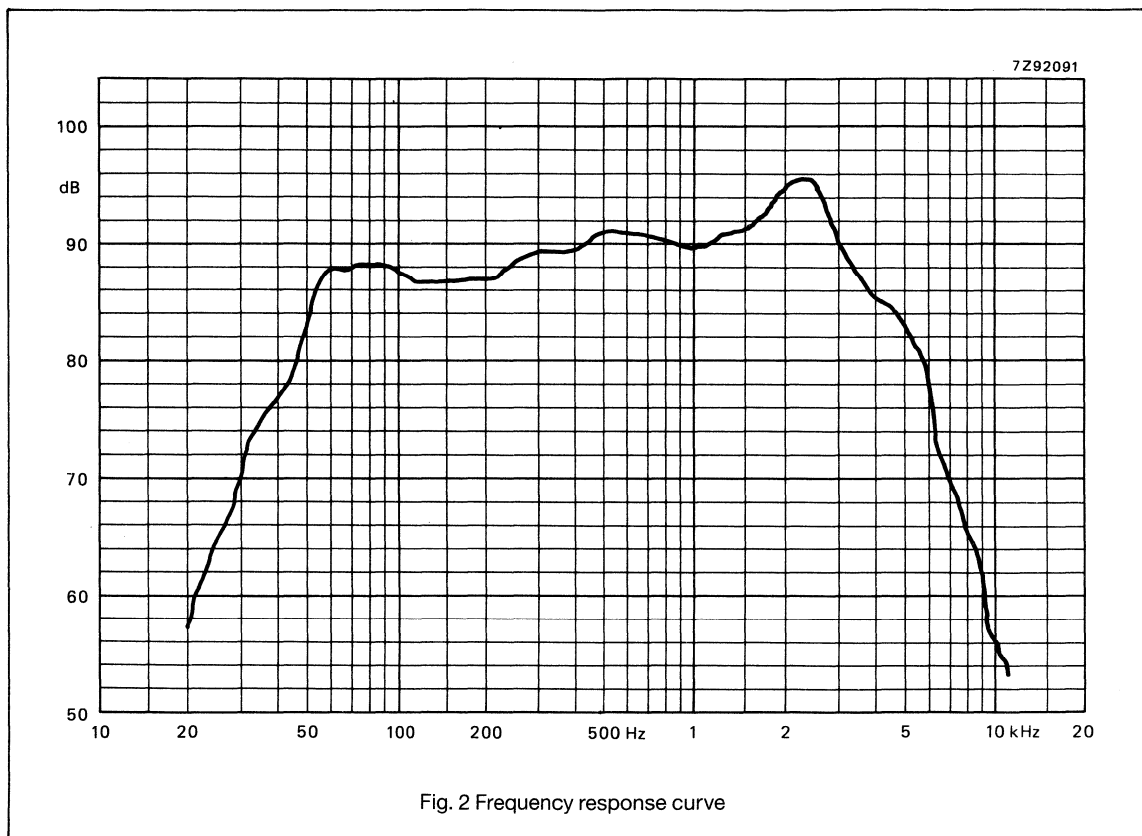
Fig. 1 Outline dimensions (mm)

# 10" Round Woofer

# AD 10672/W8

## FREQUENCY RESPONSE CURVES

Frequency response curves have been measured on an axis at a distance of 1 m with 1 W input power.



Catalogue number: 2422 257 31704

Data sheet	
status	Product specification
date of issue	May 1990

# AD 10202/W8

## 10" Round Woofer

### APPLICATION

For high power audio applications.

### DESCRIPTION

• Frame	material: steel finish: zinc black
• Membrane	colour: black
• Suspension	material: foam
• Dust cap	material: textile colour: black
• Gasket	: none

### TECHNICAL DATA

<b>Unmounted</b>		
Rated impedance	8	$\Omega$
Voice coil resistance	6.7	$\Omega$
Resonance frequency	26	Hz
Sweep voltage	10.0	V
Magnetic flux density	0.72	T
Electro mechanical force factor	13.0	Wb/m
Effective piston area	314	cm <sup>2</sup>
Total moving mass	49.0	g
Equivalent volume	95	dm <sup>3</sup>
Electrical quality factor	0.30	
Mechanical quality factor	3.80	
Total quality factor	0.82	
Loudspeaker mass	2.7	kg
<b>Mounted</b>		
Characteristic sensitivity	87.5	dB/W/m
Maximum noise power	80.0	W

10" Round Woofer

AD 10202/W8

MECHANICAL DATA

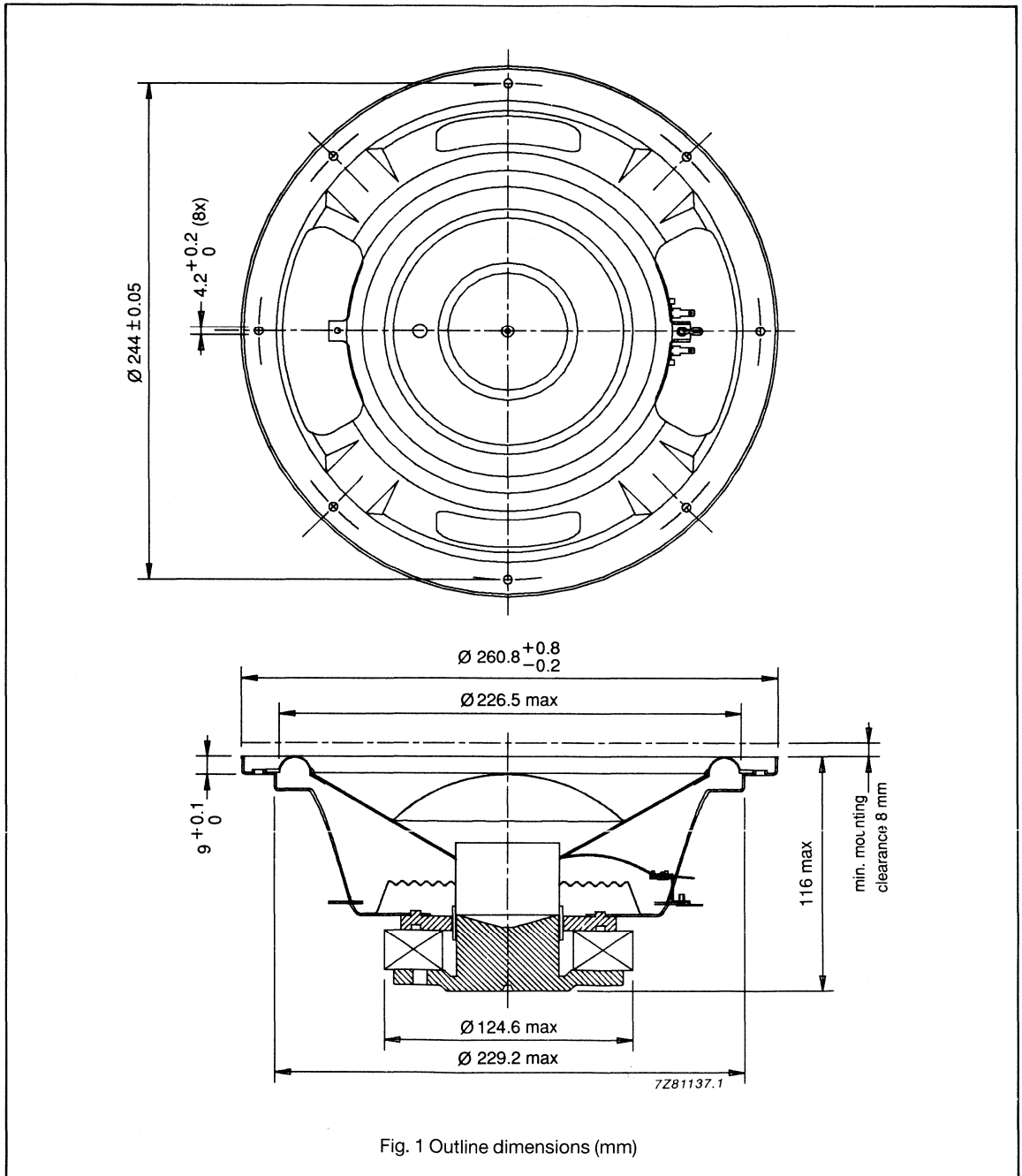


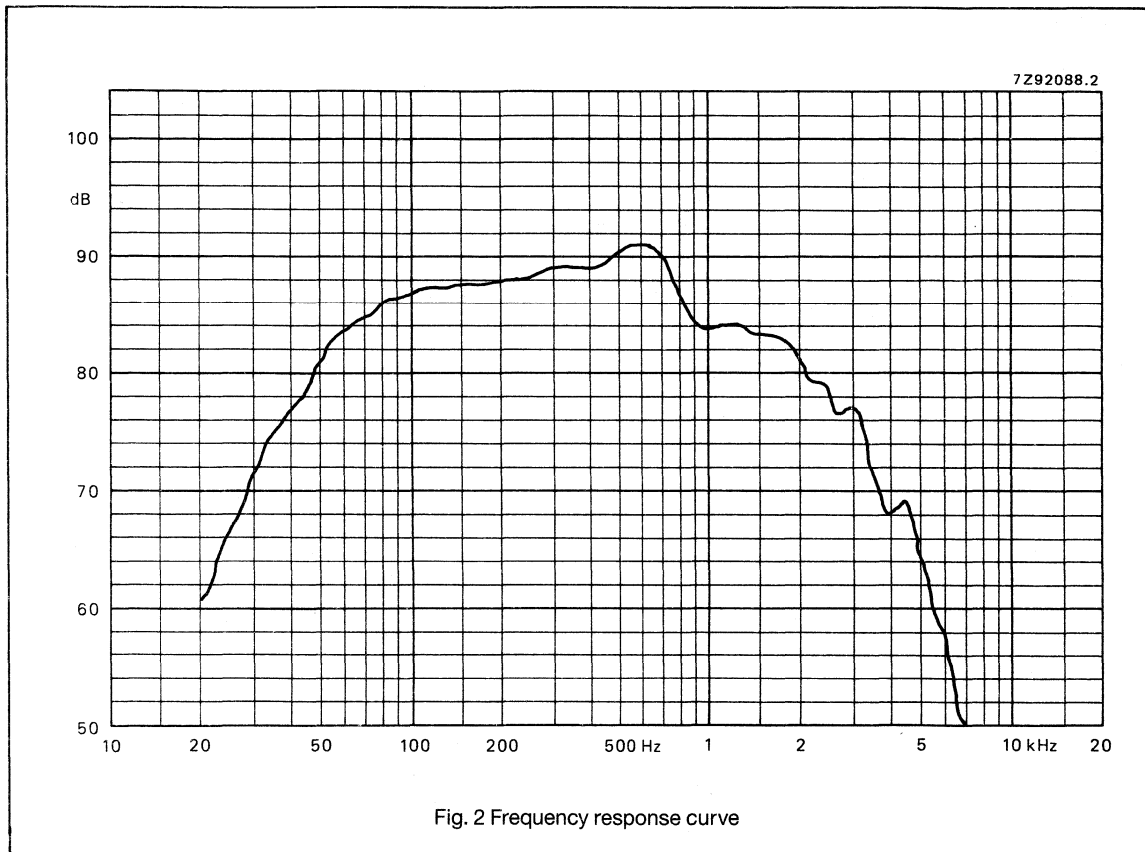
Fig. 1 Outline dimensions (mm)

**10" Round Woofer**

**AD 10202/W8**

**FREQUENCY RESPONSE CURVES**

Frequency response curves have been measured on an axis at a distance of 1 m with 1 W input power.



Catalogue number: 2422 257 31807

**Philips Components**

<b>Data sheet</b>	
<b>status</b>	Product specification
<b>date of issue</b>	May 1990

# AD 12672/W8

## 12" Round Woofer

**APPLICATION**

For high power audio applications.

**DESCRIPTION**

• Frame	material: steel finish: zinc black
• Membrane	colour: black
• Suspension	material: foam
• Dust cap	material: textile colour: black
• Gasket	none
• remarks:	

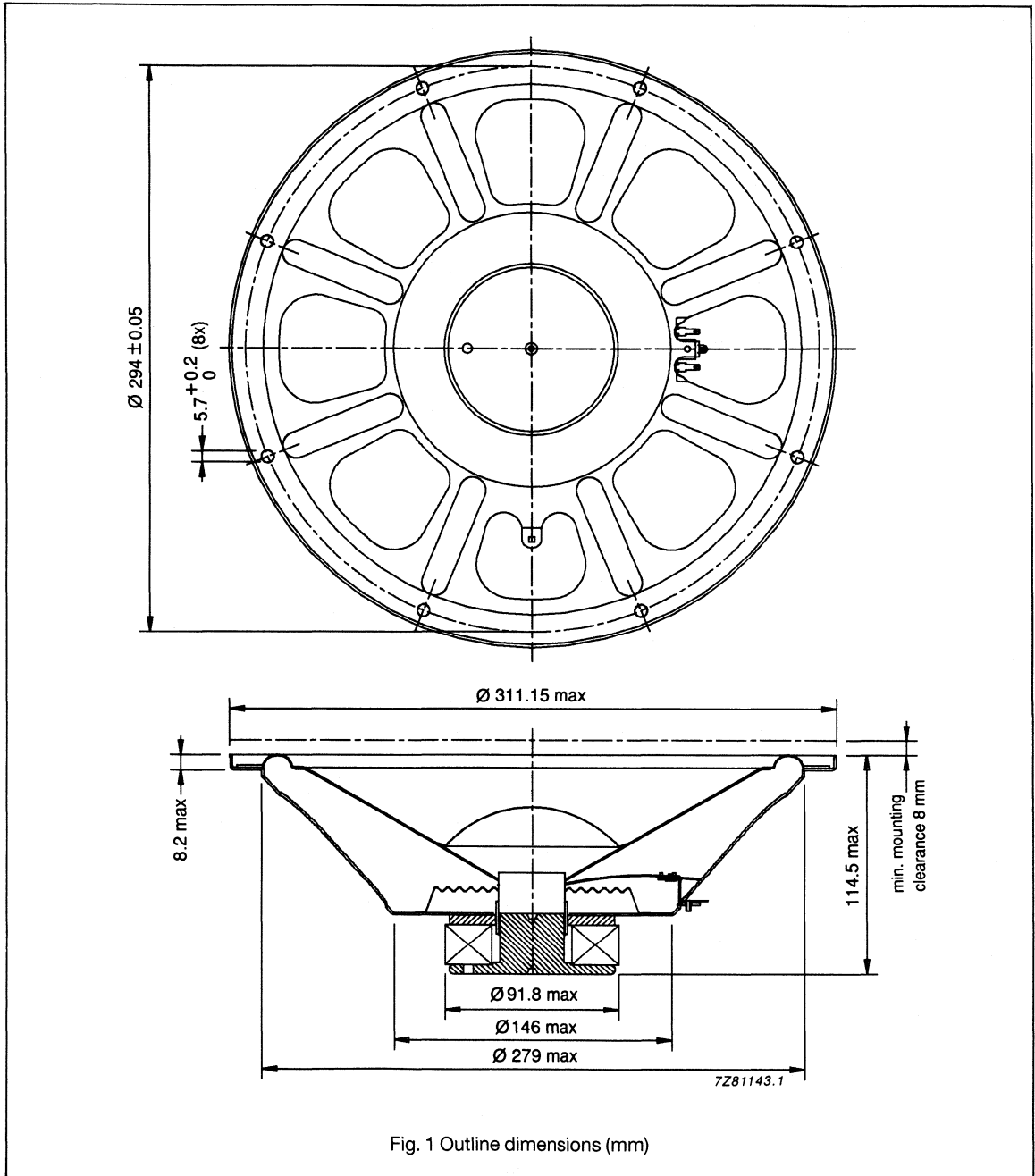
**TECHNICAL DATA**

<b>Unmounted</b>		
Rated impedance	8	$\Omega$
Voice coil resistance	5.9	$\Omega$
Resonance frequency	26	Hz
Sweep voltage	8.5	V
Magnetic flux density	0.72	T
Electro mechanical force factor	7.70	Wb/m
Effective piston area	490	$\text{cm}^2$
Total moving mass	49.0	g
Equivalent volume	245	$\text{dm}^3$
Electrical quality factor	0.75	
Mechanical quality factor	5.67	
Total quality factor	0.66	
Loudspeaker mass	1.8	kg
<b>Mounted</b>		
Characteristic sensitivity	90.0	dB/W/m
Maximum noise power	60.0	W

12" Round Woofer

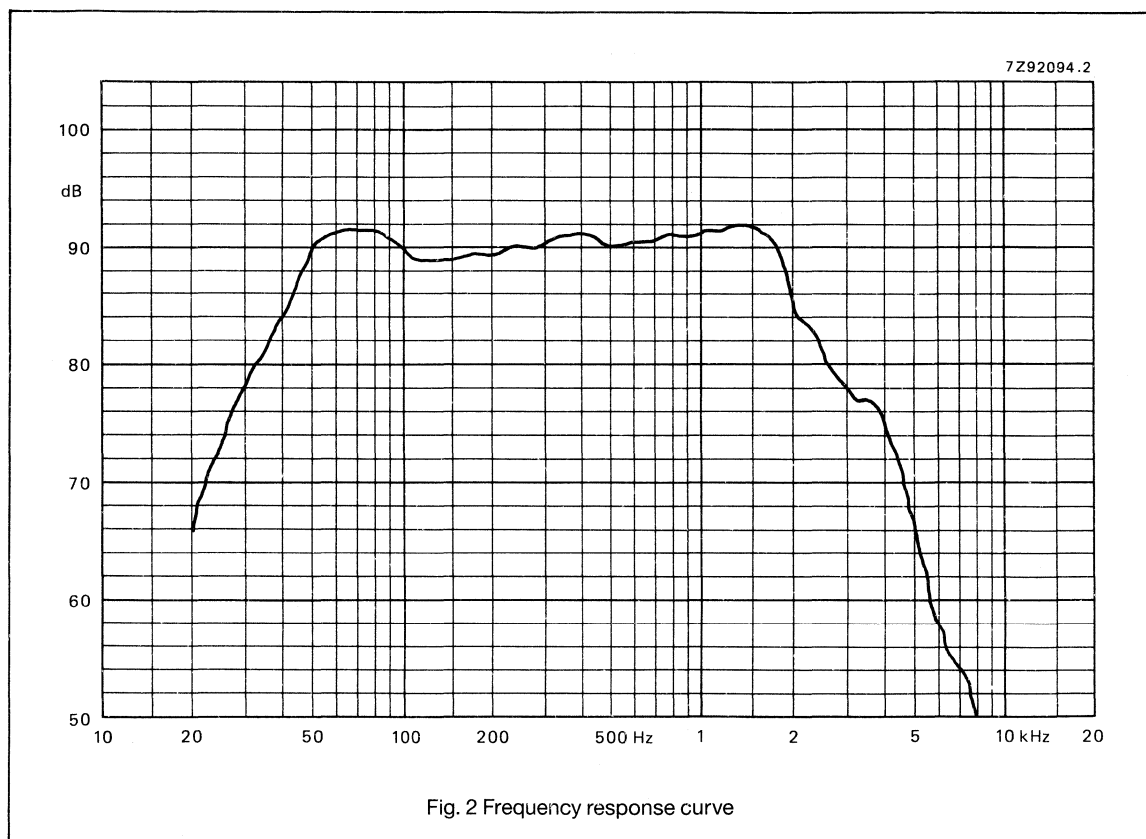
AD 12672/W8

MECHANICAL DATA



**12" Round Woofer****AD 12672/W8****FREQUENCY RESPONSE CURVES**

Frequency response curves have been measured on an axis at a distance of 1 m with 1 W input power.



Catalogue number: 2422 257 31404



**Philips Components**

Data sheet	
status	Product specification
date of issue	May 1990

# AD 12202/W8

## 12" Round Woofer

**APPLICATION**

For high power audio applications.

**DESCRIPTION**

• Frame	material: steel finish: zinc black
• Membrane	colour: black
• Suspension	material: foam
• Dust cap	material: textile colour: black
• Gasket	none

**TECHNICAL DATA**

<b>Unmounted</b>		
Rated impedance	8	$\Omega$
Voice coil resistance	6.7	$\Omega$
Resonance frequency	24	Hz
Sweep voltage	10	V
Magnetic flux density	0.72	T
Electro mechanical force factor	13.0	Wb/m
Effective piston area	490	cm <sup>2</sup>
Total moving mass	49.0	g
Equivalent volume	219	dm <sup>3</sup>
Electrical quality factor	0.36	
Mechanical quality factor	3.77	
Total quality factor	0.33	
Loudspeaker mass	3.0	kg
<b>Mounted</b>		
Characteristic sensitivity	90.0	dB/W/m
Maximum noise power	80.0	W

12" Round Woofer

AD 12202/W8

MECHANICAL DATA

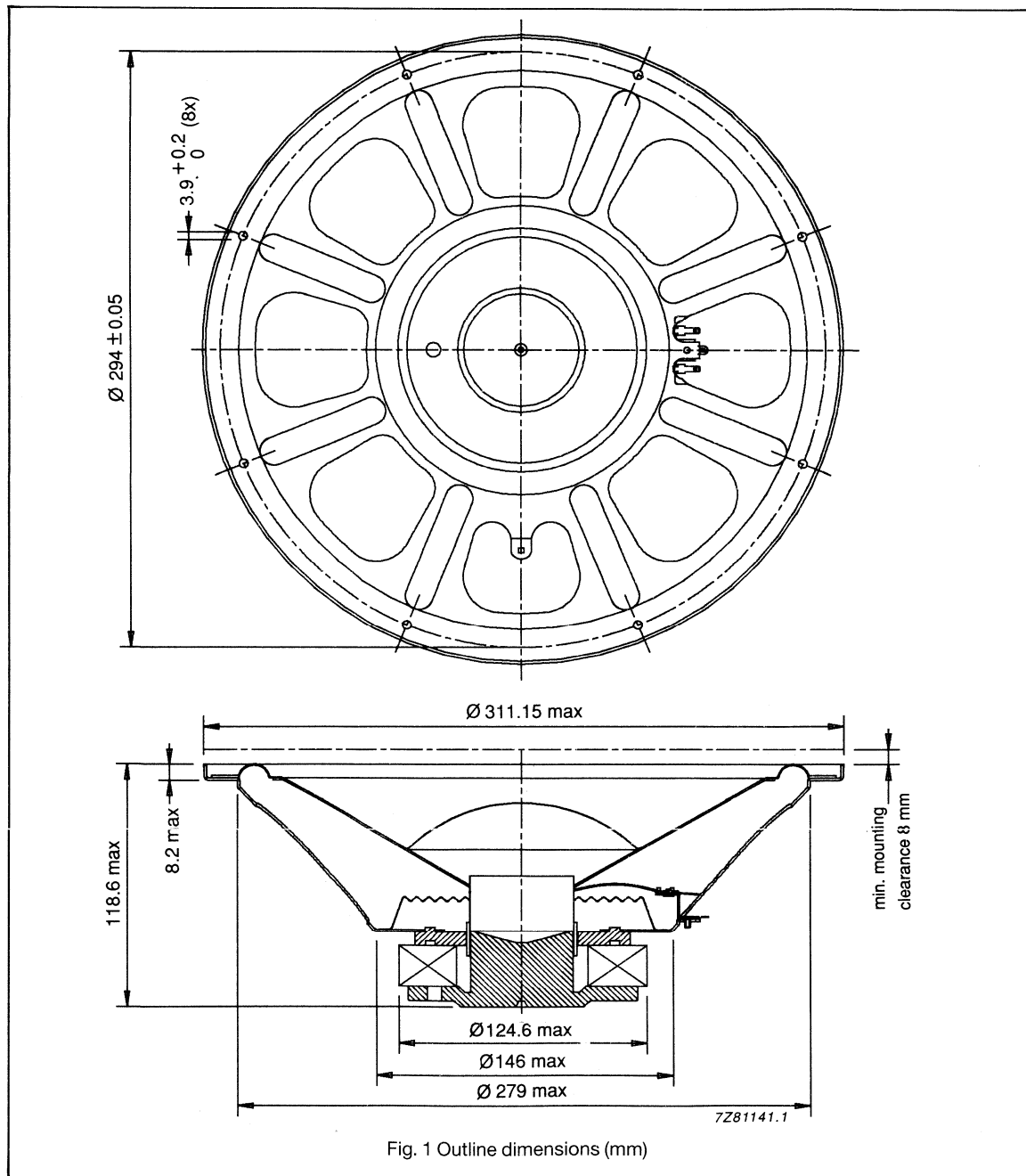
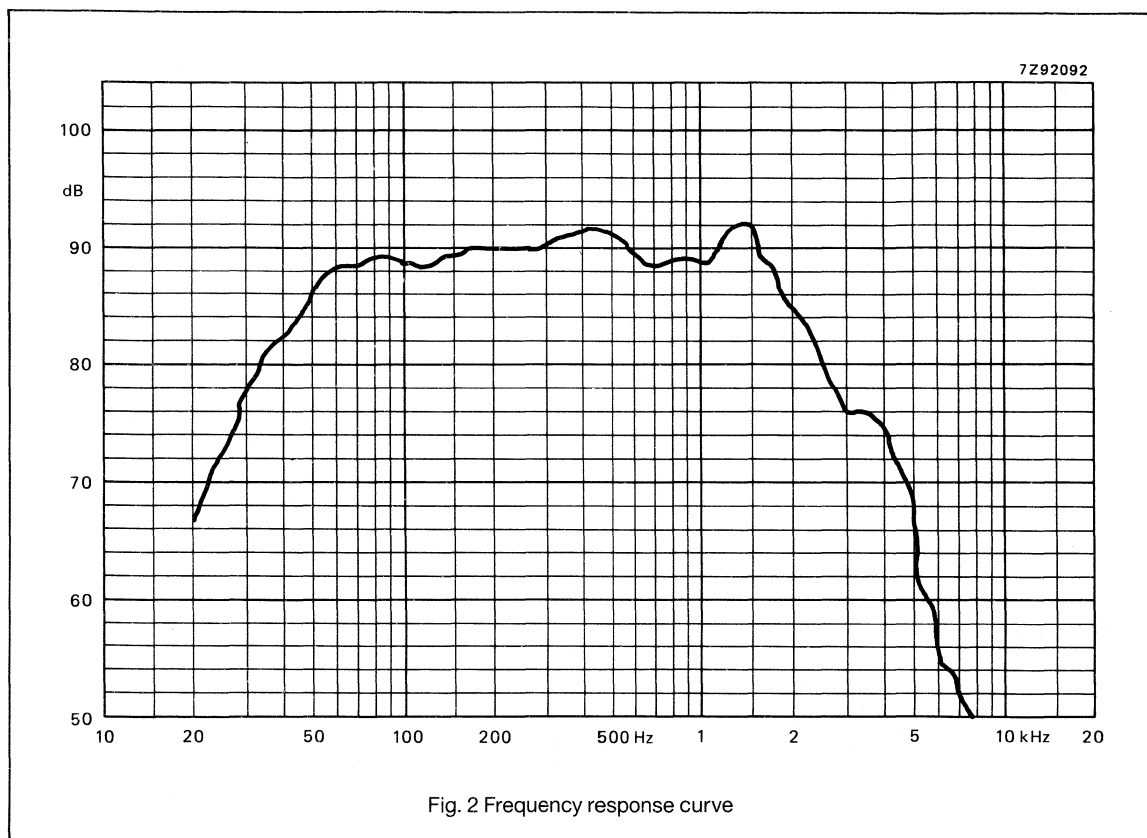


Fig. 1 Outline dimensions (mm)

**12" Round Woofer****AD 12202/W8****FREQUENCY RESPONSE CURVES**

Frequency response curves have been measured on an axis at a distance of 1 m with 1 W input power.



Catalogue number: 2422 257 31508

Data sheet	
status	Product specification
date of issue	May 1990

# AD 12252/W8

## 12" Round Woofer

### APPLICATION

For high power audio applications.

### DESCRIPTION

• Frame	material: steel finish: zinc black
• Membrane	colour: black
• Suspension	material: foam
• Dust cap	material: textile colour: black
• Gasket	none

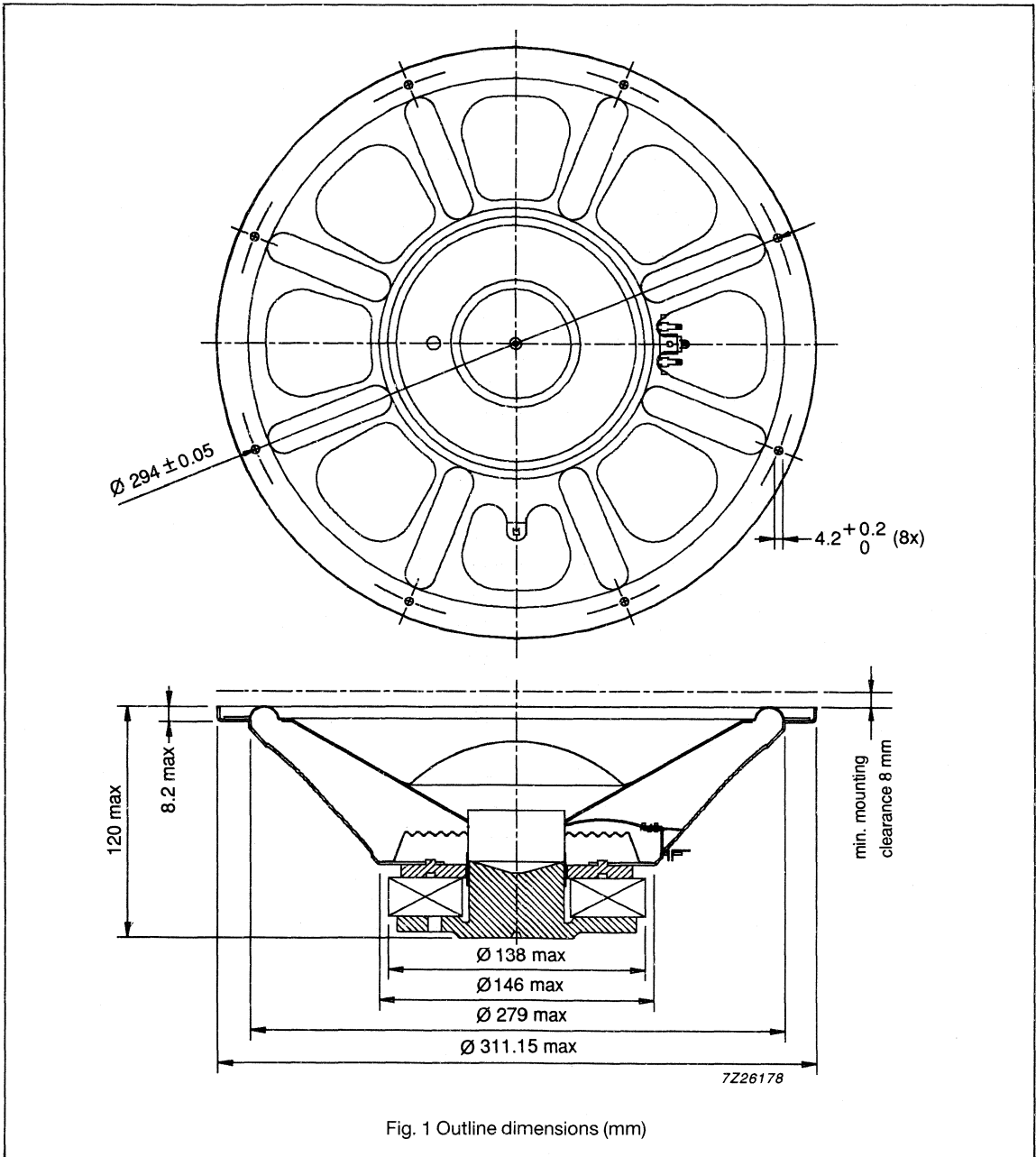
### TECHNICAL DATA

<b>Unmounted</b>		
Rated impedance	8	$\Omega$
Voice coil resistance	6.4	$\Omega$
Resonance frequency	27	Hz
Sweep voltage	10.0	V
Magnetic flux density	1.02	T
Electro mechanical force factor	13.5	Wb/m
Effective piston area	490	cm <sup>2</sup>
Total moving mass	52.0	g
Equivalent volume	201	dm <sup>3</sup>
Electrical quality factor	0.30	
Mechanical quality factor	3.20	
Total quality factor	0.27	
Loudspeaker mass	3.8	kg
<b>Mounted</b>		
Characteristic sensitivity	92.0	dB/W/m
Maximum noise power	100.0	W

12" Round Woofer

AD 12252/W8

MECHANICAL DATA



# 12" Round Woofer

AD 12252/W8

## FREQUENCY RESPONSE CURVES

Frequency response curves have been measured on an axis at a distance of 1 m with 1 W input power.

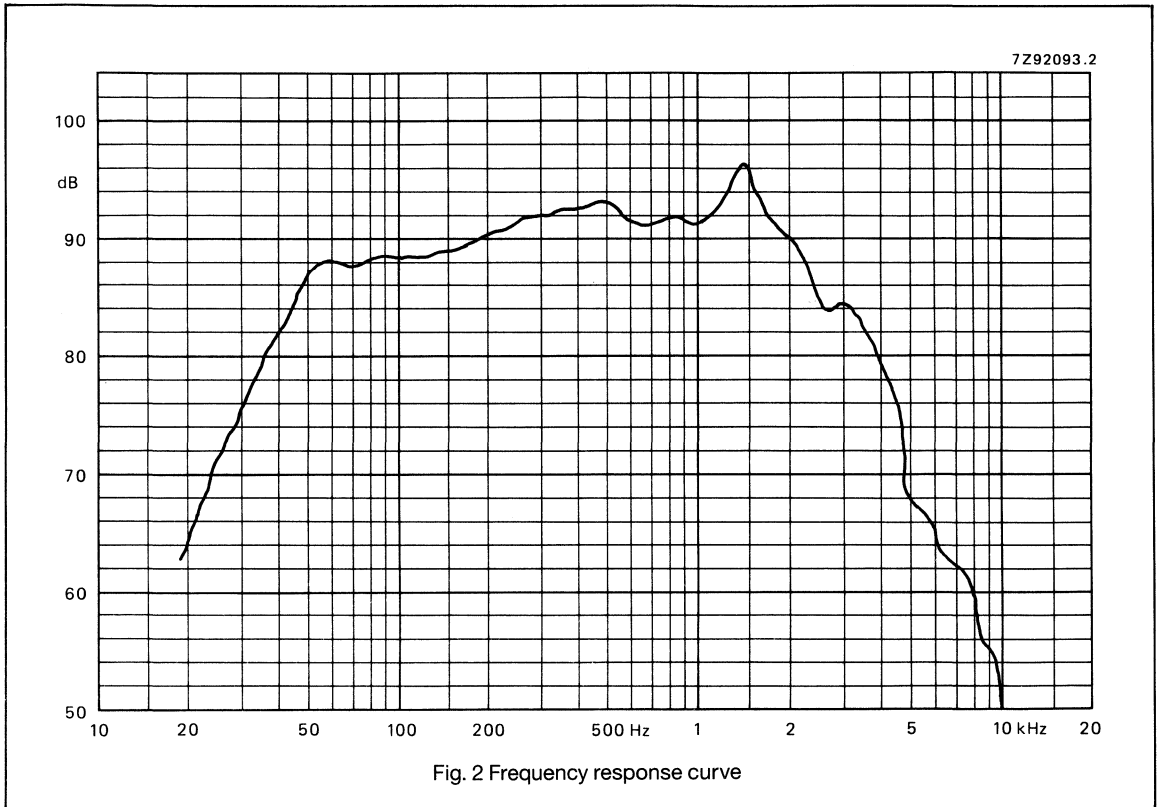


Fig. 2 Frequency response curve

Catalogue number: 2422 257 61004

**Philips Components**

Data sheet	
status	Product specification
date of issue	September 1989

# AD 01980/Y series

## 1 1/3" Speech Loudspeaker

**APPLICATION**

Thin loudspeaker for use in intercoms, telephones and general professional instruments.

**DESCRIPTION**

- |            |                                   |
|------------|-----------------------------------|
| • Frame    | material: plastic<br>finish: none |
| • Membrane | colour: black                     |

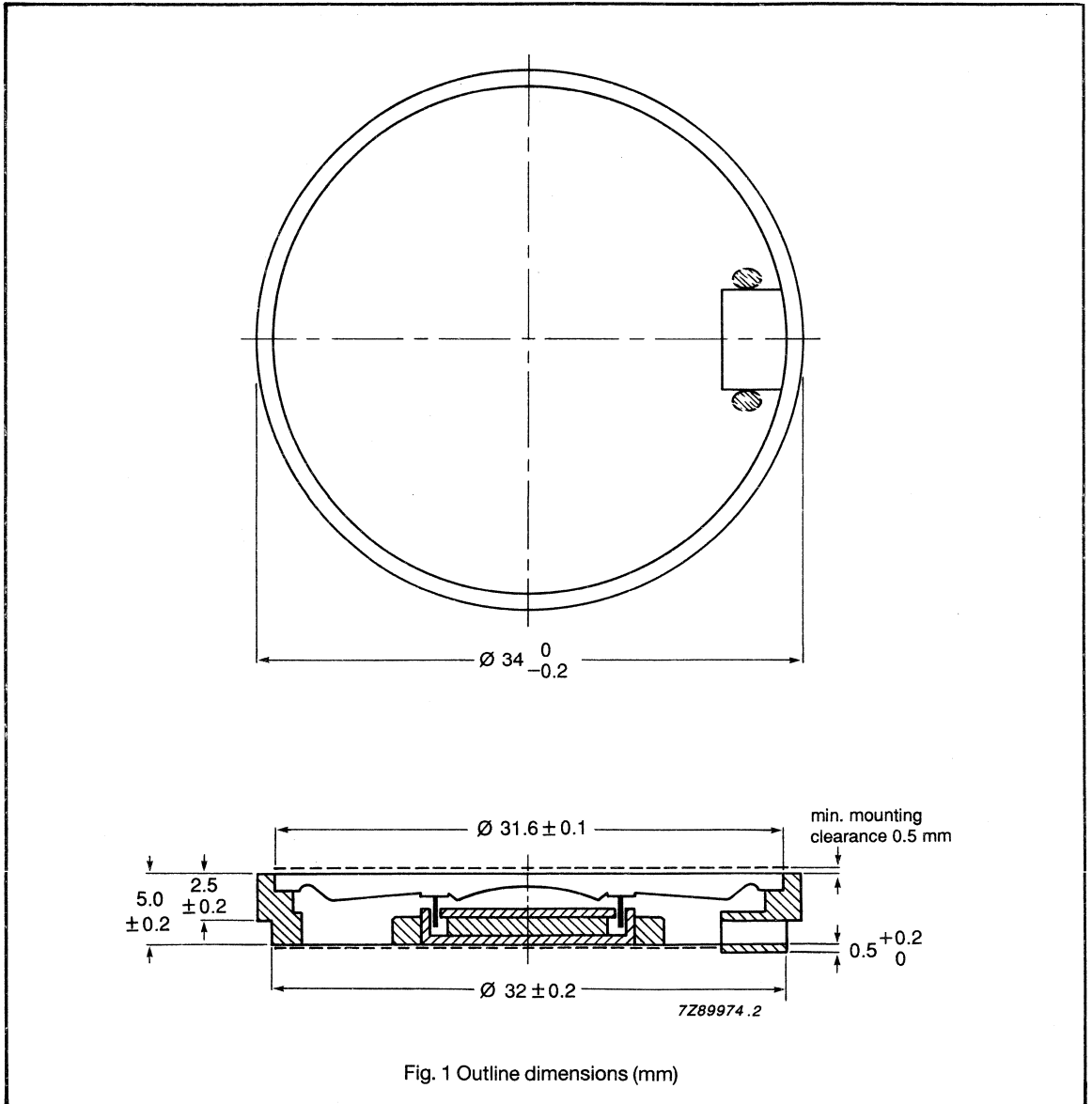
**TECHNICAL DATA**

	version			unit
	Y8	Y15	Y25	
<b>Unmounted</b>				
Rated impedance	8	15	25	$\Omega$
Voice coil resistance	7.2	13.5	22.5	$\Omega$
Resonance frequency	600	600	600	Hz
Sweep voltage	1.1	1.5	1.9	V
Magnetic flux density	0.55	0.55	0.55	T
Loudspeaker mass	7	7	7	g
<b>Mounted</b>				
Characteristic sensitivity	70			dB/W/m
Maximum noise power (PHC)	0.3			W

1 1/3" Speech Loudspeaker

AD 01980/Y series

MECHANICAL DATA



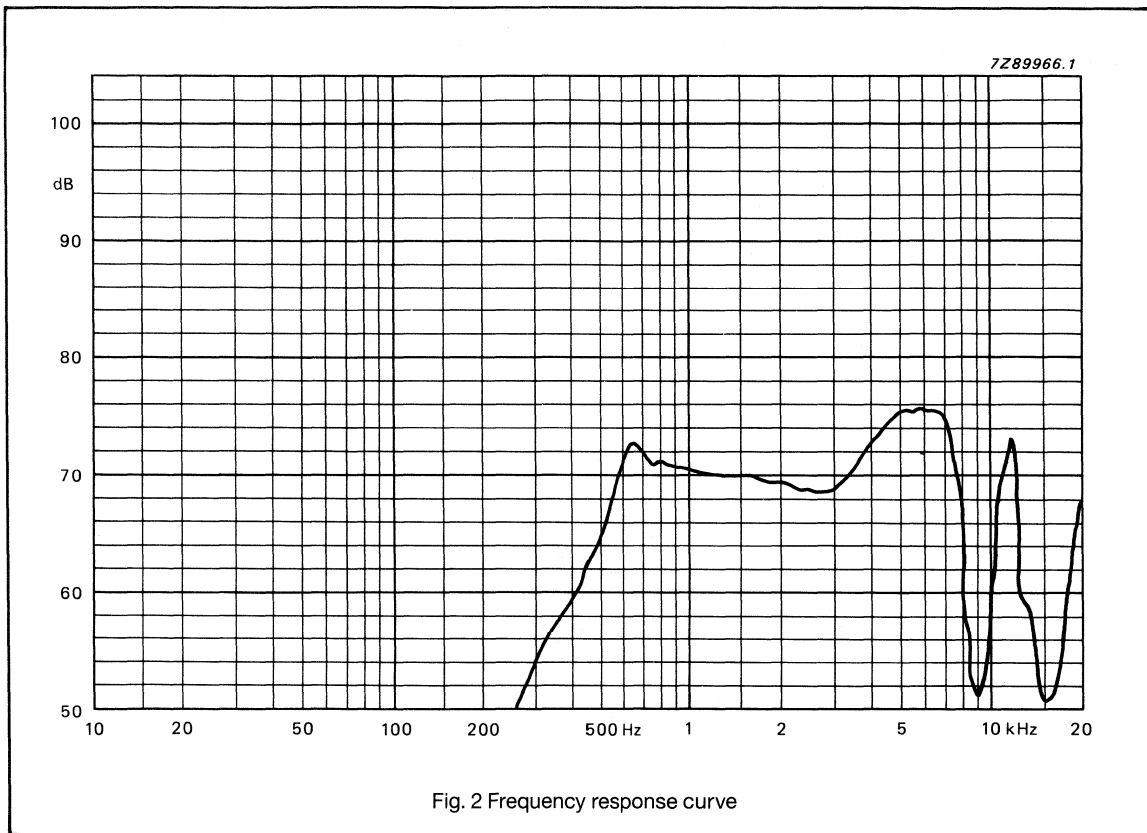


# 1 1/3" Speech Loudspeaker

# AD 01980/Y series

## FREQUENCY RESPONSE CURVES

Frequency response curves have been measured on an axis at a distance of 1 m with 0.1 W input power.



Catalogue number: 2403 256 12503  
2403 256 12502  
2403 256 12501

**Philips Components**

Data sheet	
status	Product specification
date of issue	November 1989

# AD 01985/Y series

## 1 1/2" Speech Loudspeaker

**APPLICATION**

Thin loudspeaker for use in intercoms, telephones and general professional instruments.

**DESCRIPTION**

- |            |                                   |
|------------|-----------------------------------|
| • Frame    | material: plastic<br>finish: none |
| • Membrane | colour: black                     |

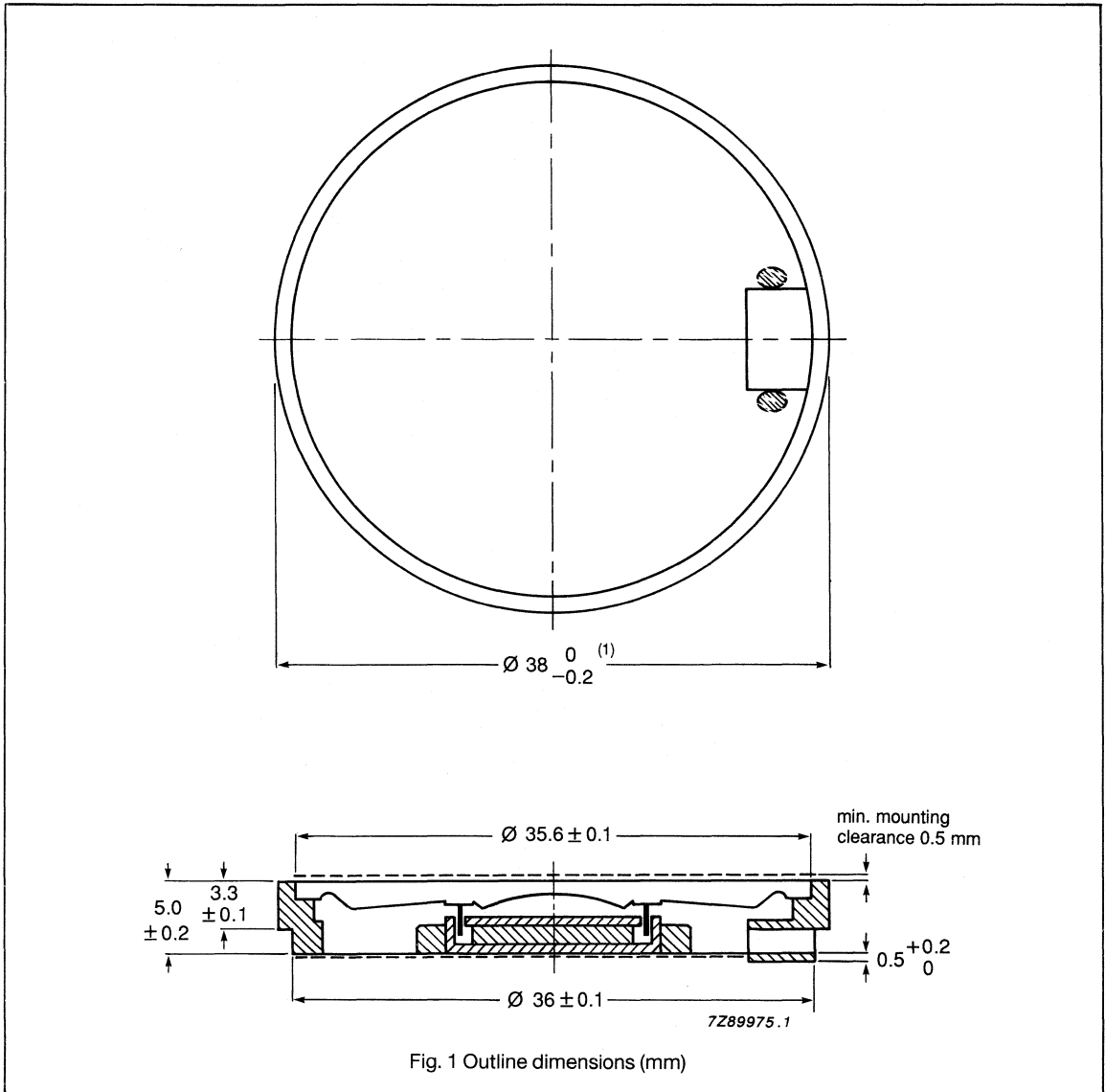
**TECHNICAL DATA**

	version			unit
	Y8	Y15	Y25	
<b>Unmounted</b>				
Rated impedance	8	15	25	Ω
Voice coil resistance	7.2	13.5	22.5	Ω
Resonance frequency	600	600	600	Hz
Sweep voltage	1.1	1.5	1.9	V
Magnetic flux density	0.55	0.55	0.55	T
Loudspeaker mass	7.5	7.5	7.5	g
<b>Mounted</b>				
Characteristic sensitivity	70			dB/W/m
Maximum noise power (PHC)	0.3			W

1 1/2" Speech Loudspeaker

AD 01985/Y series

MECHANICAL DATA

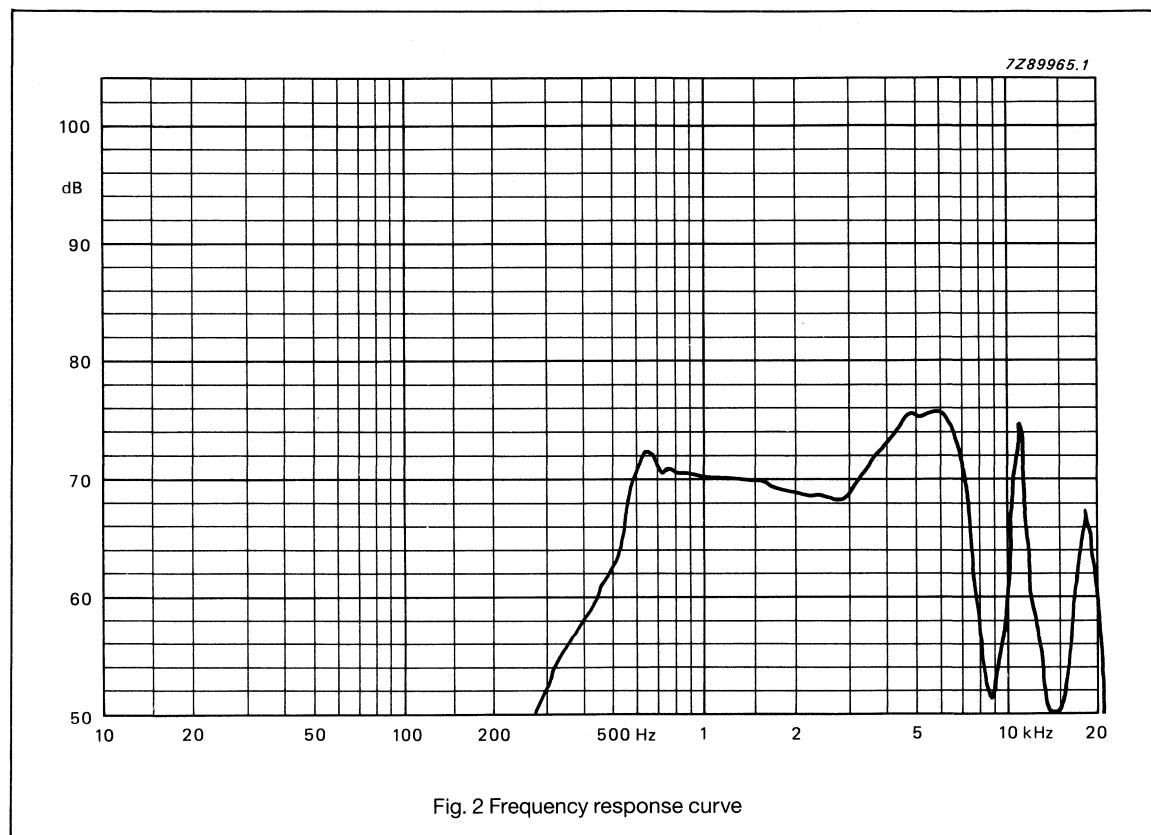


# 1 1/2" Speech Loudspeaker

# AD 01985/Y series

## FREQUENCY RESPONSE CURVES

Frequency response curves have been measured on an axis at a distance of 1 m with 0.1 W input power.



Catalogue number: 2403 256 12403  
2403 256 12402  
2403 256 12401

# WD 01621/Y.L series

## 1 1/2" Speech Loudspeaker

Data sheet	
status	Product specification
date of issue	March 1990

### APPLICATION

Mini loudspeaker for use in intercoms, telephones and general professional instruments.

### DESCRIPTION

• Frame	material: plastic finish: none
• Membrane	colour: transparent
• Suspension	material: plastic
• Dust cap	material: plastic colour: transparent

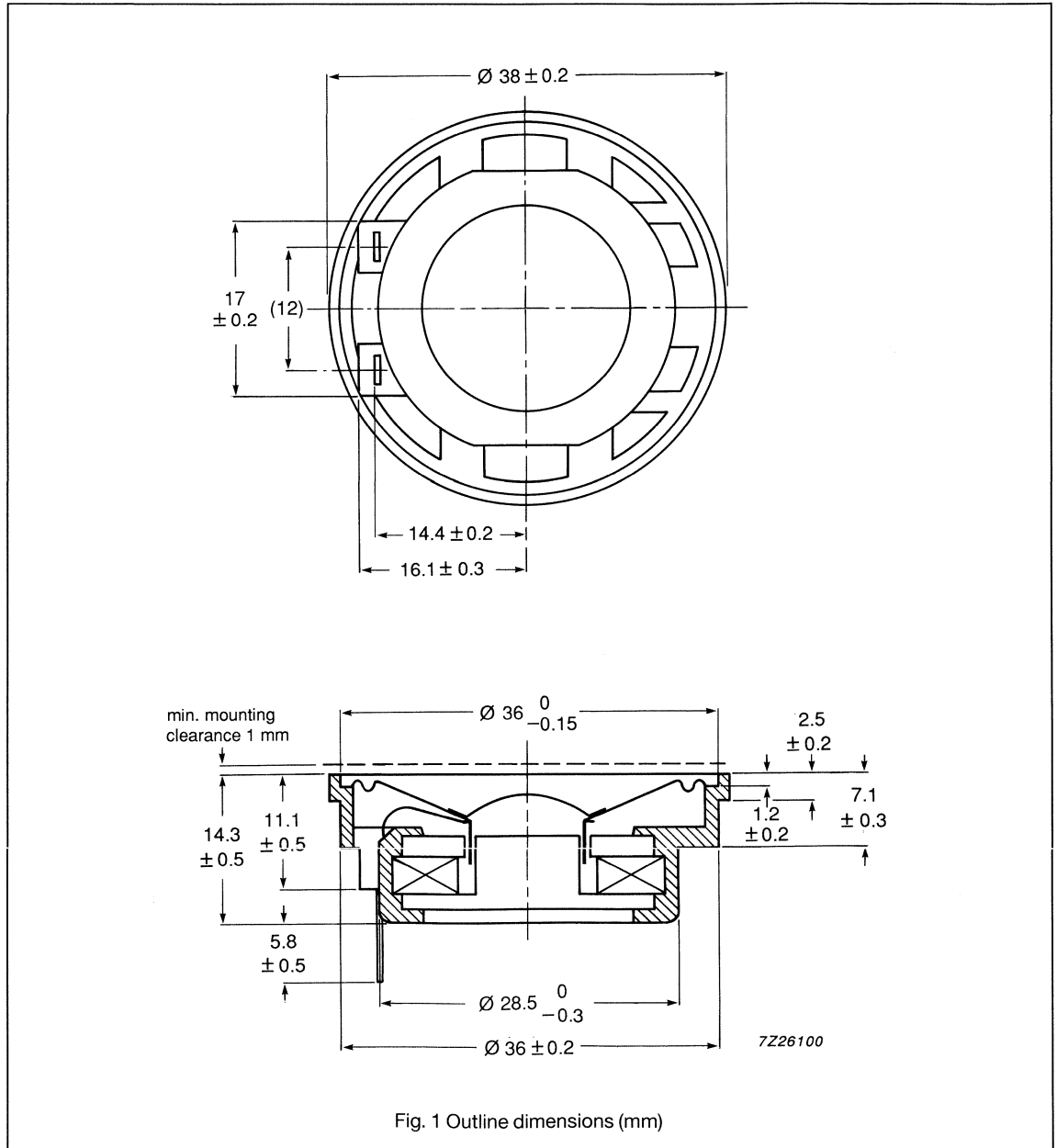
### TECHNICAL DATA

	version				unit
	Y4L	Y8L	Y15L	Y25L	
<b>Unmounted</b>					
Rated impedance	4	8	15	25	Ω
Voice coil resistance	3.6	7.2	13.5	22.5	Ω
Resonance frequency	440	440	440	440	Hz
Sweep voltage	0.77	1.09	1.5	1.93	V
Magnetic flux density	0.55	0.55	0.55	0.55	T
Loudspeaker mass	24	24	24	24	g
	version				
	Y50L	Y110L	Y150L	unit	
Rated impedance	50	110	150	Ω	
Voice coil resistance	45	100	135	Ω	
Resonance frequency	440	440	440	Hz	
Sweep voltage	2.73	4.06	4.74	V	
Magnetic flux density	0.55	0.55	0.55	T	
Loudspeaker mass	24	24	24	g	
<b>Mounted</b>					
Characteristic sensitivity		82		dB/W/m	
Maximum noise power (PHC)		0.3		W	

1 1/2" Speech Loudspeaker

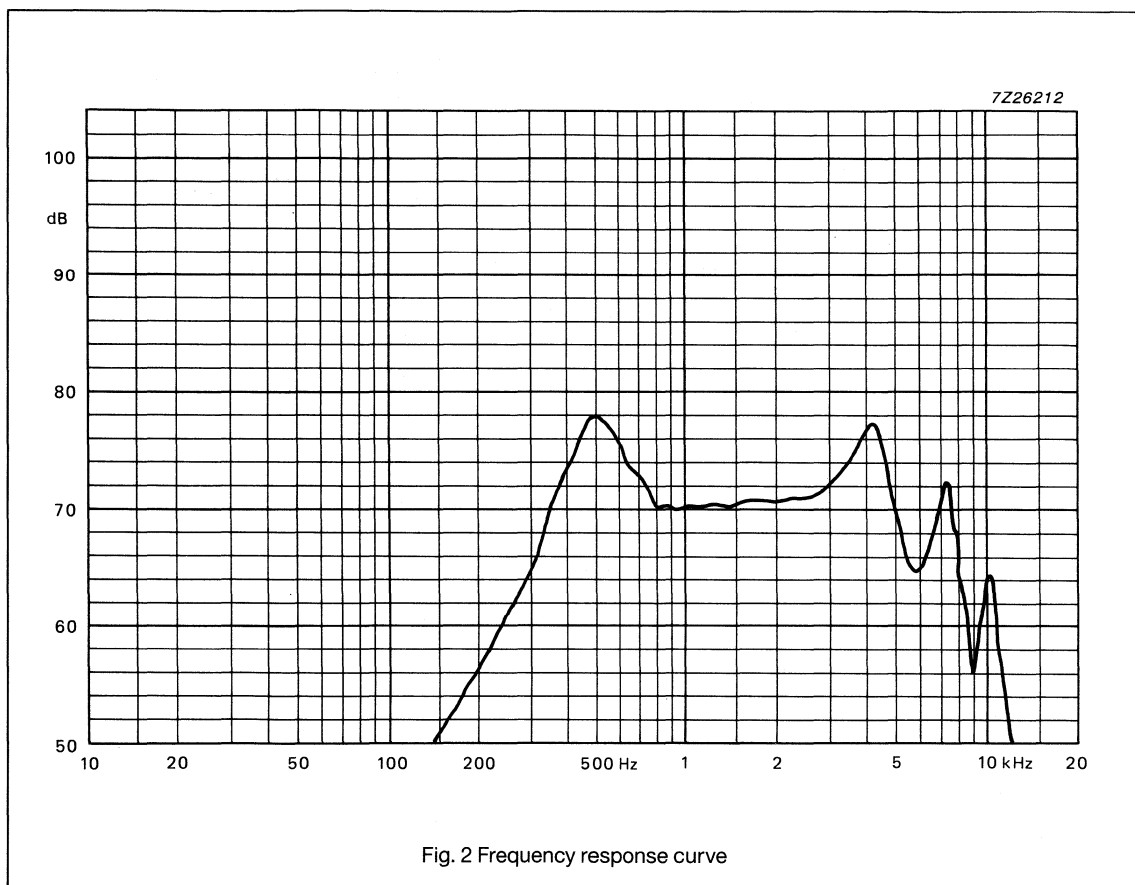
WD 01621/Y.L series

MECHANICAL DATA



**1 1/2" Speech Loudspeaker****WD 01621/Y.L series****FREQUENCY RESPONSE CURVES**

Frequency response curves have been measured on an axis at a distance of 1 m with 0.1 W input power.



Catalogue number: 2403 255 21001  
2403 255 21002  
2403 255 21003  
2403 255 21004  
2403 255 21005  
2403 255 21006  
2403 255 21007

## Philips Components

Data sheet	
status	Product specification
date of issue	March 1990

# WD 20621/Y.L series 2" Speech Loudspeaker

### APPLICATION

Mini loudspeaker for use in intercoms, telephones and general professional instruments.

### DESCRIPTION

• Frame	material: plastic finish: none
• Membrane	colour: transparent
• Suspension	material: plastic
• Dust cap	material: plastic colour: transparent

### TECHNICAL DATA

	version				unit
	Y4L	Y8L	Y15L	Y25L	
<b>Unmounted</b>					
Rated impedance	4	8	15	25	Ω
Voice coil resistance	3.6	7.2	13.5	22.5	Ω
Resonance frequency	390	390	390	390	Hz
Sweep voltage	0.77	1.09	1.5	1.93	V
Magnetic flux density	0.55	0.55	0.55	0.55	T
Loudspeaker mass	26	26	26	26	g
	version			unit	
	Y50L	Y110L	Y150L		
Rated impedance	50	110	150	Ω	
Voice coil resistance	45	100	135	Ω	
Resonance frequency	390	390	390	Hz	
Sweep voltage	2.73	4.06	4.74	V	
Magnetic flux density	0.55	0.55	0.55	T	
Loudspeaker mass	26	26	26	g	
<b>Mounted</b>					
Characteristic sensitivity		83		dB/W/m	
Maximum noise power (PHC)		0.3		W	



2" Speech Loudspeaker

WD 20621/Y.L series

MECHANICAL DATA

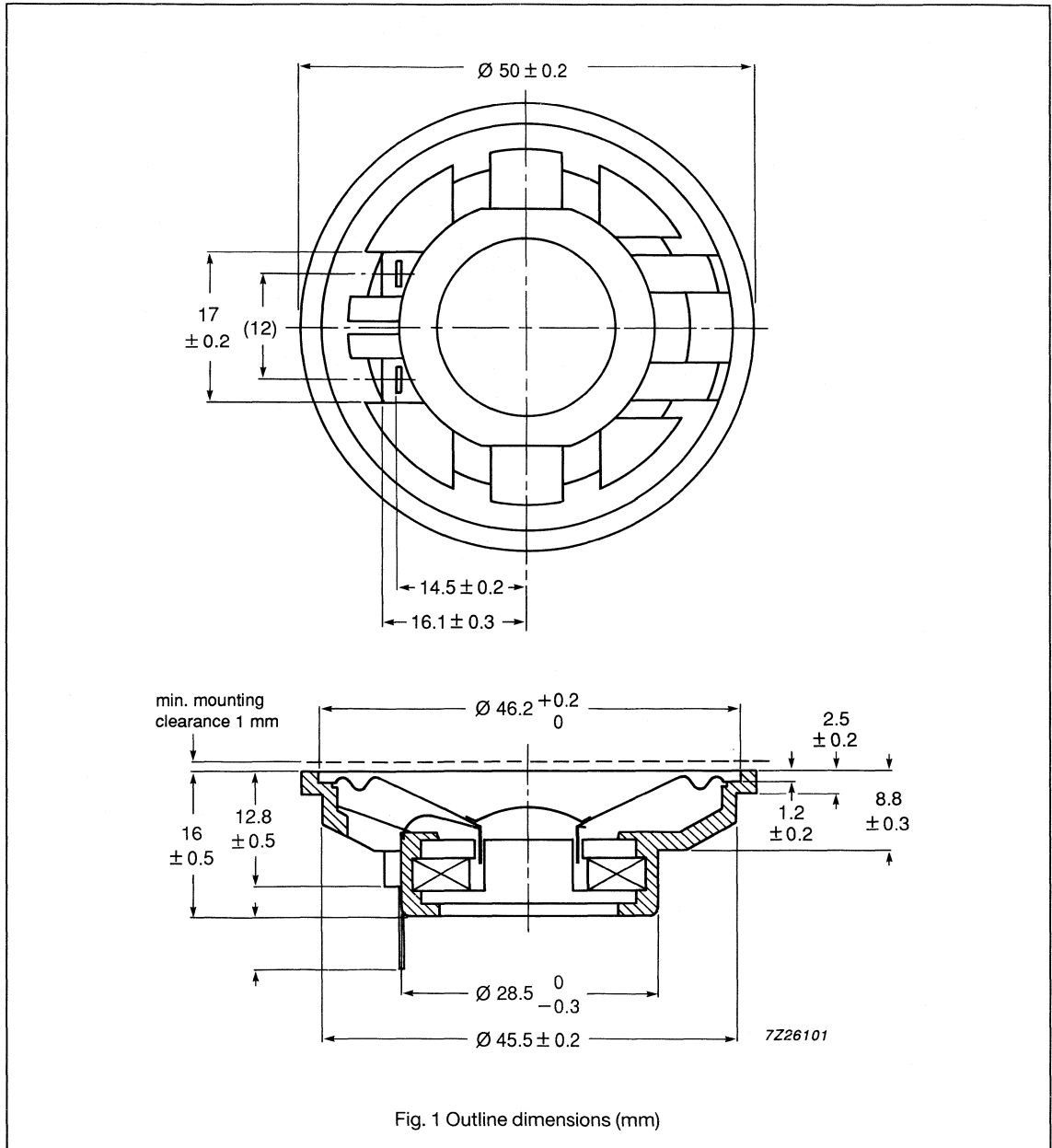


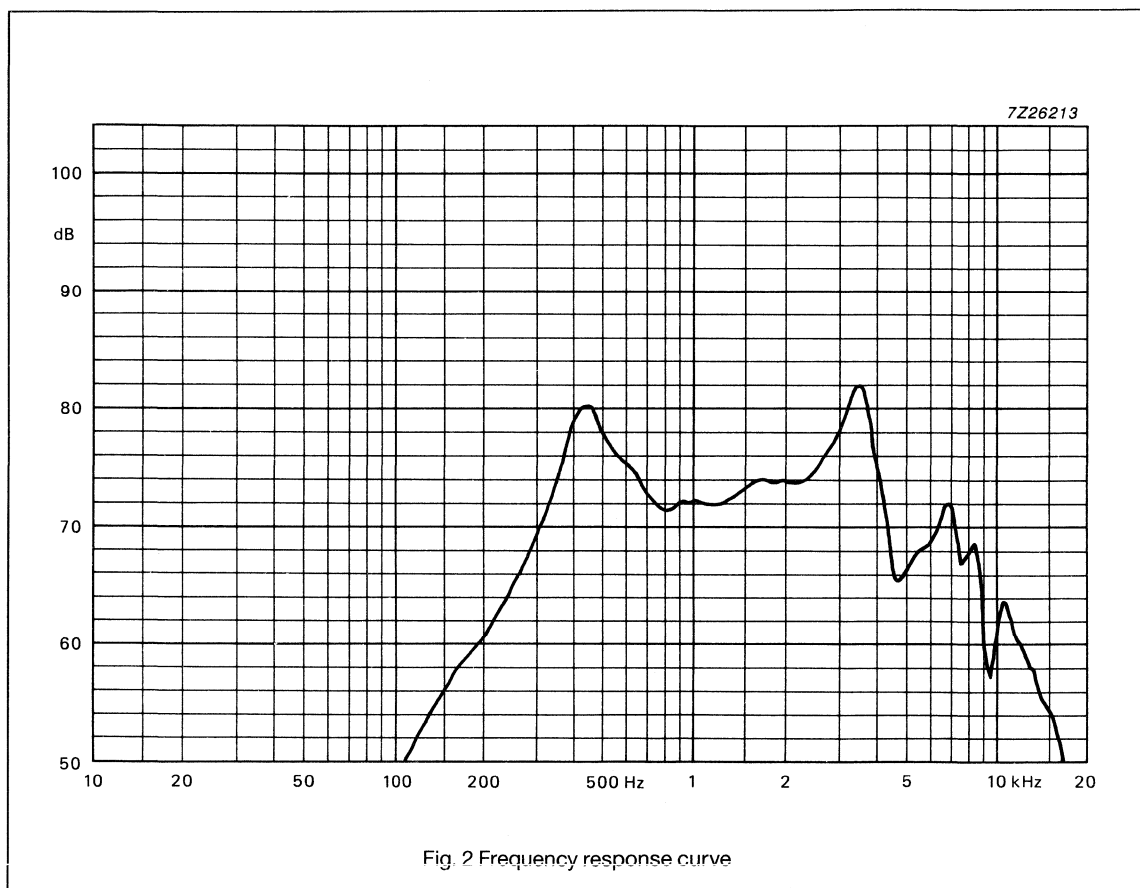
Fig. 1 Outline dimensions (mm)

## 2" Speech Loudspeaker

## WD 20621/Y.L series

### FREQUENCY RESPONSE CURVES

Frequency response curves have been measured on an axis at a distance of 1 m with 0.1 W input power.



Catalogue number: 2403 255 31001

2403 255 31002

2403 255 31003

2403 255 31004

2403 255 31005

2403 255 31006

2403 255 31007

## Philips Components

Data sheet	
status	Product specification
date of issue	May 1990

# AD 2071/Z series

## 2 1/2" Speech Loudspeaker

### APPLICATION

Small loudspeaker for use in intercoms, telephones and general professional instruments.

### DESCRIPTION

• Frame	material: plastic finish: black
• Membrane	colour: black
• Suspension	material: paper
• Dust cap	material: plastic colour: black
• Gasket	none

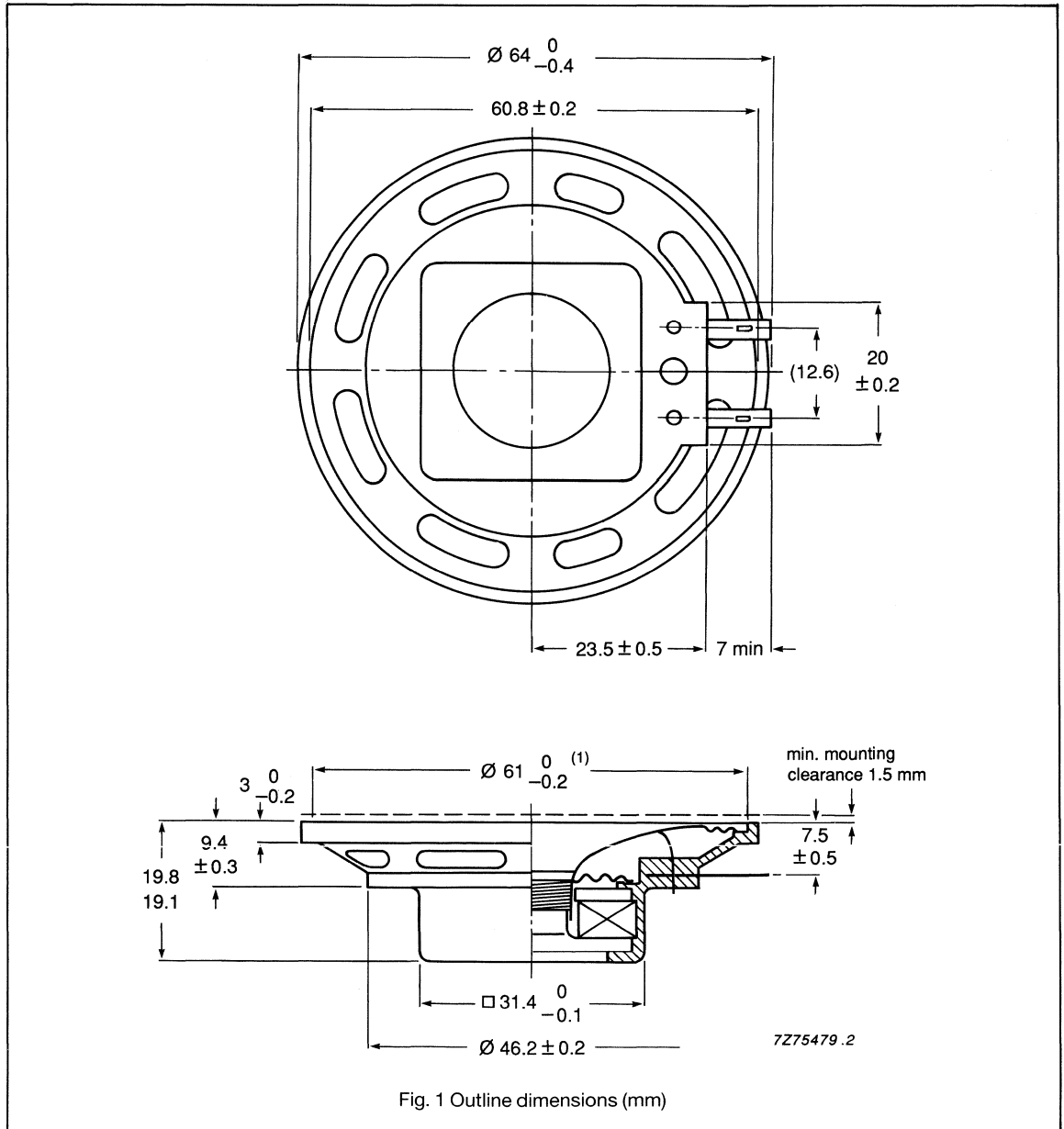
### TECHNICAL DATA

	version				unit
	Z4	Z8	Z15	Z25	
<b>Unmounted</b>					
Rated impedance	4	8	15	25	Ω
Voice coil resistance	3.6	7.2	13.5	22.5	Ω
Resonance frequency	360	360	360	360	Hz
Sweep voltage	1.4	2.0	2.73	3.5	V
Magnetic flux density	0.74	0.74	0.74	0.74	T
Loudspeaker mass	50	50	50	50	g
	version				
	Z50	Z110	Z150	Z300	unit
Rated impedance	50	110	150	300	Ω
Voice coil resistance	45	100	135	270	Ω
Resonance frequency	360	360	360	360	Hz
Sweep voltage	5.0	7.4	8.7	12.2	V
Magnetic flux density	0.74	0.74	0.74	0.74	T
Loudspeaker mass	50	50	50	50	g
<b>Mounted</b>					
Characteristic sensitivity		86			dB/W/m
Maximum noise power (PHC)		1.0			W

2 1/2" Speech Loudspeaker

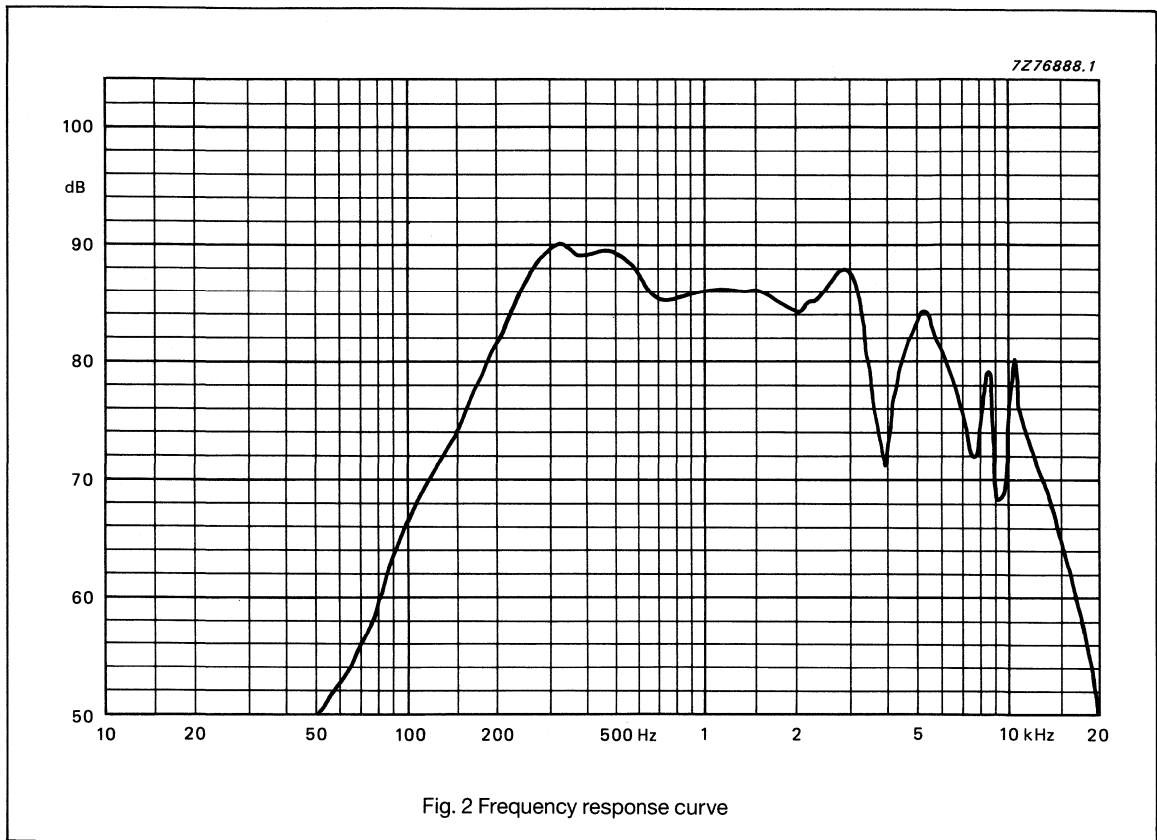
AD 2071/Z series

MECHANICAL DATA



**2 1/2" Speech Loudspeaker****AD 2071/Z series****FREQUENCY RESPONSE CURVES**

Frequency response curves have been measured on an axis at a distance of 1 m with 1 W input power.



Catalogue number: 2403 257 23101  
2403 257 23102  
2403 257 23103  
2403 257 23104  
2403 257 23106  
2403 257 23108  
2403 257 23105  
2403 257 23107

**Philips Components**

Data sheet	
status	Product specification
date of issue	May 1990

# AD 26320/X8

## 2 x 6" Full Range Oval Loudspeaker

**APPLICATION**

Full range video loudspeaker.

**DESCRIPTION**

• Frame	material: steel finish: zinc yellow
• Membrane	colour: black
• Suspension	material: textile
• Dust cap	material: mylar colour: black
• Gasket	: none

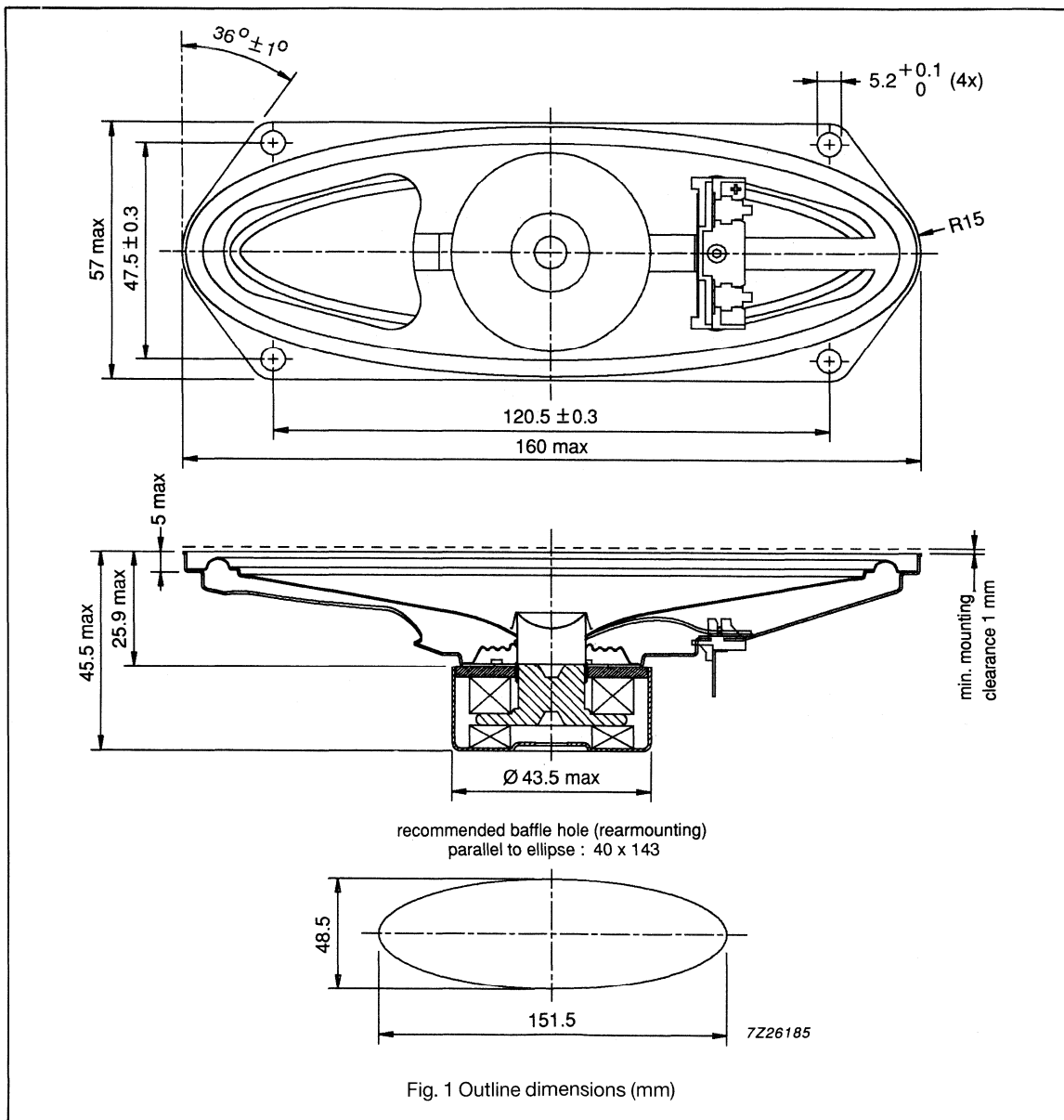
**TECHNICAL DATA**

<b>Unmounted</b>		
Rated impedance	8	$\Omega$
Voice coil resistance	7	$\Omega$
Resonance frequency	155	Hz
Sweep voltage	4.5	V
Magnetic flux density	0.84	T
Loudspeaker mass	176	g
<b>Mounted</b>		
Characteristic sensitivity	84	dB/W/m
Maximum noise power (PHC)	5.0	W

## 2 x 6" Full Range Oval Loudspeaker

AD 26320/X8

## MECHANICAL DATA



**2 x 6" Full Range Oval Loudspeaker**

**AD 26320/X8**

**FREQUENCY RESPONSE CURVES**

Frequency response curves have been measured on an axis at a distance of 1 m with 1 W input power.

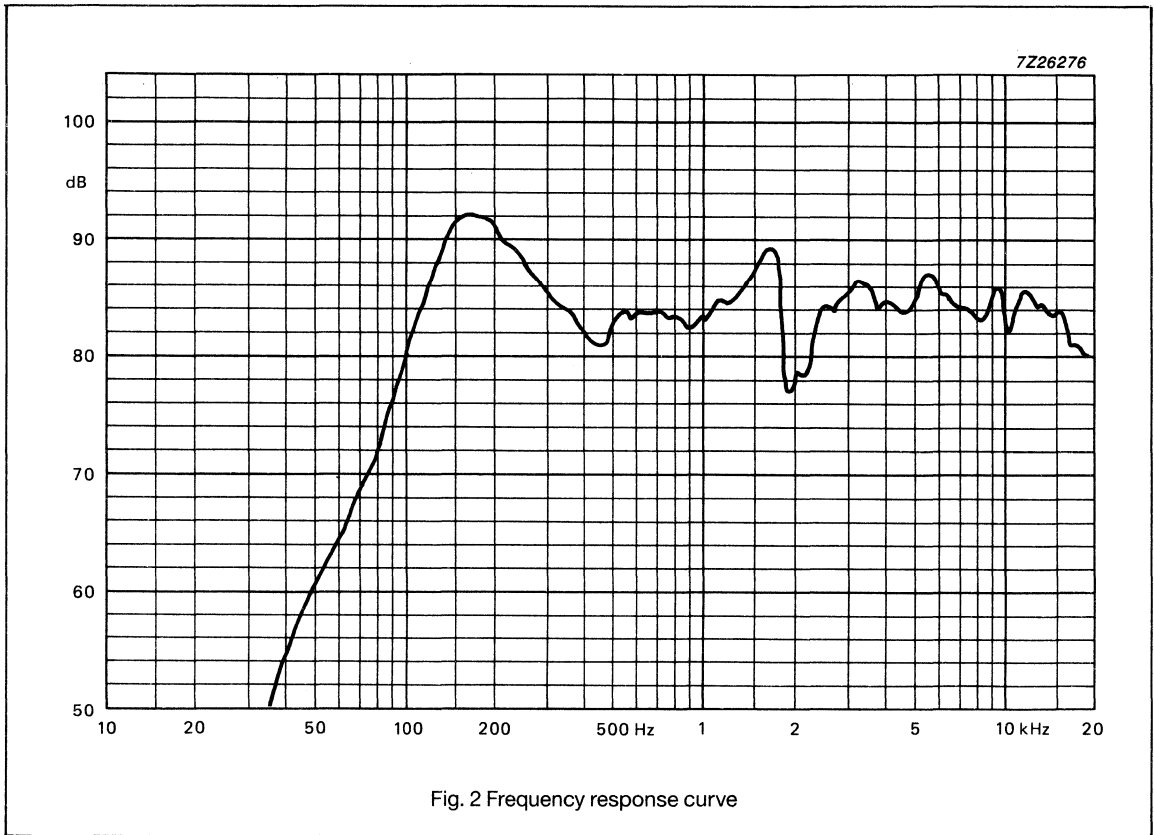


Fig. 2 Frequency response curve

Catalogue number: 2422 257 29416



**Philips Components**

Data sheet	
status	Product specification
date of issue	May 1990

# AD 26321/X15

## 2 x 6" Full Range Oval Loudspeaker

**APPLICATION**

Full range video loudspeaker.

**DESCRIPTION**

• Frame	material: steel finish: zinc yellow
• Membrane	colour: black
• Suspension	material: paper
• Dust cap	material: mylar colour: black
• Gasket	material: cardboard position: front

**TECHNICAL DATA**

<b>Unmounted</b>		
Rated impedance	15	$\Omega$
Voice coil resistance	13	$\Omega$
Resonance frequency	190	Hz
Sweep voltage	4.7	V
Magnetic flux density	0.84	T
Loudspeaker mass	176	g
<b>Mounted</b>		
Characteristic sensitivity	84	dB/W/m
Maximum noise power (PHC)	3.0	W

# 2 x 6" Full Range Oval Loudspeaker

AD 26321/X15

## MECHANICAL DATA

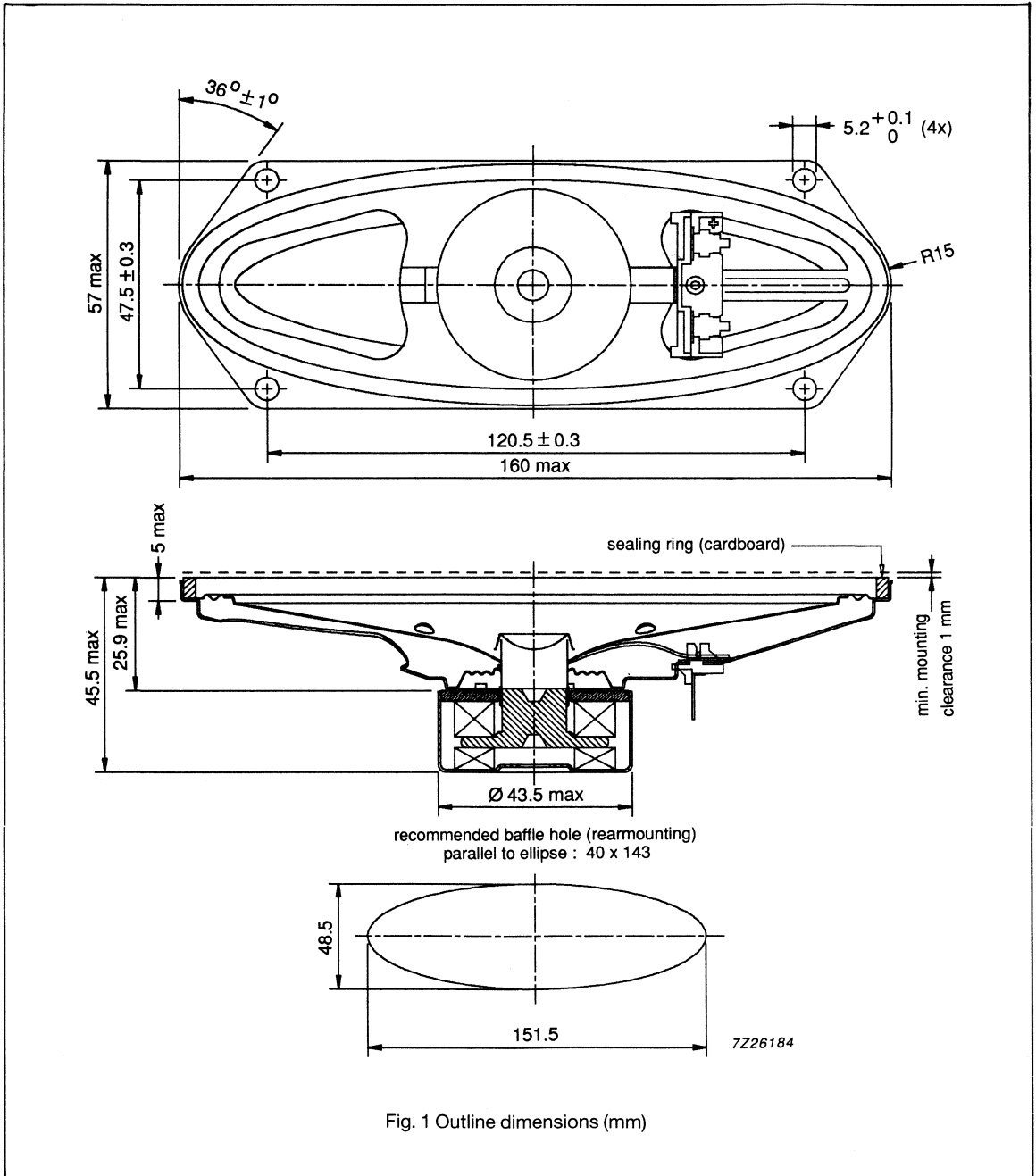
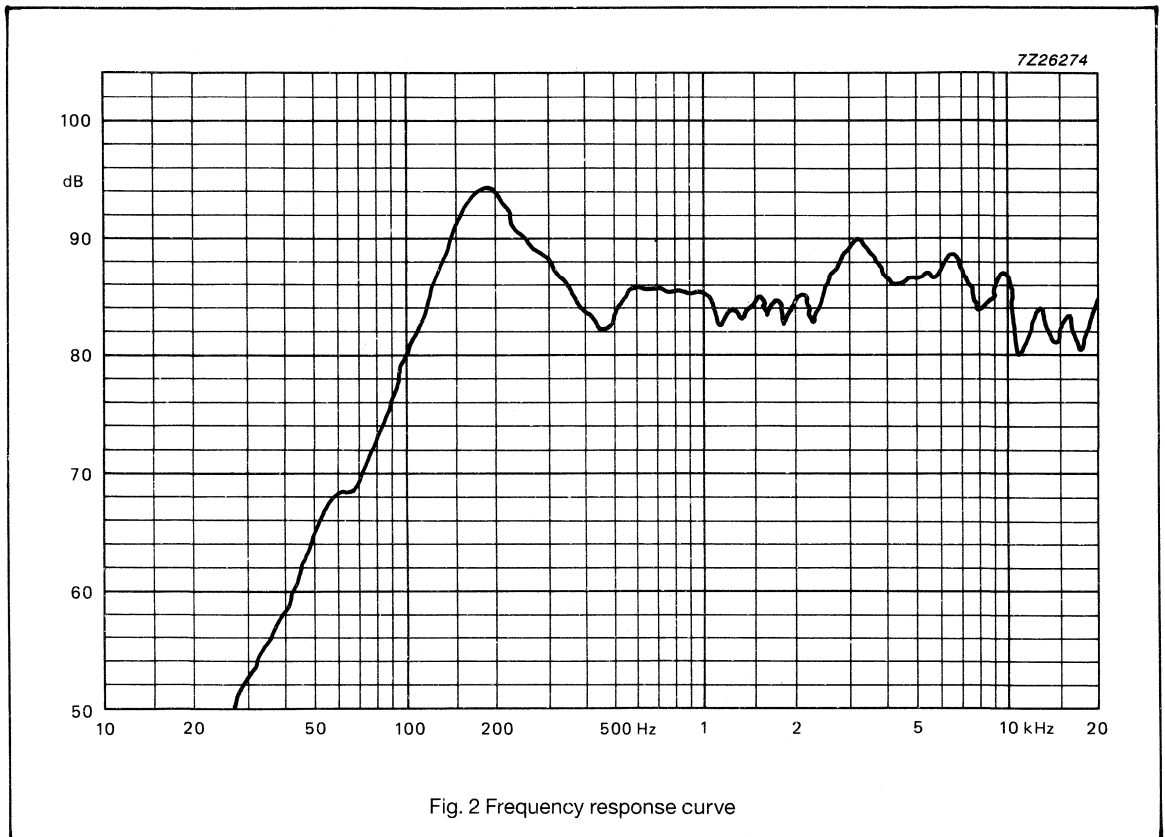


Fig. 1 Outline dimensions (mm)

**2 x 6" Full Range Oval Loudspeaker****AD 26321/X15****FREQUENCY RESPONSE CURVES**

Frequency response curves have been measured on an axis at a distance of 1 m with 1 W input power.



Catalogue number: 2422 257 29417

**Philips Components**

Data sheet	
status	Product specification
date of issue	November 1989

# WD 35720 series

## 3 x 5" Full Range Oval Loudspeaker

**APPLICATION**

Full range loudspeaker for audio applications.

**DESCRIPTION**

• Frame	material: plastic finish: black
• Membrane	colour: black
• Suspension	material: paper
• Dust cap	material: plastic colour: black
• Gasket	none

**TECHNICAL DATA**

	version				unit
	X4	X8	X15	X25	
<b>Unmounted</b>					
Rated impedance	4	8	15	25	$\Omega$
Voice coil resistance	3.6	7.2	13.5	22.5	$\Omega$
Resonance frequency	160	160	160	160	Hz
Sweep voltage	2.44	3.46	4.74	6.12	V
Magnetic flux density	0.74	0.74	0.74	0.74	T
Loudspeaker mass	74	74	74	74	g
<b>Mounted</b>					
Characteristic sensitivity		86			dB/W/m
Maximum noise power (PHC)		3.0			W

3 x 5" Full Range Oval Loudspeaker

WD 35720 series

MECHANICAL DATA

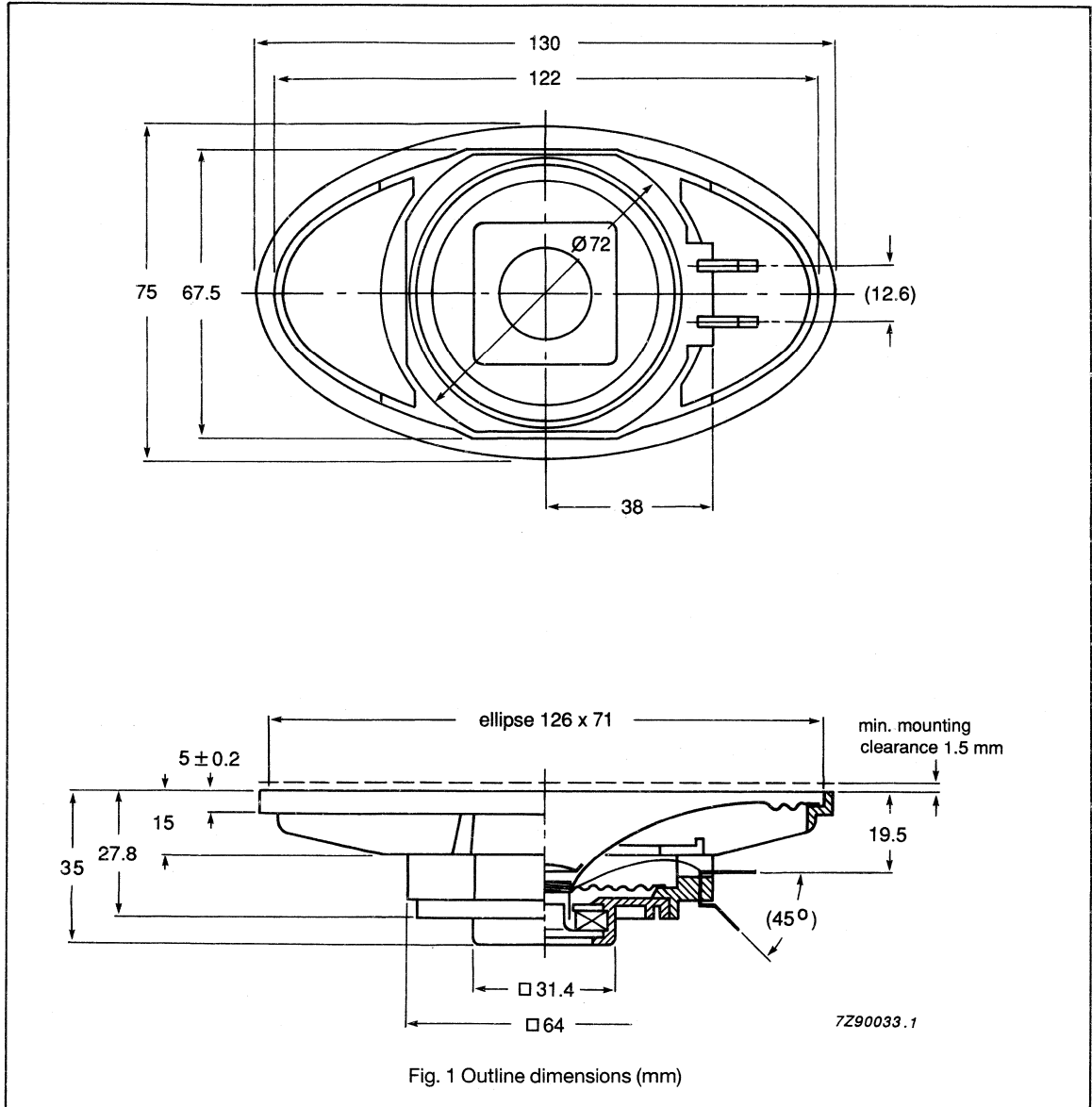
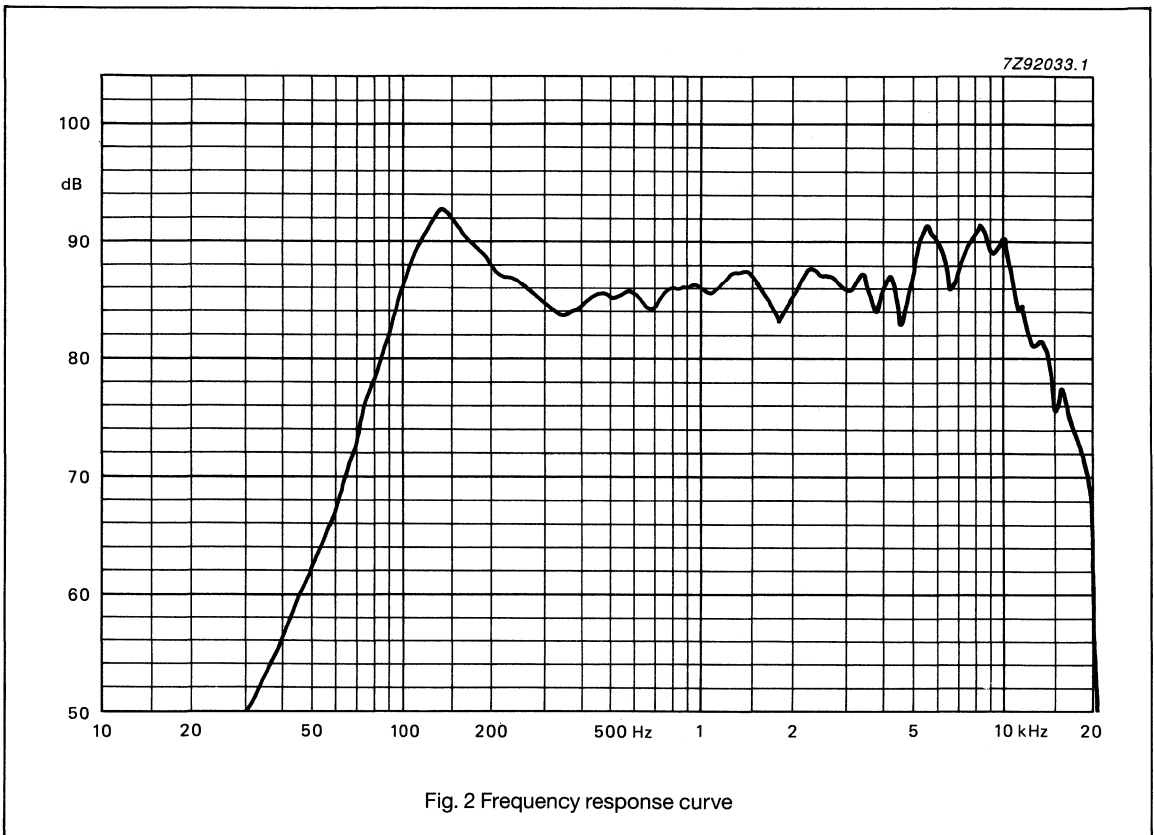


Fig. 1 Outline dimensions (mm)

**3 x 5" Full Range Oval Loudspeaker****WD 35720 series****FREQUENCY RESPONSE CURVES**

Frequency response curves have been measured on an axis at a distance of 1 m with 1 W input power.



Catalogue number: 2403 251 50001  
2403 251 50002  
2403 251 50003  
2403 251 50004

# WD 35721 series

## 3 x 5" Full Range Oval Loudspeaker

Data sheet	
status	Product specification
date of issue	October 1989

### APPLICATION

Full range loudspeaker for audio applications.

### DESCRIPTION

• Frame	material: plastic finish: none
• Membrane	colour: black
• Suspension	material: paper
• Dust cap	material: plastic colour: black
• Gasket	none

### TECHNICAL DATA

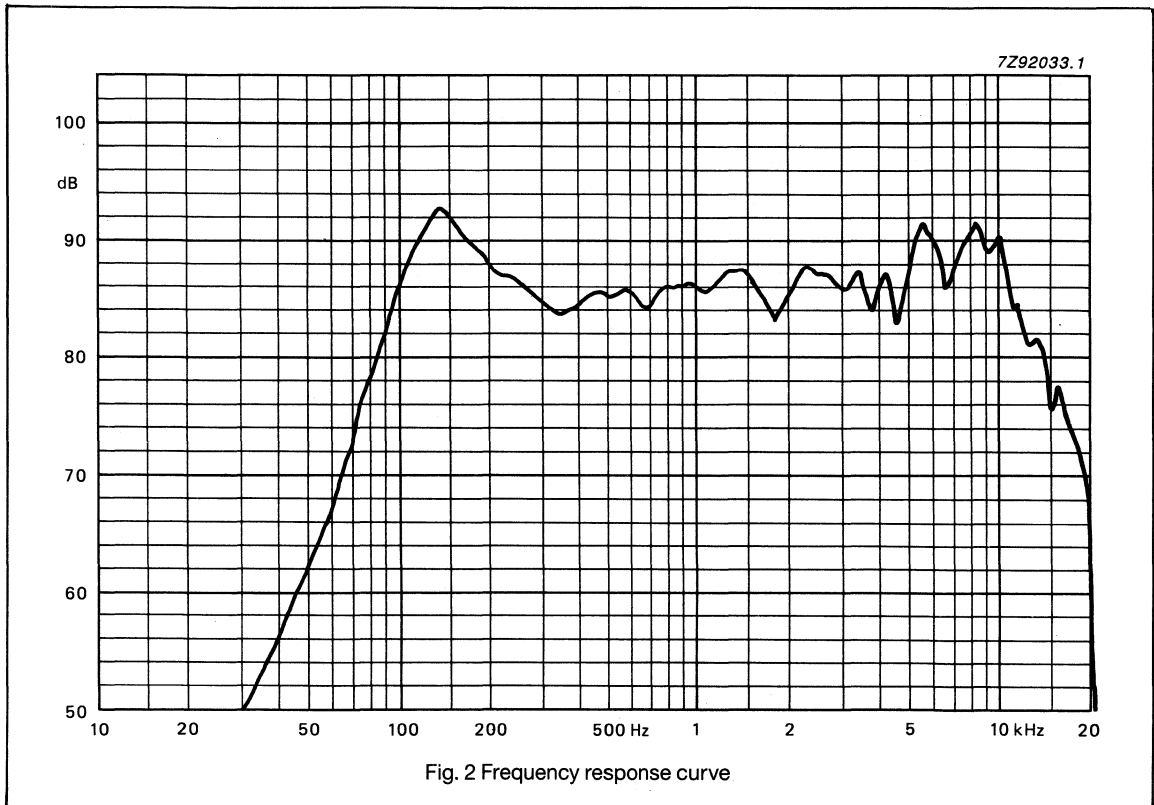
	version				unit
	X4	X8	X15	X25	
<b>Unmounted</b>					
Rated impedance	4	8	15	25	Ω
Voice coil resistance	3.6	7.2	13.5	22.5	Ω
Resonance frequency	160	160	160	160	Hz
Sweep voltage	2.44	3.46	4.74	6.12	V
Magnetic flux density	0.74	0.74	0.74	0.74	T
Loudspeaker mass	74	74	74	74	g
<b>Mounted</b>					
Characteristic sensitivity		86			dB/W/m
Maximum noise power (PHC)		3.0			W





**3 x 5" Full Range Oval Loudspeaker****WD 35721 series****FREQUENCY RESPONSE CURVES**

Frequency response curves have been measured on an axis at a distance of 1 m with 1 W input power.



Catalogue number: 2403 251 51201  
2403 251 51202  
2403 251 51203  
2403 251 51204

Data sheet	
status	Product specification
date of issue	October 1989

# WD 35722 series

## 3 x 5" Full Range Oval Loudspeaker

### APPLICATION

Full range loudspeaker for audio applications.

### DESCRIPTION

• Frame	material: plastic finish: none
• Membrane	colour: black
• Suspension	material: paper
• Dust cap	material: plastic colour: black
• Gasket	none

### TECHNICAL DATA

	version				unit
	X4	X8	X15	X25	
<b>Unmounted</b>					
Rated impedance	4	8	15	25	$\Omega$
Voice coil resistance	3.6	7.2	13.5	22.5	$\Omega$
Resonance frequency	160	160	160	160	Hz
Sweep voltage	2.44	3.46	4.74	6.12	V
Magnetic flux density	0.74	0.74	0.74	0.74	T
Loudspeaker mass	74	74	74	74	g
<b>Mounted</b>					
Characteristic sensitivity		86			dB/W/m
Maximum noise power (PHC)		3.0			W

3 x 5" Full Range Oval Loudspeaker

WD 35722 series

MECHANICAL DATA

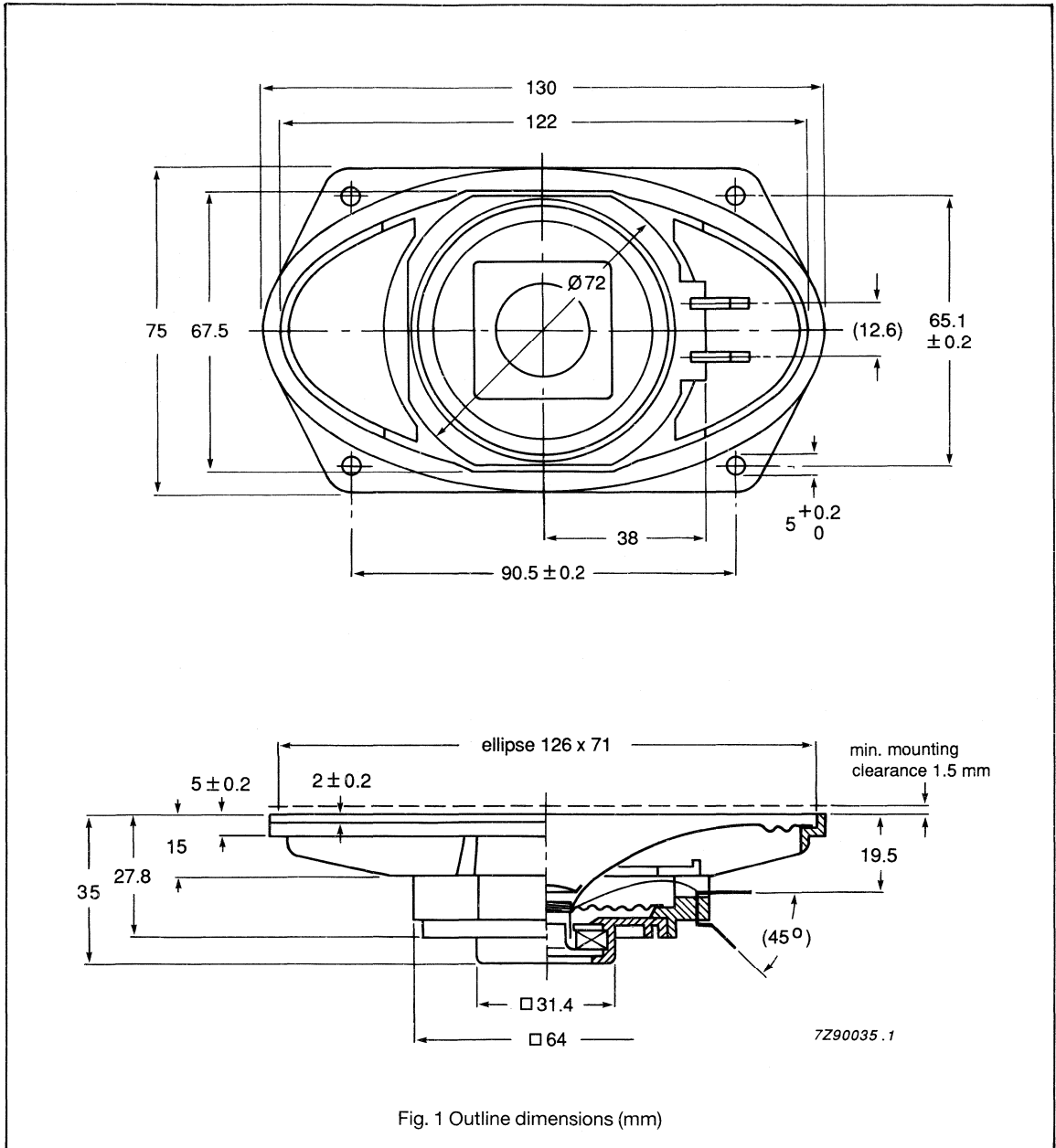


Fig. 1 Outline dimensions (mm)

**3 x 5" Full Range Oval Loudspeaker**

**WD 35722 series**

**FREQUENCY RESPONSE CURVES**

Frequency response curves have been measured on an axis at a distance of 1 m with 1 W input power.

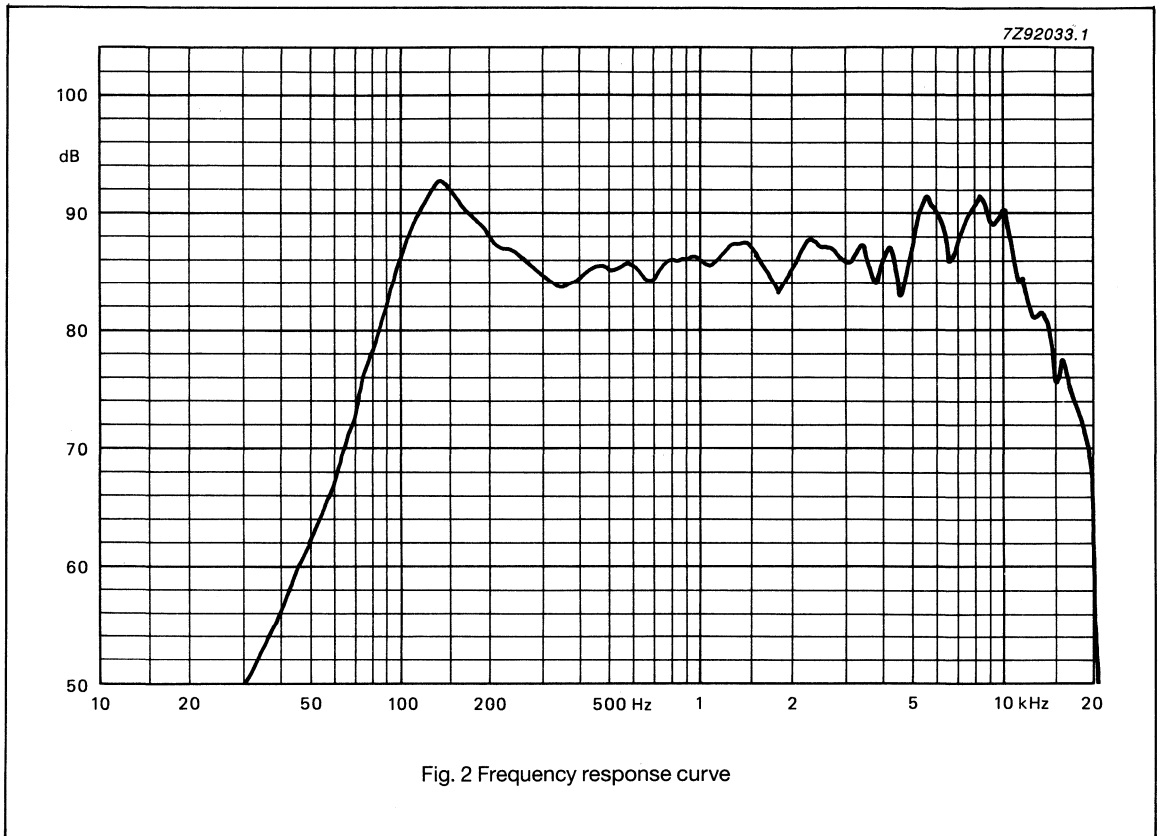


Fig. 2 Frequency response curve

- Catalogue number: 2403 251 50101
- 2403 251 50102
- 2403 251 50103
- 2403 251 50104

<b>Data sheet</b>	
<b>status</b>	Product specification
<b>date of issue</b>	October 1989

# WD 35725 series

## 3 x 5" Full Range Oval Loudspeaker

### APPLICATION

Full range loudspeaker for audio applications.

### DESCRIPTION

• Frame	material: plastic finish: none
• Membrane	colour: black
• Suspension	material: paper
• Dust cap	material: plastic colour: black
• Gasket	none

### TECHNICAL DATA

	version				unit	
	X4	X8	X15	X25		
<b>Unmounted</b>						
Rated impedance	4	8	15	25	Ω	
Voice coil resistance	3.6	7.2	13.5	22.5	Ω	
Resonance frequency	160	160	160	160	Hz	
Sweep voltage	3.16	4.47	6.12	7.9	V	
Magnetic flux density	0.74	0.74	0.74	0.74	T	
Loudspeaker mass	74	74	74	74	g	
<b>Mounted</b>						
Characteristic sensitivity					86	dB/W/m
Maximum noise power (PHC)					5.0	W

3 x 5" Full Range Oval Loudspeaker

WD 35725 series

MECHANICAL DATA

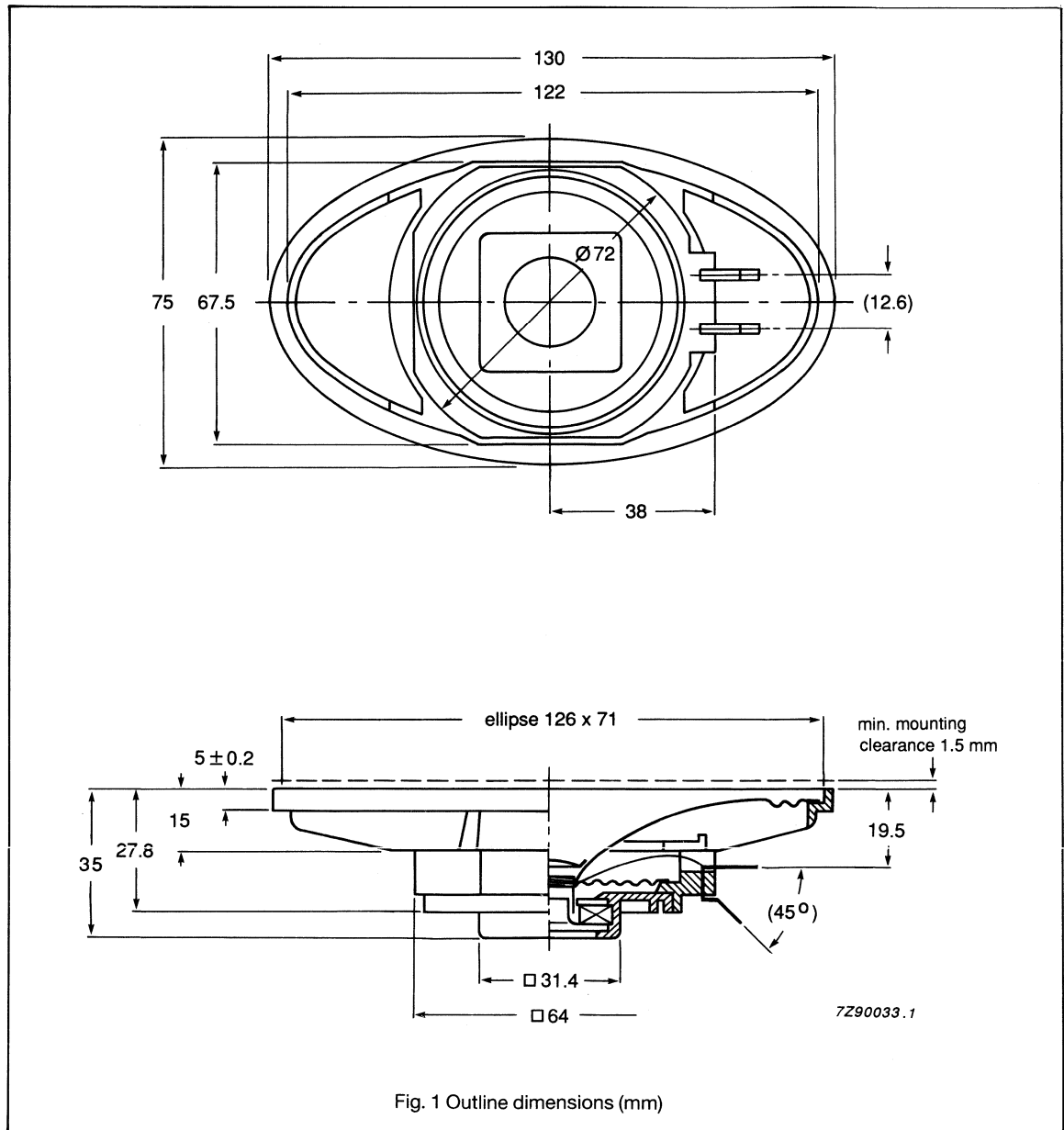
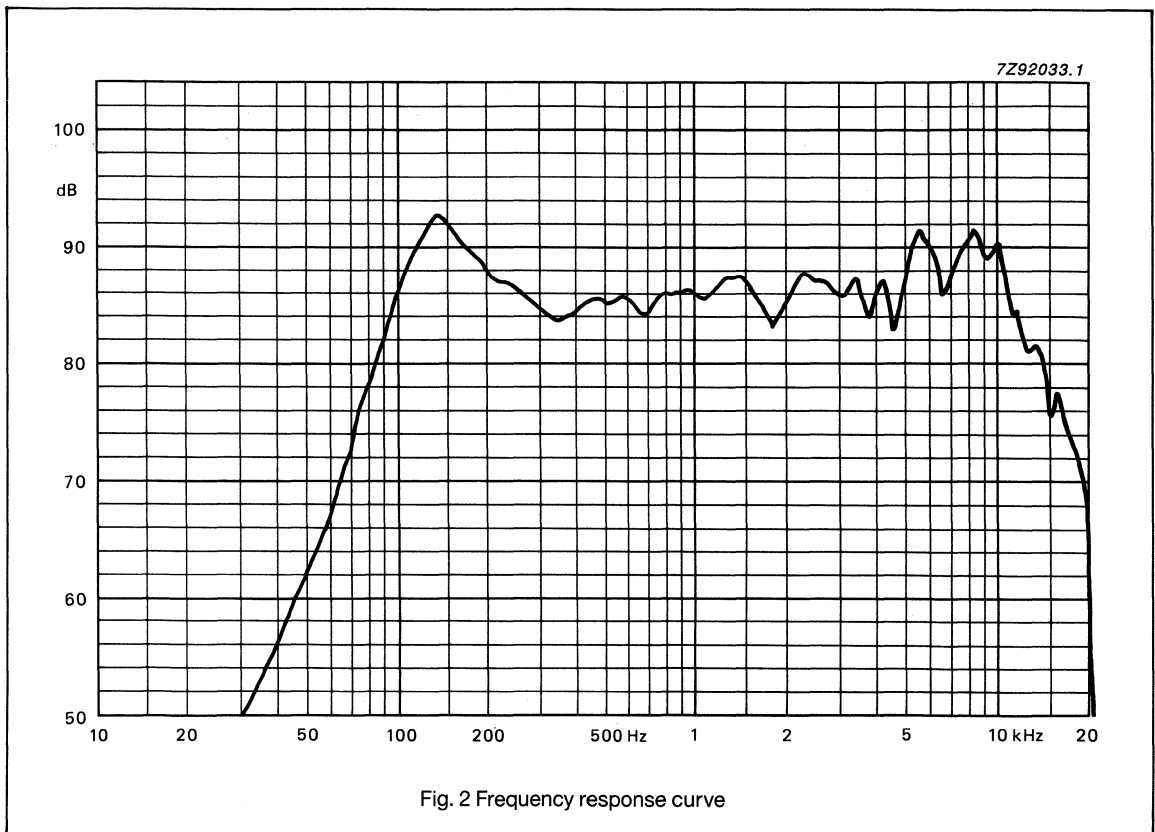


Fig. 1 Outline dimensions (mm)

**3 x 5" Full Range Oval Loudspeaker****WD 35725 series****FREQUENCY RESPONSE CURVES**

Frequency response curves have been measured on an axis at a distance of 1 m with 1 W input power.



Catalogue number: 2403 251 50601  
2403 251 50602  
2403 251 50603  
2403 251 50604

## Philips Components

Data sheet	
status	Product specification
date of issue	October 1989

# WD 35726 series

## 3 x 5" Full Range Oval Loudspeaker

### APPLICATION

Full range loudspeaker for audio applications.

### DESCRIPTION

• Frame	material: plastic finish: none
• Membrane	colour: black
• Suspension	material: paper
• Dust cap	material: plastic colour: black
• Gasket	none

### TECHNICAL DATA

	version				unit
	X4	X8	X15	X25	
<b>Unmounted</b>					
Rated impedance	4	8	15	25	$\Omega$
Voice coil resistance	3.6	7.2	13.5	22.5	$\Omega$
Resonance frequency	160	160	160	160	Hz
Sweep voltage	3.16	4.47	6.12	7.9	V
Magnetic flux density	0.74	0.74	0.74	0.74	T
Loudspeaker mass	74	74	74	74	g
<b>Mounted</b>					
Characteristic sensitivity		86			dB/W/m
Maximum noise power (PHC)		5.0			W



3 x 5" Full Range Oval Loudspeaker

WD 35726 series

MECHANICAL DATA

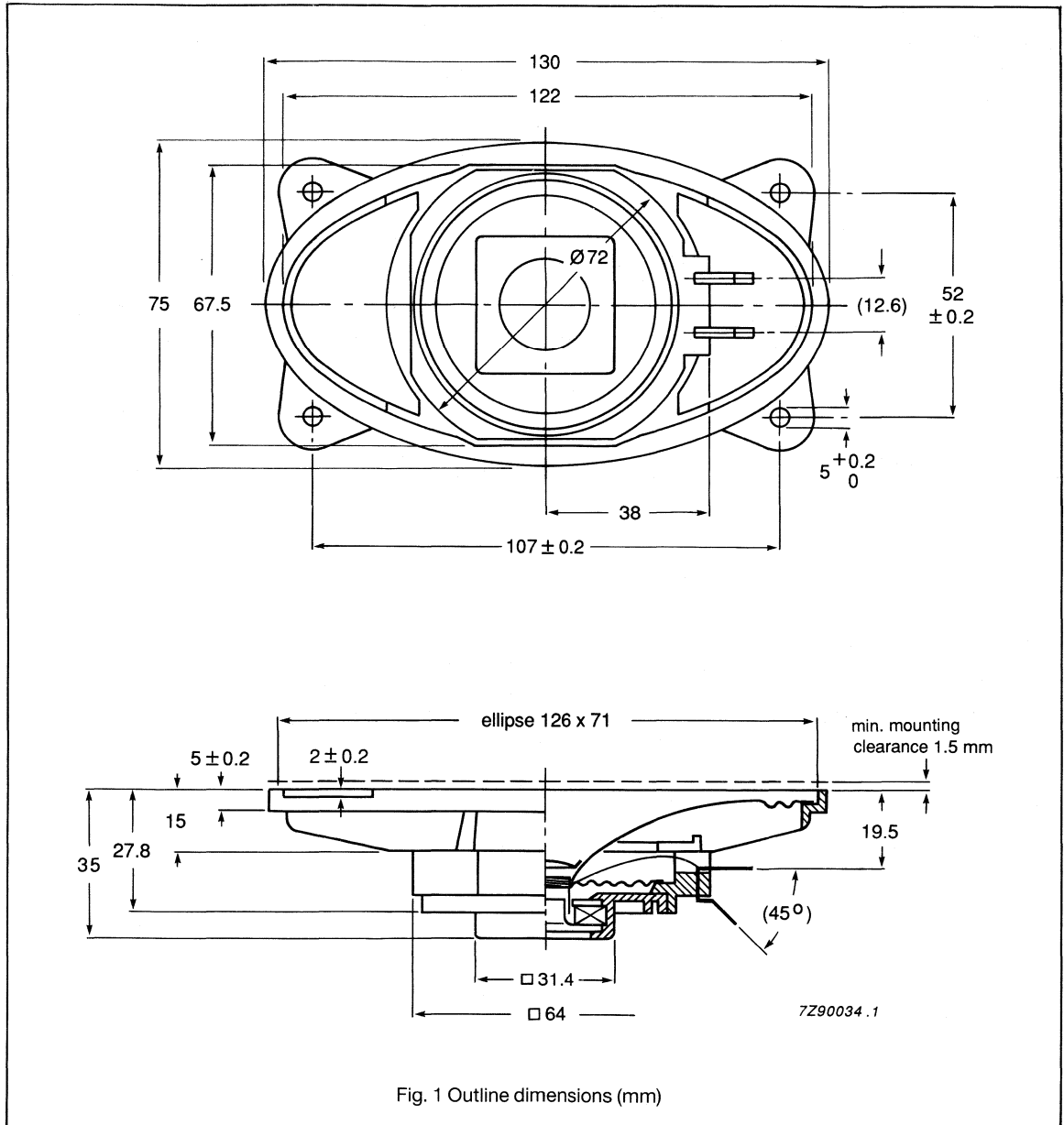
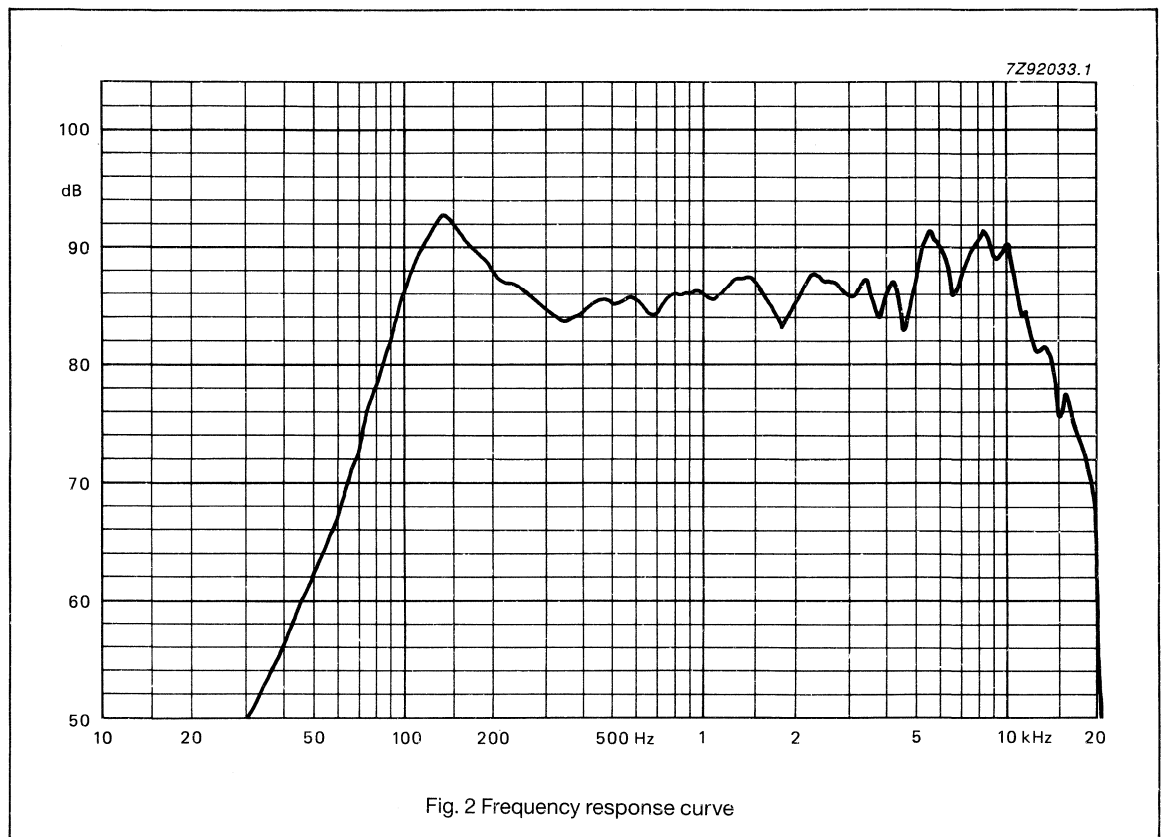


Fig. 1 Outline dimensions (mm)

**3 x 5" Full Range Oval Loudspeaker****WD 35726 series****FREQUENCY RESPONSE CURVES**

Frequency response curves have been measured on an axis at a distance of 1 m with 1 W input power.



Catalogue number: 2403 251 51501  
2403 251 51502  
2403 251 51503  
2403 251 51504

Data sheet	
status	Product specification
date of issue	October 1989

# WD 35727 series

## 3 x 5" Full Range Oval Loudspeaker

### APPLICATION

Full range loudspeaker for audio applications.

### DESCRIPTION

• Frame	material: plastic finish: none
• Membrane	colour: black
• Suspension	material: paper
• Dust cap	material: plastic colour: black
• Gasket	none

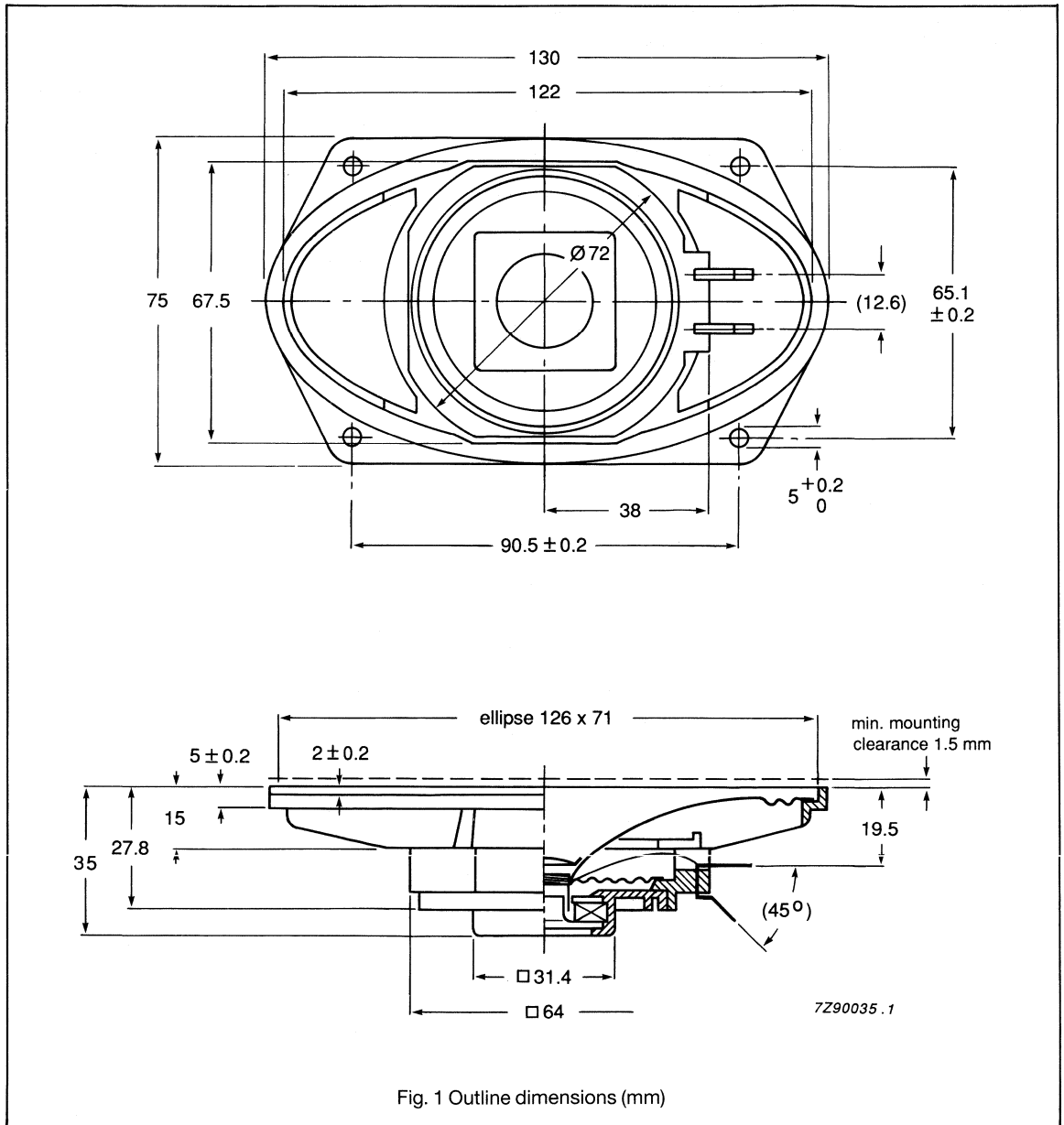
### TECHNICAL DATA

	version				unit
	X4	X8	X15	X25	
<b>Unmounted</b>					
Rated impedance	4	8	15	25	Ω
Voice coil resistance	3.6	7.2	13.5	22.5	Ω
Resonance frequency	160	160	160	160	Hz
Sweep voltage	3.16	4.47	6.12	7.9	V
Magnetic flux density	0.74	0.74	0.74	0.74	T
Loudspeaker mass	74	74	74	74	g
<b>Mounted</b>					
Characteristic sensitivity	86				dB/W/m
Maximum noise power (PHC)	5.0				W

### 3 x 5" Full Range Oval Loudspeaker

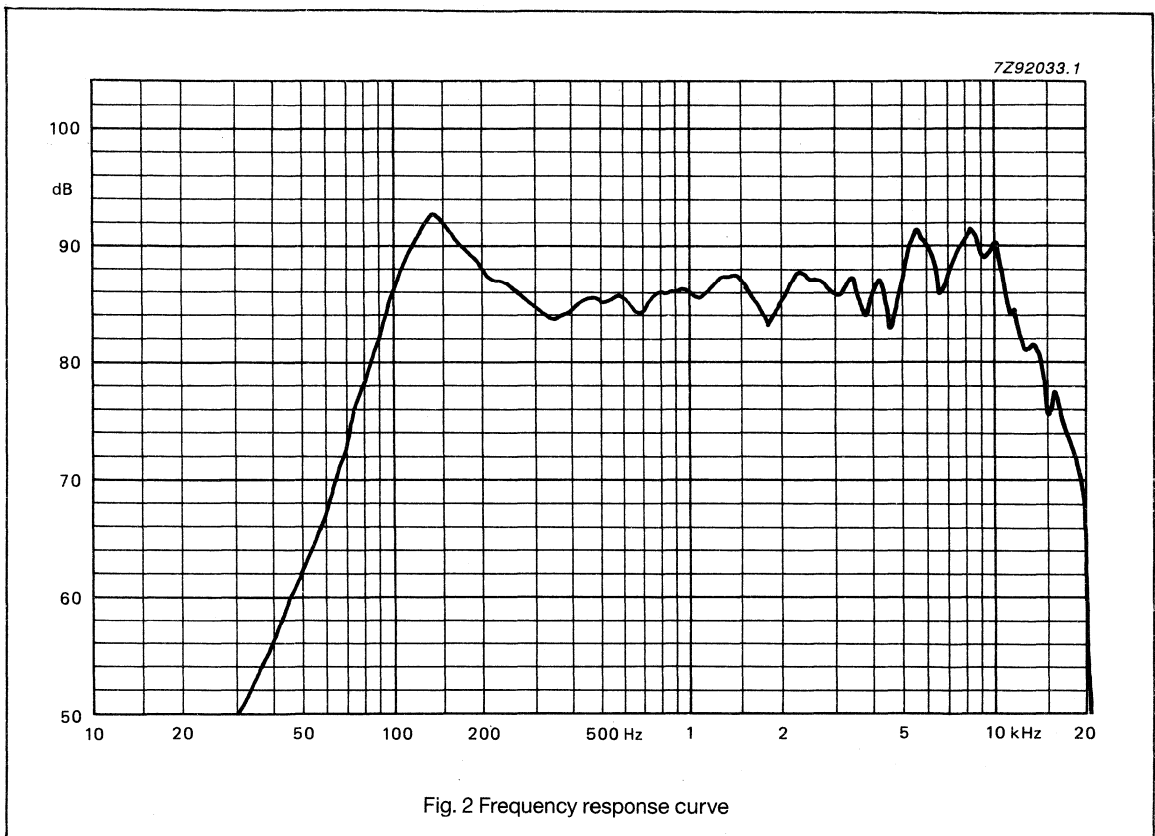
### WD 35727 series

#### MECHANICAL DATA



**3 x 5" Full Range Oval Loudspeaker****WD 35727 series****FREQUENCY RESPONSE CURVES**

Frequency response curves have been measured on an axis at a distance of 1 m with 1 W input power.



Catalogue number: 2403 251 50701  
2403 251 50702  
2403 251 50703  
2403 251 50704

**Philips Components**

Data sheet	
status	Product specification
date of issue	October 1989

# WD 35740 series

## 3 x 5" Full Range Oval Loudspeaker

**APPLICATION**

Full range loudspeaker for video applications.

**DESCRIPTION**

• Frame	material: plastic finish: none
• Membrane	colour: black
• Suspension	material: paper
• Dust cap	material: plastic colour: black
• Gasket	none

**TECHNICAL DATA**

	version				unit
	X4	X8	X15	X25	
<b>Unmounted</b>					
Rated impedance	4	8	15	25	Ω
Voice coil resistance	3.6	7.2	13.5	22.5	Ω
Resonance frequency	160	160	160	160	Hz
Sweep voltage	2.23	3.16	4.33	5.59	V
Magnetic flux density	0.74	0.74	0.74	0.74	T
Loudspeaker mass	78	78	78	78	g
<b>Mounted</b>					
Characteristic sensitivity		86			dB/W/m
Maximum noise power (PHC)		2.5			W

3 x 5" Full Range Oval Loudspeaker

WD 35740 series

MECHANICAL DATA

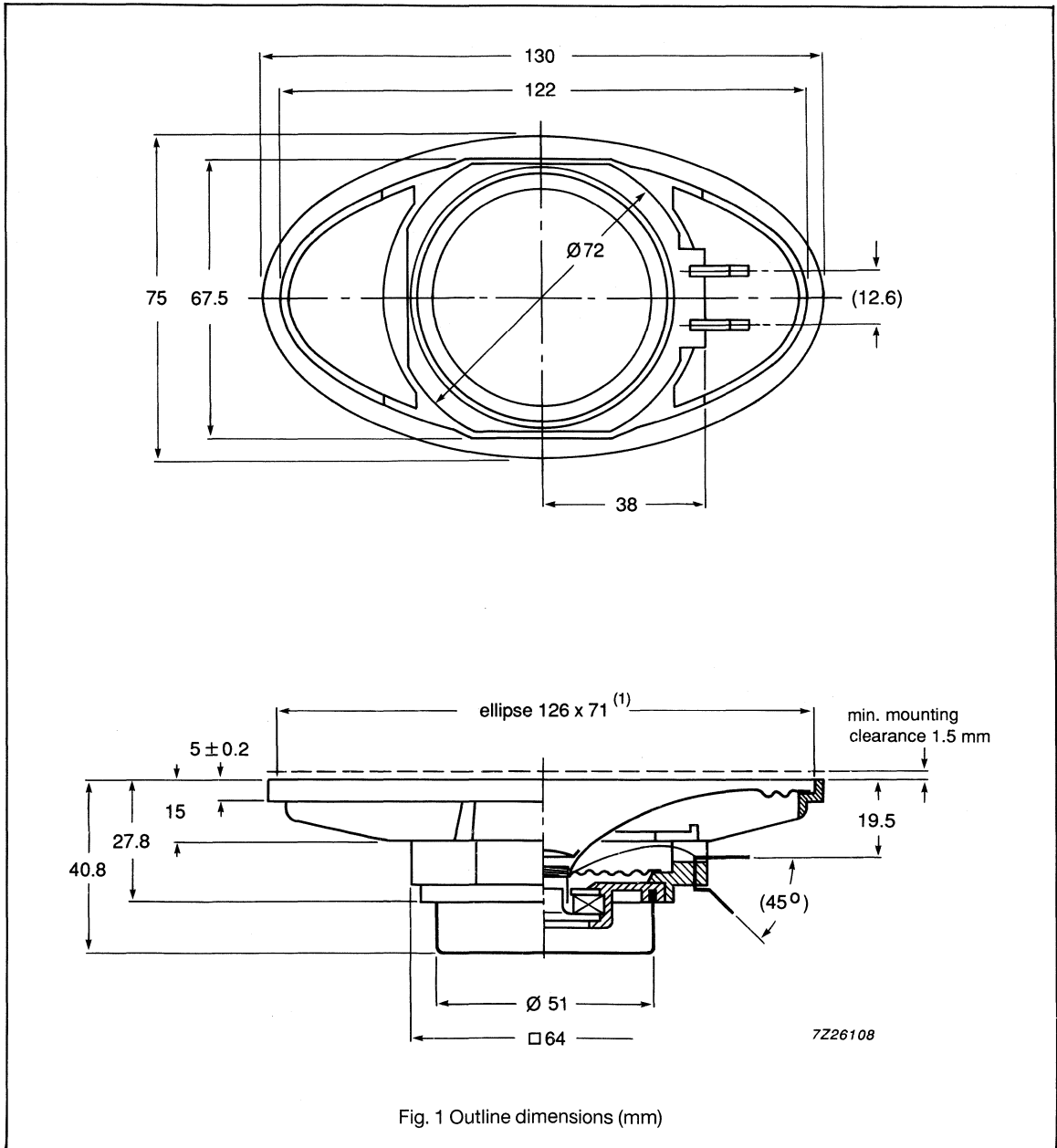


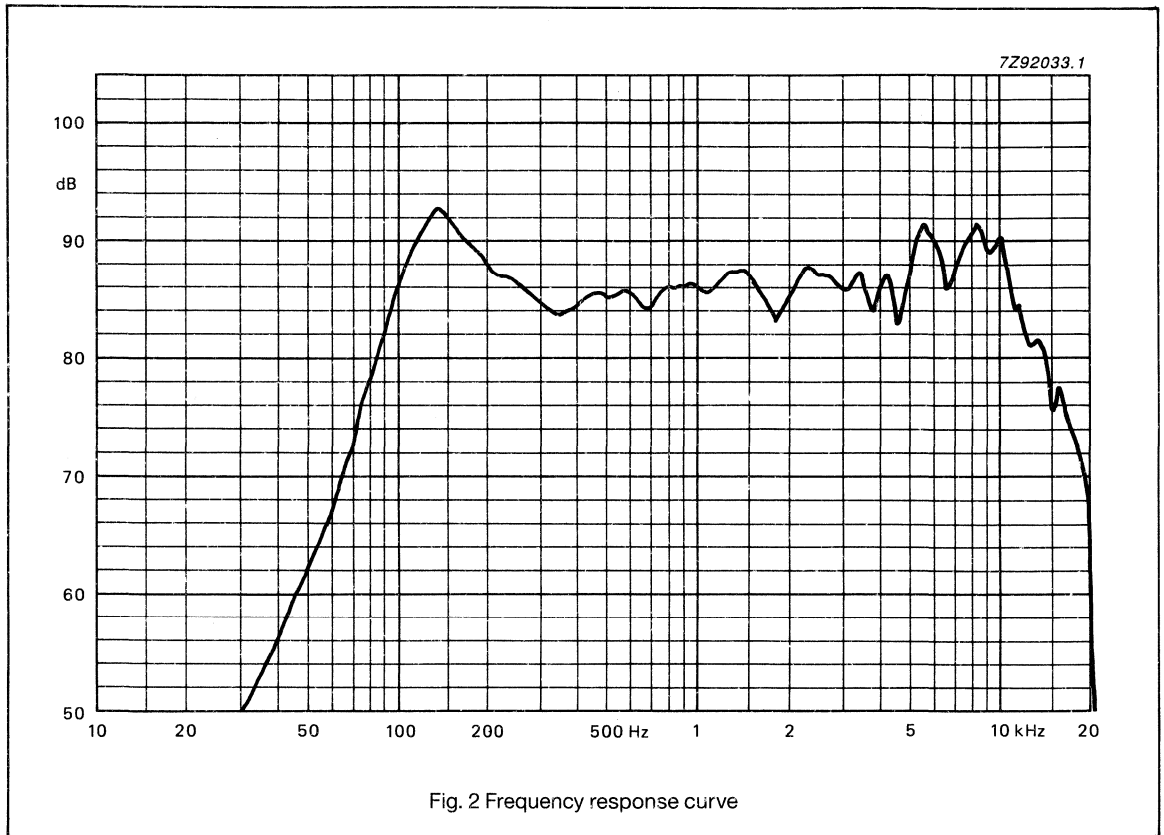
Fig. 1 Outline dimensions (mm)

# 3 x 5" Full Range Oval Loudspeaker

# WD 35740 series

## FREQUENCY RESPONSE CURVES

Frequency response curves have been measured on an axis at a distance of 1 m with 1 W input power.



- Catalogue number: 2403 251 50201
- 2403 251 50202
- 2403 251 50203
- 2403 251 50204



**Philips Components**

Data sheet	
status	Product specification
date of issue	October 1989

# WD 35741 series

## 3 x 5" Full Range Oval Loudspeaker

**APPLICATION**

Full range loudspeaker for video applications.

**DESCRIPTION**

• Frame	material: plastic finish: none
• Membrane	colour: black
• Suspension	material: paper
• Dust cap	material: plastic colour: black
• Gasket	none

**TECHNICAL DATA**

	version				unit
	X4	X8	X15	X25	
<b>Unmounted</b>					
Rated impedance	4	8	15	25	$\Omega$
Voice coil resistance	3.6	7.2	13.5	22.5	$\Omega$
Resonance frequency	160	160	160	160	Hz
Sweep voltage	2.23	3.16	4.33	5.59	V
Magnetic flux density	0.74	0.74	0.74	0.74	T
Loudspeaker mass	78	78	78	78	g
<b>Mounted</b>					
Characteristic sensitivity		86			dB/W/m
Maximum noise power (PHC)		2.5			W

### 3 x 5" Full Range Oval Loudspeaker

### WD 35741 series

#### MECHANICAL DATA

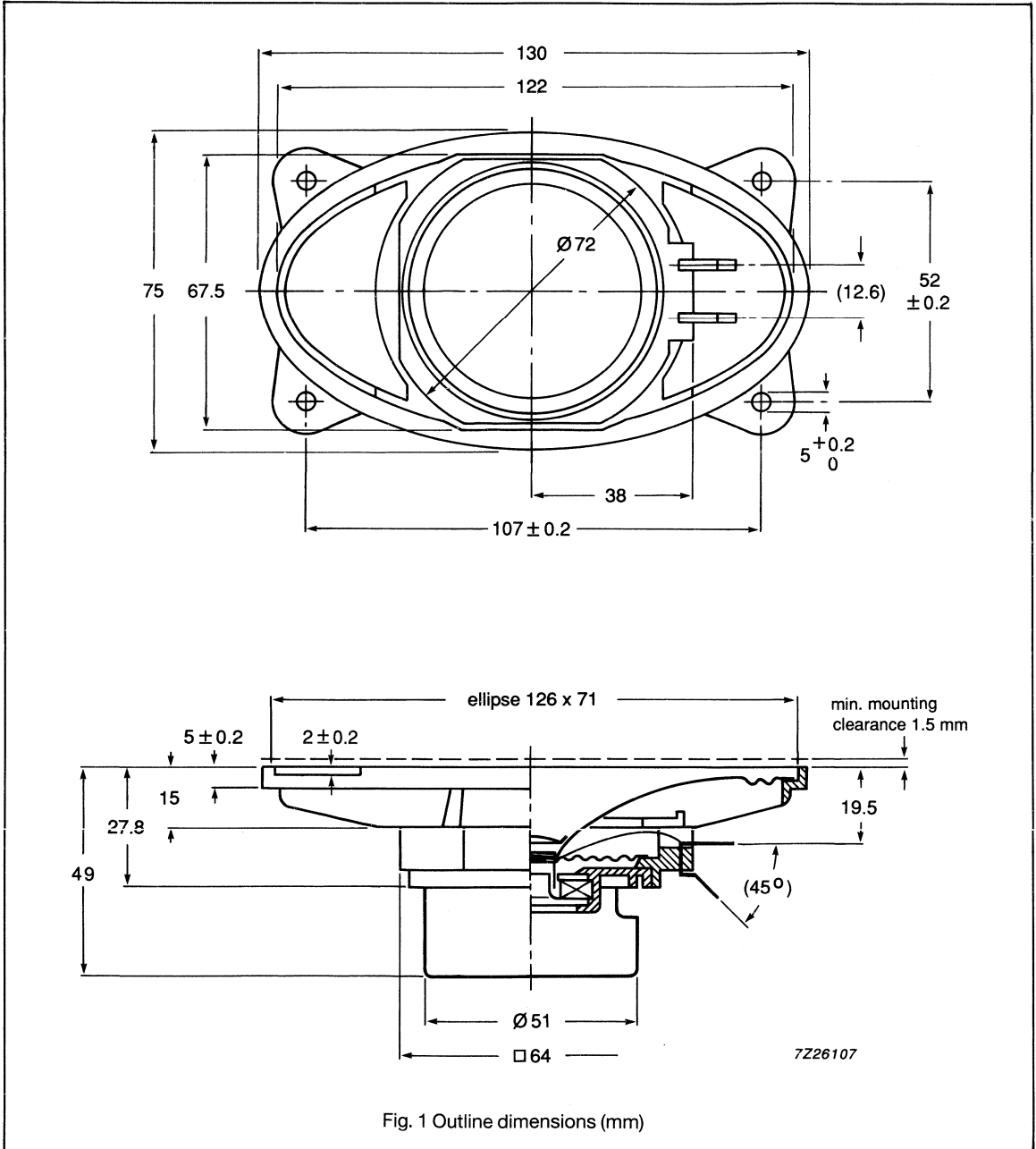
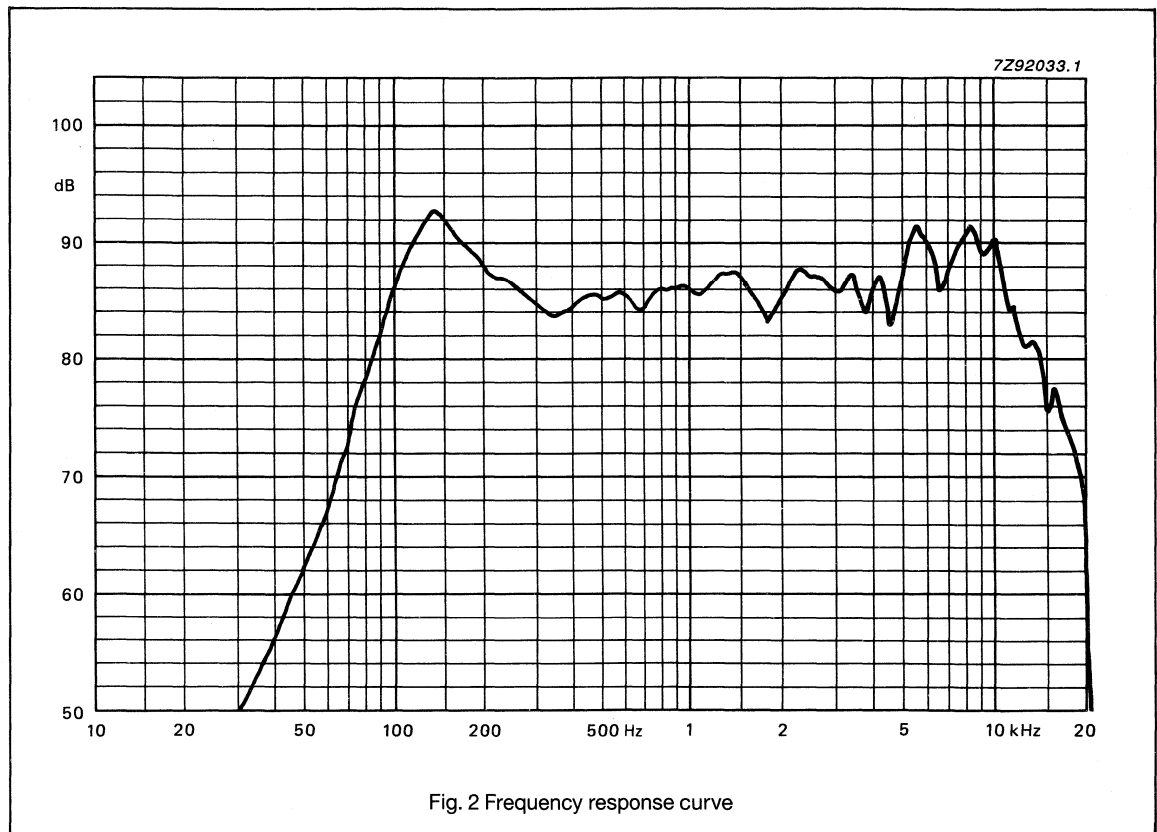


Fig. 1 Outline dimensions (mm)

**3 x 5" Full Range Oval Loudspeaker****WD 35741 series****FREQUENCY RESPONSE CURVES**

Frequency response curves have been measured on an axis at a distance of 1 m with 1 W input power.



Catalogue number: 2403 251 51301  
2403 251 51302  
2403 251 51303  
2403 251 51304

**Philips Components**

Data sheet	
status	Product specification
date of issue	October 1989

# WD 35742 series

## 3 x 5" Full Range Oval Loudspeaker

**APPLICATION**

Full range loudspeaker for video applications.

**DESCRIPTION**

• Frame	material: plastic finish: none
• Membrane	colour: black
• Suspension	material: paper
• Dust cap	material: plastic colour: black
• Gasket	none

**TECHNICAL DATA**

	version				unit
	X4	X8	X15	X25	
<b>Unmounted</b>					
Rated impedance	4	8	15	25	Ω
Voice coil resistance	3.6	7.2	13.5	22.5	Ω
Resonance frequency	160	160	160	160	Hz
Sweep voltage	2.23	3.16	4.33	5.59	V
Magnetic flux density	0.74	0.74	0.74	0.74	T
Loudspeaker mass	78	78	78	78	g
<b>Mounted</b>					
Characteristic sensitivity		86			dB/W/m
Maximum noise power (PHC)		2.5			W

3 x 5" Full Range Oval Loudspeaker

WD 35742 series

MECHANICAL DATA

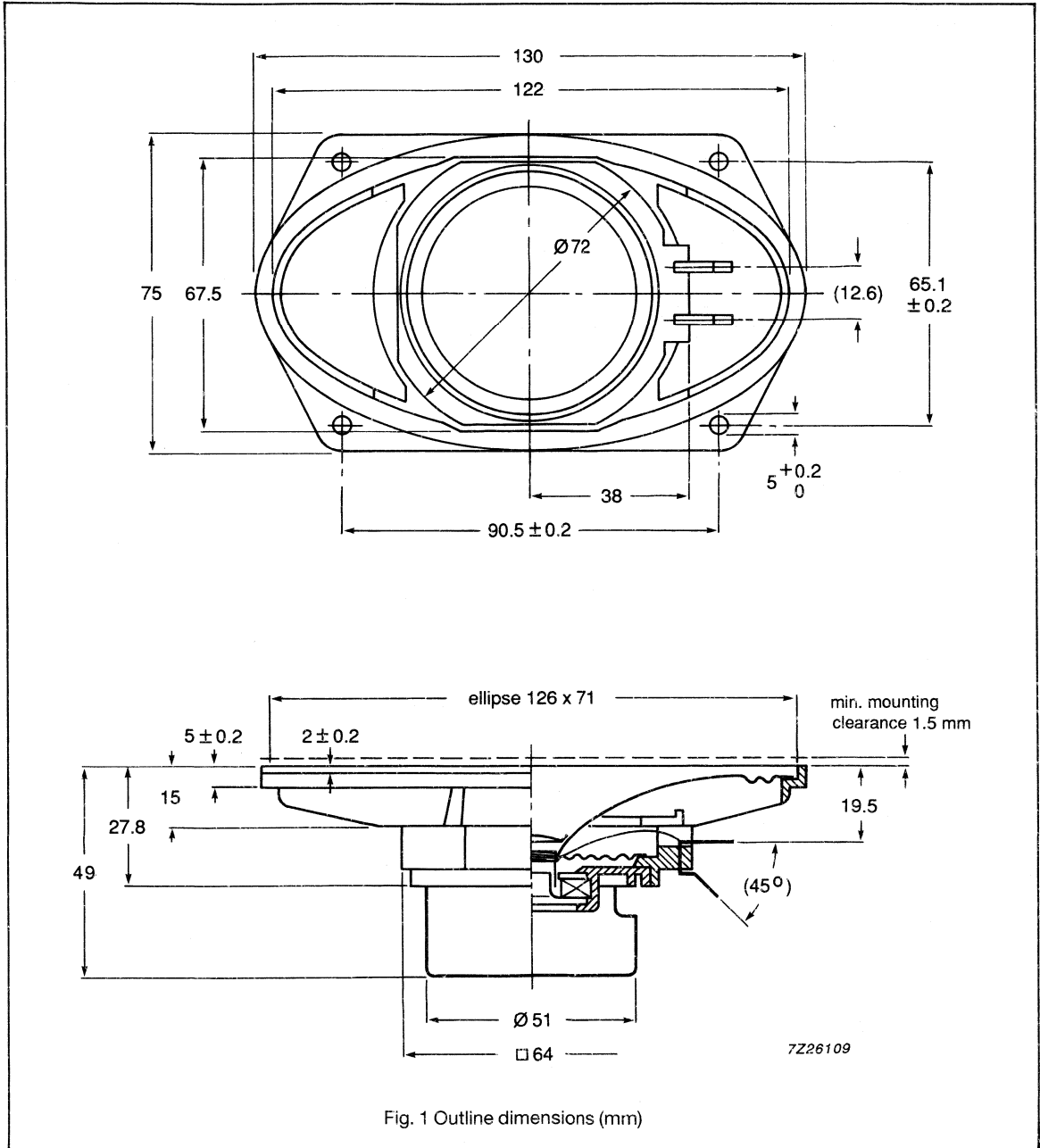


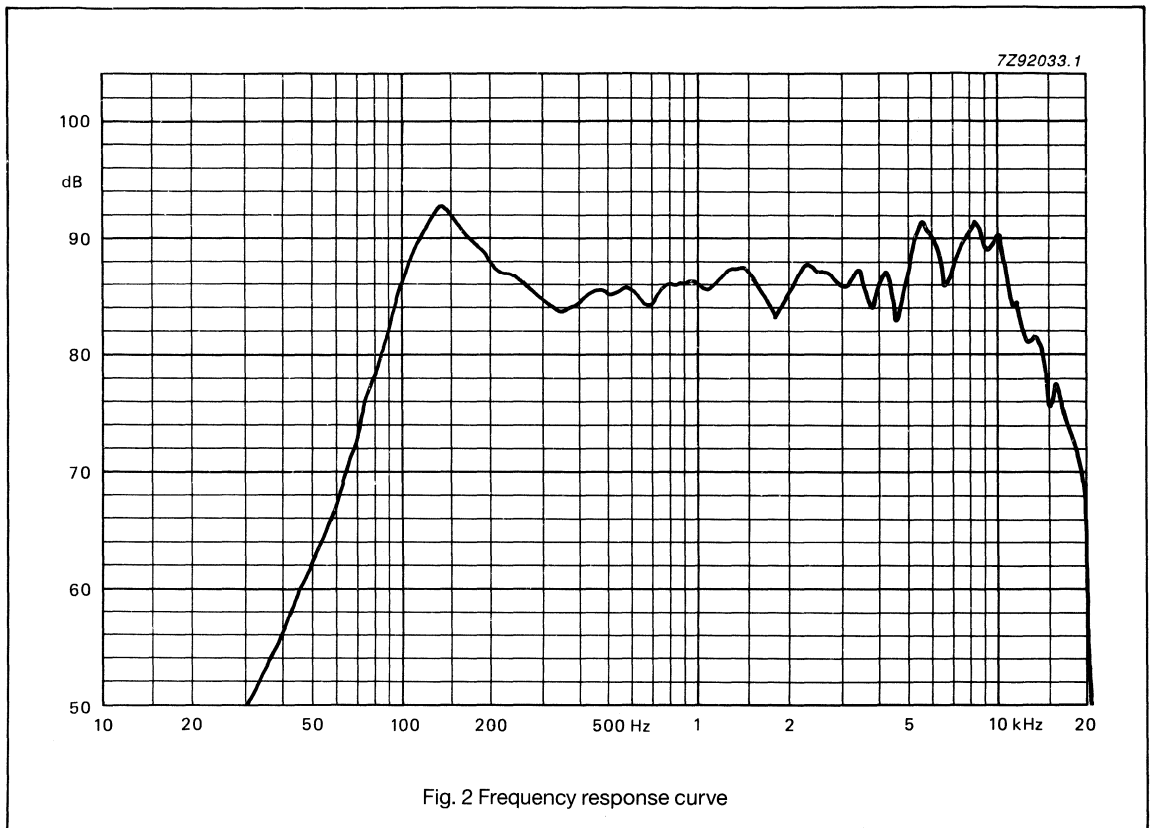
Fig. 1 Outline dimensions (mm)

**3 x 5" Full Range Oval Loudspeaker**

**WD 35742 series**

**FREQUENCY RESPONSE CURVES**

Frequency response curves have been measured on an axis at a distance of 1 m with 1 W input power.



- Catalogue number: 2403 251 50301
- 2403 251 50302
- 2403 251 50303
- 2403 251 50304

Data sheet	
status	Product specification
date of issue	October 1989

# WD 35745 series

## 3 x 5" Full Range Oval Loudspeaker

### APPLICATION

Full range loudspeaker for video applications.

### DESCRIPTION

• Frame	material: plastic finish: none
• Membrane	colour: black
• Suspension	material: paper
• Dust cap	material: plastic colour: black
• Gasket	none

### TECHNICAL DATA

	version				unit
	X4	X8	X15	X25	
<b>Unmounted</b>					
Rated impedance	4	8	15	25	Ω
Voice coil resistance	3.6	7.2	13.5	22.5	Ω
Resonance frequency	160	160	160	160	Hz
Sweep voltage	2.64	3.74	5.12	6.61	V
Magnetic flux density	0.74	0.74	0.74	0.74	T
Loudspeaker mass	78	78	78	78	g
<b>Mounted</b>					
Characteristic sensitivity		86			dB/W/m
Maximum noise power		3.5			W

3 x 5" Full Range Oval Loudspeaker

WD 35745 series

MECHANICAL DATA

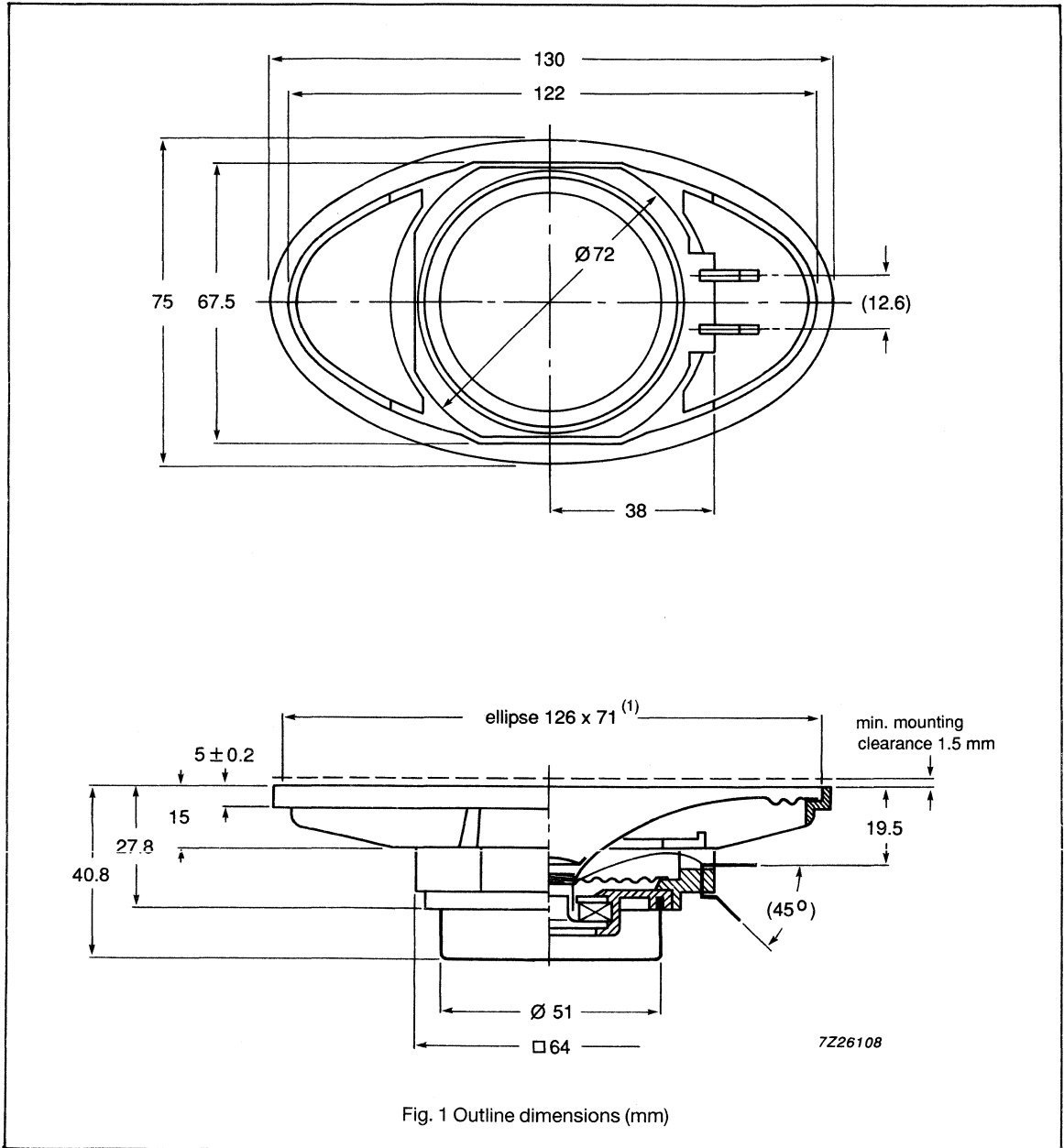
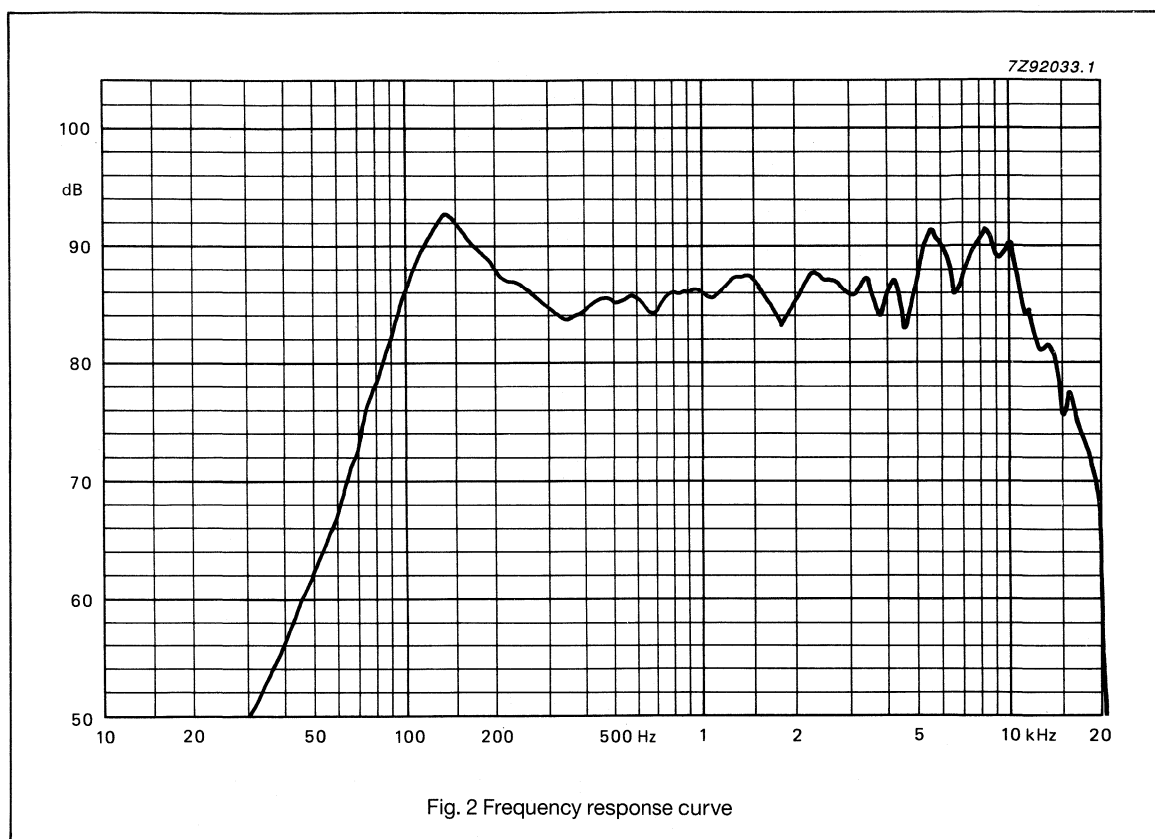


Fig. 1 Outline dimensions (mm)



**3 x 5" Full Range Oval Loudspeaker****WD 35745 series****FREQUENCY RESPONSE CURVES**

Frequency response curves have been measured on an axis at a distance of 1 m with 1 W input power.



Catalogue number: 2403 251 50801  
2403 251 50802  
2403 251 50803  
2403 251 50804

**Philips Components**

Data sheet	
status	Product specification
date of issue	November 1989

# WD 35746 series

## 3 x 5" Full Range Oval Loudspeaker

**APPLICATION**

Full range loudspeaker for video applications.

**DESCRIPTION**

• Frame	material: plastic finish: none
• Membrane	colour: black
• Suspension	material: paper
• Dust cap	material: plastic colour: black
• Gasket	none

**TECHNICAL DATA**

	version				unit
	X4	X8	X15	X25	
<b>Unmounted</b>					
Rated impedance	4	8	15	25	$\Omega$
Voice coil resistance	3.6	7.2	13.5	22.5	$\Omega$
Resonance frequency	160	160	160	160	Hz
Sweep voltage	2.64	3.74	5.12	6.61	V
Magnetic flux density	0.74	0.74	0.74	0.74	T
Loudspeaker mass	78	78	78	78	g
<b>Mounted</b>					
Characteristic sensitivity		86			dB/W/m
Maximum noise power (PHC)		3.5			W

3 x 5" Full Range Oval Loudspeaker

WD 35746 series

MECHANICAL DATA

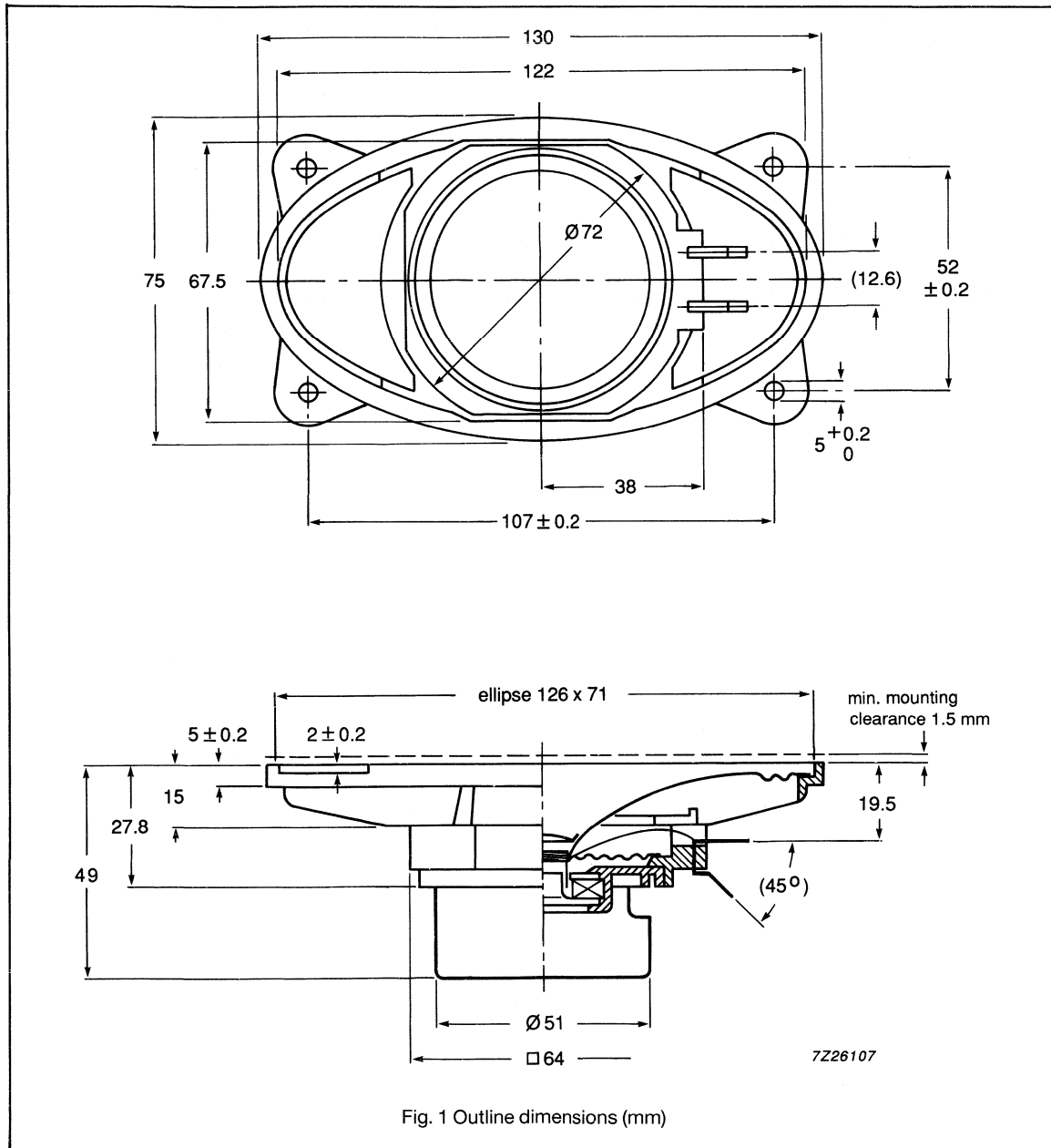
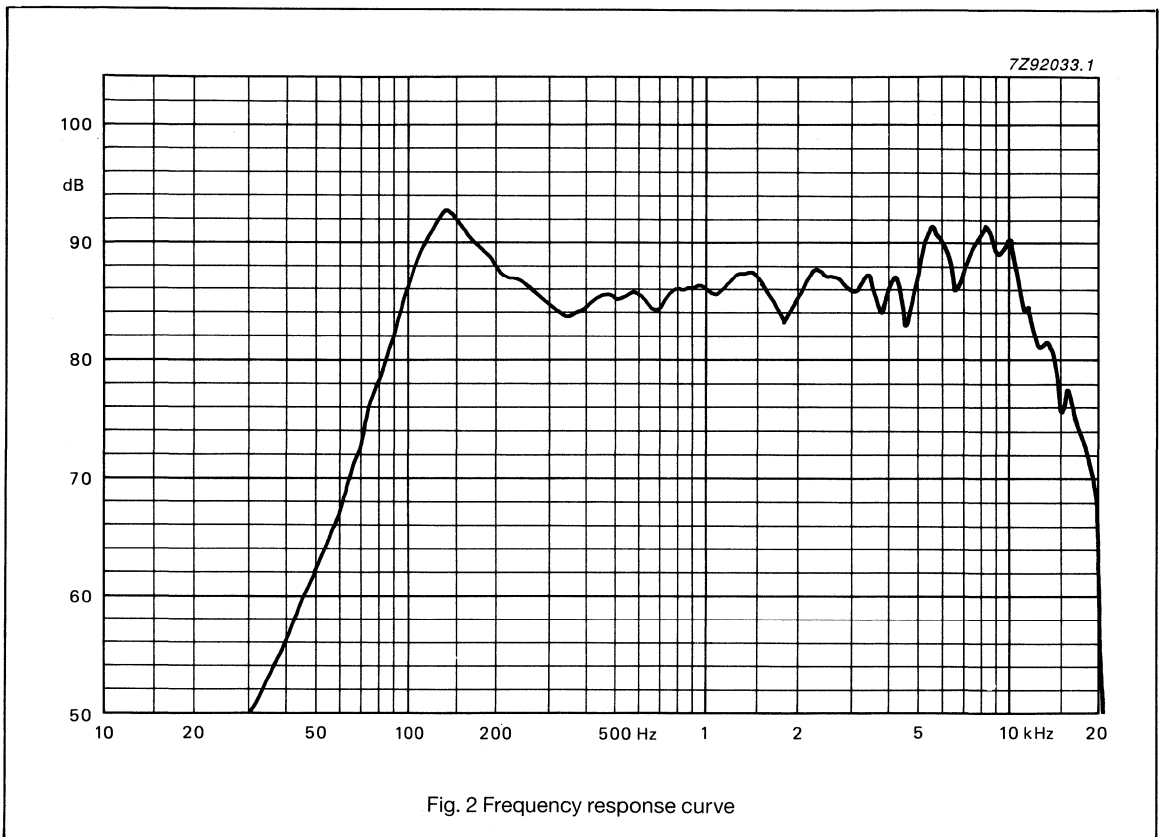


Fig. 1 Outline dimensions (mm)

**3 x 5" Full Range Oval Loudspeaker****WD 35746 series****FREQUENCY RESPONSE CURVES**

Frequency response curves have been measured on an axis at a distance of 1 m with 1 W input power.



Catalogue number: 2403 251 51601  
2403 251 51602  
2403 251 51603  
2403 251 51604

Data sheet	
status	Product specification
date of issue	October 1989

# WD 35747 series

## 3 x 5" Full Range Oval Loudspeaker

### APPLICATION

Full range loudspeaker for video applications.

### DESCRIPTION

• Frame	material: plastic finish: none
• Membrane	colour: black
• Suspension	material: paper
• Dust cap	material: plastic colour: black
• Gasket	none

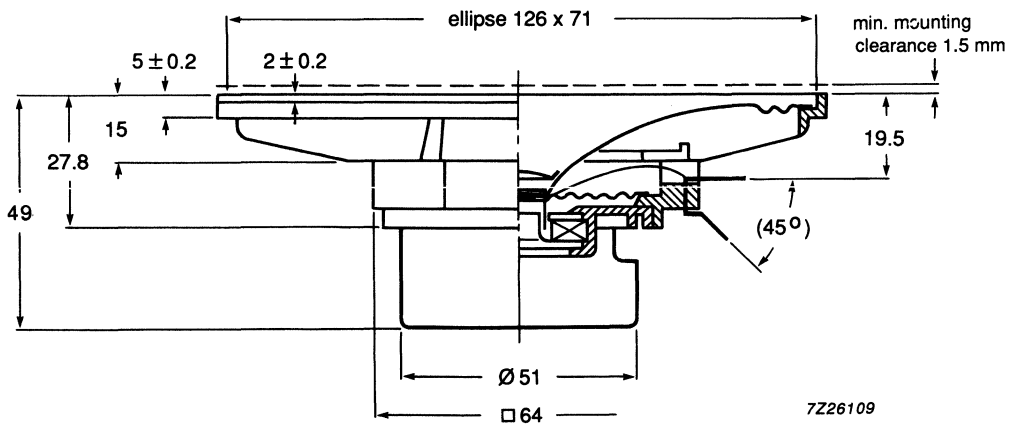
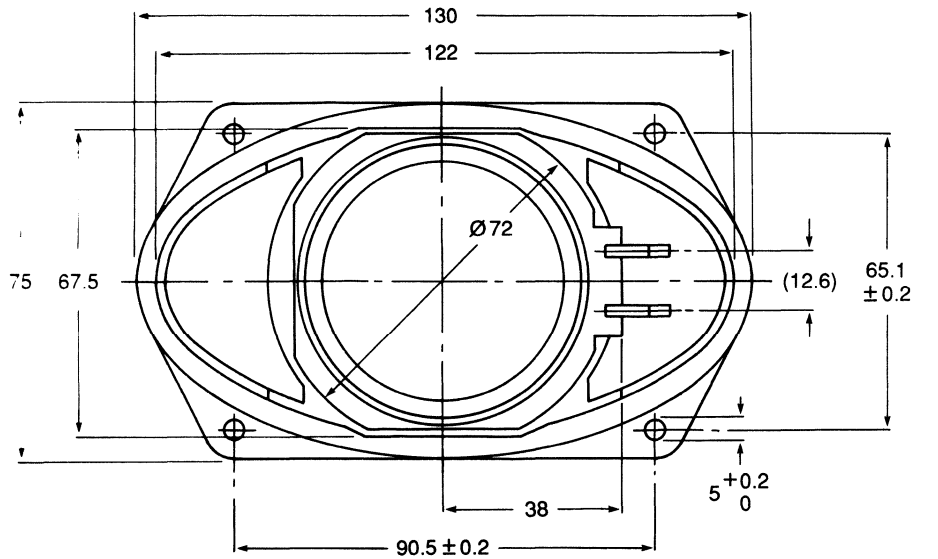
### TECHNICAL DATA

	version				unit
	X4	X8	X15	X25	
<b>Unmounted</b>					
Rated impedance	4	8	15	25	Ω
Voice coil resistance	3.6	7.2	13.5	22.5	Ω
Resonance frequency	160	160	160	160	Hz
Sweep voltage	2.64	3.74	5.12	6.61	V
Magnetic flux density	0.74	0.74	0.74	0.74	T
Loudspeaker mass	78	78	78	78	g
<b>Mounted</b>					
Characteristic sensitivity		86		dB/W/m	
Maximum noise power (PHC)		3.5		W	

3 x 5" Full Range Oval Loudspeaker

WD 35747 series

MECHANICAL DATA

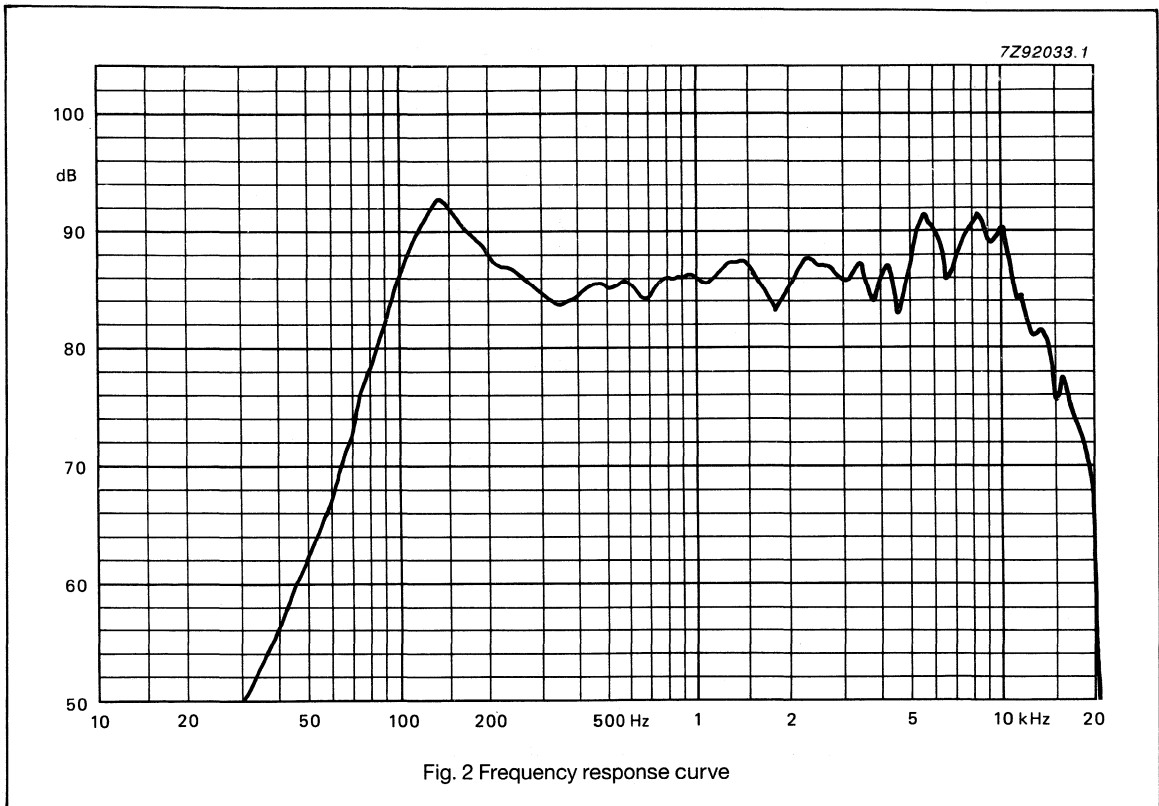


7Z26109

Fig. 1 Outline dimensions (mm)

**3 x 5" Full Range Oval Loudspeaker****WD 35747 series****FREQUENCY RESPONSE CURVES**

Frequency response curves have been measured on an axis at a distance of 1 m with 1 W input power.



Catalogue number: 2403 251 50901  
2403 251 50902  
2403 251 50903  
2403 251 50904

**Philips Components**

<b>Data sheet</b>	
<b>status</b>	Product specification
<b>date of issue</b>	October 1989

# WD 35760 series

## 3 x 5" Full Range Oval Loudspeaker

**APPLICATION**

Full range loudspeaker for video applications.

**DESCRIPTION**

• Frame	material: plastic finish: none
• Membrane	colour: black
• Suspension	material: paper
• Dust cap	material: plastic colour: black
• Gasket	none

**TECHNICAL DATA**

	version				unit	
	X4	X8	X15	X25		
<b>Unmounted</b>						
Rated impedance	4	8	15	25	Ω	
Voice coil resistance	3.6	7.2	13.5	22.5	Ω	
Resonance frequency	160	160	160	160	Hz	
Sweep voltage	2.23	3.16	4.33	5.59	V	
Magnetic flux density	0.74	0.74	0.74	0.74	T	
Loudspeaker mass	90	90	90	90	g	
<b>Mounted</b>						
Characteristic sensitivity					86	dB/W/m
Maximum noise power (PHC)					2.5	W



3 x 5" Full Range Oval Loudspeaker

WD 35760 series

MECHANICAL DATA

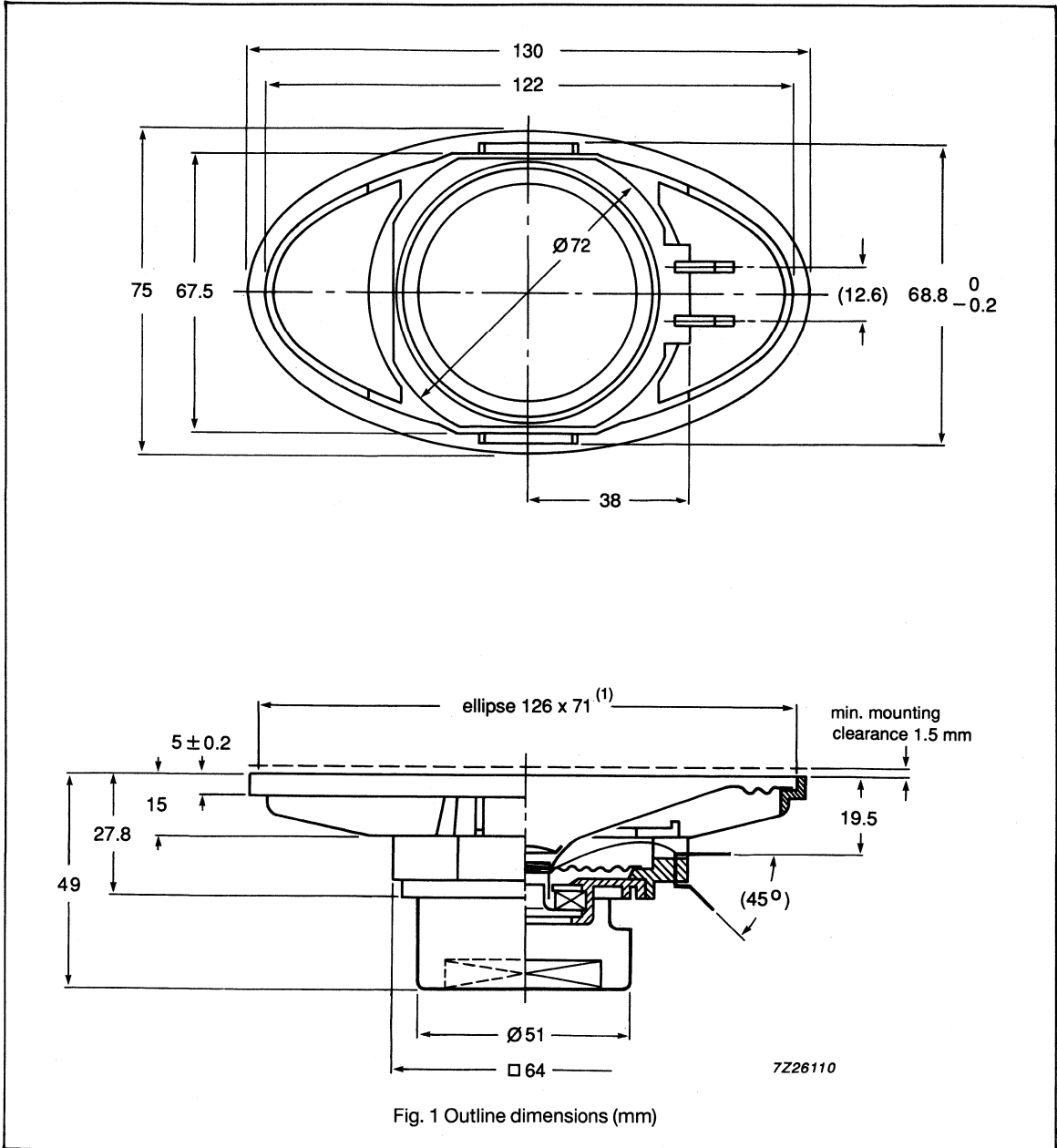
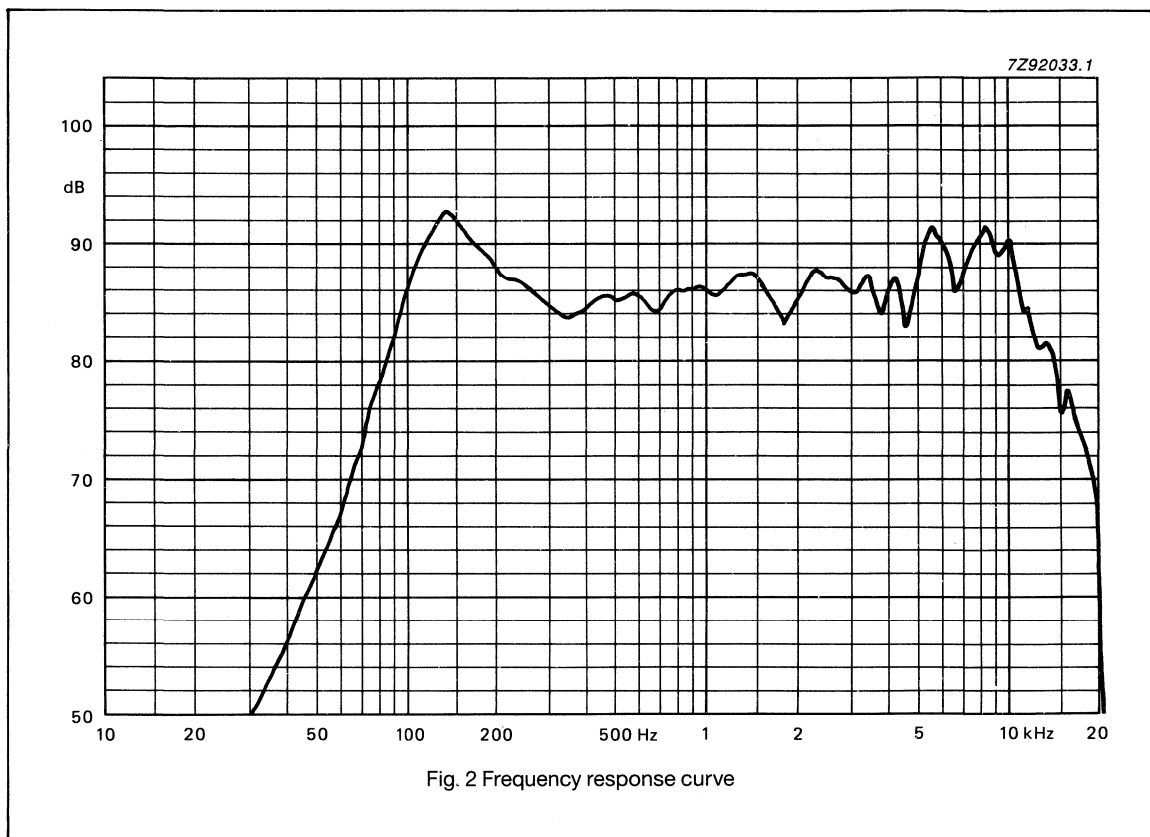


Fig. 1 Outline dimensions (mm)

**3 x 5" Full Range Oval Loudspeaker****WD 35760 series****FREQUENCY RESPONSE CURVES**

Frequency response curves have been measured on an axis at a distance of 1 m with 1 W input power.



Catalogue number: 2403 251 50401  
2403 251 50402  
2403 251 50403  
2403 251 50404

**Philips Components**

Data sheet	
status	Product specification
date of issue	October 1989

# WD 35761 series

## 3 x 5" Full Range Oval Loudspeaker

**APPLICATION**

Full range loudspeaker for video applications.

**DESCRIPTION**

• Frame	material: plastic finish: none
• Membrane	colour: black
• Suspension	material: paper
• Dust cap	material: plastic colour: black
• Gasket	none

**TECHNICAL DATA**

	version				unit
	X4	X8	X15	X25	
<b>Unmounted</b>					
Rated impedance	4	8	15	25	$\Omega$
Voice coil resistance	3.6	7.2	13.5	22.5	$\Omega$
Resonance frequency	160	160	160	160	Hz
Sweep voltage	2.23	3.16	4.33	5.59	V
Magnetic flux density	0.74	0.74	0.74	0.74	T
Loudspeaker mass	78	78	78	78	g
<b>Mounted</b>					
Characteristic sensitivity		86			dB/W/m
Maximum noise power (PHC)		2.5			W

**3 x 5" Full Range Oval Loudspeaker**

**WD 35761 series**

**MECHANICAL DATA**

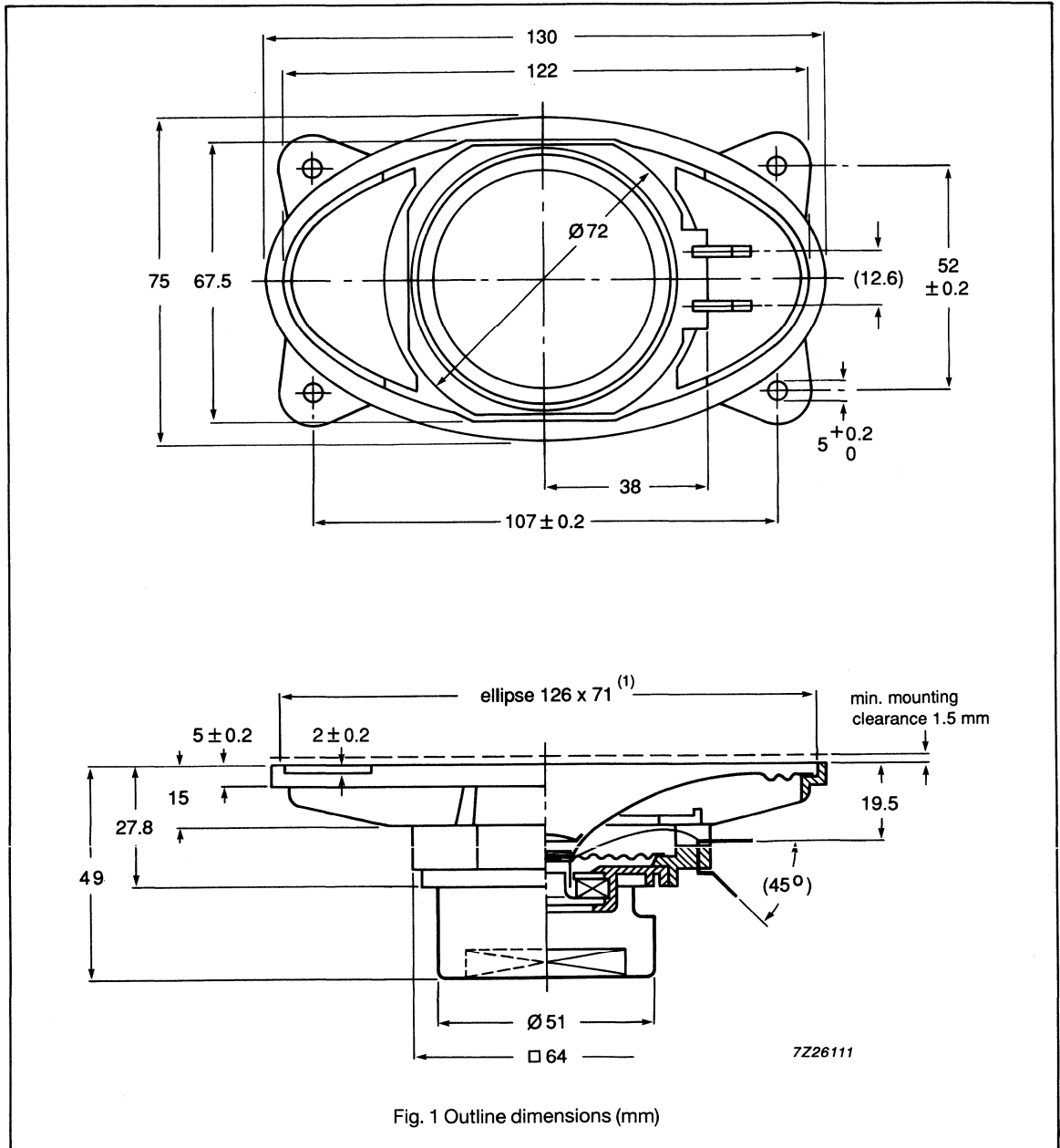
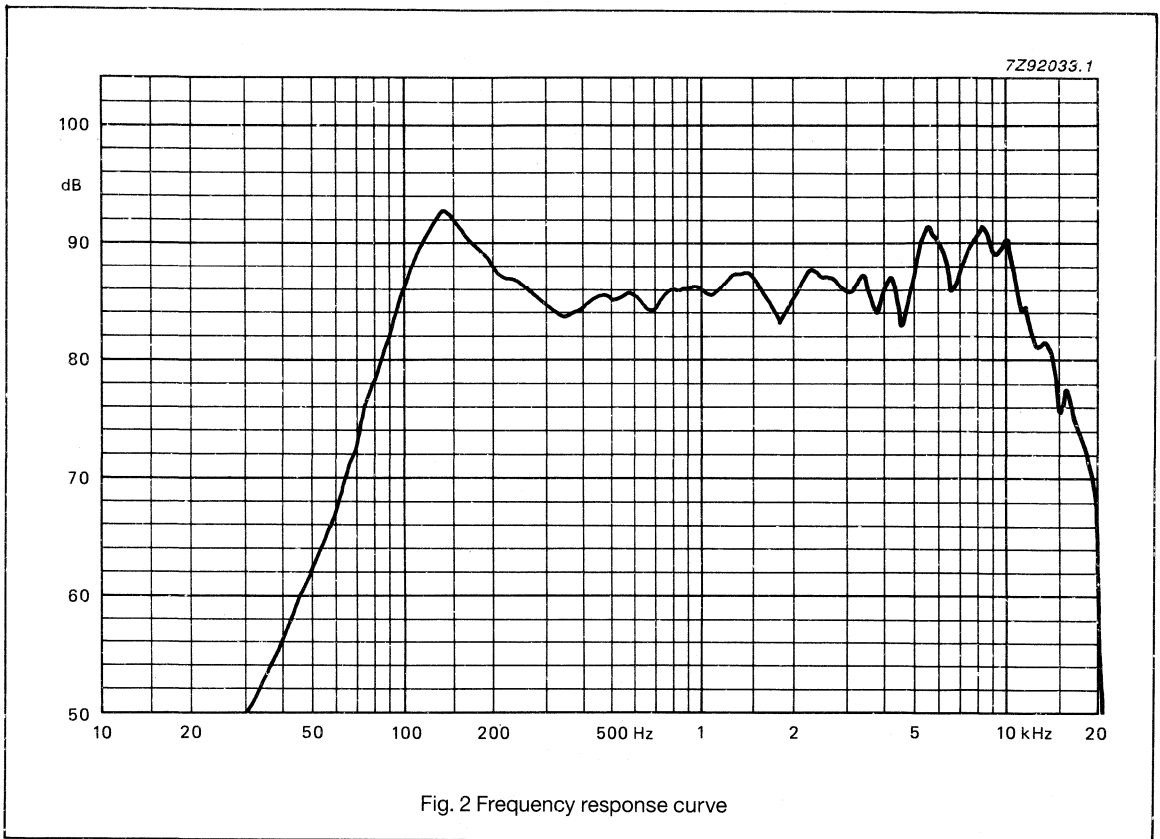


Fig. 1 Outline dimensions (mm)

**3 x 5" Full Range Oval Loudspeaker****WD 35761 series****FREQUENCY RESPONSE CURVES**

Frequency response curves have been measured on an axis at a distance of 1 m with 1 W input power.



Catalogue number: 2403 251 51401  
2403 251 51402  
2403 251 51403  
2403 251 51404

**Philips Components**

Data sheet	
status	Product specification
date of issue	October 1989

# WD 35762 series

## 3 x 5" Full Range Oval Loudspeaker

**APPLICATION**

Full range loudspeaker for video applications.

**DESCRIPTION**

- Frame material: plastic  
finish: none

---

- Membrane colour: black

---

- Suspension material: paper

---

- Dust cap material: plastic  
colour: black

---

- Gasket none

**TECHNICAL DATA**

	version				unit
	X4	X8	X15	X25	
<b>Unmounted</b>					
Rated impedance	4	8	15	25	Ω
Voice coil resistance	3.6	7.2	13.5	22.5	Ω
Resonance frequency	160	160	160	160	Hz
Sweep voltage	2.23	3.16	4.33	5.59	V
Magnetic flux density	0.74	0.74	0.74	0.74	T
Loudspeaker mass	78	78	78	78	g
<b>Mounted</b>					
Characteristic sensitivity		86			dB/W/m
Maximum noise power (PHC)		2.5			W

3 x 5" Full Range Oval Loudspeaker

WD 35762 series

MECHANICAL DATA

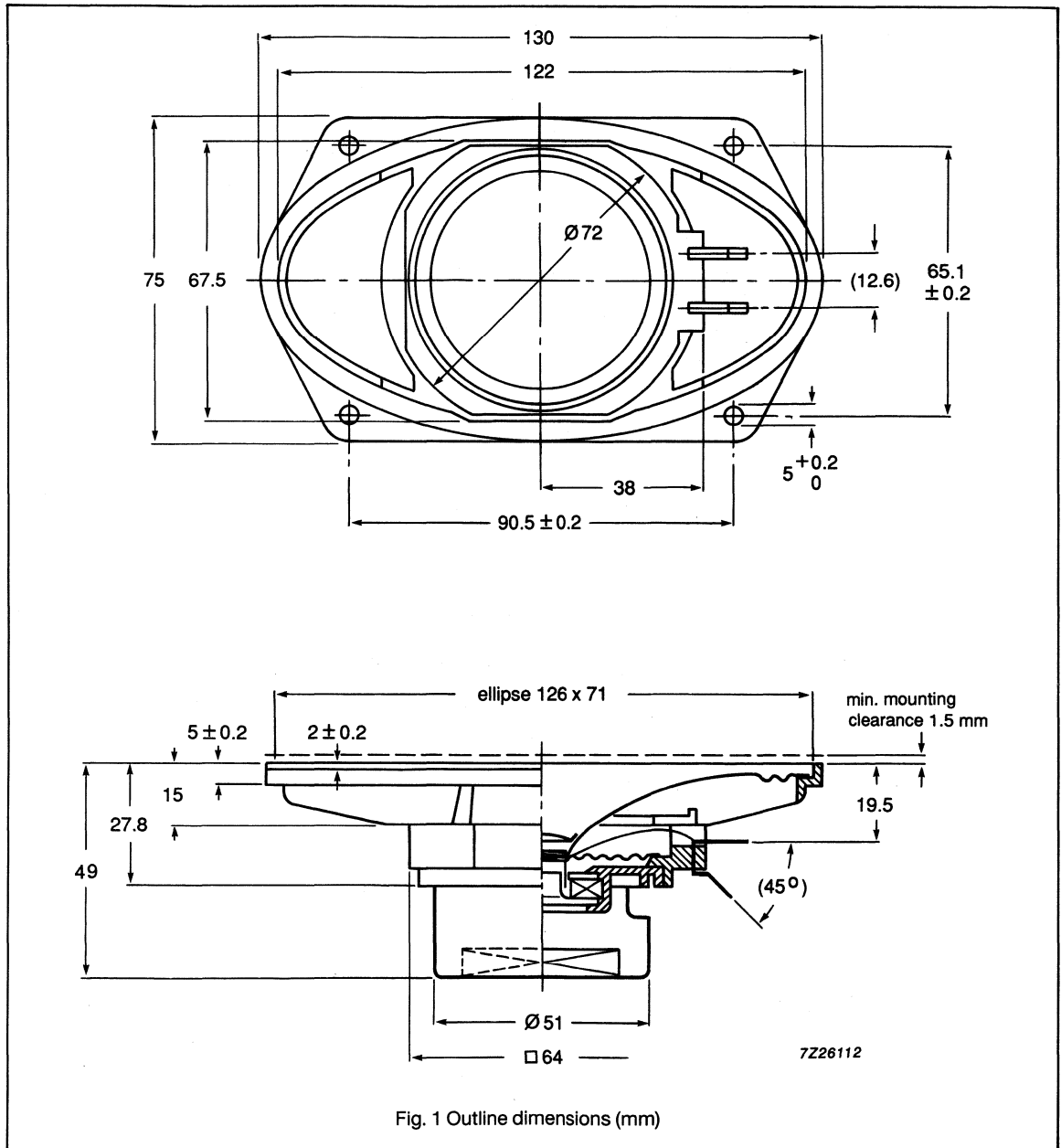
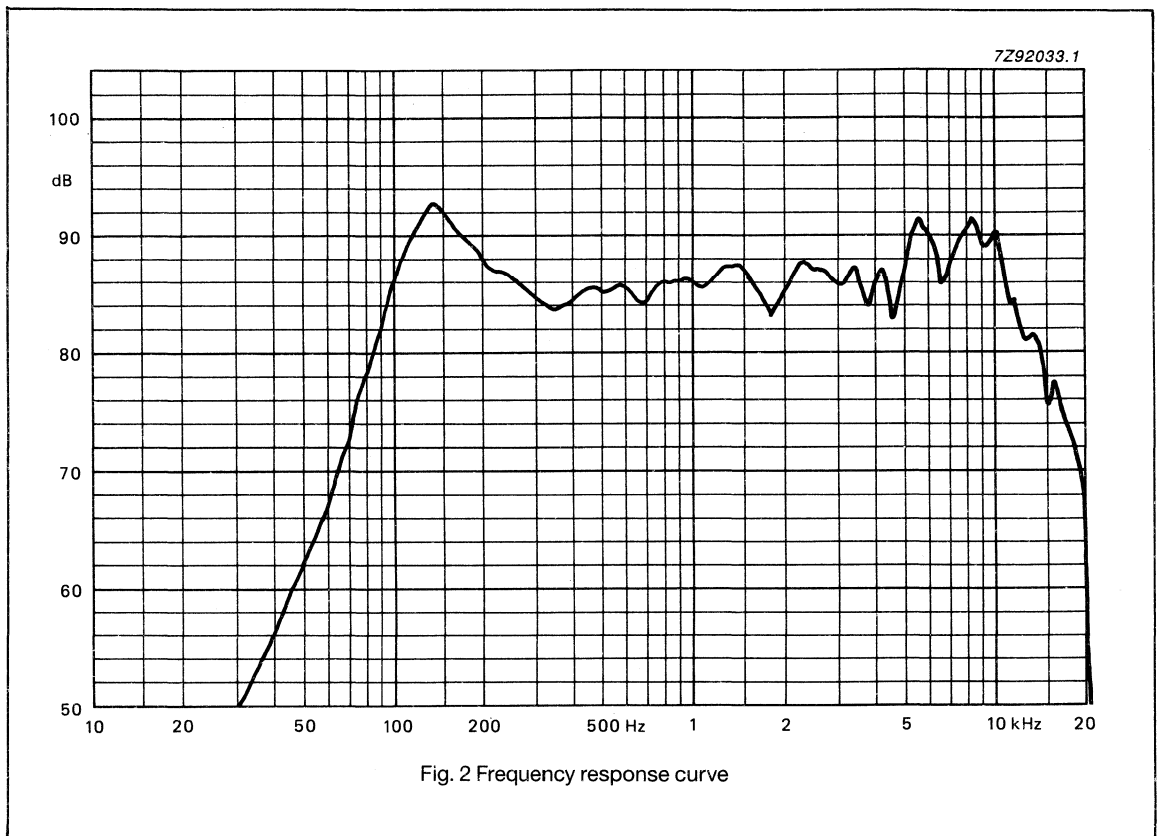


Fig. 1 Outline dimensions (mm)

**3 x 5" Full Range Oval Loudspeaker****WD 35762 series****FREQUENCY RESPONSE CURVES**

Frequency response curves have been measured on an axis at a distance of 1 m with 1 W input power.



Catalogue number: 2403 251 50501  
2403 251 50502  
2403 251 50503  
2403 251 50504



# WD 35765 series

## 3 x 5" Full Range Oval Loudspeaker

Data sheet	
status	Product specification
date of issue	October 1989

**APPLICATION**

Full range loudspeaker for video applications.

**DESCRIPTION**

• Frame	material: plastic finish: none
• Membrane	colour: black
• Suspension	material: paper
• Dust cap	material: plastic colour: black
• Gasket	none

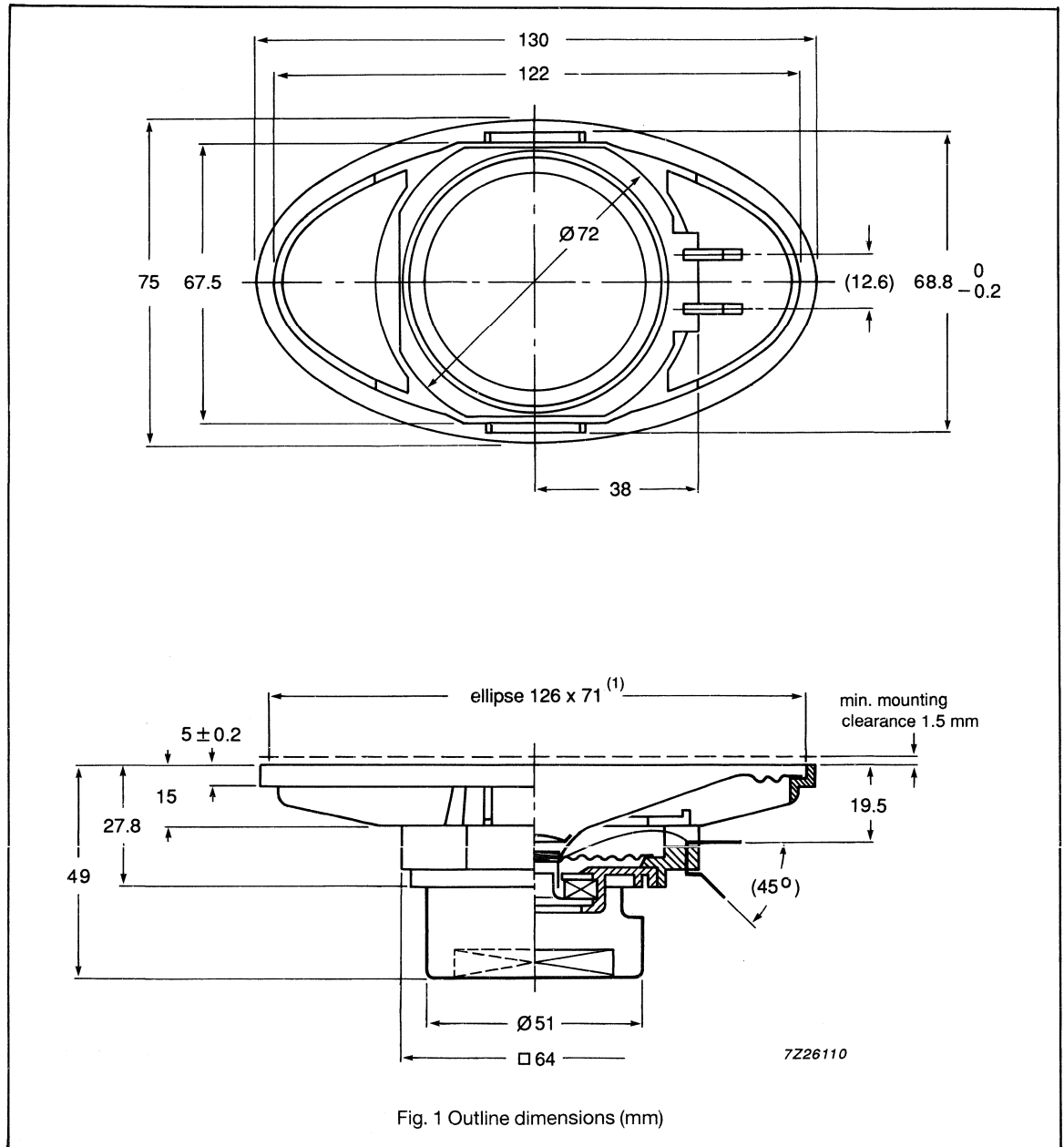
**TECHNICAL DATA**

	version				unit
	X4	X8	X15	X25	
<b>Unmounted</b>					
Rated impedance	4	8	15	25	Ω
Voice coil resistance	3.6	7.2	13.5	22.5	Ω
Resonance frequency	160	160	160	160	Hz
Sweep voltage	2.64	3.74	5.12	6.61	V
Magnetic flux density	0.74	0.74	0.74	0.74	T
Loudspeaker mass	90	90	90	90	g
<b>Mounted</b>					
Characteristic sensitivity	86				dB/W/m
Maximum noise power (PHC)	3.5				W

3 x 5" Full Range Oval Loudspeaker

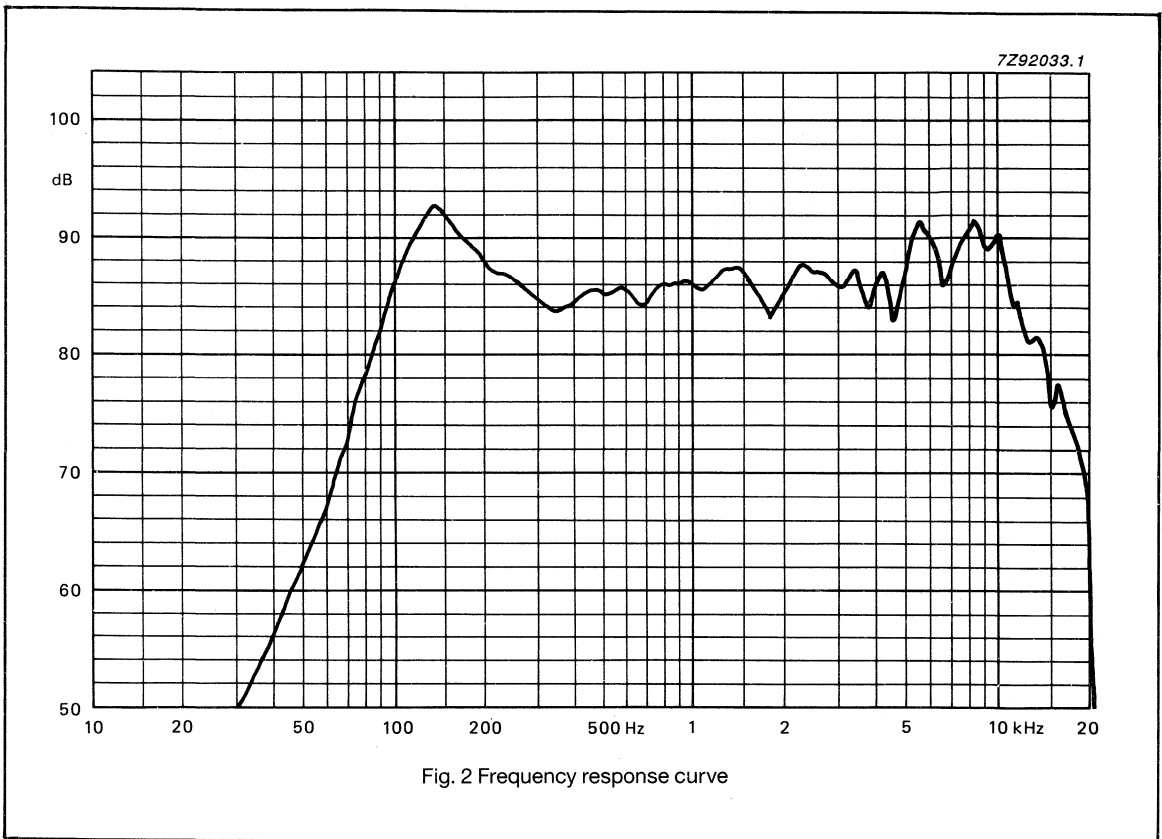
WD 35765 series

MECHANICAL DATA



**3 x 5" Full Range Oval Loudspeaker****WD 35765 series****FREQUENCY RESPONSE CURVES**

Frequency response curves have been measured on an axis at a distance of 1 m with 1 W input power.



Catalogue number: 2403 251 51001  
2403 251 51002  
2403 251 51003  
2403 251 51004

**Philips Components**

Data sheet	
status	Product specification
date of issue	October 1989

# WD 35766 series

## 3 x 5" Full Range Oval Loudspeaker

**APPLICATION**

Full range loudspeaker for video applications.

**DESCRIPTION**

- |              |                                    |
|--------------|------------------------------------|
| • Frame      | material: plastic<br>finish: none  |
| • Membrane   | colour: black                      |
| • Suspension | material: paper                    |
| • Dust cap   | material: plastic<br>colour: black |
| • Gasket     | none                               |

**TECHNICAL DATA**

	version				unit
	X4	X8	X15	X25	
<b>Unmounted</b>					
Rated impedance	4	8	15	25	Ω
Voice coil resistance	3.6	7.2	13.5	22.5	Ω
Resonance frequency	160	160	160	160	Hz
Sweep voltage	2.64	3.74	5.12	6.61	V
Magnetic flux density	0.74	0.74	0.74	0.74	T
Loudspeaker mass	90	90	90	90	g
<b>Mounted</b>					
Characteristic sensitivity		86			dB/W/m
Maximum noise power (PHC)		3.5			W

3 x 5" Full Range Oval Loudspeaker

WD 35766 series

MECHANICAL DATA

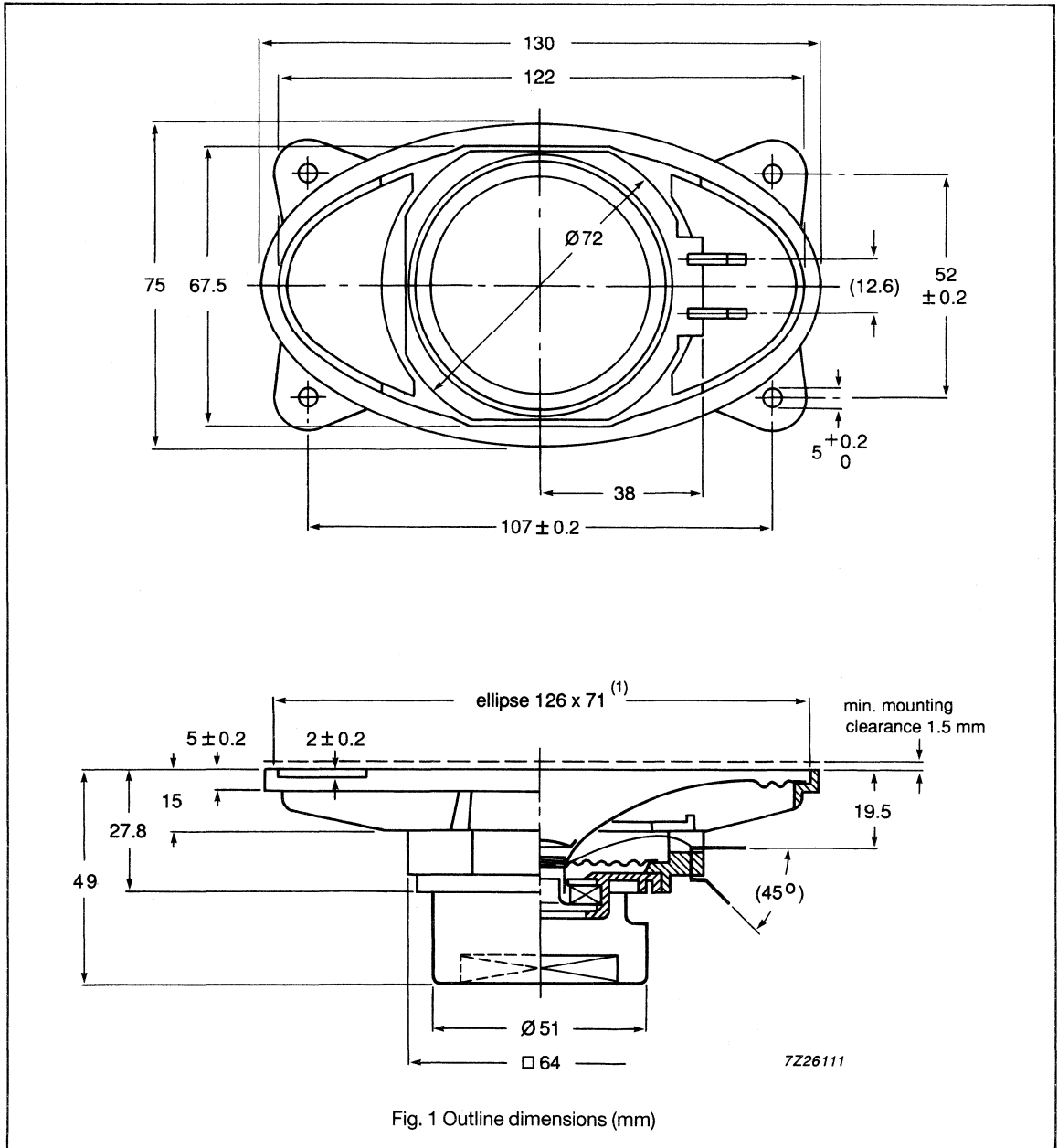


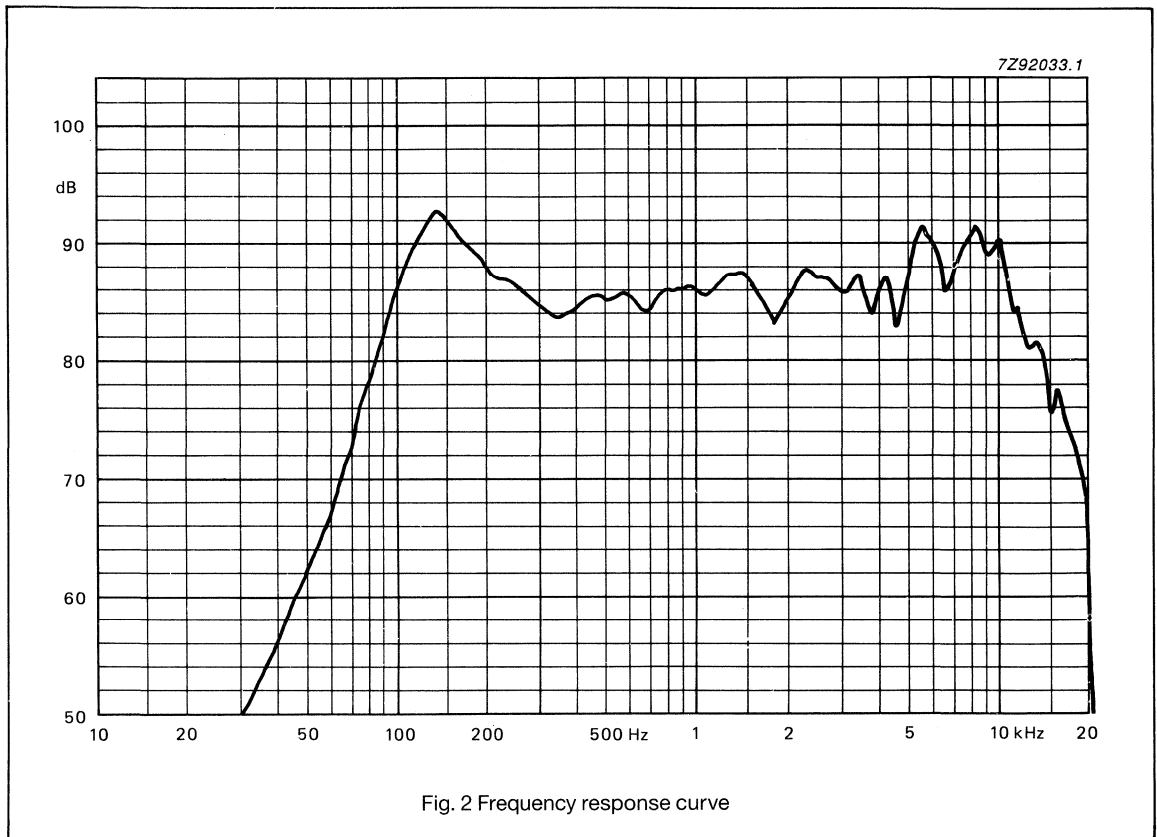
Fig. 1 Outline dimensions (mm)

**3 x 5" Full Range Oval Loudspeaker**

**WD 35766 series**

**FREQUENCY RESPONSE CURVES**

Frequency response curves have been measured on an axis at a distance of 1 m with 1 W input power.



- Catalogue number: 2403 251 51701
- 2403 251 51702
- 2403 251 51703
- 2403 251 51704

<b>Data sheet</b>	
<b>status</b>	Product specification
<b>date of issue</b>	October 1989

# WD 35767 series

## 3 x 5" Full Range Oval Loudspeaker

**APPLICATION**

Full range loudspeaker for video applications.

**DESCRIPTION**

• Frame	material: plastic finish: none
• Membrane	colour: black
• Suspension	material: paper
• Dust cap	material: plastic colour: black
• Gasket	none

**TECHNICAL DATA**

	version				unit	
	X4	X8	X15	X25		
<b>Unmounted</b>						
Rated impedance	4	8	15	25	Ω	
Voice coil resistance	3.6	7.2	13.5	22.5	Ω	
Resonance frequency	160	160	160	160	Hz	
Sweep voltage	2.64	3.74	5.12	6.61	V	
Magnetic flux density	0.74	0.74	0.74	0.74	T	
Loudspeaker mass	90	90	90	90	g	
<b>Mounted</b>						
Characteristic sensitivity					86	dB/W/m
Maximum noise power (PHC)					3.5	W

3 x 5" Full Range Oval Loudspeaker

WD 35767 series

MECHANICAL DATA

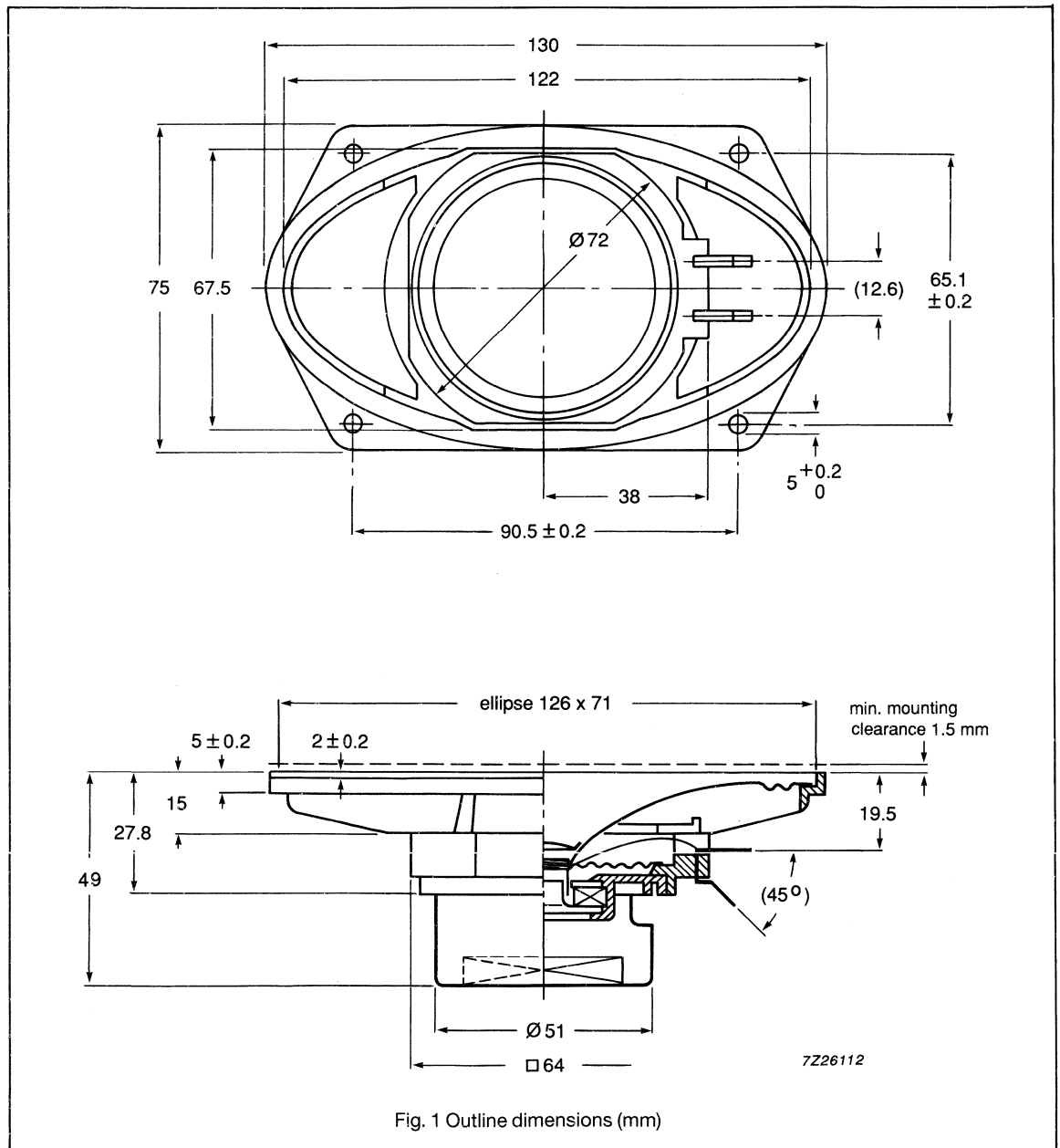
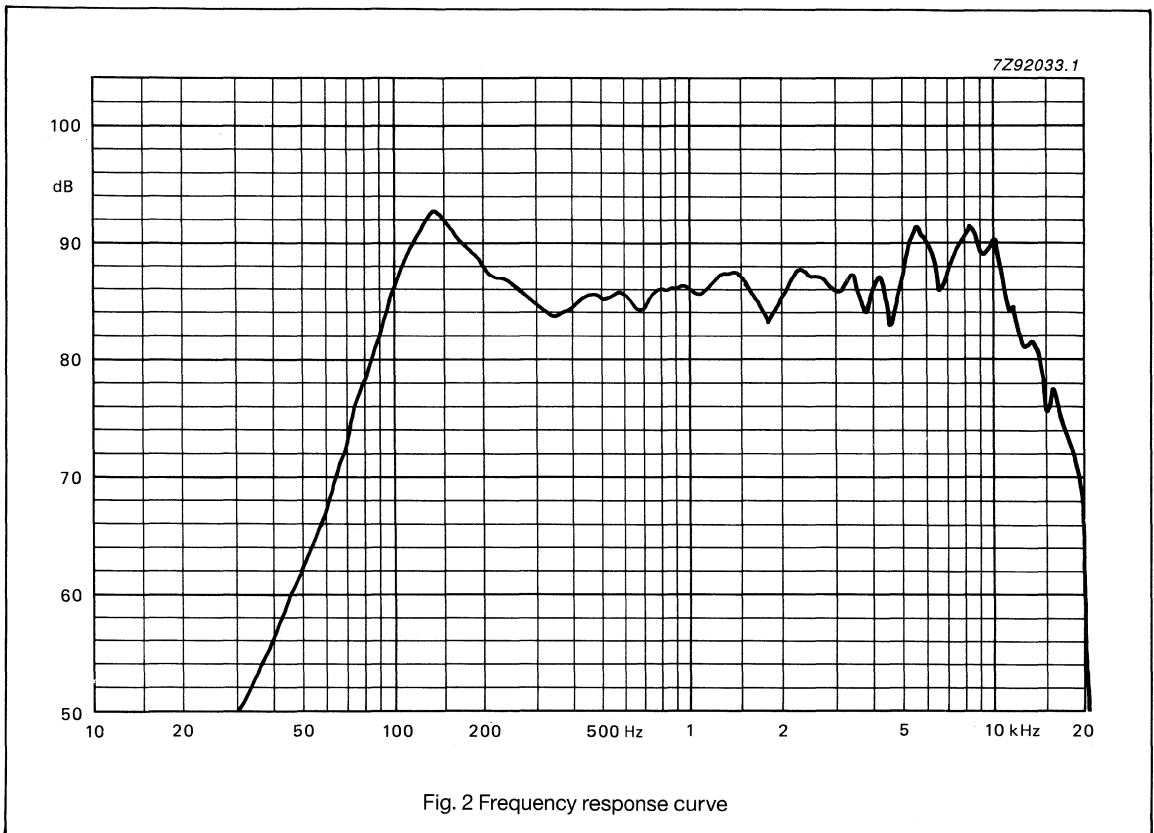


Fig. 1 Outline dimensions (mm)



**3 x 5" Full Range Oval Loudspeaker****WD 35767 series****FREQUENCY RESPONSE CURVES**

Frequency response curves have been measured on an axis at a distance of 1 m with 1 W input power.



Catalogue number: 2403 251 51101  
2403 251 51102  
2403 251 51103  
2403 251 51104

## Philips Components

Data sheet	
status	Product specification
date of issue	May 1990

# AD 35850/X4

## 3 x 5" Full Range Oval Loudspeaker

### APPLICATION

Full range audio loudspeaker.

### DESCRIPTION

• Frame	material: steel finish: zinc yellow
• Membrane	colour: black
• Suspension	material: paper
• Dust cap	material: mylar colour: black
• Gasket	: none

### TECHNICAL DATA

<b>Unmounted</b>		
Rated impedance	4	$\Omega$
Voice coil resistance	3.4	$\Omega$
Resonance frequency	190	Hz
Sweep voltage	2.45	V
Magnetic flux density	1.05	T
Loudspeaker mass	170	g
<b>Mounted</b>		
Characteristic sensitivity	89	dB/W/m
Maximum noise power (PHC)	3.0	W

3 x 5" Full Range Oval Loudspeaker

AD 35850/X4

MECHANICAL DATA

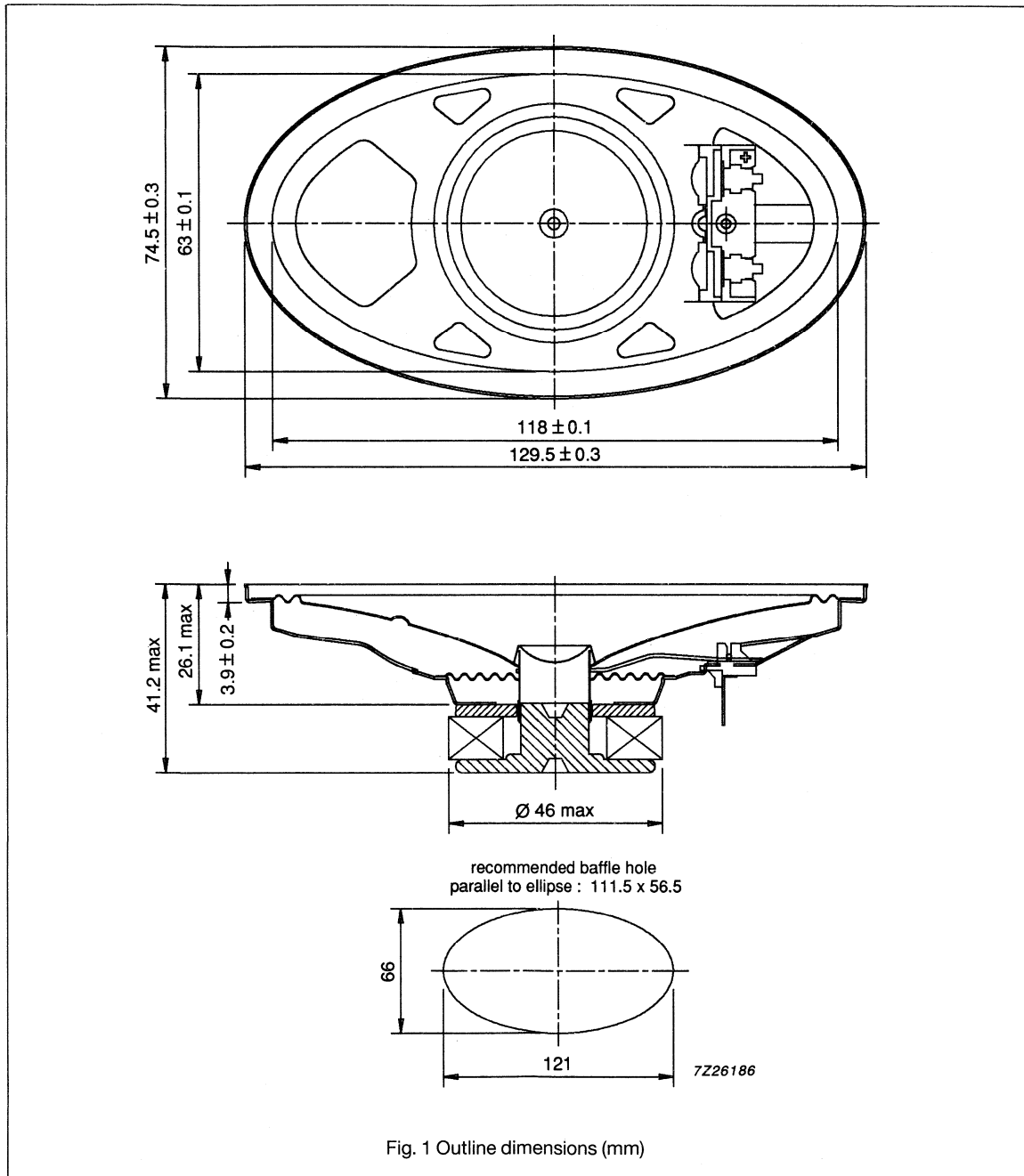
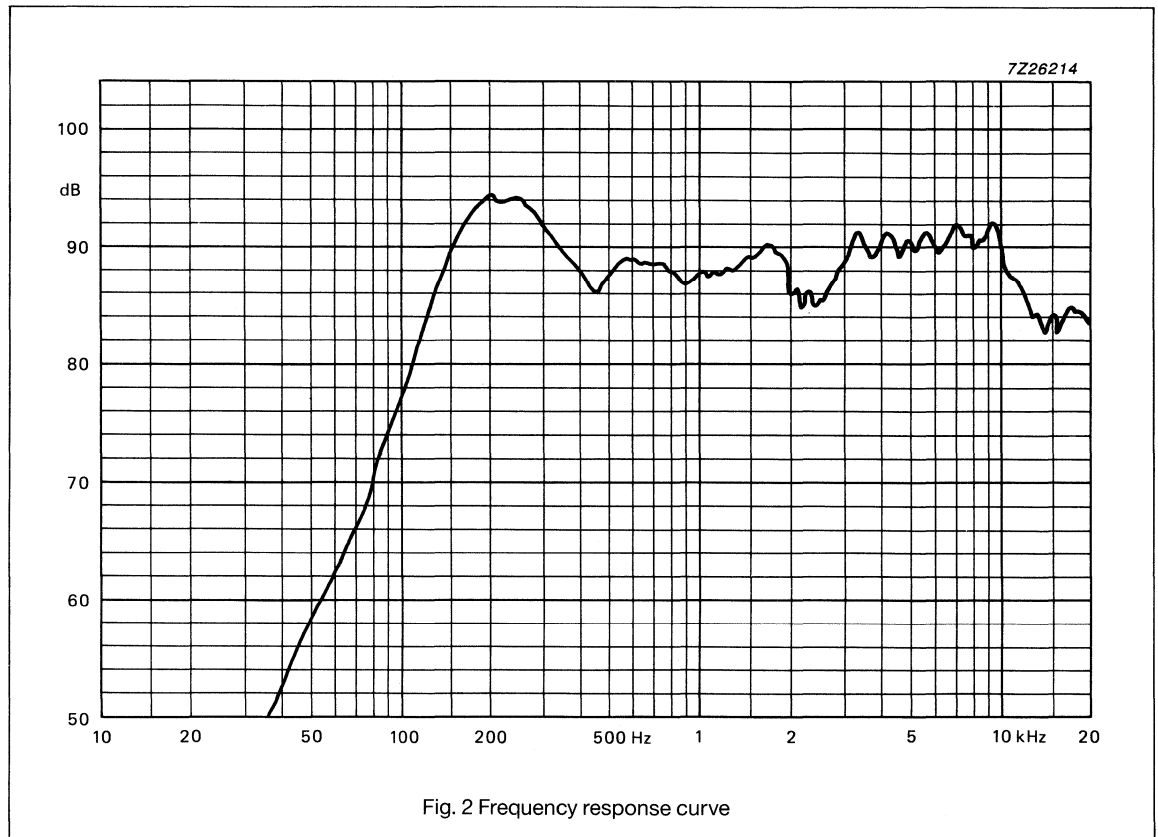


Fig. 1 Outline dimensions (mm)

**3 x 5" Full Range Oval Loudspeaker****AD 35850/X4****FREQUENCY RESPONSE CURVES**

Frequency response curves have been measured on an axis at a distance of 1 m with 1 W input power.



Catalogue number: 2422 257 24407

Data sheet	
status	Product specification
date of issue	October 1989

# WD 36720 series

## 3 x 6" Full Range Oval Loudspeaker

### APPLICATION

Full range loudspeaker for audio applications.

### DESCRIPTION

• Frame	material: plastic finish: none
• Membrane	colour: black
• Suspension	material: paper
• Dust cap	material: plastic colour: black
• Gasket	none

### TECHNICAL DATA

	version				unit
	X4	X8	X15	X25	
<b>Unmounted</b>					
Rated impedance	4	8	15	25	Ω
Voice coil resistance	3.6	7.2	13.5	22.5	Ω
Resonance frequency	130	130	130	130	Hz
Sweep voltage	2.4	3.46	4.74	6.12	V
Magnetic flux density	0.74	0.74	0.74	0.74	T
Loudspeaker mass	78	78	78	78	g
<b>Mounted</b>					
Characteristic sensitivity	87				dB/W/m
Maximum noise power (PHC)	3.0				W

### 3 x 6" Full Range Oval Loudspeaker

### WD 36720 series

#### MECHANICAL DATA

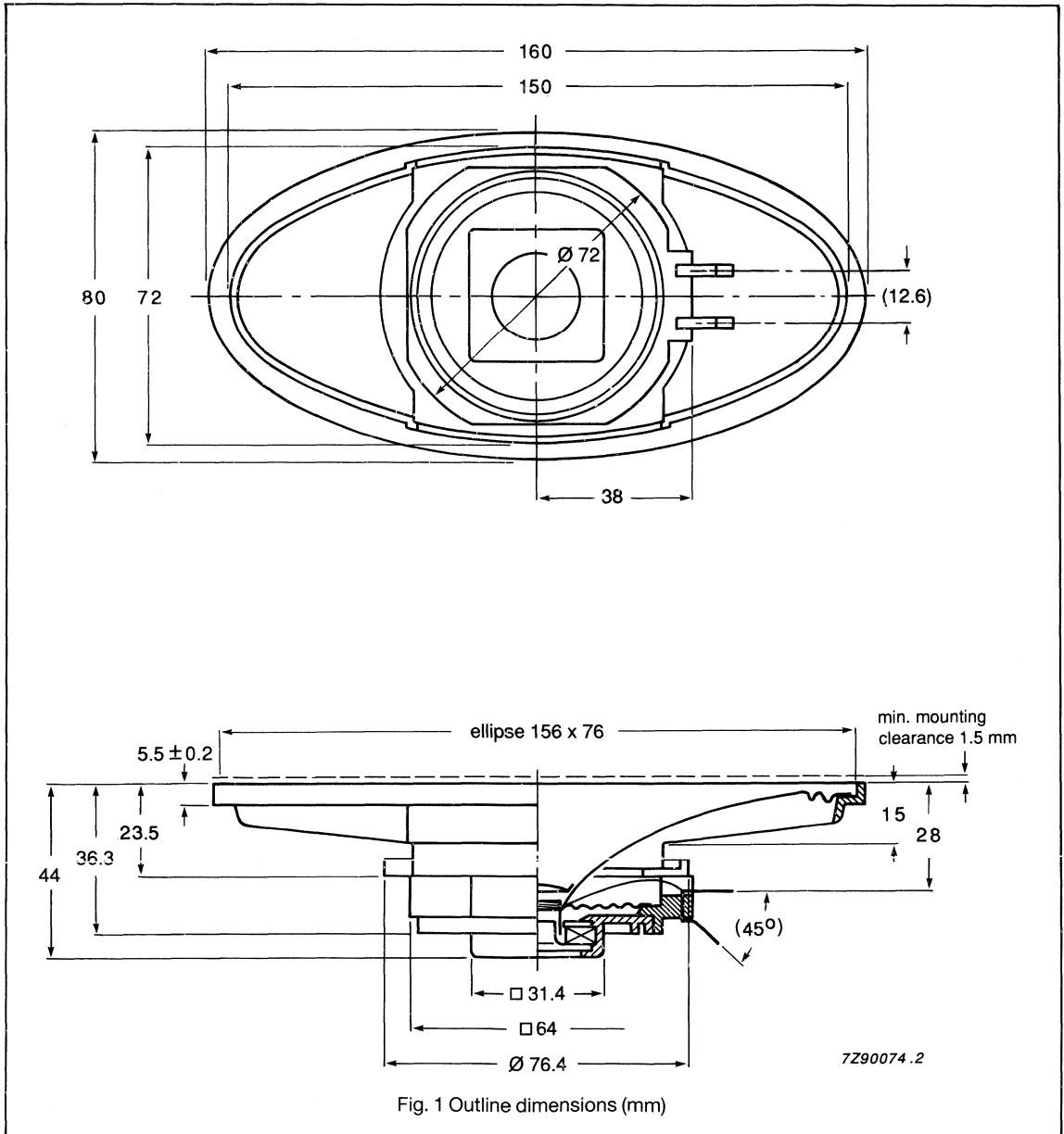
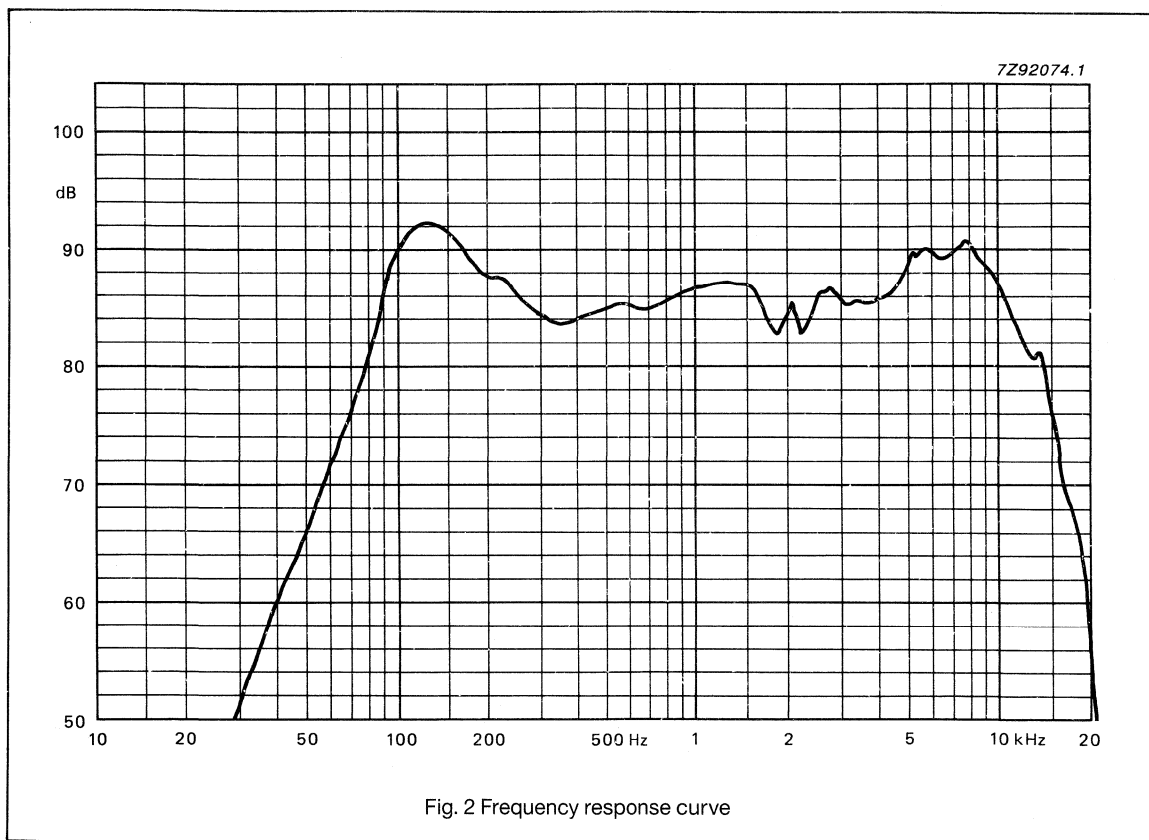


Fig. 1 Outline dimensions (mm)

**3 x 6" Full Range Oval Loudspeaker****WD 36720 series****FREQUENCY RESPONSE CURVES**

Frequency response curves have been measured on an axis at a distance of 1 m with 1 W input power.



Catalogue number: 2403 251 60001  
2403 251 60002  
2403 251 60003  
2403 251 60004

**Philips Components**

**WD 36722 series**  
**3 x 6" Full Range Oval Loudspeaker**

Data sheet	
status	Product specification
date of issue	October 1989

**APPLICATION**

Full range loudspeaker for audio applications.

**DESCRIPTION**

• Frame	material: plastic finish: none
• Membrane	colour: black
• Suspension	material: paper
• Dust cap	material: plastic colour: black
• Gasket	none

**TECHNICAL DATA**

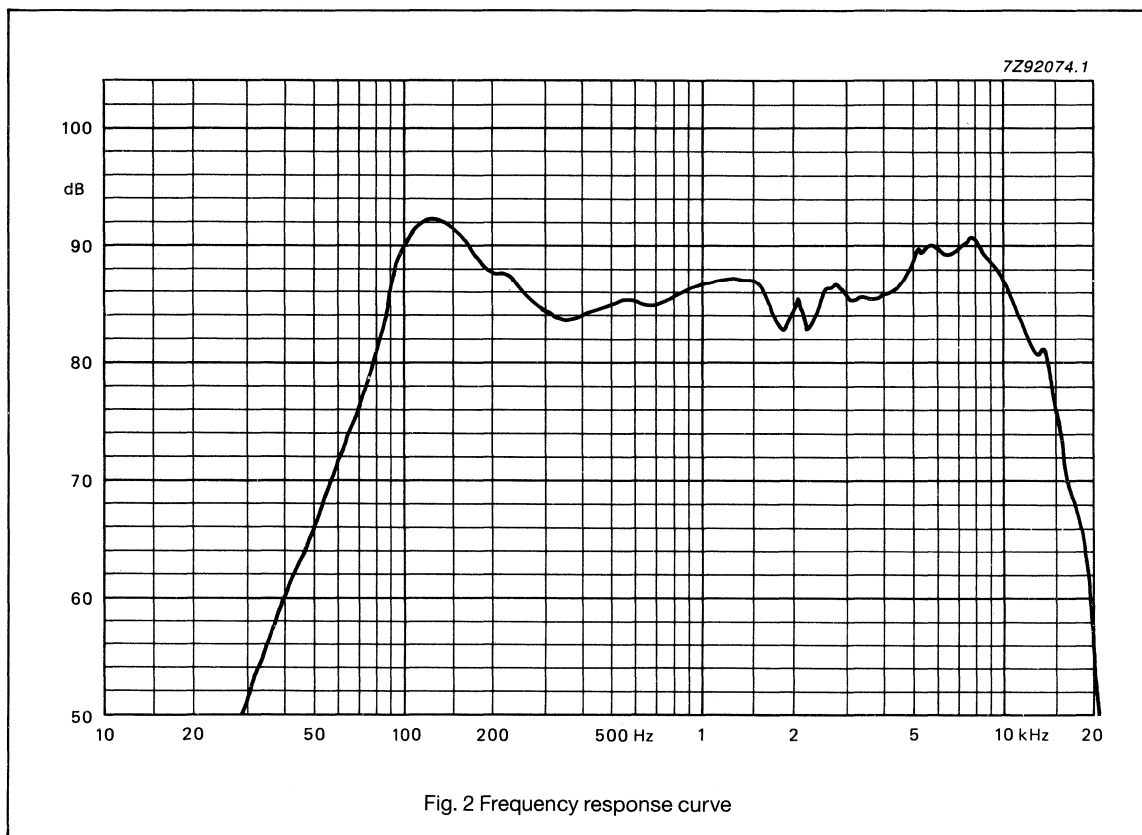
	version				unit
	X4	X8	X15	X25	
<b>Unmounted</b>					
Rated impedance	4	8	15	25	Ω
Voice coil resistance	3.6	7.2	13.5	22.5	Ω
Resonance frequency	130	130	130	130	Hz
Sweep voltage	2.44	3.46	4.74	6.12	V
Magnetic flux density	0.74	0.74	0.74	0.74	T
Loudspeaker mass	78	78	78	78	g
<b>Mounted</b>					
Characteristic sensitivity		87			dB/W/m
Maximum noise power (PHC)		3.0			W





**3 x 6" Full Range Oval Loudspeaker****WD 36722 series****FREQUENCY RESPONSE CURVES**

Frequency response curves have been measured on an axis at a distance of 1 m with 1 W input power.



Catalogue number: 2403 251 60101  
2403 251 60102  
2403 251 60103  
2403 251 60104

Data sheet	
status	Product specification
date of issue	October 1989

# WD 36725 series

## 3 x 6" Full Range Oval Loudspeaker

### APPLICATION

Full range loudspeaker for audio applications.

### DESCRIPTION

• Frame	material: plastic finish: none
• Membrane	colour: black
• Suspension	material: paper
• Dust cap	material: plastic colour: black
• Gasket	none

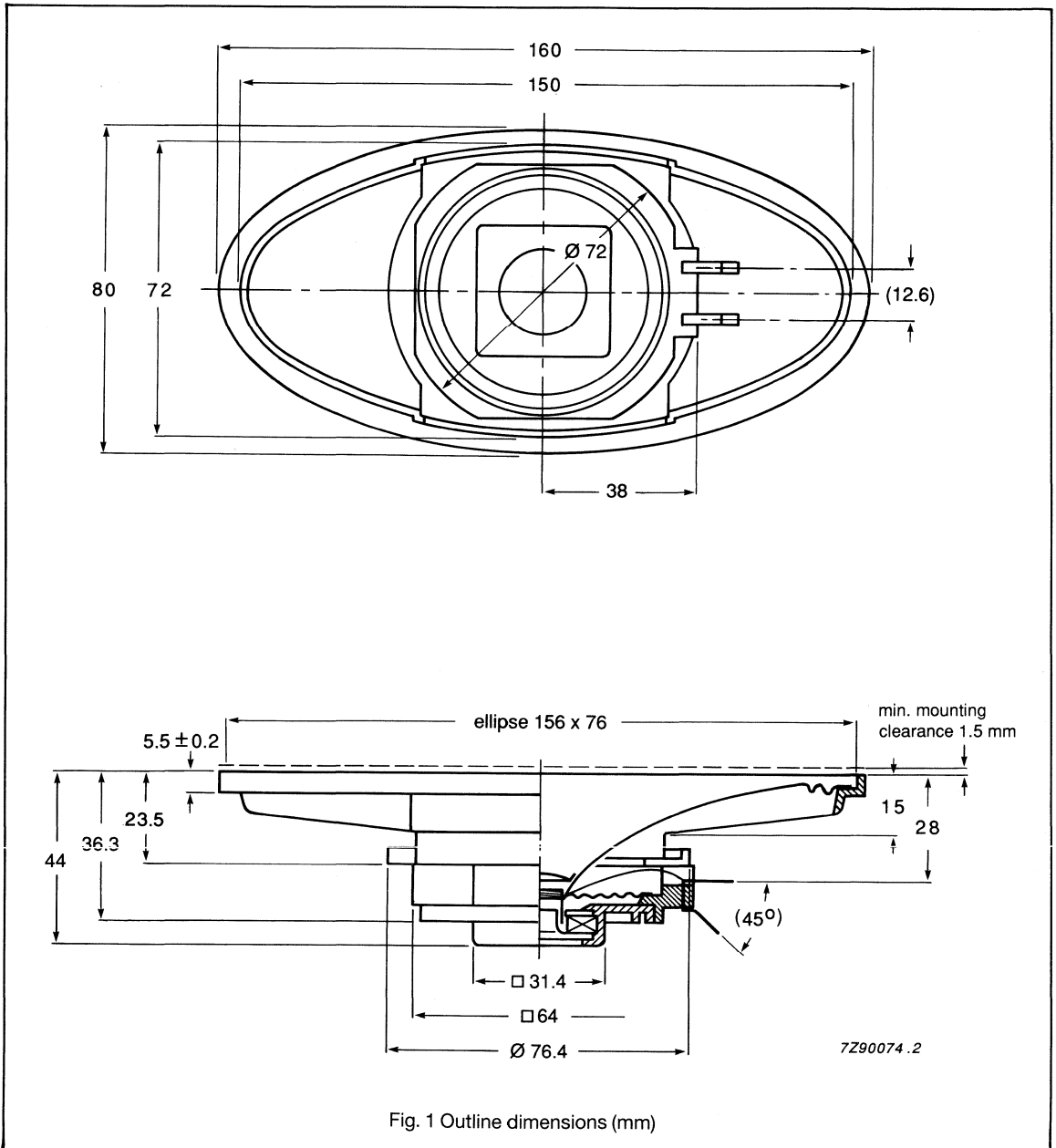
### TECHNICAL DATA

	version				unit
	X4	X8	X15	X25	
<b>Unmounted</b>					
Rated impedance	4	8	15	25	$\Omega$
Voice coil resistance	3.6	7.2	13.5	22.5	$\Omega$
Resonance frequency	130	130	130	130	Hz
Sweep voltage	3.16	4.47	6.12	7.9	V
Magnetic flux density	0.74	0.74	0.74	0.74	T
Loudspeaker mass	78	78	78	78	g
<b>Mounted</b>					
Characteristic sensitivity		87			dB/W/m
Maximum noise power (PHC)		5.0			W

3 x 6" Full Range Oval Loudspeaker

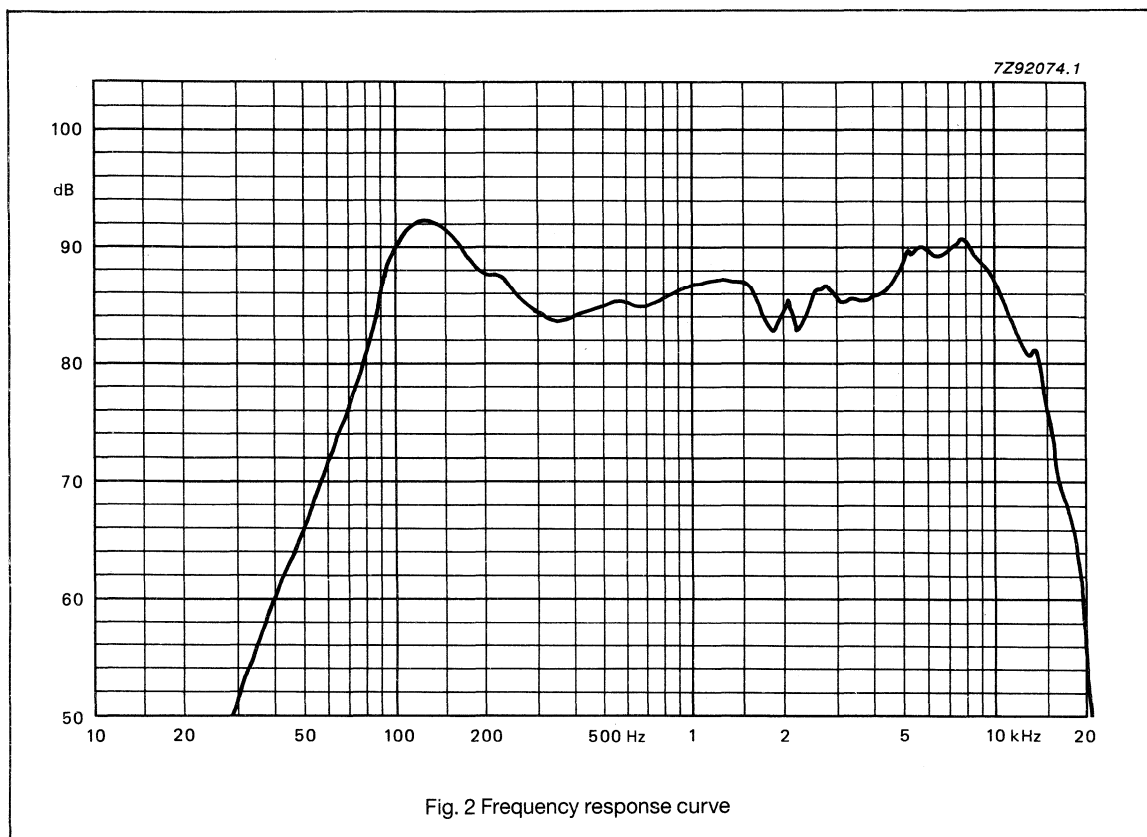
WD 36725 series

MECHANICAL DATA



**3 x 6" Full Range Oval Loudspeaker****WD 36725 series****FREQUENCY RESPONSE CURVES**

Frequency response curves have been measured on an axis at a distance of 1 m with 1 W input power.



Catalogue number: 2403 251 60601  
2403 251 60602  
2403 251 60603  
2403 251 60604

**Philips Components**

**WD 36727 series**  
**3 x 6" Full Range Oval Loudspeaker**

Data sheet	
status	Product specification
date of issue	October 1989

**APPLICATION**

Full range loudspeaker for audio applications.

**DESCRIPTION**

• Frame	material: plastic finish: none
• Membrane	colour: black
• Suspension	material: paper
• Dust cap	material: plastic colour: black
• Gasket	none

**TECHNICAL DATA**

	version				unit
	X4	X8	X15	X25	
<b>Unmounted</b>					
Rated impedance	4	8	15	25	Ω
Voice coil resistance	3.6	7.2	13.5	22.5	Ω
Resonance frequency	130	130	130	130	Hz
Sweep voltage	3.16	4.47	6.12	7.9	V
Magnetic flux density	0.74	0.74	0.74	0.74	T
Loudspeaker mass	78	78	78	78	g
<b>Mounted</b>					
Characteristic sensitivity	87				dB/W/m
Maximum noise power (PHC)	5.0				W

3 x 6" Full Range Oval Loudspeaker

WD 36727 series

MECHANICAL DATA

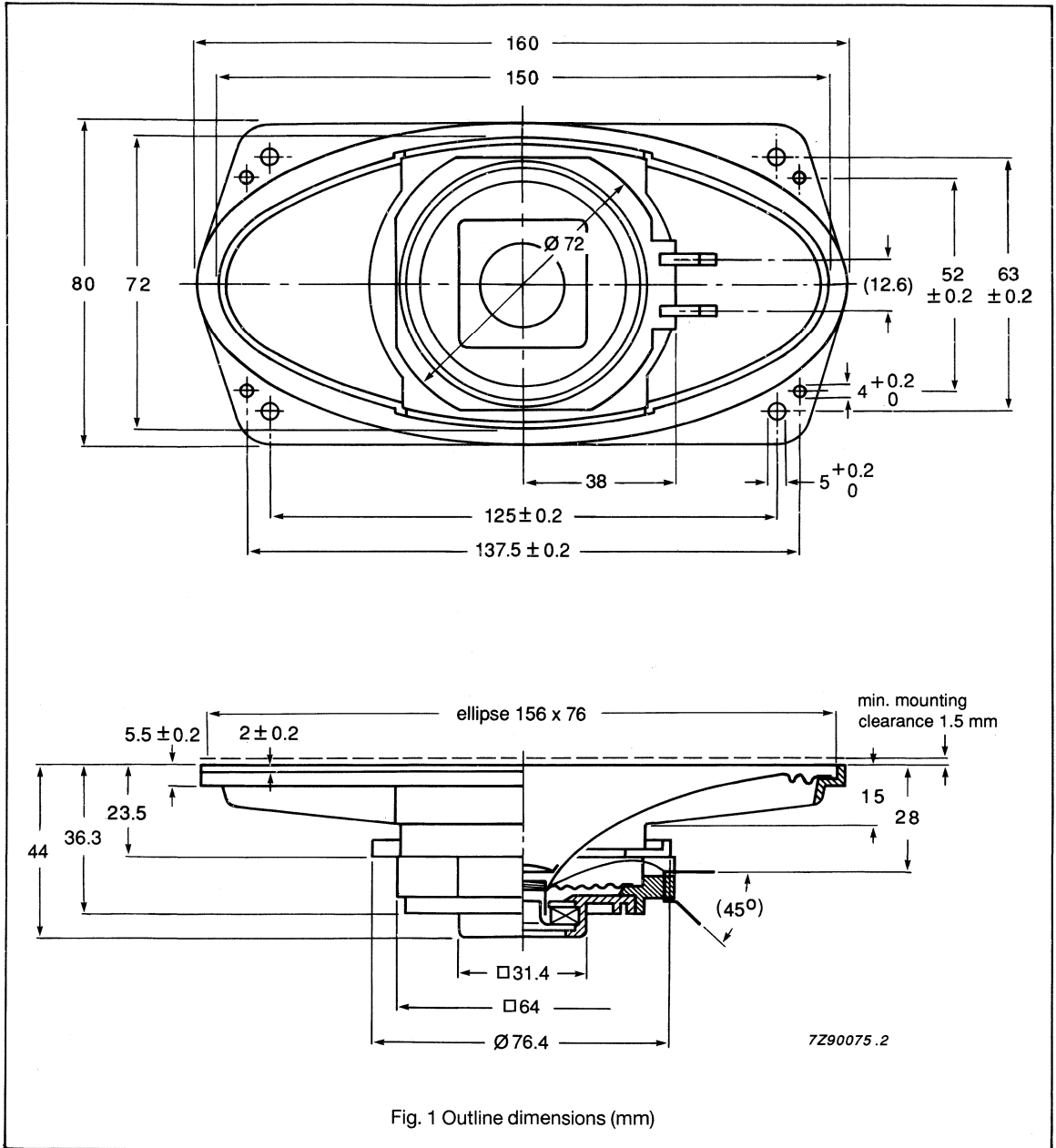


Fig. 1 Outline dimensions (mm)

**3 x 6" Full Range Oval Loudspeaker****WD 36727 series****FREQUENCY RESPONSE CURVES**

Frequency response curves have been measured on an axis at a distance of 1 m with 1 W input power.



Catalogue number: 2403 251 60701  
2403 251 60702  
2403 251 60703  
2403 251 60704



Data sheet	
status	Product specification
date of issue	October 1989

# WD 36740 series

## 3 x 6" Full Range Oval Loudspeaker

### APPLICATION

Full range loudspeaker for video applications.

### DESCRIPTION

• Frame	material: plastic finish: none
• Membrane	colour: black
• Suspension	material: paper
• Dust cap	material: plastic colour: black
• Gasket	none

### TECHNICAL DATA

	version				unit
	X4	X8	X15	X25	
<b>Unmounted</b>					
Rated impedance	4	8	15	25	Ω
Voice coil resistance	3.6	7.2	13.5	22.5	Ω
Resonance frequency	130	130	130	130	Hz
Sweep voltage	2.23	3.16	4.33	5.59	V
Magnetic flux density	0.74	0.74	0.74	0.74	T
Loudspeaker mass	82	82	82	82	g
<b>Mounted</b>					
Characteristic sensitivity		87			db/w/m
Maximum noise power (PHC)		2.5			W

### 3 x 6" Full Range Oval Loudspeaker

### WD 36740 series

#### MECHANICAL DATA

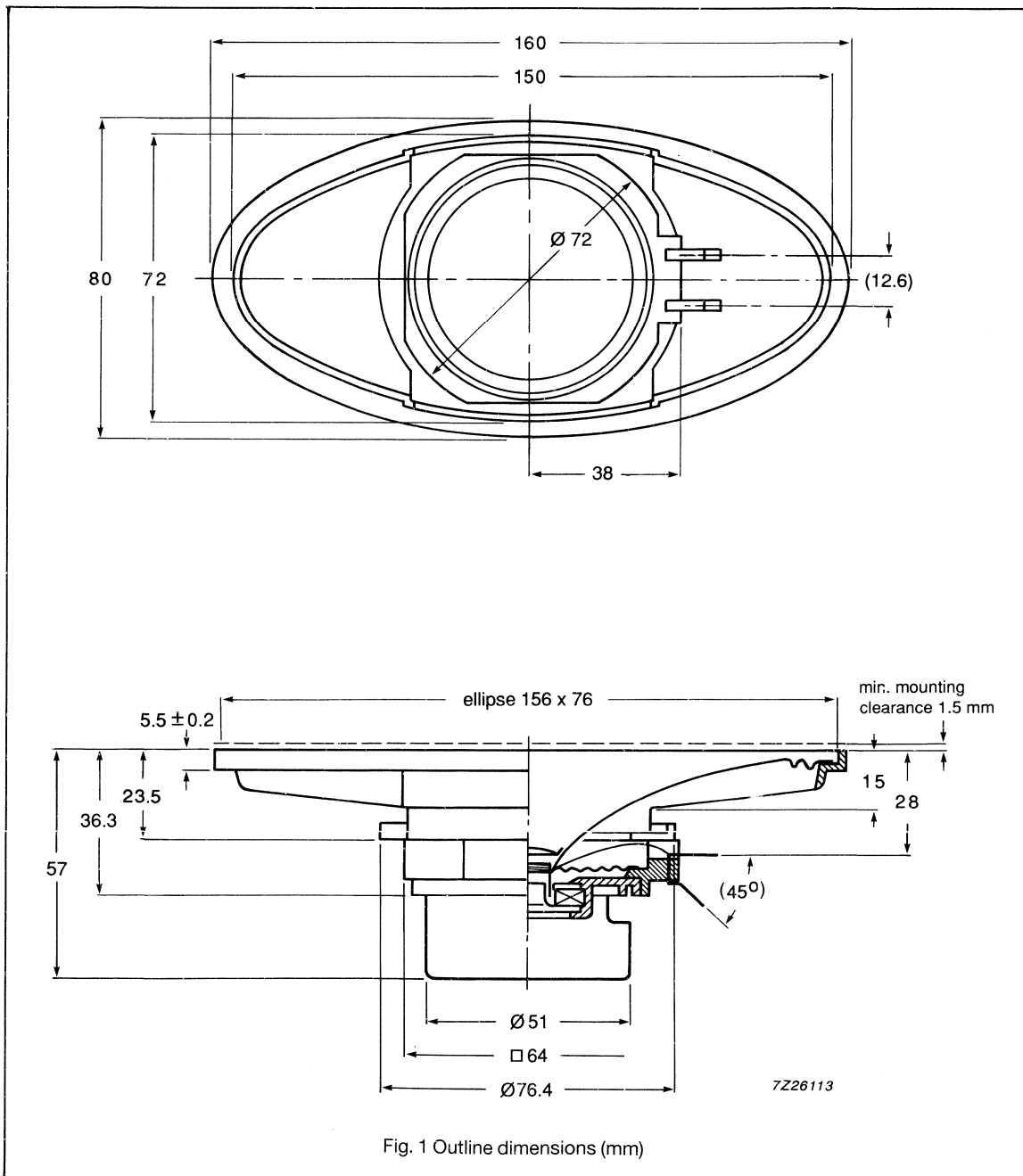


Fig. 1 Outline dimensions (mm)

**3 x 6" Full Range Oval Loudspeaker****WD 36740 series****FREQUENCY RESPONSE CURVES**

Frequency response curves have been measured on an axis at a distance of 1 m with 1 W input power.



Catalogue number: 2403 251 60201  
2403 251 60202  
2403 251 60203  
2403 251 60204

## Philips Components

Data sheet	
status	Product specification
date of issue	October 1989

# WD 36742 series

## 3 x 6" Full Range Oval Loudspeaker

### APPLICATION

Full range loudspeaker for video applications.

### DESCRIPTION

• Frame	material: plastic finish: none
• Membrane	colour: black
• Suspension	material: paper
• Dust cap	material: plastic colour: black
• Gasket	none

### TECHNICAL DATA

	version				unit
	X4	X8	X15	X25	
<b>Unmounted</b>					
Rated impedance	4	8	15	25	$\Omega$
Voice coil resistance	3.6	7.2	13.5	22.5	$\Omega$
Resonance frequency	130	130	130	130	Hz
Sweep voltage	2.23	3.16	4.33	5.59	V
Magnetic flux density	0.74	0.74	0.74	0.74	T
Loudspeaker mass	82	82	82	82	g
<b>Mounted</b>					
Characteristic sensitivity		87			db/w/m
Maximum noise power (PHC)		2.5			W

3 x 6" Full Range Oval Loudspeaker

WD 36742 series

MECHANICAL DATA

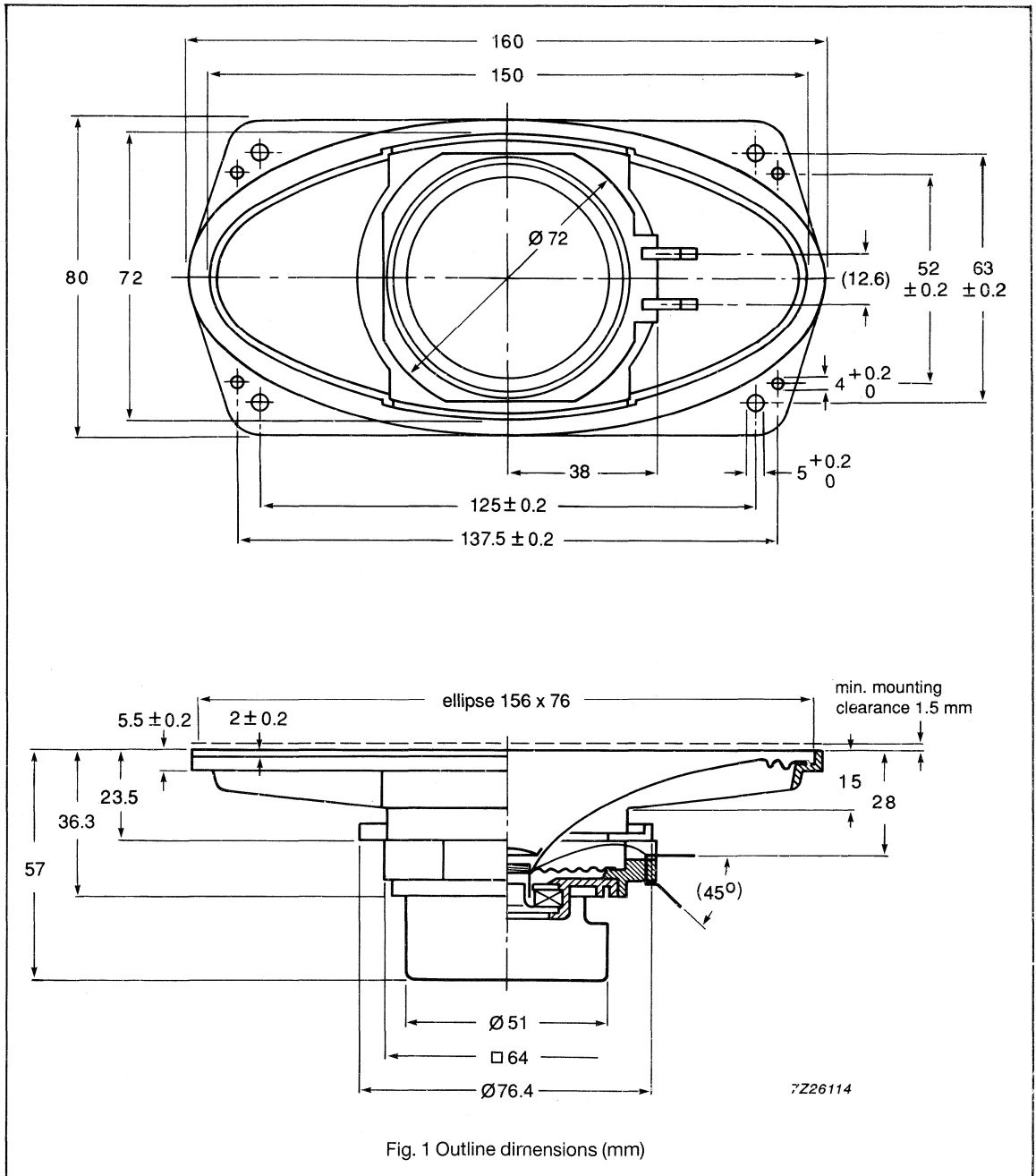
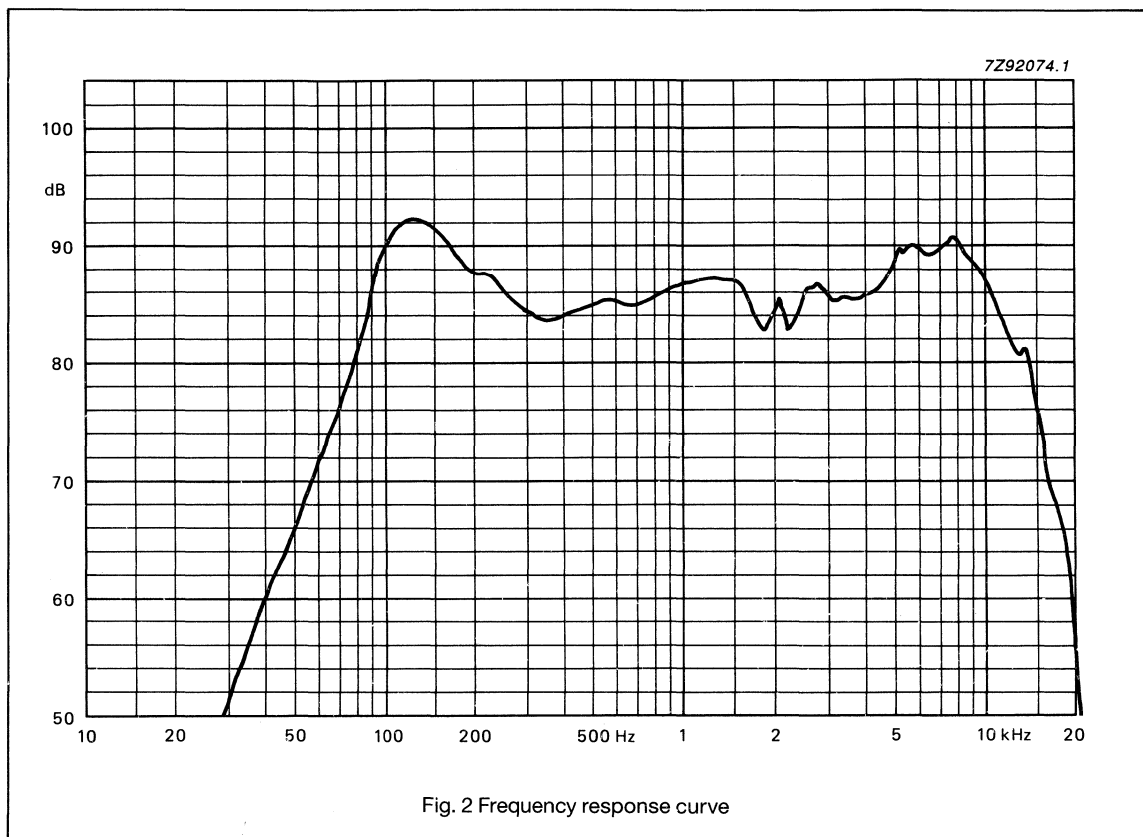


Fig. 1 Outline dimensions (mm)

**3 x 6" Full Range Oval Loudspeaker****WD 36742 series****FREQUENCY RESPONSE CURVES**

Frequency response curves have been measured on an axis at a distance of 1 m with 1 W input power.



Catalogue number: 2403 251 60301  
2403 251 60302  
2403 251 60303  
2403 251 60304

Data sheet	
status	Product specification
date of issue	October 1989

# WD 36745 series

## 3 x 6" Full Range Oval Loudspeaker

**APPLICATION**

Full range loudspeaker for video applications.

**DESCRIPTION**

• Frame	material: plastic finish: none
• Membrane	colour: black
• Suspension	material: paper
• Dust cap	material: plastic colour: black
• Gasket	none

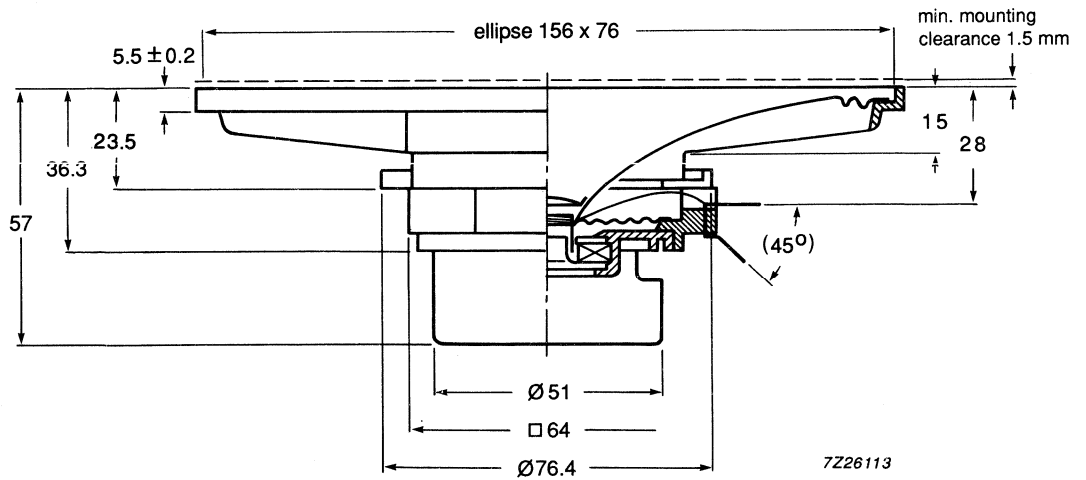
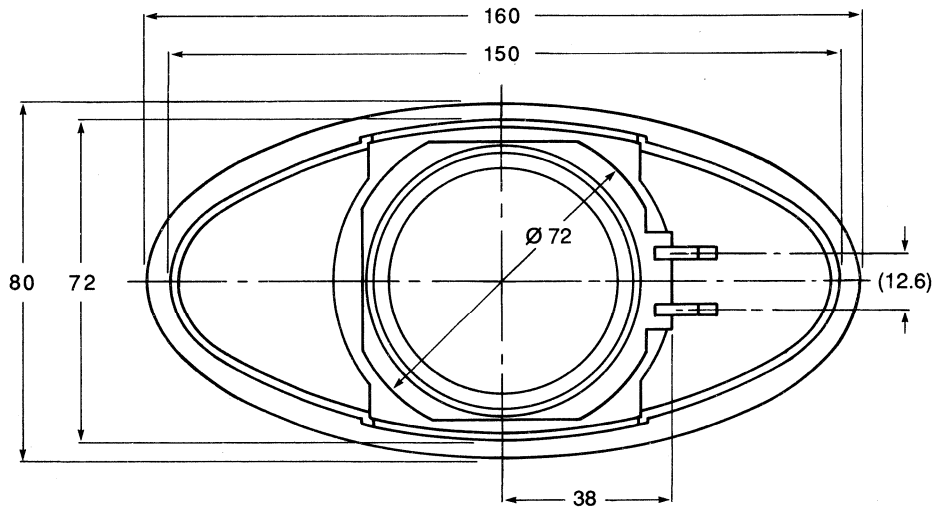
**TECHNICAL DATA**

	version				unit
	X4	X8	X15	X25	
<b>Unmounted</b>					
Rated impedance	4	8	15	25	Ω
Voice coil resistance	3.6	7.2	13.5	22.5	Ω
Resonance frequency	130	130	130	130	Hz
Sweep voltage	2.64	3.74	5.12	6.61	V
Magnetic flux density	0.74	0.74	0.74	0.74	T
Loudspeaker mass	82	82	82	82	g
<b>Mounted</b>					
Characteristic sensitivity		87			db/w/m
Maximum noise power (PHC)		3.5			W

3 x 6" Full Range Oval Loudspeaker

WD 36745 series

MECHANICAL DATA



7Z26113

Fig. 1 Outline dimensions (mm)

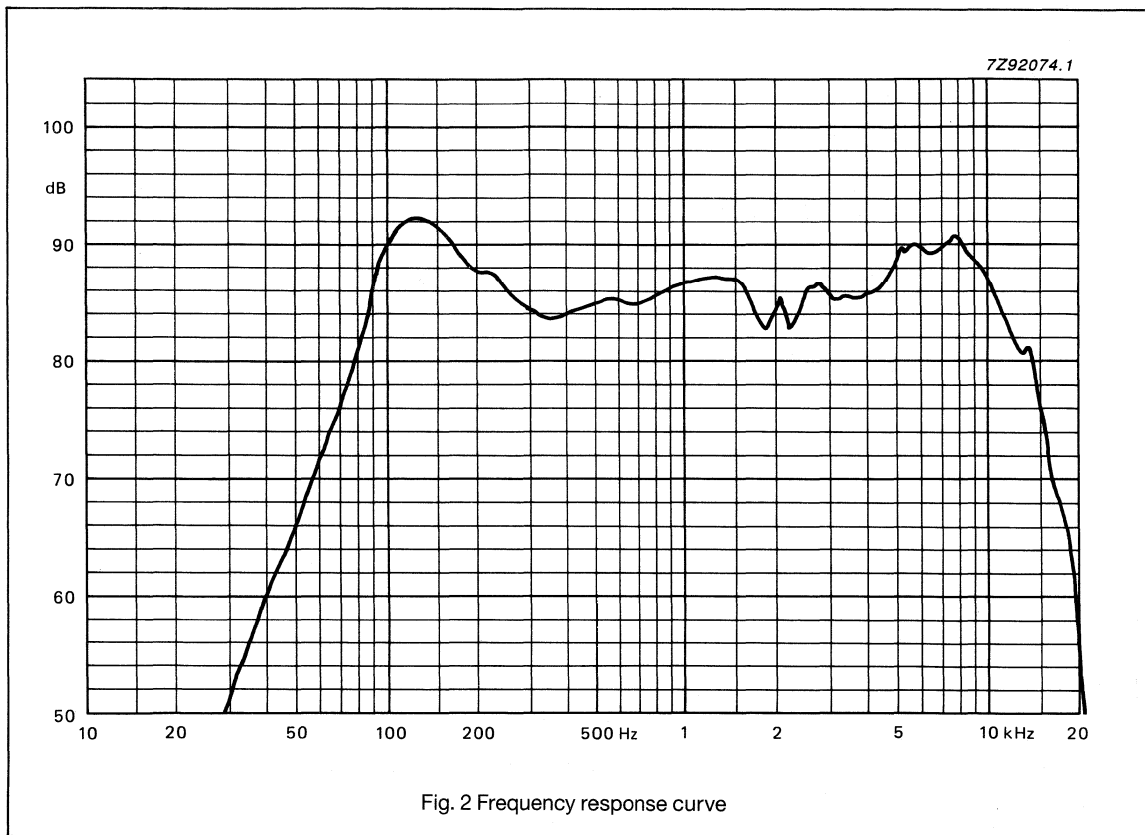


**3 x 6" Full Range Oval Loudspeaker**

**WD 36745 series**

**FREQUENCY RESPONSE CURVES**

Frequency response curves have been measured on an axis at a distance of 1 m with 1 W input power.



- Catalogue number: 2403 251 60801
- 2403 251 60802
- 2403 251 60803
- 2403 251 60804

**Philips Components**

Data sheet	
status	Product specification
date of issue	October 1989

# WD 36747 series

## 3 x 6" Full Range Oval Loudspeaker

**APPLICATION**

Full range loudspeaker for video applications.

**DESCRIPTION**

• Frame	material: plastic finish: none
• Membrane	colour: black
• Suspension	material: paper
• Dust cap	material: plastic colour: black
• Gasket	none

**TECHNICAL DATA**

	version				unit
	X4	X8	X15	X25	
<b>Unmounted</b>					
Rated impedance	4	8	15	25	$\Omega$
Voice coil resistance	3.6	7.2	13.5	22.5	$\Omega$
Resonance frequency	130	130	130	130	Hz
Sweep voltage	2.64	3.74	5.12	6.61	V
Magnetic flux density	0.74	0.74	0.74	0.74	T
Loudspeaker mass	82	82	82	82	g
<b>Mounted</b>					
Characteristic sensitivity		87			db/w/m
Maximum noise power (PHC)		3.5			W

3 x 6" Full Range Oval Loudspeaker

WD 36747 series

MECHANICAL DATA

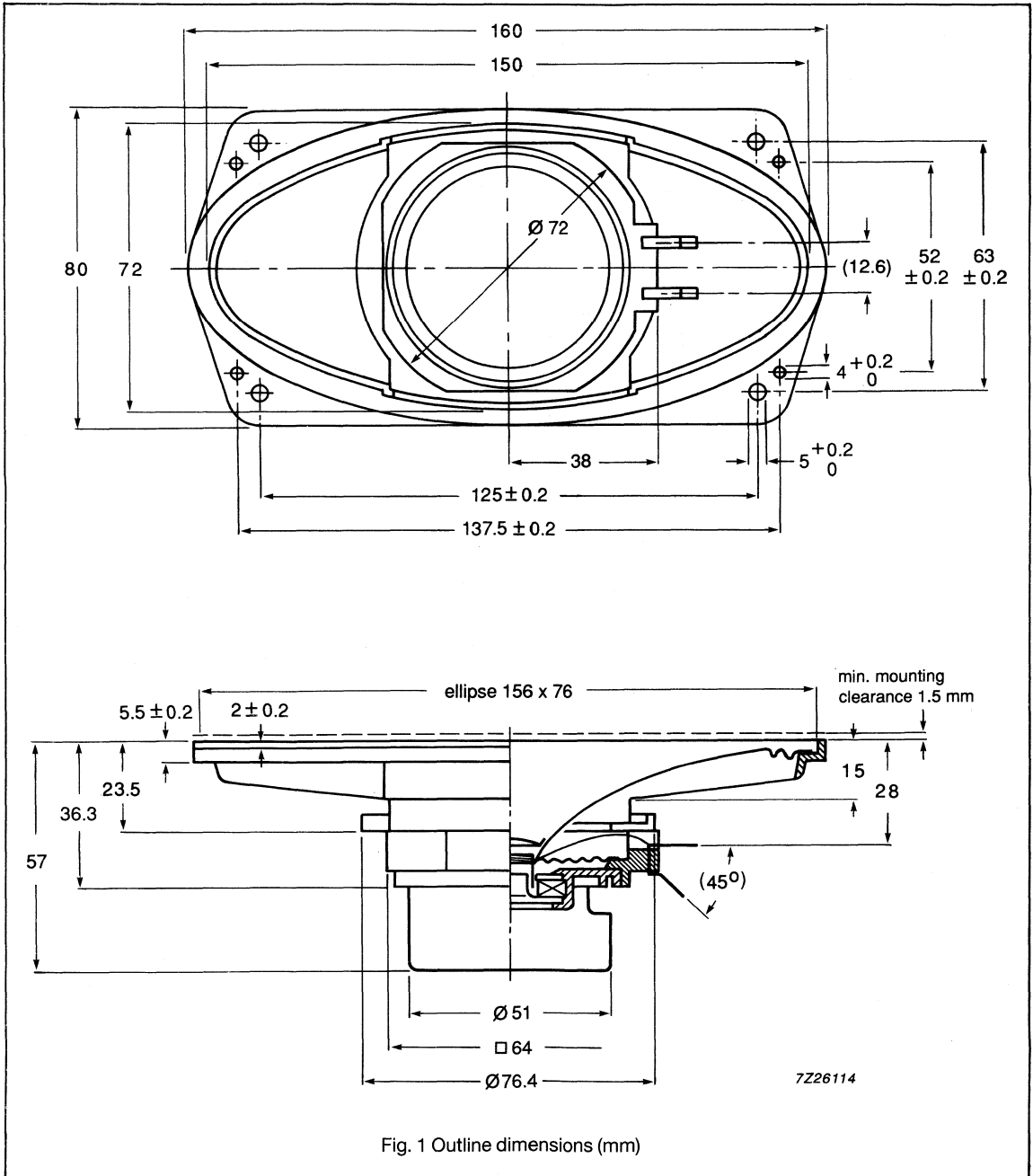
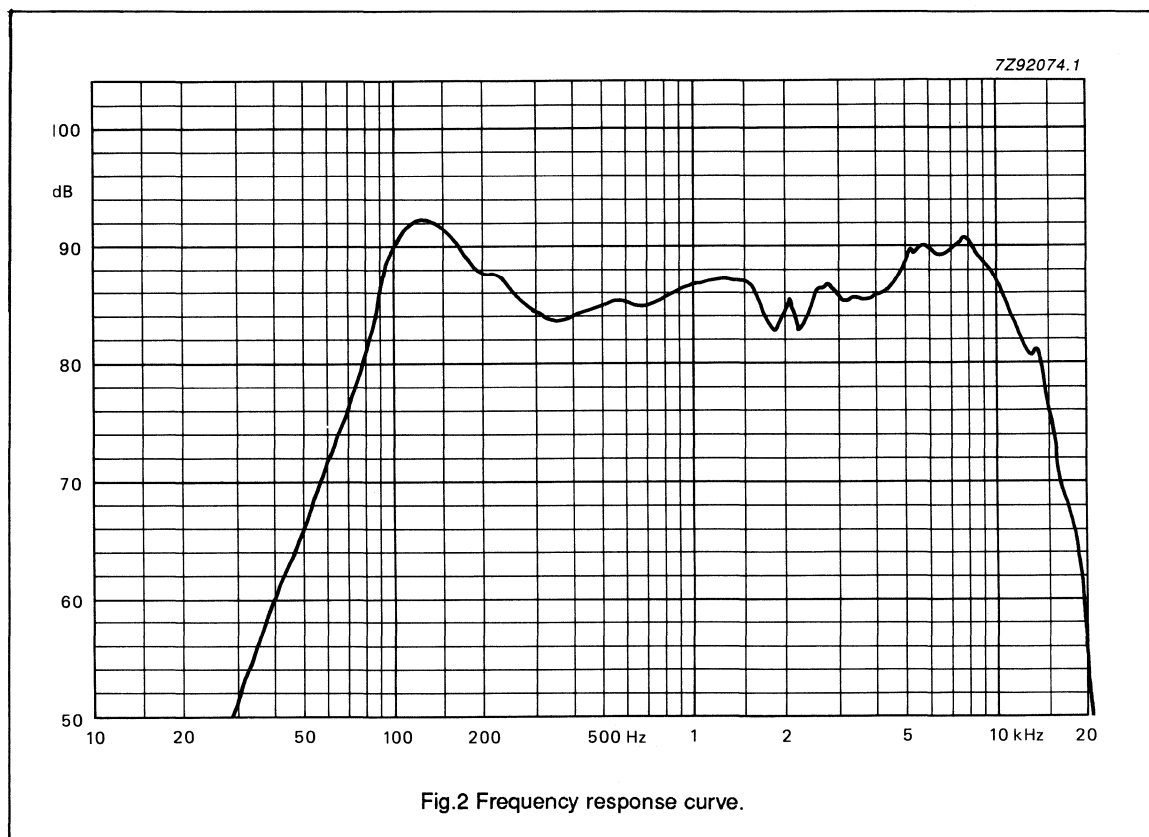


Fig. 1 Outline dimensions (mm)

**3 x 6" Full Range Oval Loudspeaker****WD 36747 series****FREQUENCY RESPONSE CURVES**

Frequency response curves have been measured on an axis at a distance of 1 m with 1 W input power.



Catalogue number: 2403 251 60901  
2403 251 60902  
2403 251 60903  
2403 251 60904

Data sheet	
status	Product specification
date of issue	October 1989

# WD 36760 series

## 3 x 6" Full Range Oval Loudspeaker

### APPLICATION

Full range loudspeaker for video applications.

### DESCRIPTION

• Frame	material: plastic finish: none
• Membrane	colour: black
• Suspension	material: paper
• Dust cap	material: plastic colour: black
• Gasket	none

### TECHNICAL DATA

	version				unit
	X4	X8	X15	X25	
<b>Unmounted</b>					
Rated impedance	4	8	15	25	Ω
Voice coil resistance	3.6	7.2	13.5	22.5	Ω
Resonance frequency	130	130	130	130	Hz
Sweep voltage	2.23	3.16	4.33	5.59	V
Magnetic flux density	0.74	0.74	0.74	0.74	T
Loudspeaker mass	94	94	94	94	g
<b>Mounted</b>					
Characteristic sensitivity	87				db/w/m
Maximum noise power	2.5				W

3 x 6" Full Range Oval Loudspeaker

WD 36760 series

MECHANICAL DATA

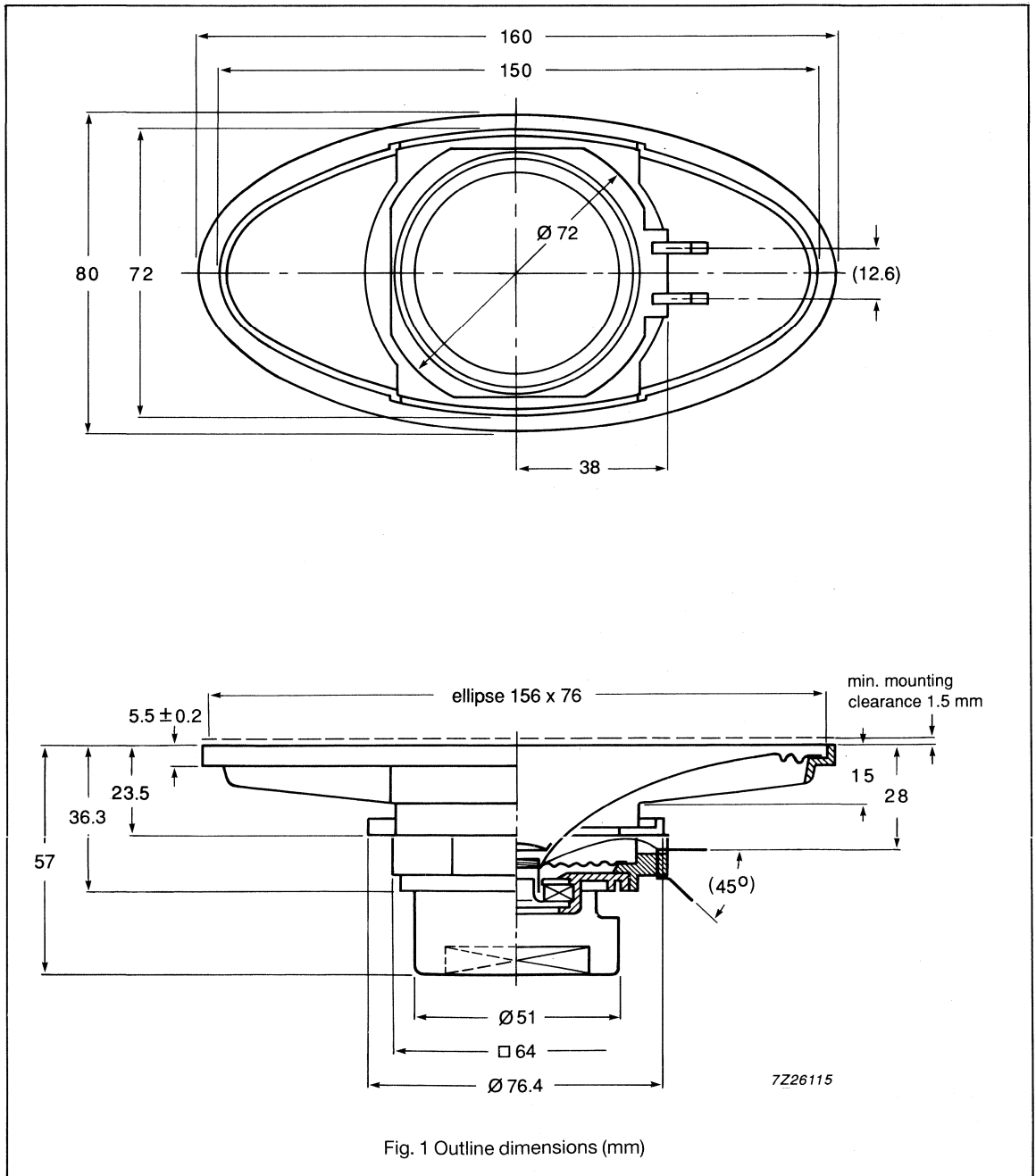
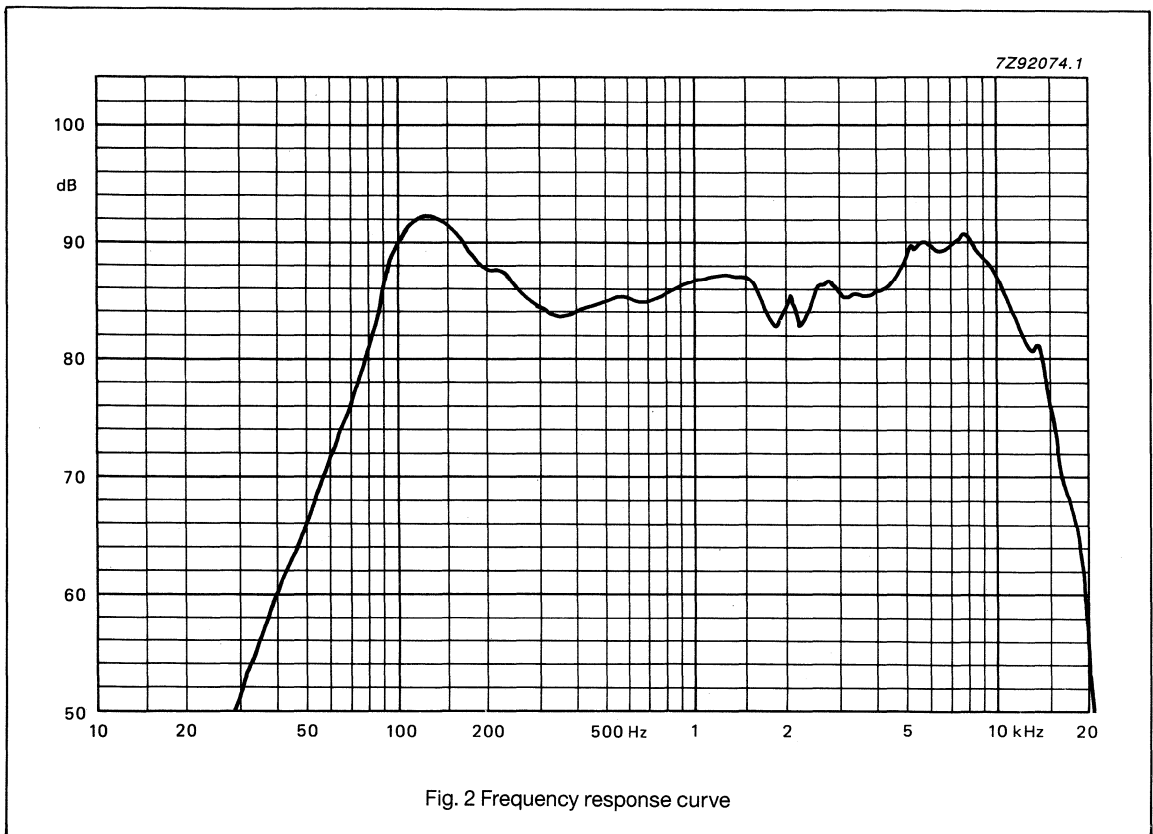


Fig. 1 Outline dimensions (mm)

**3 x 6" Full Range Oval Loudspeaker****WD 36760 series****FREQUENCY RESPONSE CURVES**

Frequency response curves have been measured on an axis at a distance of 1 m with 1 W input power.



Catalogue number: 2403 251 60401  
2403 251 60402  
2403 251 60403  
2403 251 60404

Data sheet	
status	Product specification
date of issue	October 1989

# WD 36762 series

## 3 x 6" Full Range Oval Loudspeaker

### APPLICATION

Full range loudspeaker for video applications.

### DESCRIPTION

- |              |                                    |
|--------------|------------------------------------|
| • Frame      | material: plastic<br>finish: none  |
| • Membrane   | colour: black                      |
| • Suspension | material: paper                    |
| • Dust cap   | material: plastic<br>colour: black |
| • Gasket     | none                               |

### TECHNICAL DATA

	version				unit
	X4	X8	X15	X25	
<b>Unmounted</b>					
Rated impedance	4	8	15	25	Ω
Voice coil resistance	3.6	7.2	13.5	22.5	Ω
Resonance frequency	130	130	130	130	Hz
Sweep voltage	2.23	3.16	4.33	5.59	V
Magnetic flux density	0.74	0.74	0.74	0.74	T
Loudspeaker mass	94	94	94	94	g
<b>Mounted</b>					
Characteristic sensitivity		87			db/w/m
Maximum noise power		2.5			W



3 x 6" Full Range Oval Loudspeaker

WD 36762 series

MECHANICAL DATA

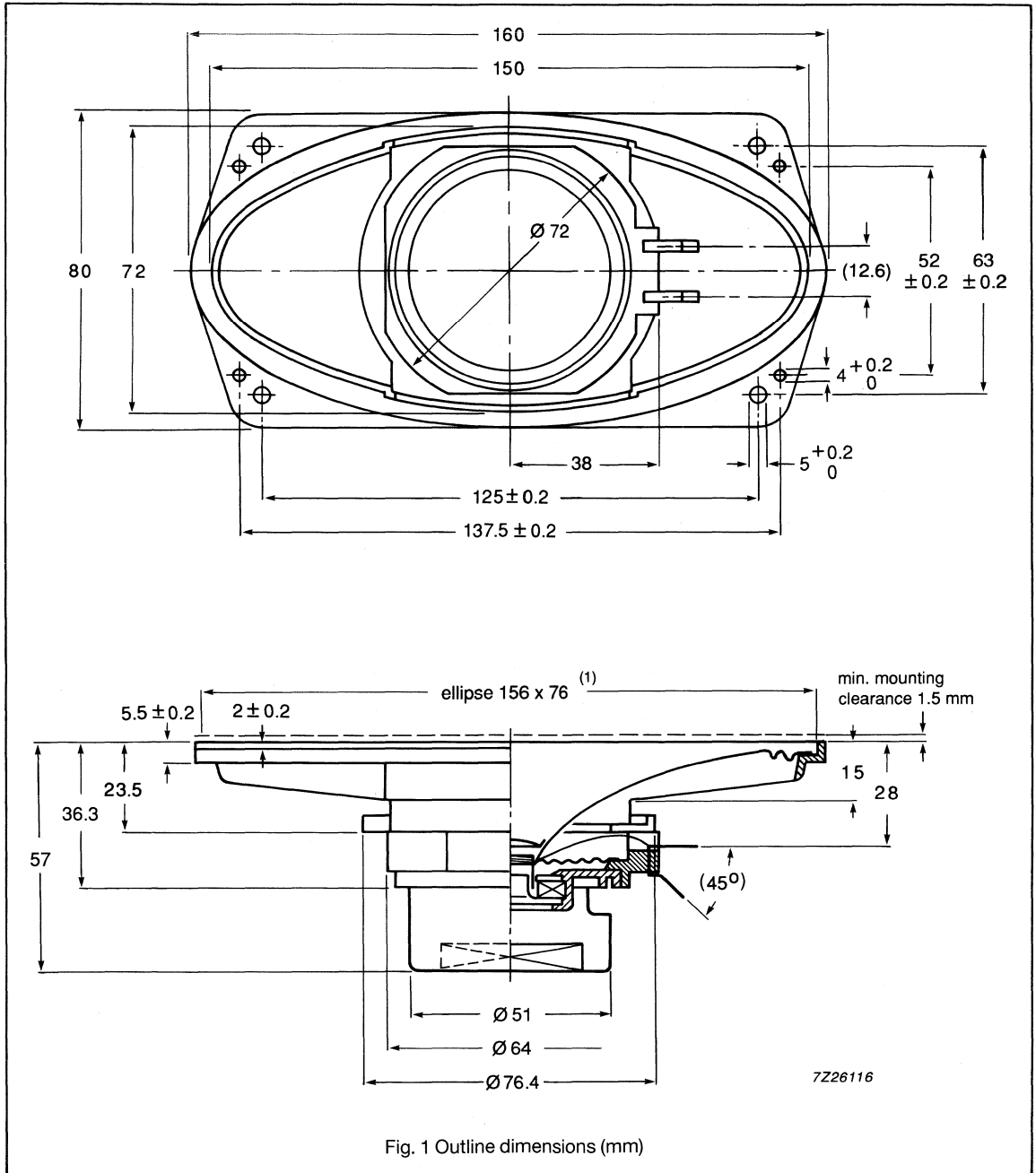
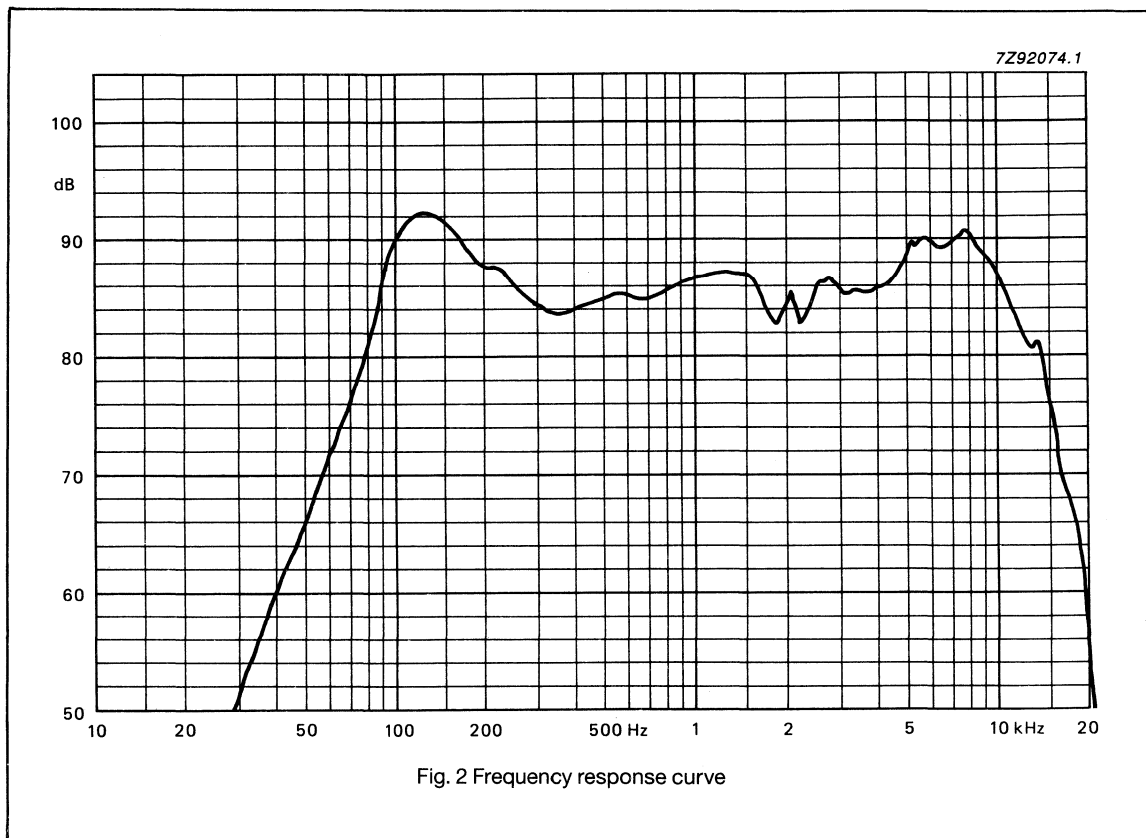


Fig. 1 Outline dimensions (mm)

**3 x 6" Full Range Oval Loudspeaker****WD 36762 series****FREQUENCY RESPONSE CURVES**

Frequency response curves have been measured on an axis at a distance of 1 m with 1 W input power.



Catalogue number: 2403 251 60501

2403 251 60502

2403 251 60503

2403 251 60504

# WD 36765 series

## 3 x 6" Full Range Oval Loudspeaker

Data sheet	
status	Product specification
date of issue	October 1989

### APPLICATION

Full range loudspeaker for video applications.

### DESCRIPTION

• Frame	material: plastic finish: none
• Membrane	colour: black
• Suspension	material: paper
• Dust cap	material: plastic colour: black
• Gasket	none

### TECHNICAL DATA

	version				unit
	X4	X8	X15	X25	
<b>Unmounted</b>					
Rated impedance	4	8	15	25	$\Omega$
Voice coil resistance	3.6	7.2	13.5	22.5	$\Omega$
Resonance frequency	130	130	130	130	Hz
Sweep voltage	2.64	3.74	5.12	6.61	V
Magnetic flux density	0.74	0.74	0.74	0.74	T
Loudspeaker mass	94	94	94	94	g
<b>Mounted</b>					
Characteristic sensitivity		87			db/w/m
Maximum noise power		3.5			W

3 x 6" Full Range Oval Loudspeaker

WD 36765 series

MECHANICAL DATA

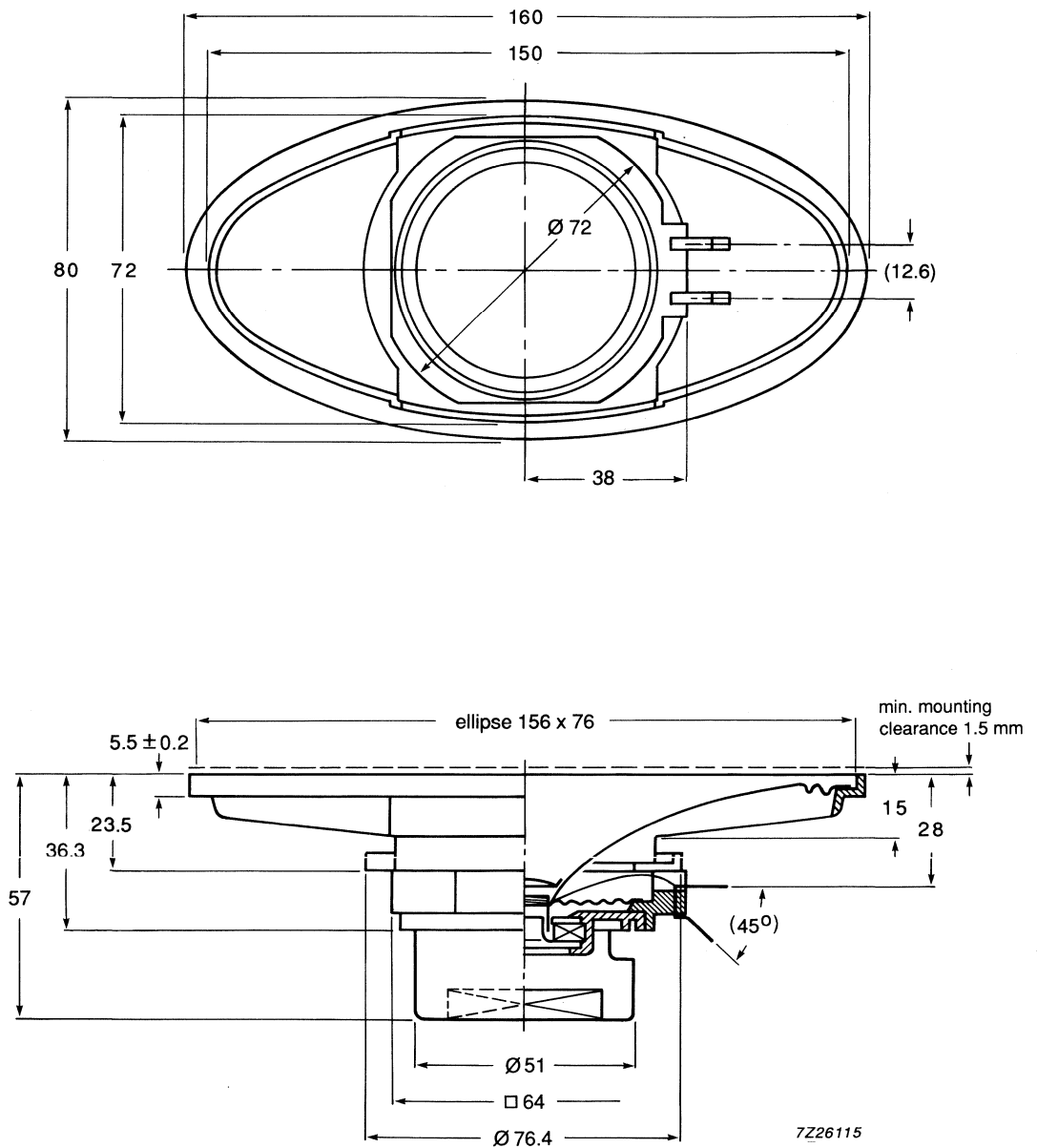
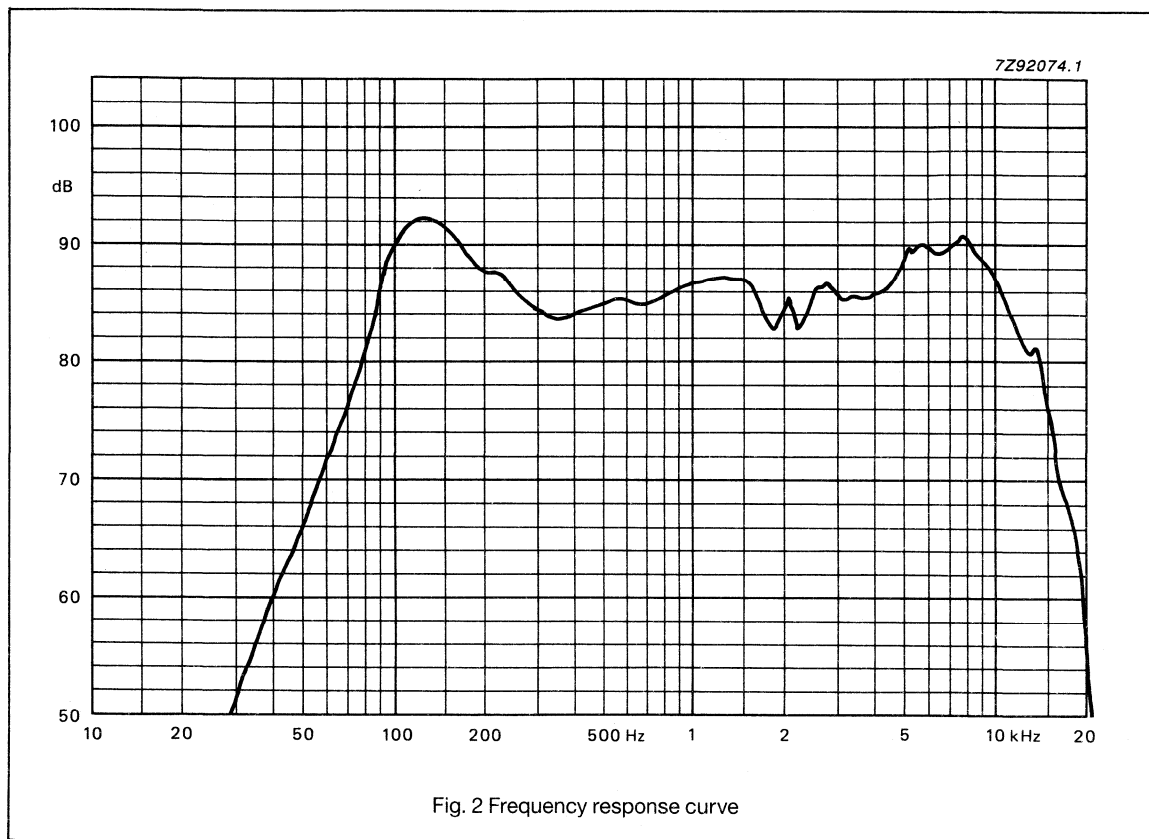


Fig. 1 Outline dimensions (mm)

**3 x 6" Full Range Oval Loudspeaker****WD 36765 series****FREQUENCY RESPONSE CURVES**

Frequency response curves have been measured on an axis at a distance of 1 m with 1 W input power.



Catalogue number: 2403 251 61001  
2403 251 61002  
2403 251 61003  
2403 251 61004

## Philips Components

Data sheet	
status	Product specification
date of issue	October 1989

# WD 36767 series

## 3 x 6" Full Range Oval Loudspeaker

### APPLICATION

Full range loudspeaker for video applications.

### DESCRIPTION

• Frame	material: plastic finish: none
• Membrane	colour: black
• Suspension	material: paper
• Dust cap	material: plastic colour: black
• Gasket	none

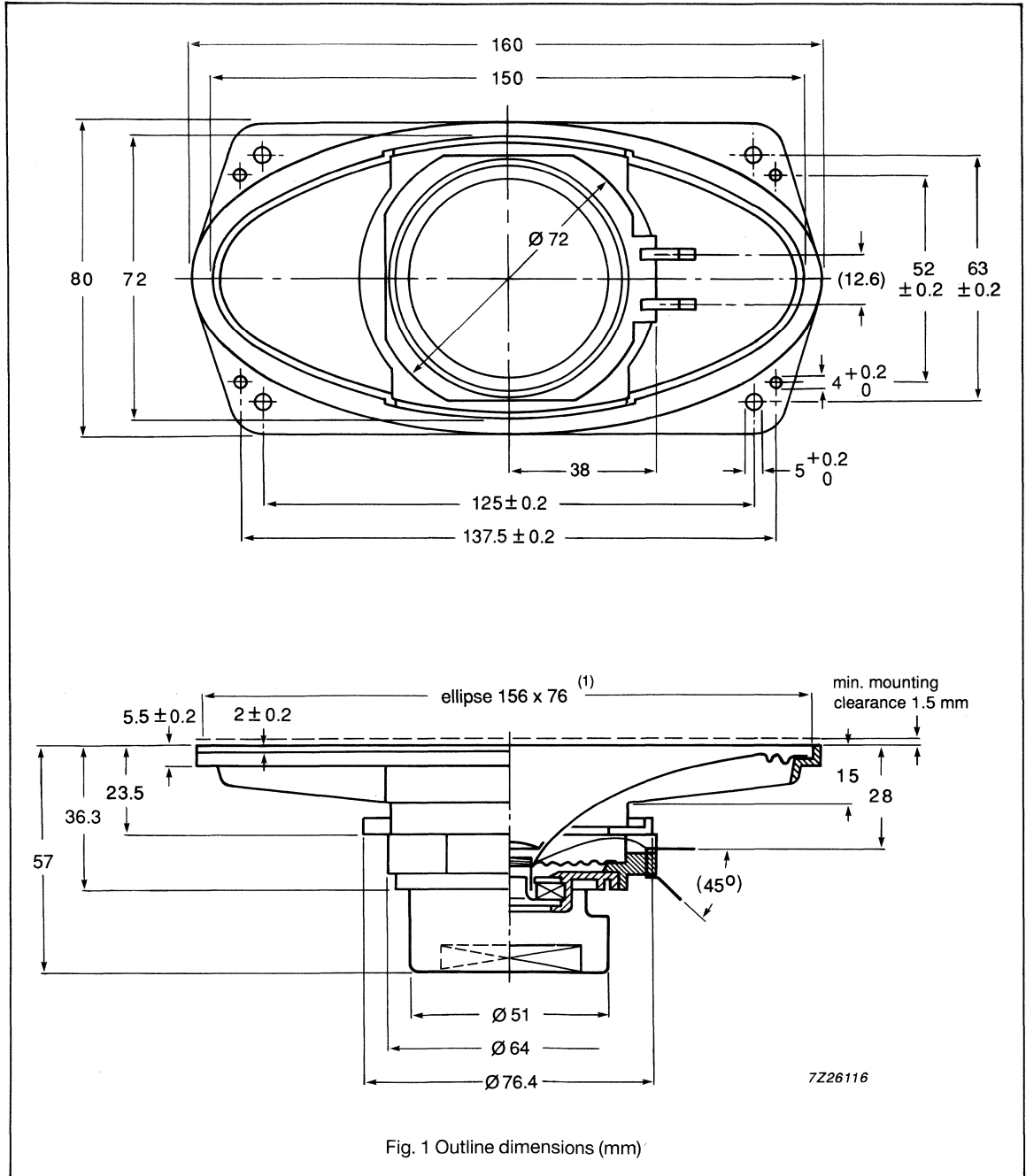
### TECHNICAL DATA

	version				unit
	X4	X8	X15	X25	
<b>Unmounted</b>					
Rated impedance	4	8	15	25	$\Omega$
Voice coil resistance	3.6	7.2	13.5	22.5	$\Omega$
Resonance frequency	130	130	130	130	Hz
Sweep voltage	2.64	3.74	5.12	6.61	V
Magnetic flux density	0.74	0.74	0.74	0.74	T
Loudspeaker mass	94	94	94	94	g
<b>Mounted</b>					
Characteristic sensitivity		87			db/w/m
Maximum noise power		3.5			W

3 x 6" Full Range Oval Loudspeaker

WD 36767 series

MECHANICAL DATA

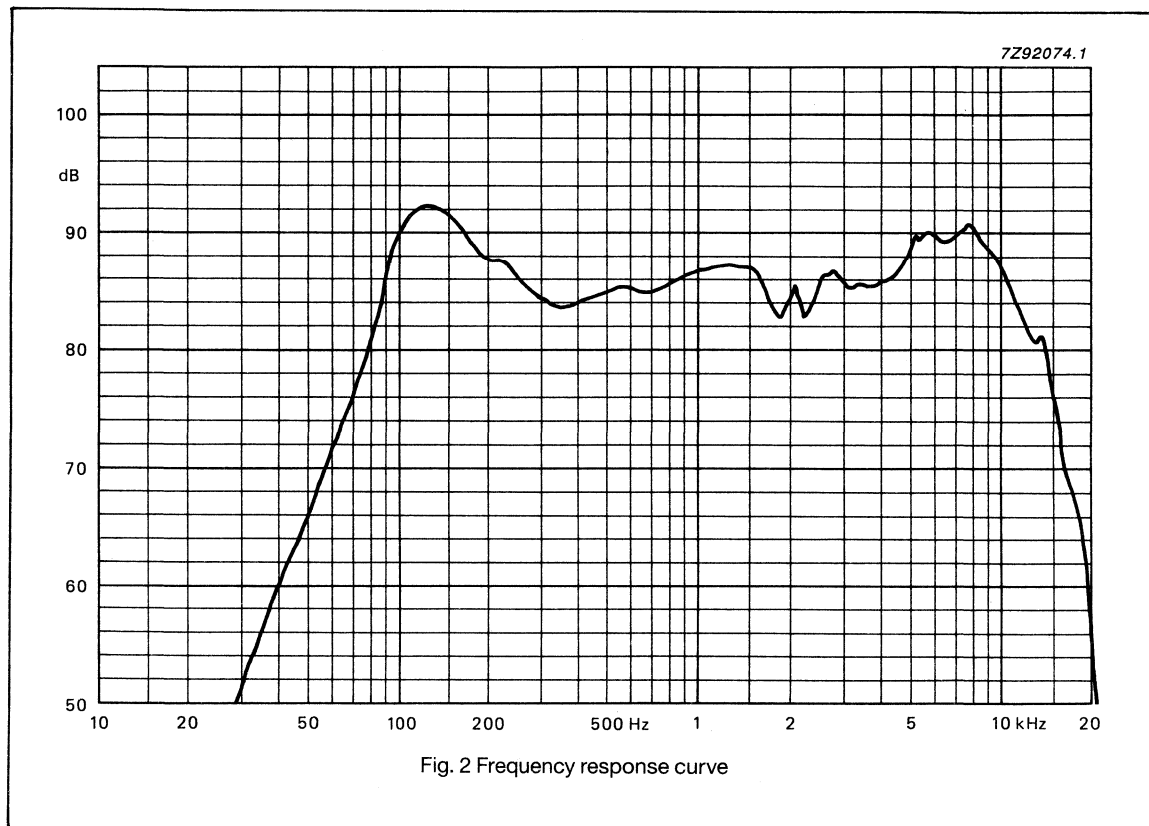


### 3 x 6" Full Range Oval Loudspeaker

### WD 36767 series

#### FREQUENCY RESPONSE CURVES

Frequency response curves have been measured on an axis at a distance of 1 m with 1 W input power.



- Catalogue number: 2403 251 61101
- 2403 251 61102
- 2403 251 61103
- 2403 251 61104



Data sheet	
status	Product specification
date of issue	May 1990

# WD 36925 series

## 3 x 6" Full Range Oval Loudspeaker

### APPLICATION

Full range loudspeaker for audio applications.

### DESCRIPTION

• Frame	material: plastic finish: none
• Membrane	colour: black
• Suspension	material: paper
• Dust cap	material: plastic colour: black
• Gasket	none

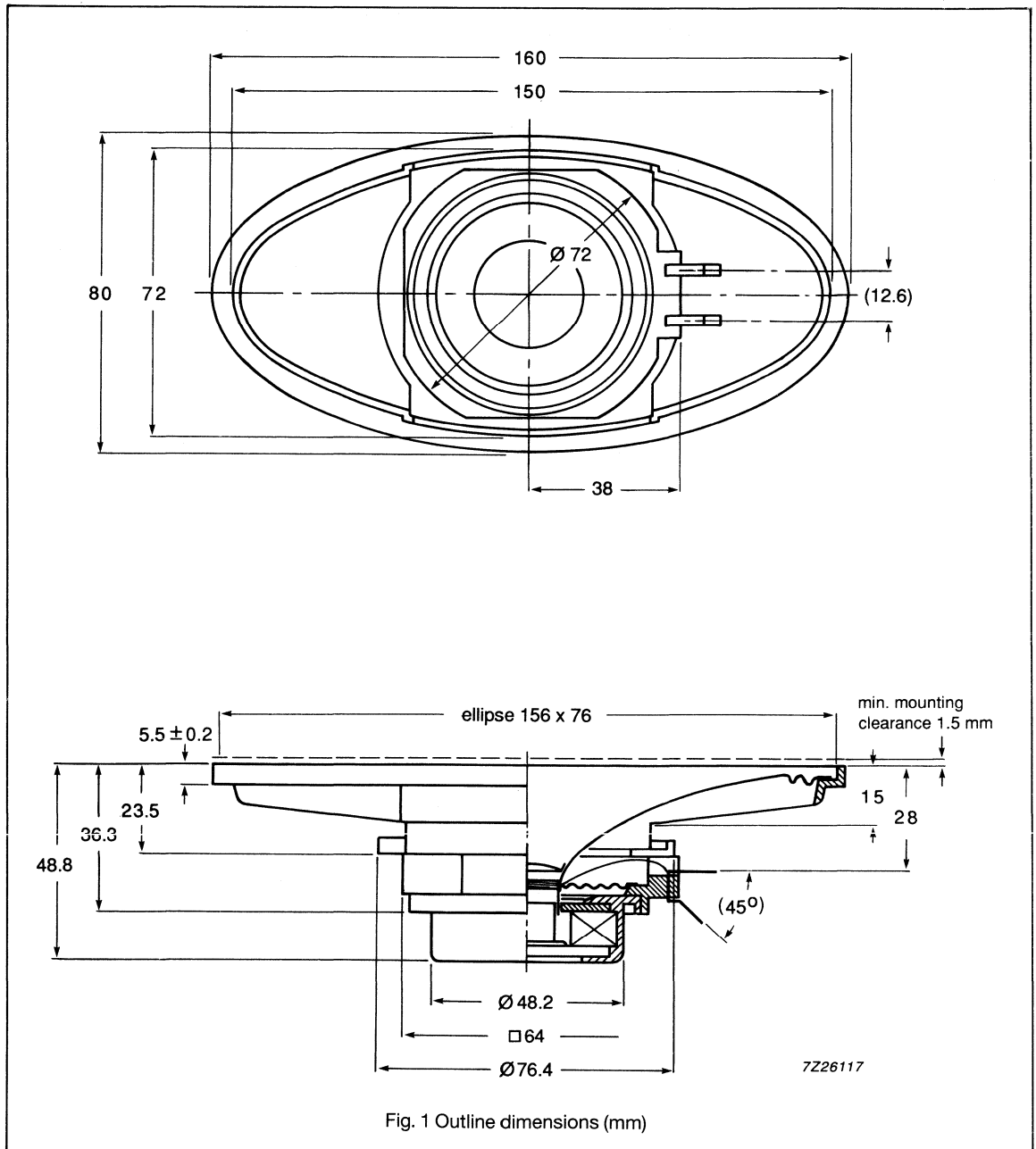
### TECHNICAL DATA

	version				unit
	X4	X8	X15	X25	
<b>Unmounted</b>					
Rated impedance	4	8	15	25	$\Omega$
Voice coil resistance	3.6	7.2	13.5	22.5	$\Omega$
Resonance frequency	130	130	130	130	Hz
Sweep voltage	3.46	4.9	6.7	8.66	V
Magnetic flux density	1.02	1.02	1.02	1.02	T
Loudspeaker mass	161	161	161	161	g
<b>Mounted</b>					
Characteristic sensitivity	90				dB/w/m
Maximum noise power	6.0				W

### 3 x 6" Full Range Oval Loudspeaker

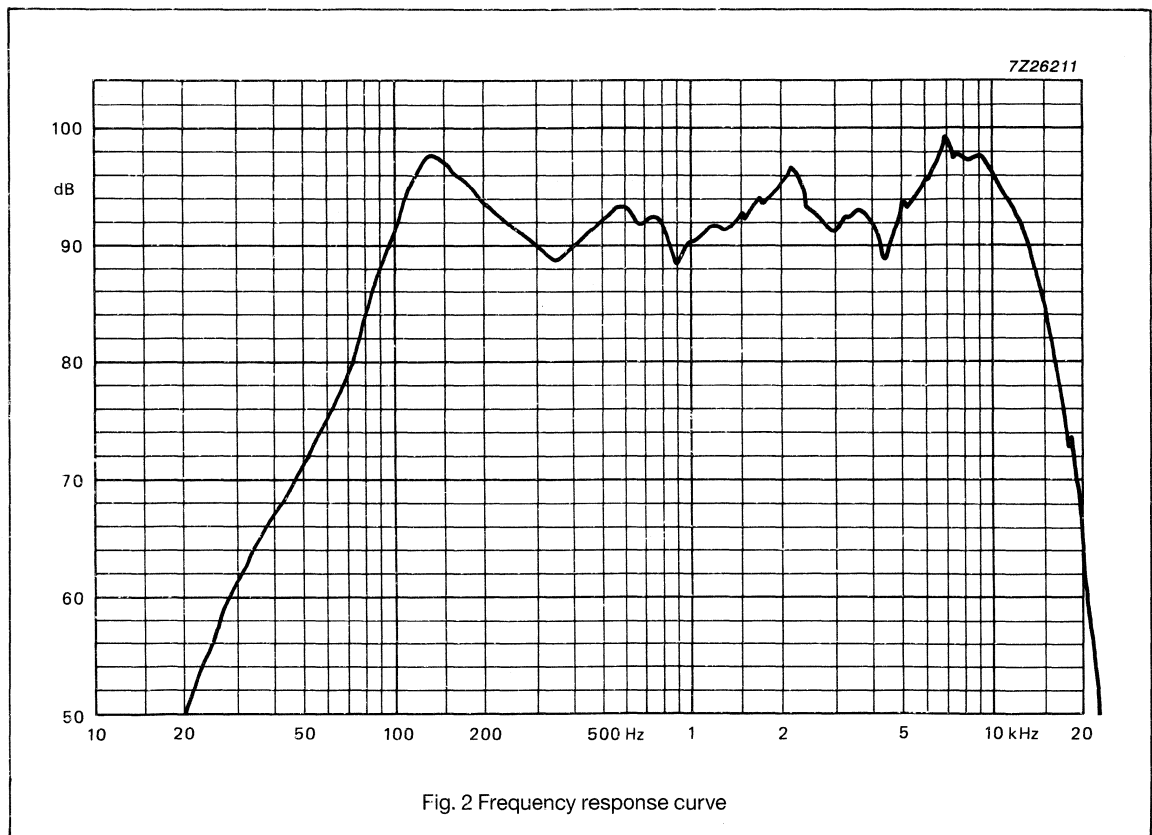
### WD 36925 series

#### MECHANICAL DATA



**3 x 6" Full Range Oval Loudspeaker****WD 36925 series****FREQUENCY RESPONSE CURVES**

Frequency response curves have been measured on an axis at a distance of 1 m with 1 W input power.



Catalogue number: 2403 253 60601  
2403 253 60602  
2403 253 60603  
2403 253 60604

## Philips Components

Data sheet	
status	Product specification
date of issue	October 1989

# WD 36927 series

## 3 x 6" Full Range Oval Loudspeaker

### APPLICATION

Full range loudspeaker for audio applications.

### DESCRIPTION

• Frame	material: plastic finish: none
• Membrane	colour: black
• Suspension	material: paper
• Dust cap	material: plastic colour: black
• Gasket	none

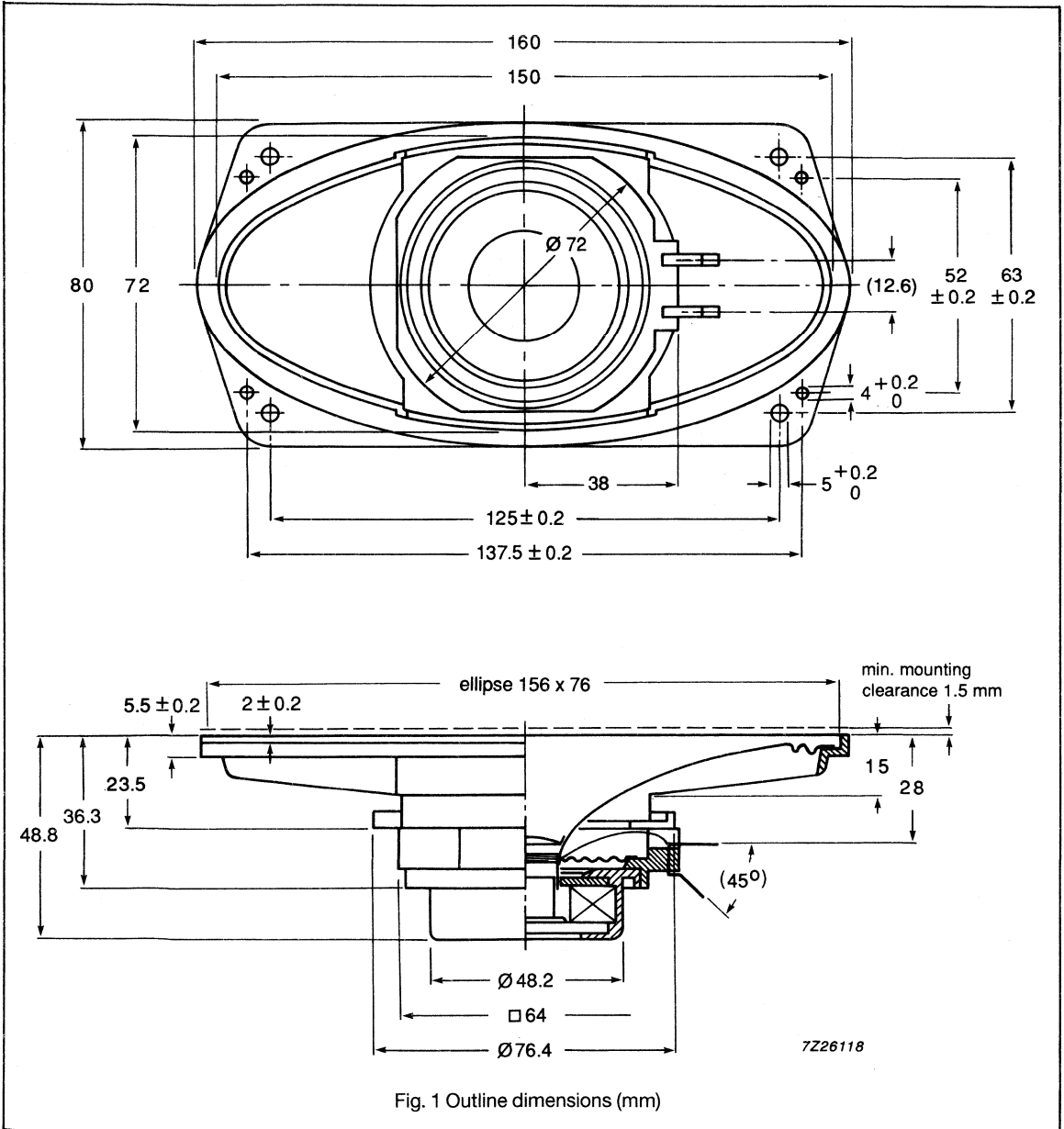
### TECHNICAL DATA

	version				unit
	X4	X8	X15	X25	
<b>Unmounted</b>					
Rated impedance	4	8	15	25	$\Omega$
Voice coil resistance	3.6	7.2	13.5	22.5	$\Omega$
Resonance frequency	130	130	130	130	Hz
Sweep voltage	3.46	4.9	6.7	8.66	V
Magnetic flux density	1.02	1.02	1.02	1.02	T
Loudspeaker mass	161	161	161	161	g
<b>Mounted</b>					
Characteristic sensitivity		90			dB/w/m
Maximum noise power		6.0			W

3 x 6" Full Range Oval Loudspeaker

WD 36927 series

MECHANICAL DATA



### 3 x 6" Full Range Oval Loudspeaker

### WD 36927 series

#### FREQUENCY RESPONSE CURVES

Frequency response curves have been measured on an axis at a distance of 1 m with 1 W input power.



Fig. 2 Frequency response curve

- Catalogue number: 2403 253 60701
- 2403 253 60702
- 2403 253 60703
- 2403 253 60704

<b>Data sheet</b>	
<b>status</b>	Product specification
<b>date of issue</b>	May 1990

# WD 36945 series

## 3 x 6" Full Range Oval Loudspeaker

**APPLICATION**

Full range loudspeaker for video applications.

**DESCRIPTION**

• Frame	material: plastic finish: none
• Membrane	colour: black
• Suspension	material: paper
• Dust cap	material: plastic colour: black
• Gasket	none

**TECHNICAL DATA**

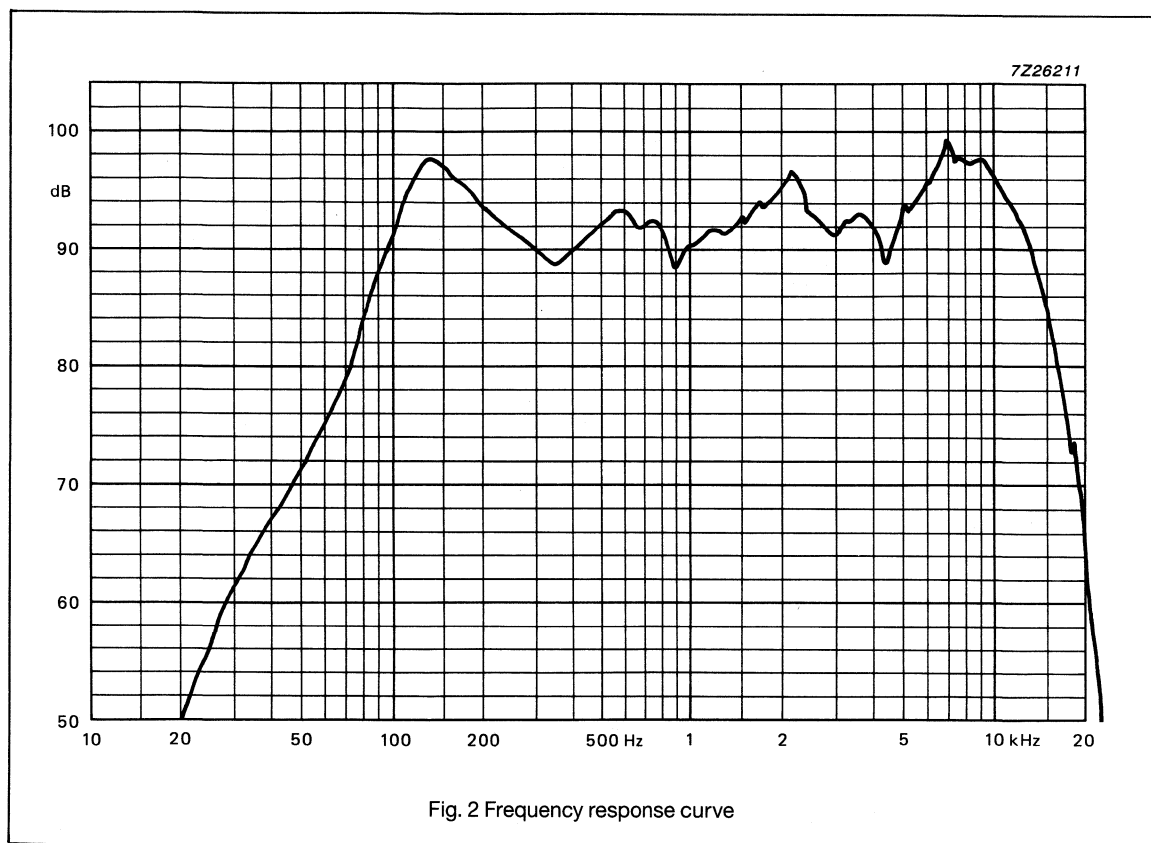
	version				unit
	X4	X8	X15	X25	
<b>Unmounted</b>					
Rated impedance	4	8	15	25	Ω
Voice coil resistance	3.6	7.2	13.5	22.5	Ω
Resonance frequency	130	130	130	130	Hz
Sweep voltage	3.46	4.9	6.7	8.66	V
Magnetic flux density	1.02	1.02	1.02	1.02	T
Loudspeaker mass	165	165	165	165	g
<b>Mounted</b>					
Characteristic sensitivity		90			dB/w/m
Maximum noise power		6.0			W





**3 x 6" Full Range Oval Loudspeaker****WD 36945 series****FREQUENCY RESPONSE CURVES**

Frequency response curves have been measured on an axis at a distance of 1 m with 1 W input power.



Catalogue number: 2403 253 60801  
2403 253 60802  
2403 253 60803  
2403 253 60804

**Philips Components**

<b>Data sheet</b>	
<b>status</b>	Product specification
<b>date of issue</b>	October 1989

# WD 36947 series

## 3 x 6" Full Range Oval Loudspeaker

**APPLICATION**

Full range loudspeaker for video applications.

**DESCRIPTION**

• Frame	material: plastic finish: none
• Membrane	colour: black
• Suspension	material: paper
• Dust cap	material: plastic colour: black
• Gasket	none

**TECHNICAL DATA**

	version				unit	
	X4	X8	X15	X25		
<b>Unmounted</b>						
Rated impedance	4	8	15	25	$\Omega$	
Voice coil resistance	3.6	7.2	13.5	22.5	$\Omega$	
Resonance frequency	130	130	130	130	Hz	
Sweep voltage	3.46	4.9	6.7	8.66	V	
Magnetic flux density	1.02	1.02	1.02	1.02	T	
Loudspeaker mass	165	165	165	165	g	
<b>Mounted</b>						
Characteristic sensitivity					90	dB/w/m
Maximum noise power					6.0	W



**3 x 6" Full Range Oval Loudspeaker****WD 36947 series****FREQUENCY RESPONSE CURVES**

Frequency response curves have been measured on an axis at a distance of 1 m with 1 W input power.



Catalogue number: 2403 253 60901  
2403 253 60902  
2403 253 60903  
2403 253 60904

Data sheet	
status	Product specification
date of issue	October 1989

# WD 36965 series

## 3 x 6" Full Range Oval Loudspeaker

**APPLICATION**

Full range loudspeaker for video applications.

**DESCRIPTION**

• Frame	material: plastic finish: none
• Membrane	colour: black
• Suspension	material: paper
• Dust cap	material: plastic colour: black
• Gasket	none

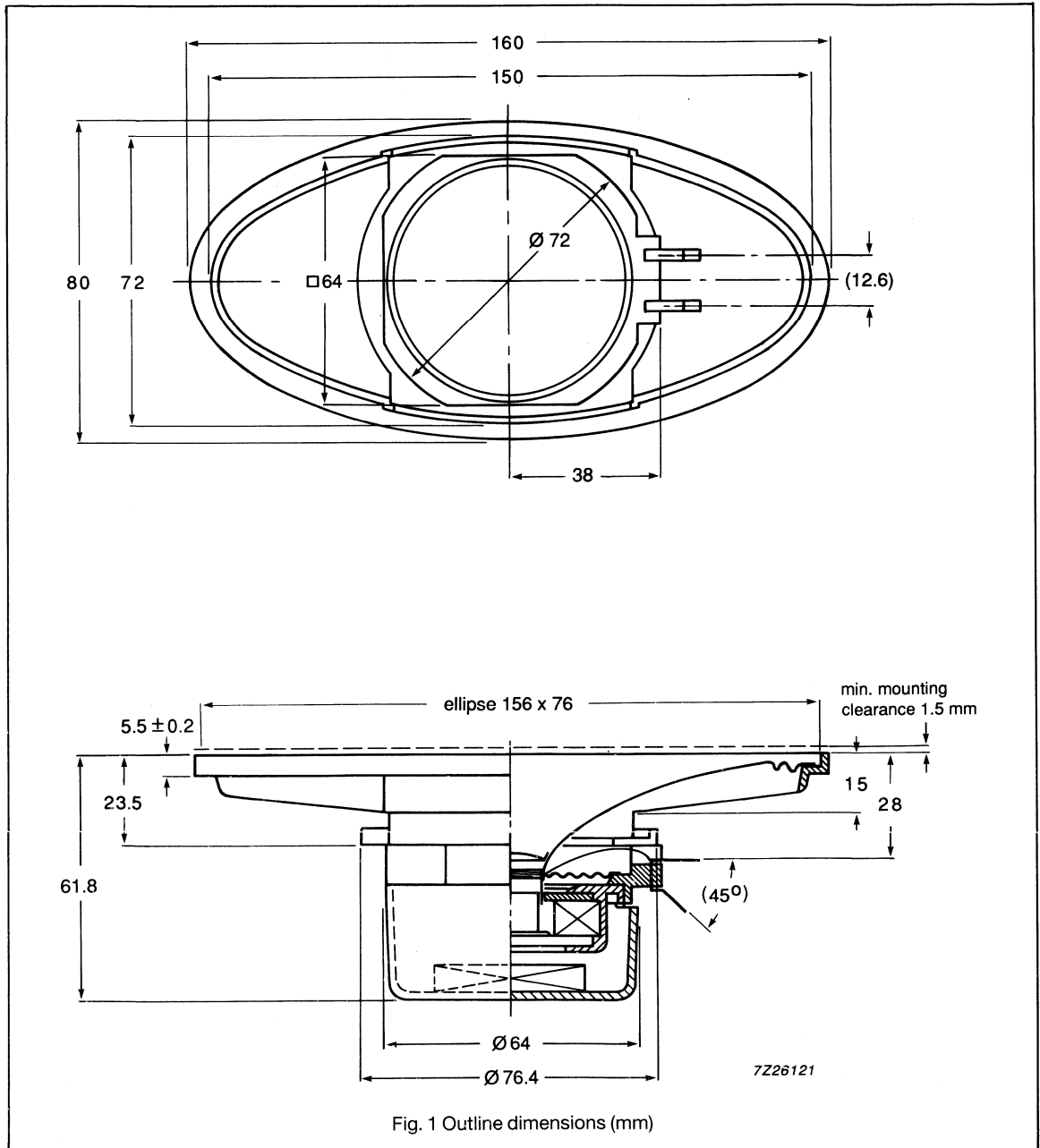
**TECHNICAL DATA**

	version				unit	
	X4	X8	X15	X25		
<b>Unmounted</b>						
Rated impedance	4	8	15	25	Ω	
Voice coil resistance	3.6	7.2	13.5	22.5	Ω	
Resonance frequency	130	130	130	130	Hz	
Sweep voltage	3.46	4.9	6.7	8.66	V	
Magnetic flux density	1.02	1.02	1.02	1.02	T	
Loudspeaker mass	177	177	177	177	g	
<b>Mounted</b>						
Characteristic sensitivity					90	dB/w/m
Maximum noise power					6.0	W

### 3 x 6" Full Range Oval Loudspeaker

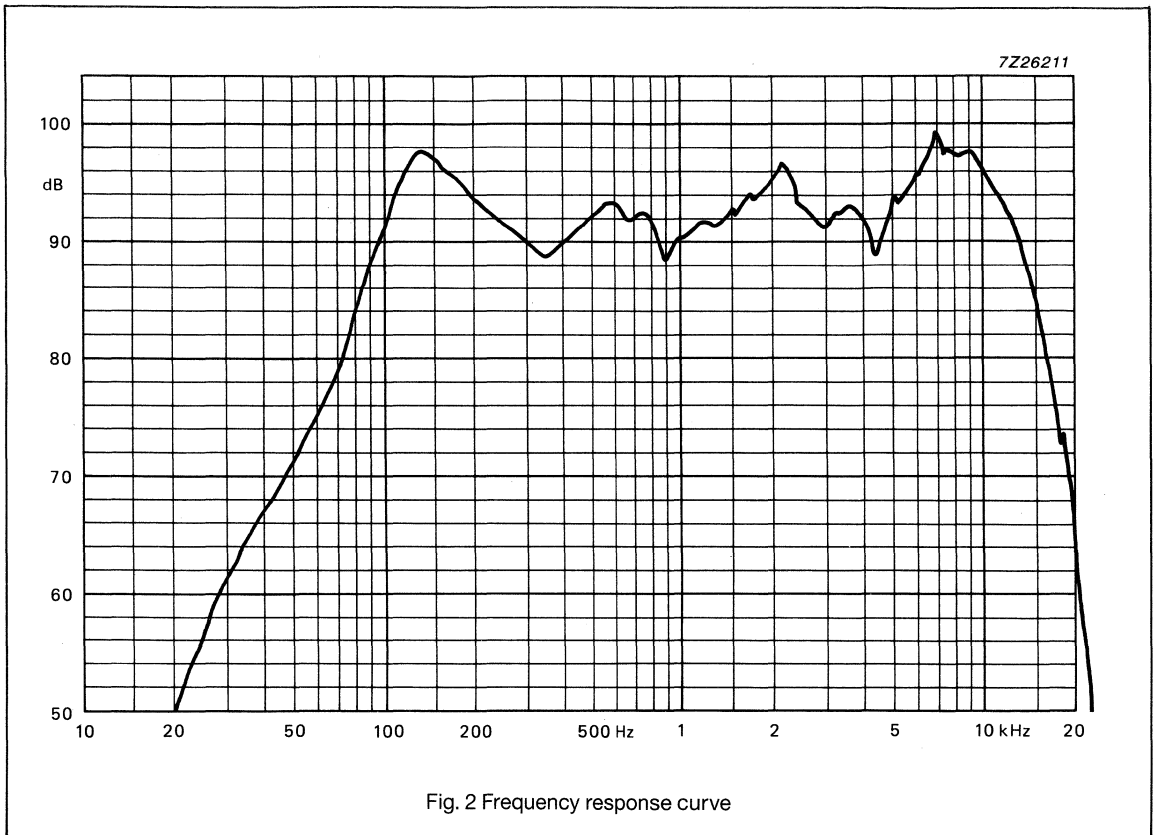
### WD 36965 series

#### MECHANICAL DATA



**3 x 6" Full Range Oval Loudspeaker****WD 36965 series****FREQUENCY RESPONSE CURVES**

Frequency response curves have been measured on an axis at a distance of 1 m with 1 W input power.



Catalogue number: 2403 253 61001  
2403 253 61002  
2403 253 61003  
2403 253 61004

**Philips Components**

<b>Data sheet</b>	
<b>status</b>	Product specification
<b>date of issue</b>	October 1989

# WD 36967 series

## 3 x 6" Full Range Oval Loudspeaker

**APPLICATION**

Full range loudspeaker for video applications.

**DESCRIPTION**

• Frame	material: plastic finish: none
• Membrane	colour: black
• Suspension	material: paper
• Dust cap	material: plastic colour: black
• Gasket	none

**TECHNICAL DATA**

	version				unit	
	X4	X8	X15	X25		
<b>Unmounted</b>						
Rated impedance	4	8	15	25	Ω	
Voice coil resistance	3.6	7.2	13.5	22.5	Ω	
Resonance frequency	130	130	130	130	Hz	
Sweep voltage	3.46	4.9	6.7	8.66	V	
Magnetic flux density	1.02	1.02	1.02	1.02	T	
Loudspeaker mass	177	177	177	177	g	
<b>Mounted</b>						
Characteristic sensitivity					90	dB/w/m
Maximum noise power					6.0	W



3 x 6" Full Range Oval Loudspeaker

WD 36967 series

MECHANICAL DATA

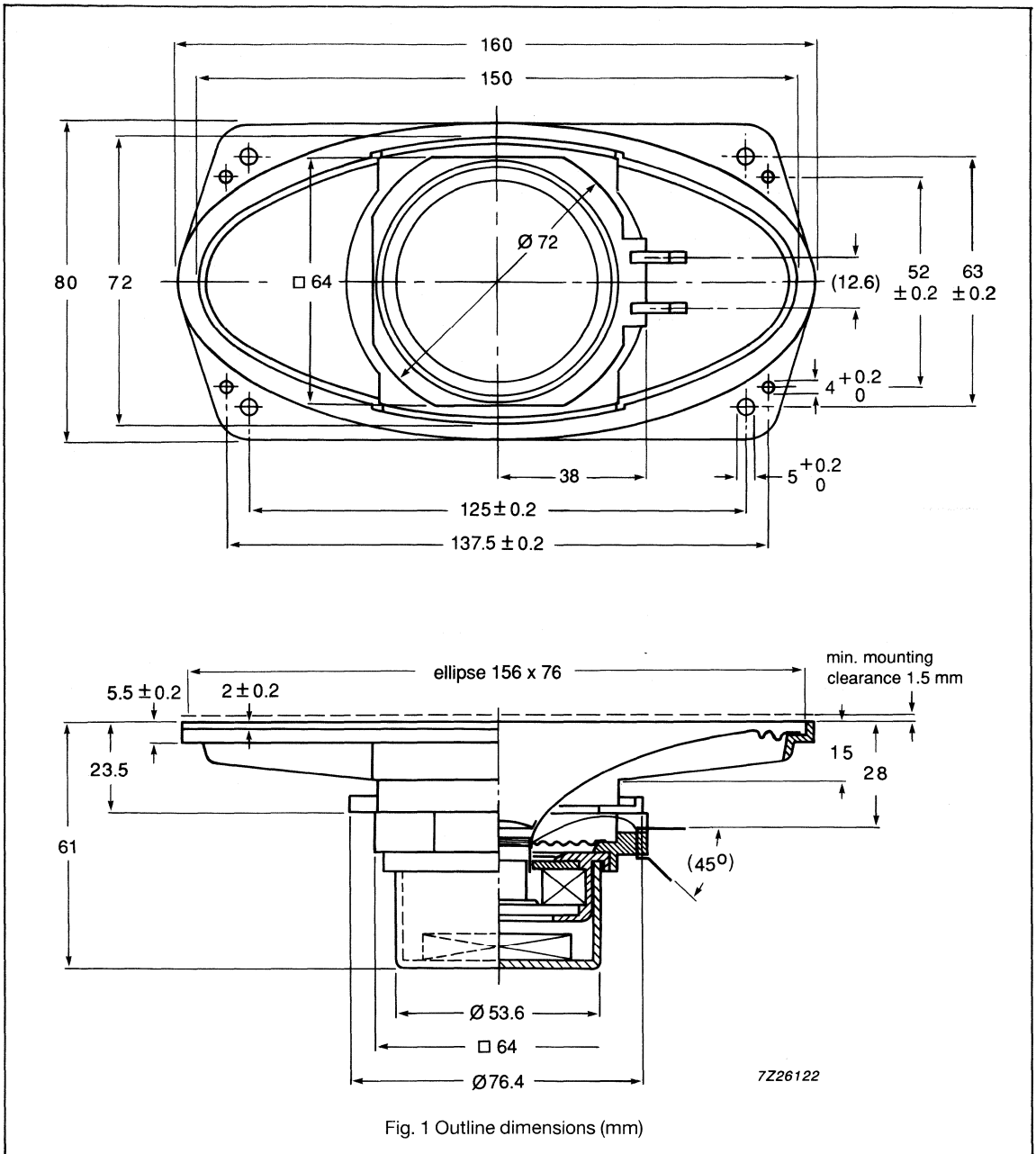


Fig. 1 Outline dimensions (mm)

**3 x 6" Full Range Oval Loudspeaker****WD 36967 series****FREQUENCY RESPONSE CURVES**

Frequency response curves have been measured on an axis at a distance of 1 m with 1 W input power.



Catalogue number: 2403 253 61101  
2403 253 61102  
2403 253 61103  
2403 253 61104

**Philips Components**

Data sheet	
status	Product specification
date of issue	May 1990

# AD 36901 series

## 3 x 6" Full Range Oval Loudspeaker

**APPLICATION**

Full range video loudspeaker.

**DESCRIPTION**

- |              |  |
|--------------|--|
| • Frame      | material: steel<br>finish: zinc yellow |
| • Membrane   | colour: black                          |
| • Suspension | material: textile                      |
| • Dust cap   | material: mylar<br>colour: black       |
| • Gasket     | : none                                 |

**TECHNICAL DATA**

	version		unit
	/X8	/X15	
<b>Unmounted</b>			
Rated impedance	8	15	Ω
Voice coil resistance	7	13.2	Ω
Resonance frequency		95	Hz
Sweep voltage	5.6	7.75	V
Magnetic flux density		0.97	T
Loudspeaker mass		357	g
<b>Mounted</b>			
Characteristic sensitivity		86.5	dB/W/m
Maximum noise power (PHC)		8.0	W

3 x 6" Full Range Oval Loudspeaker

AD 36901 series

MECHANICAL DATA

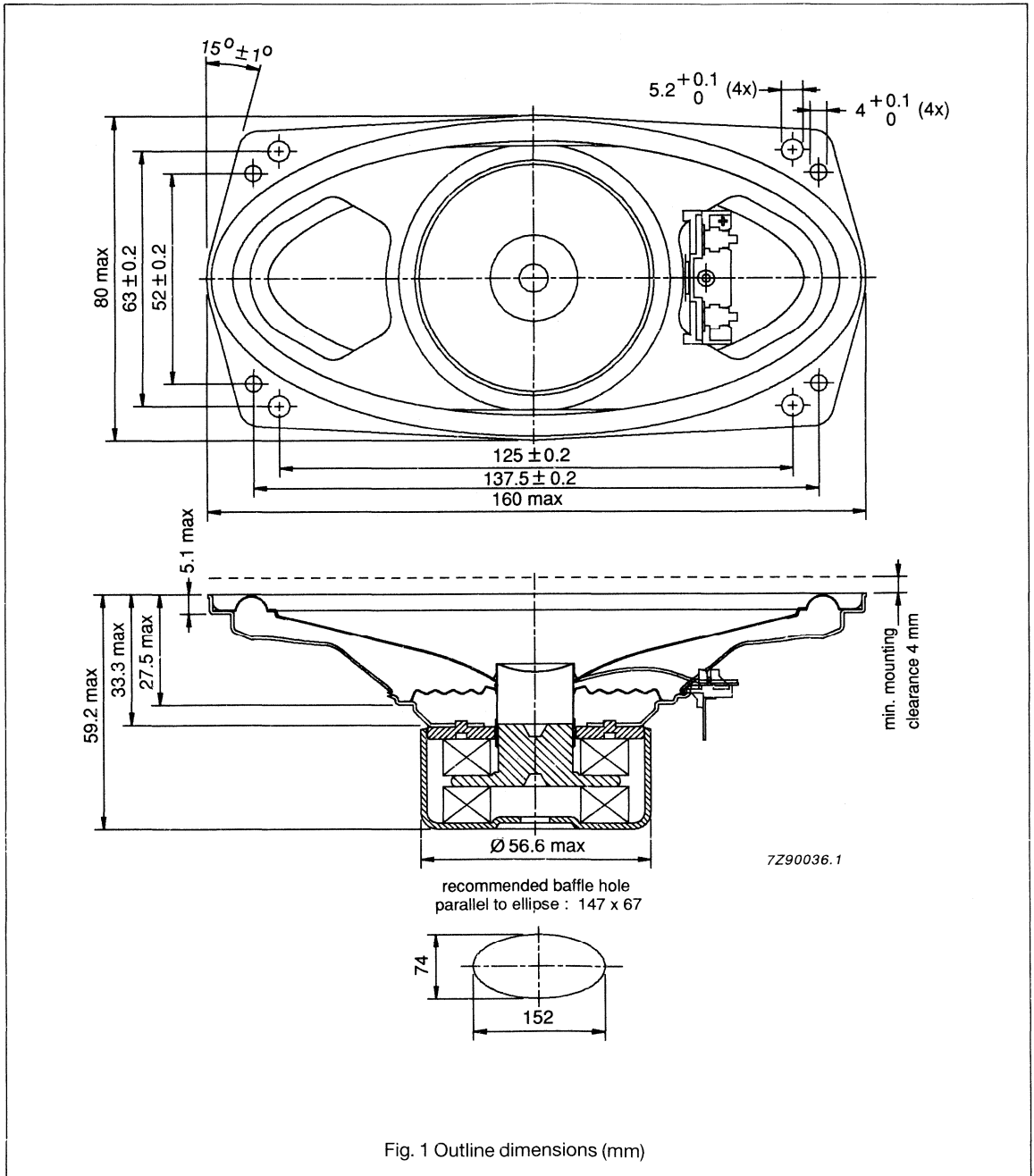


Fig. 1 Outline dimensions (mm)

**3 x 6" Full Range Oval Loudspeaker****AD 36901 series****FREQUENCY RESPONSE CURVES**

Frequency response curves have been measured on an axis at a distance of 1 m with 1 W input power.



Catalogue number: 2422 257 29202  
2422 257 29203

Data sheet	
status	Product specification
date of issue	May 1990

# 00 36400/X4K

## 3 x 6" Full Range Oval Loudspeaker

### APPLICATION

Full range audio loudspeaker.

### DESCRIPTION

• Frame	material: steel finish: zinc black
• Membrane	colour: black
• Suspension	material: textile
• Dust cap	material: mylar colour: black
• Gasket	material: foam position: front

### TECHNICAL DATA

<b>Unmounted</b>		
Rated impedance	4	Ω
Voice coil resistance	3.4	Ω
Resonance frequency	100	Hz
Sweep voltage	6.3	V
Magnetic flux density	1.15	T
Loudspeaker mass	350	g
<b>Mounted</b>		
Characteristic sensitivity	88.5	dB/W/m
Maximum noise power (PHC)	15.0	W

3 x 6" Full Range Oval Loudspeaker

00 36400/X4K

MECHANICAL DATA

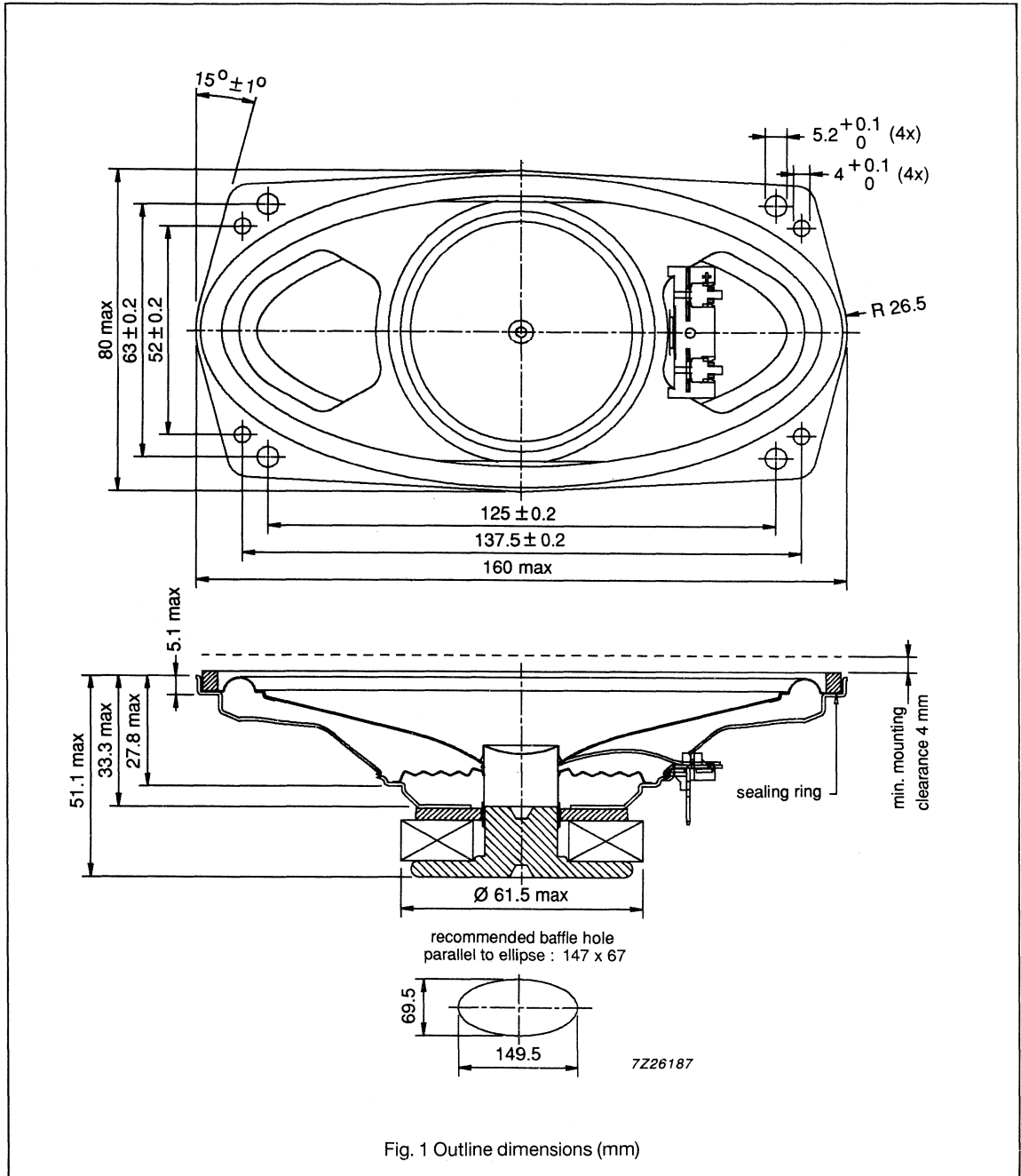
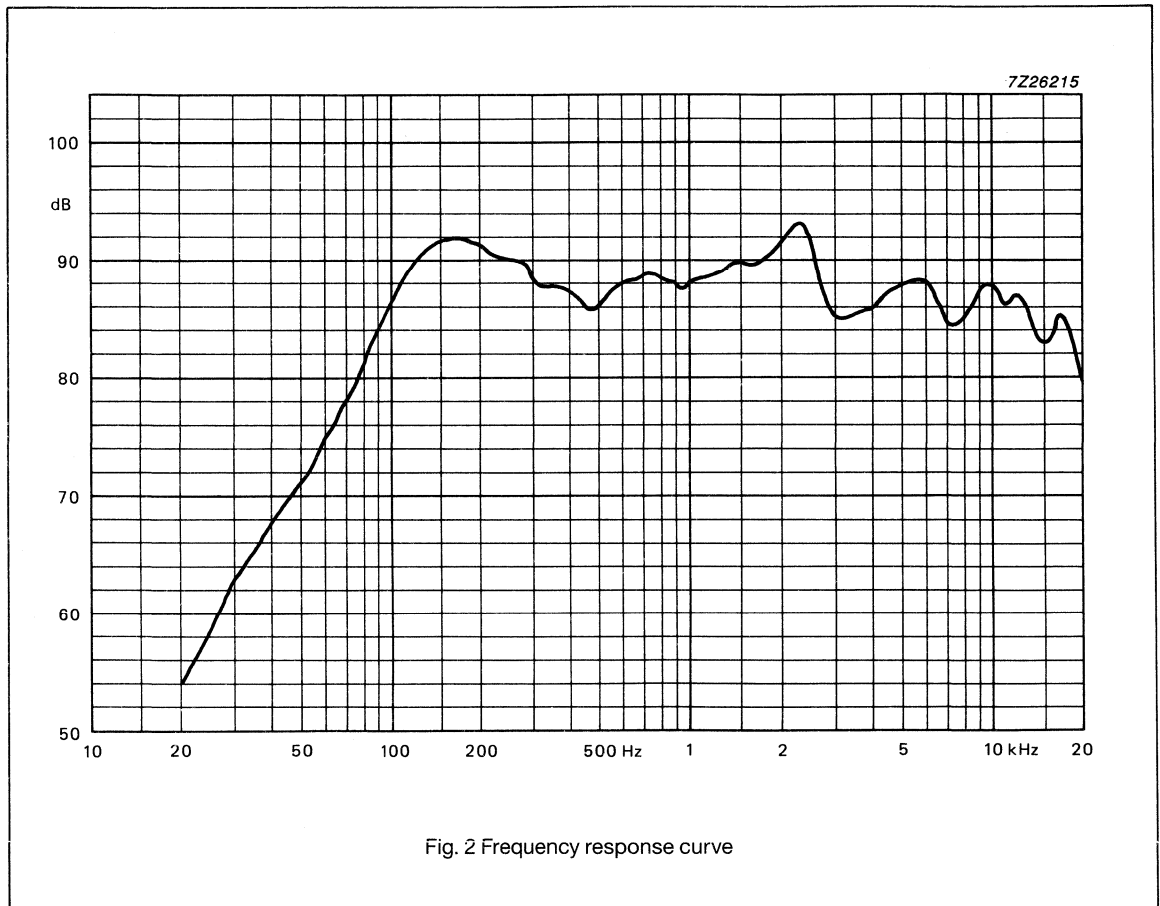


Fig. 1 Outline dimensions (mm)

**3 x 6" Full Range Oval Loudspeaker****00 36400/X4K****FREQUENCY RESPONSE CURVES**

Frequency response curves have been measured on an axis at a distance of 1 m with 1 W input power.



Catalogue number: 2404 257 29701



**Philips Components**

Data sheet	
status	Product specification
date of issue	November 1989

**AD 46905/X4SA****3 1/2 x 6" Full Range Oval Loudspeaker****APPLICATION**

Full range video loudspeaker.

**DESCRIPTION**

• Frame	material: steel finish: zinc yellow
• Membrane	colour: black
• Suspension	material: paper
• Dust cap	material: mylar colour: black
• Gasket	material: foam position: front

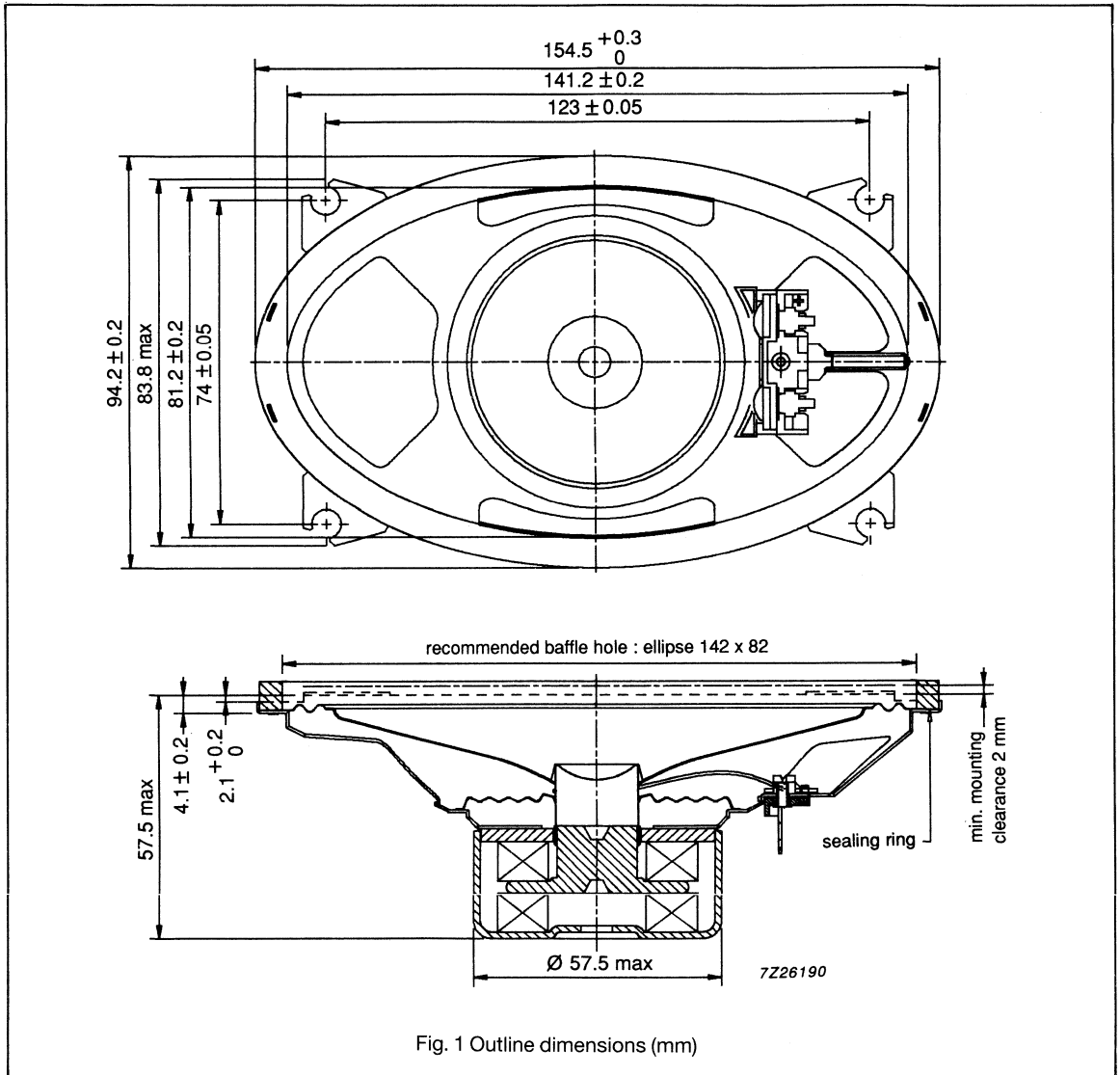
**TECHNICAL DATA**

<b>Unmounted</b>		
Rated impedance	4	$\Omega$
Voice coil resistance	3.2	$\Omega$
Resonance frequency	130	Hz
Sweep voltage	3.8	V
Magnetic flux density	0.99	T
Loudspeaker mass	341	g
<b>Mounted</b>		
Characteristic sensitivity	90	dB/W/m
Maximum noise power (PHC)	7.0	W

3 1/2 x 6" Full Range Oval Loudspeaker

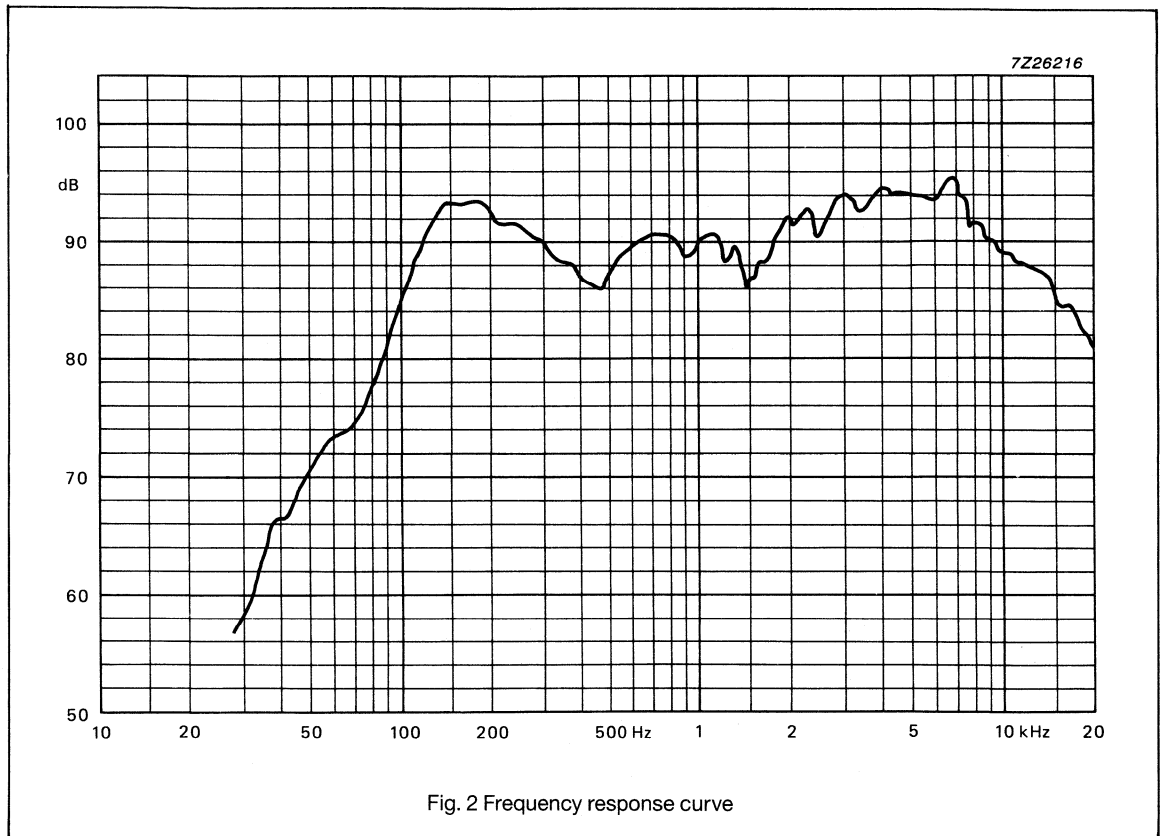
AD 46905/X4SA

MECHANICAL DATA



**3 1/2 x 6" Full Range Oval Loudspeaker****AD 46905/X4SA****FREQUENCY RESPONSE CURVES**

Frequency response curves have been measured on an axis at a distance of 1 m with 1 W input power.



Catalogue number: 2422 257 20601

**Philips Components**

Data sheet	
status	Product specification
date of issue	May 1990

# AD 46420/X4

## 3 1/2 x 6" Full Range Oval Loudspeaker

**APPLICATION**

Full range audio loudspeaker.

**DESCRIPTION**

• Frame	material: steel finish: zinc yellow
• Membrane	colour: black
• Suspension	material: paper
• Dust cap	material: mylar colour: black
• Gasket	: none

**TECHNICAL DATA**

<b>Unmounted</b>		
Rated impedance	4	Ω
Voice coil resistance	3.2	Ω
Resonance frequency	120	Hz
Sweep voltage	4.0	V
Magnetic flux density	1.10	T
Loudspeaker mass	269	g
<b>Mounted</b>		
Characteristic sensitivity	91	dB/W/m
Maximum noise power (PHC)	8.0	W

3 1/2 x 6" Full Range Oval Loudspeaker

AD 46420/X4

MECHANICAL DATA

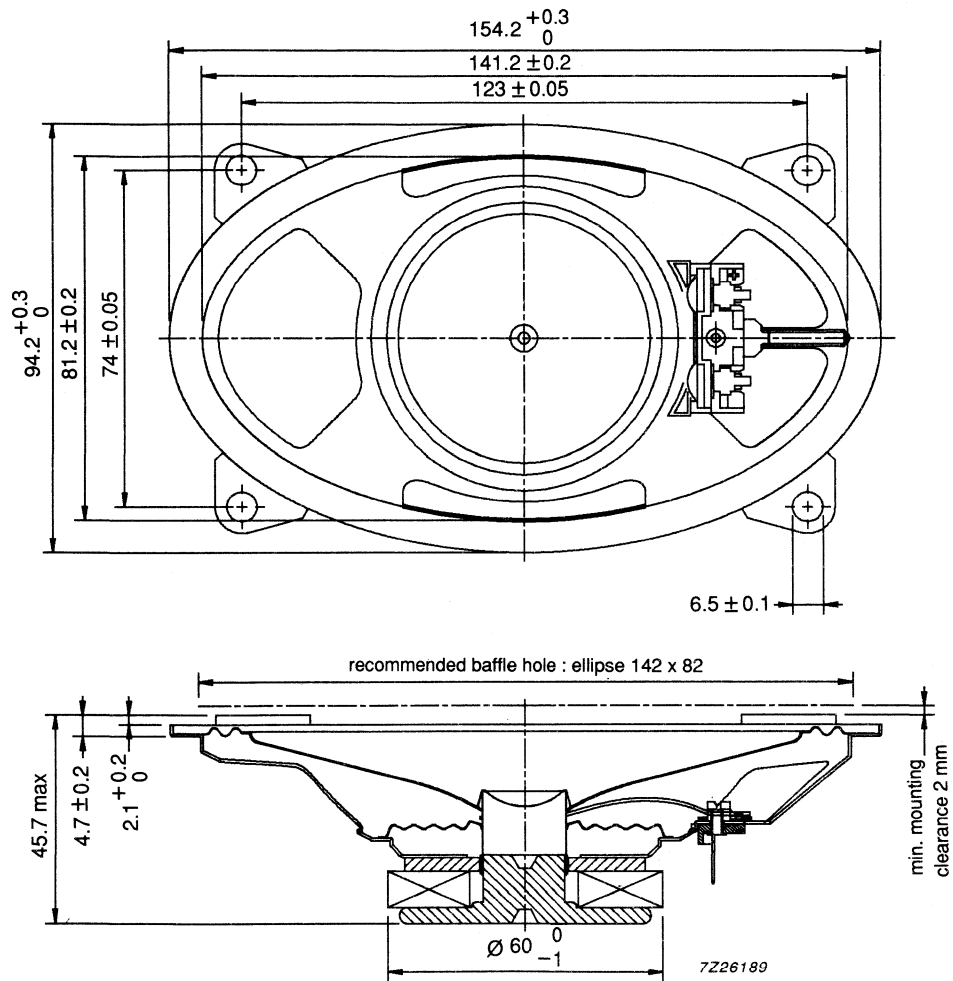


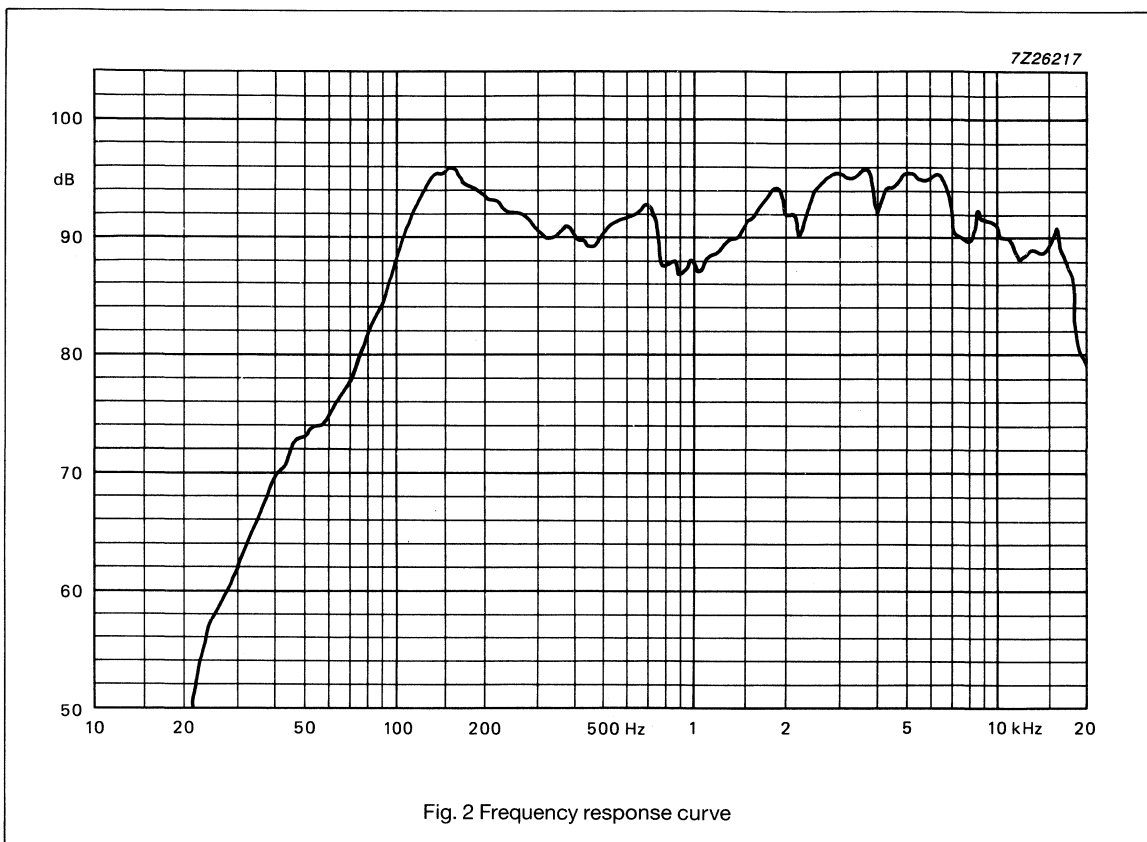
Fig. 1 Outline dimensions (mm)

### 3 1/2 x 6" Full Range Oval Loudspeaker

**AD 46420/X4**

#### FREQUENCY RESPONSE CURVES

Frequency response curves have been measured on an axis at a distance of 1 m with 1 W input power.



Catalogue number: 2422 257 20213

## Philips Components

Data sheet	
status	Product specification
date of issue	October 1989

# WD 46720 series

## 4 x 6" Full Range Oval Loudspeaker

### APPLICATION

Full range loudspeaker for audio applications.

### DESCRIPTION

• Frame	material: plastic finish: none
• Membrane	colour: black
• Suspension	material: paper
• Dust cap	material: plastic colour: black
• Gasket	none

### TECHNICAL DATA

	version				unit
	X4	X8	X15	X25	
<b>Unmounted</b>					
Rated impedance	4	8	15	25	$\Omega$
Voice coil resistance	3.6	7.2	13.5	22.5	$\Omega$
Resonance frequency	130	130	130	130	Hz
Sweep voltage	2.44	3.46	4.74	6.12	V
Magnetic flux density	0.74	0.74	0.74	0.74	T
Loudspeaker mass	84	84	84	84	g
<b>Mounted</b>					
Characteristic sensitivity		88			dB/W/m
Maximum noise power		3.0			W

4 x 6" Full Range Oval Loudspeaker

WD 46720 series

MECHANICAL DATA

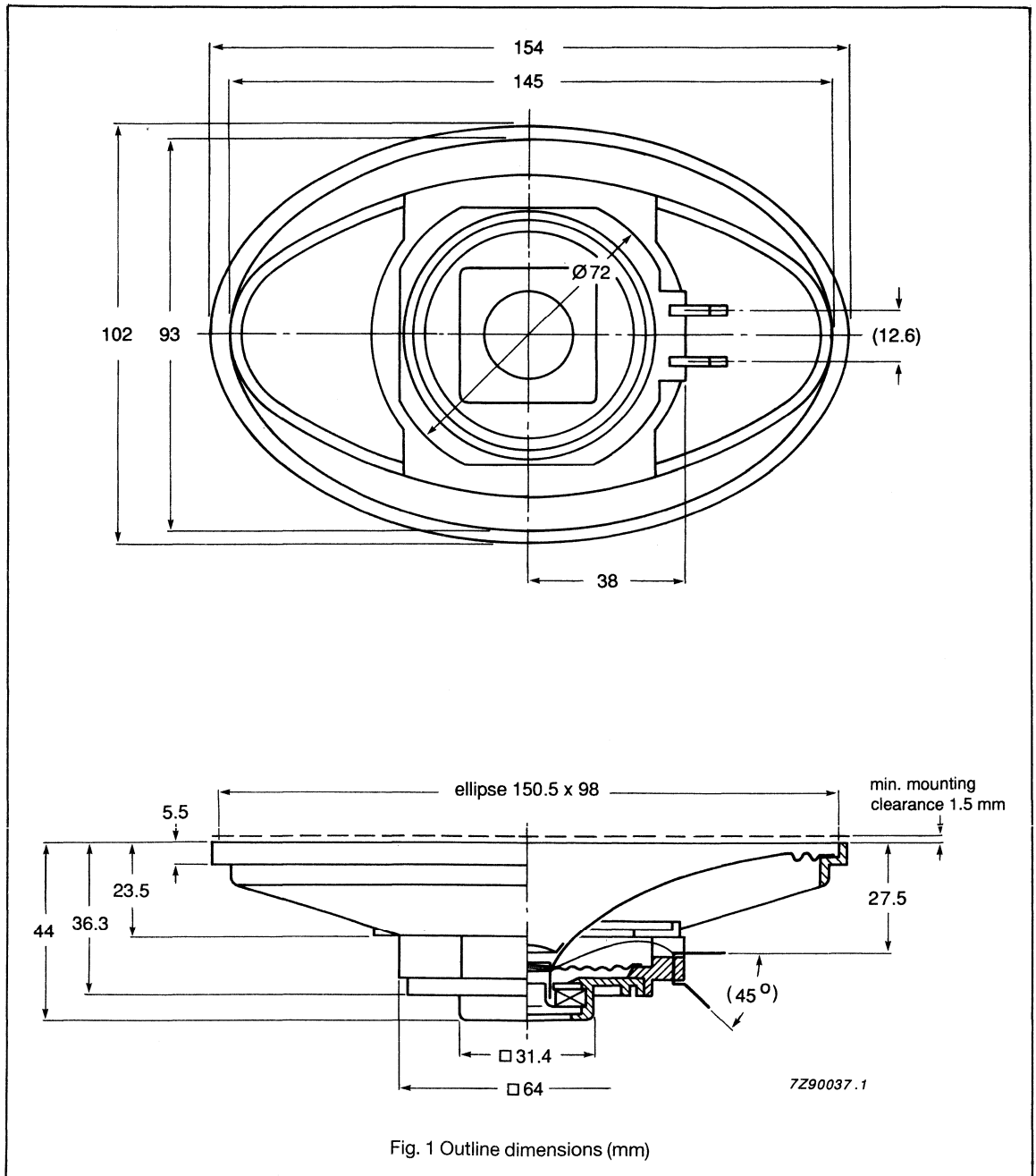
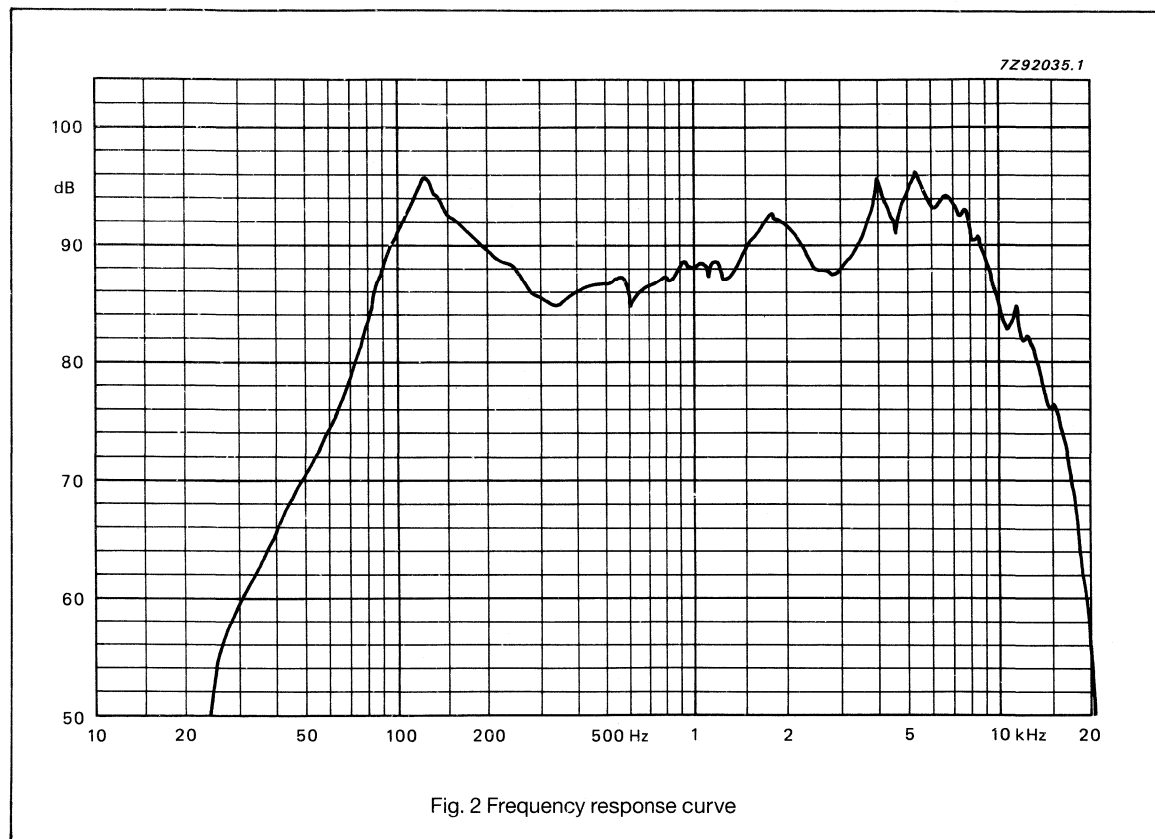


Fig. 1 Outline dimensions (mm)



**4 x 6" Full Range Oval Loudspeaker****WD 46720 series****FREQUENCY RESPONSE CURVES**

Frequency response curves have been measured on an axis at a distance of 1 m with 1 W input power.



Catalogue number: 2403 251 80001  
2403 251 80002  
2403 251 80003  
2403 251 80004

**Philips Components**

Data sheet	
status	Product specification
date of issue	October 1989

# WD 46721 series

## 4 x 6" Full Range Oval Loudspeaker

**APPLICATION**

Full range loudspeaker for audio applications.

**DESCRIPTION**

• Frame	material: plastic finish: none
• Membrane	colour: black
• Suspension	material: paper
• Dust cap	material: plastic colour: black
• Gasket	none

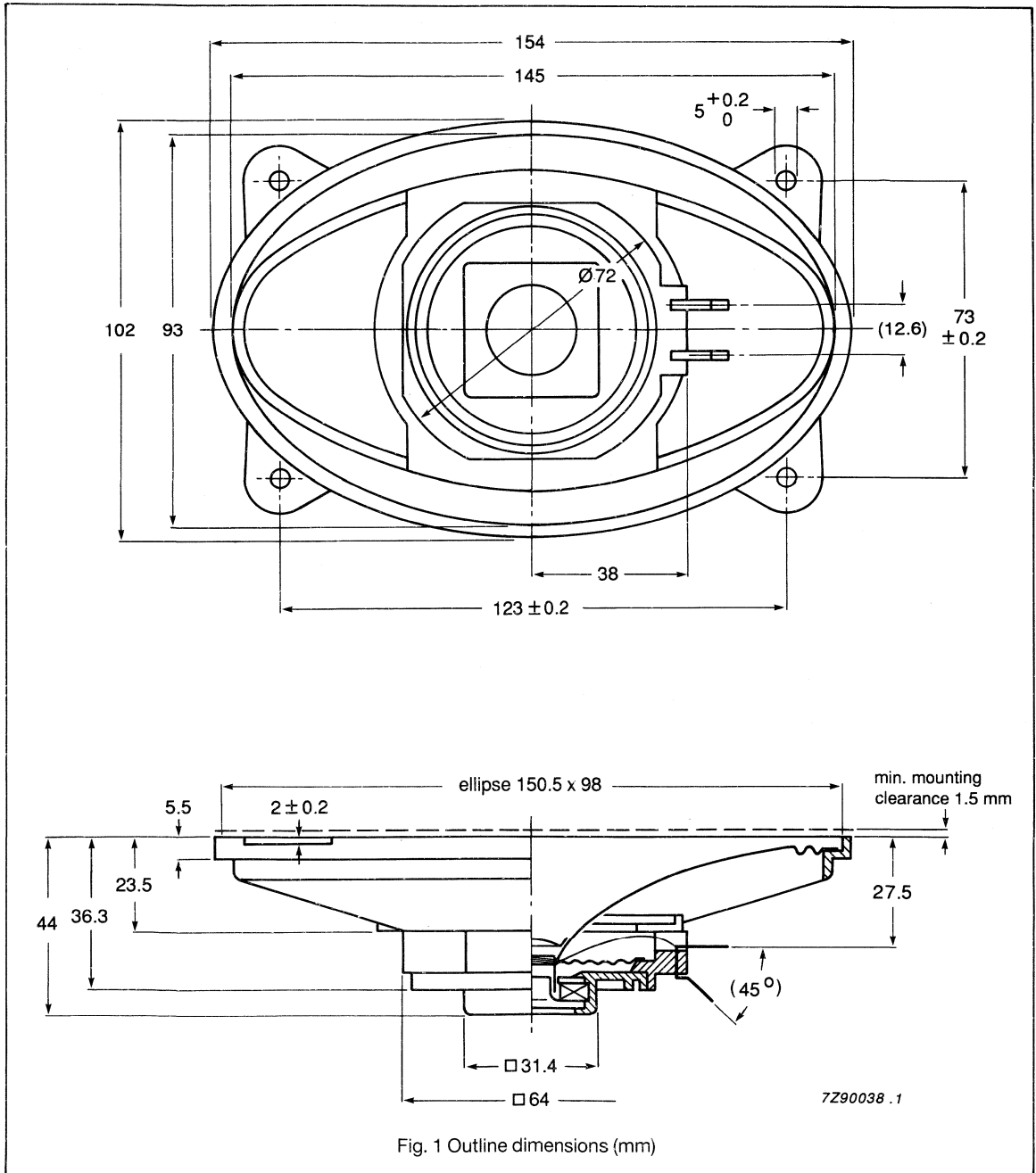
**TECHNICAL DATA**

	version				unit
	X4	X8	X15	X25	
<b>Unmounted</b>					
Rated impedance	4	8	15	25	Ω
Voice coil resistance	3.6	7.2	13.5	22.5	Ω
Resonance frequency	130	130	130	130	Hz
Sweep voltage	2.44	3.46	4.74	6.12	V
Magnetic flux density	0.74	0.74	0.74	0.74	T
Loudspeaker mass	84	84	84	84	g
<b>Mounted</b>					
Characteristic sensitivity		88			dB/W/m
Maximum noise power		3.0			W

4 x 6" Full Range Oval Loudspeaker

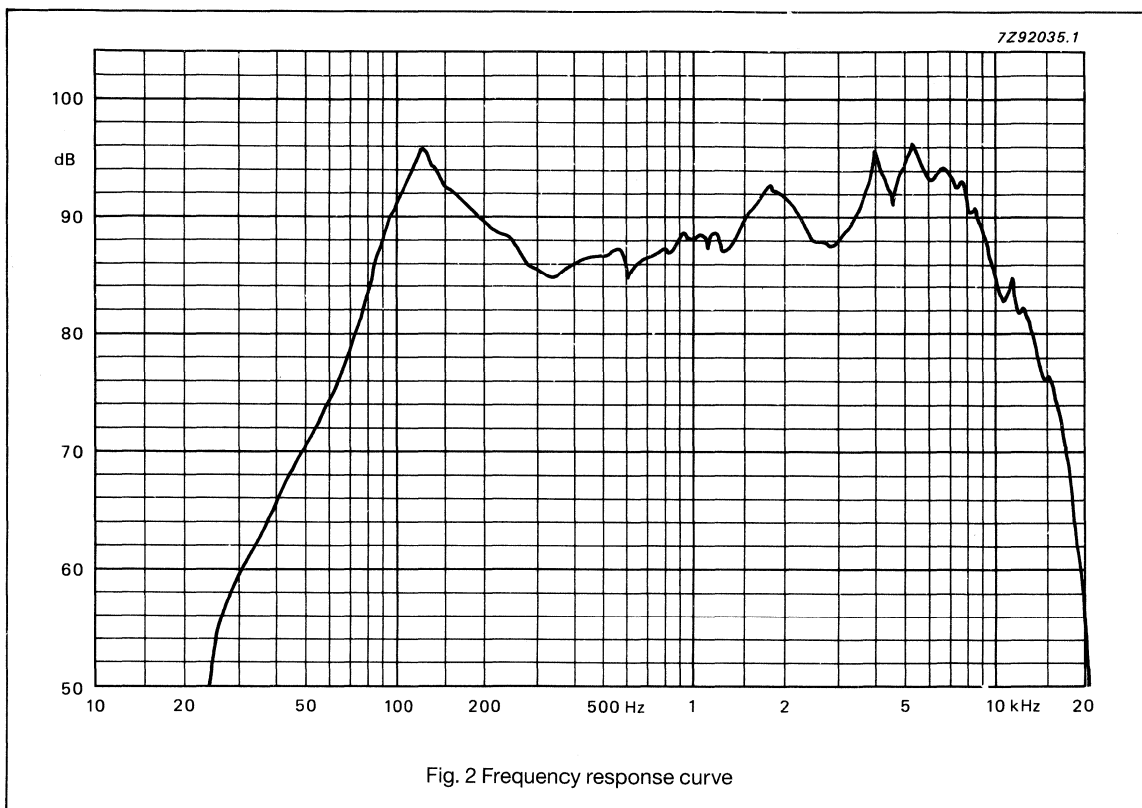
WD 46721 series

MECHANICAL DATA



**4 x 6" Full Range Oval Loudspeaker****WD 46721 series****FREQUENCY RESPONSE CURVES**

Frequency response curves have been measured on an axis at a distance of 1 m with 1 W input power.



Catalogue number: 2403 251 81201  
2403 251 81202  
2403 251 81203  
2403 251 81204

Data sheet	
status	Product specification
date of issue	October 1989

# WD 46722 series

## 4 x 6" Full Range Oval Loudspeaker

### APPLICATION

Full range loudspeaker for audio applications.

### DESCRIPTION

• Frame	material: plastic finish: none
• Membrane	colour: black
• Suspension	material: paper
• Dust cap	material: plastic colour: black
• Gasket	none

### TECHNICAL DATA

	version				unit
	X4	X8	X15	X25	
<b>Unmounted</b>					
Rated impedance	4	8	15	25	Ω
Voice coil resistance	3.6	7.2	13.5	22.5	Ω
Resonance frequency	130	130	130	130	Hz
Sweep voltage	2.44	3.46	4.74	6.12	V
Magnetic flux density	0.74	0.74	0.74	0.74	T
Loudspeaker mass	84	84	84	84	g
<b>Mounted</b>					
Characteristic sensitivity		88			dB/W/m
Maximum noise power		3.0			W

# 4 x 6" Full Range Oval Loudspeaker

# WD 46722 series

## MECHANICAL DATA

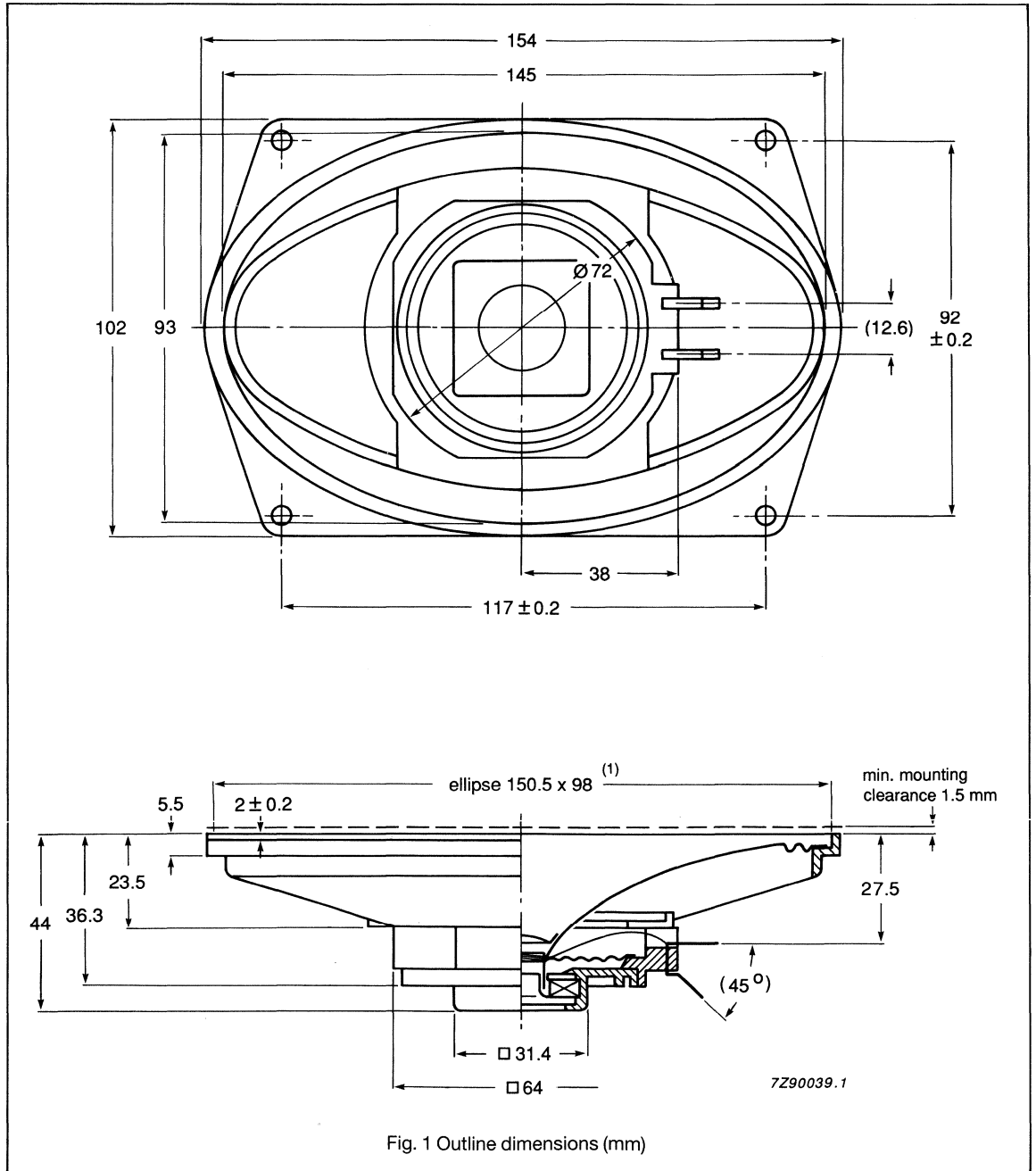
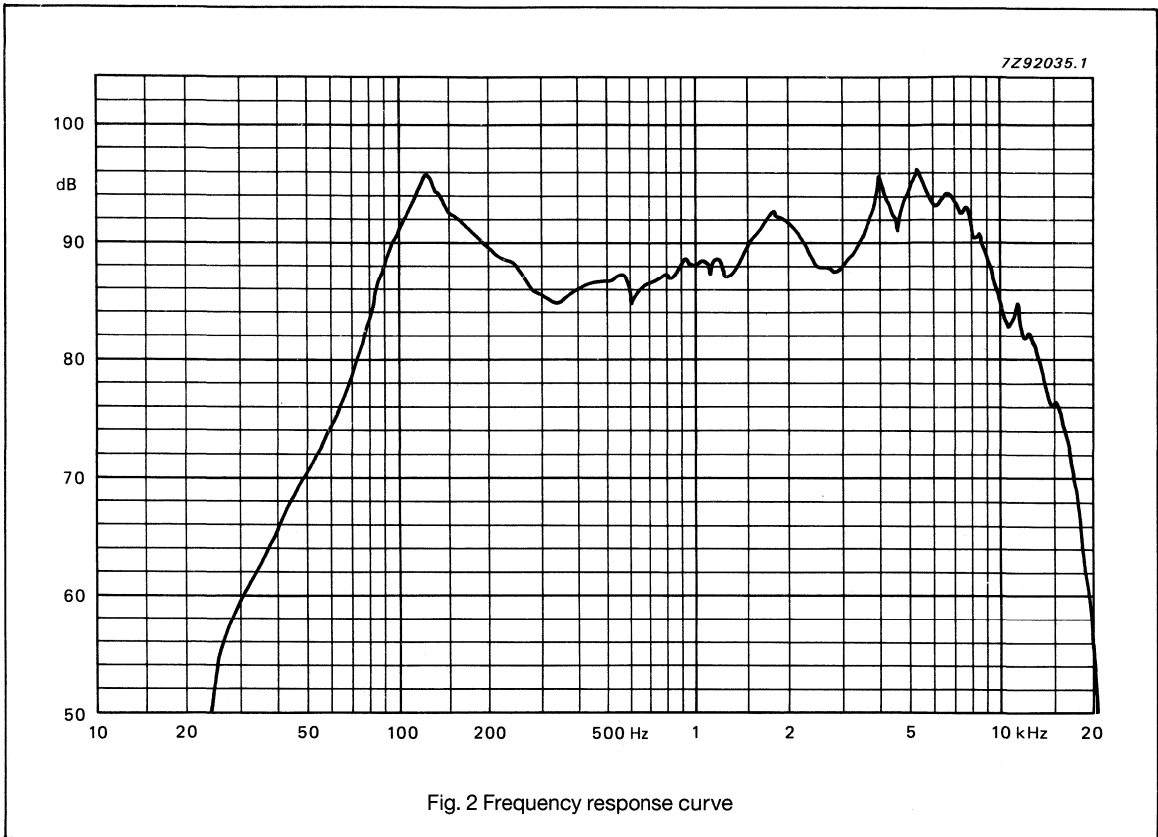


Fig. 1 Outline dimensions (mm)

**4 x 6" Full Range Oval Loudspeaker****WD 46722 series****FREQUENCY RESPONSE CURVES**

Frequency response curves have been measured on an axis at a distance of 1 m with 1 W input power.



Catalogue number: 2403 251 80101  
2403 251 80102  
2403 251 80103  
2403 251 80104

## Philips Components

Data sheet	
status	Product specification
date of issue	October 1989

# WD 46725 series

## 4 x 6" Full Range Oval Loudspeaker

### APPLICATION

Full range loudspeaker for audio applications.

### DESCRIPTION

• Frame	material: plastic finish: none
• Membrane	colour: black
• Suspension	material: paper
• Dust cap	material: plastic colour: black
• Gasket	none

### TECHNICAL DATA

	version				unit
	X4	X8	X15	X25	
<b>Unmounted</b>					
Rated impedance	4	8	15	25	$\Omega$
Voice coil resistance	3.6	7.2	13.5	22.5	$\Omega$
Resonance frequency	130	130	130	130	Hz
Sweep voltage	3.16	4.47	6.12	7.9	V
Magnetic flux density	0.74	0.74	0.74	0.74	T
Loudspeaker mass	84	84	84	84	g
<b>Mounted</b>					
Characteristic sensitivity		88			dB/W/m
Maximum noise power		3.0			W



4 x 6" Full Range Oval Loudspeaker

WD 46725 series

MECHANICAL DATA

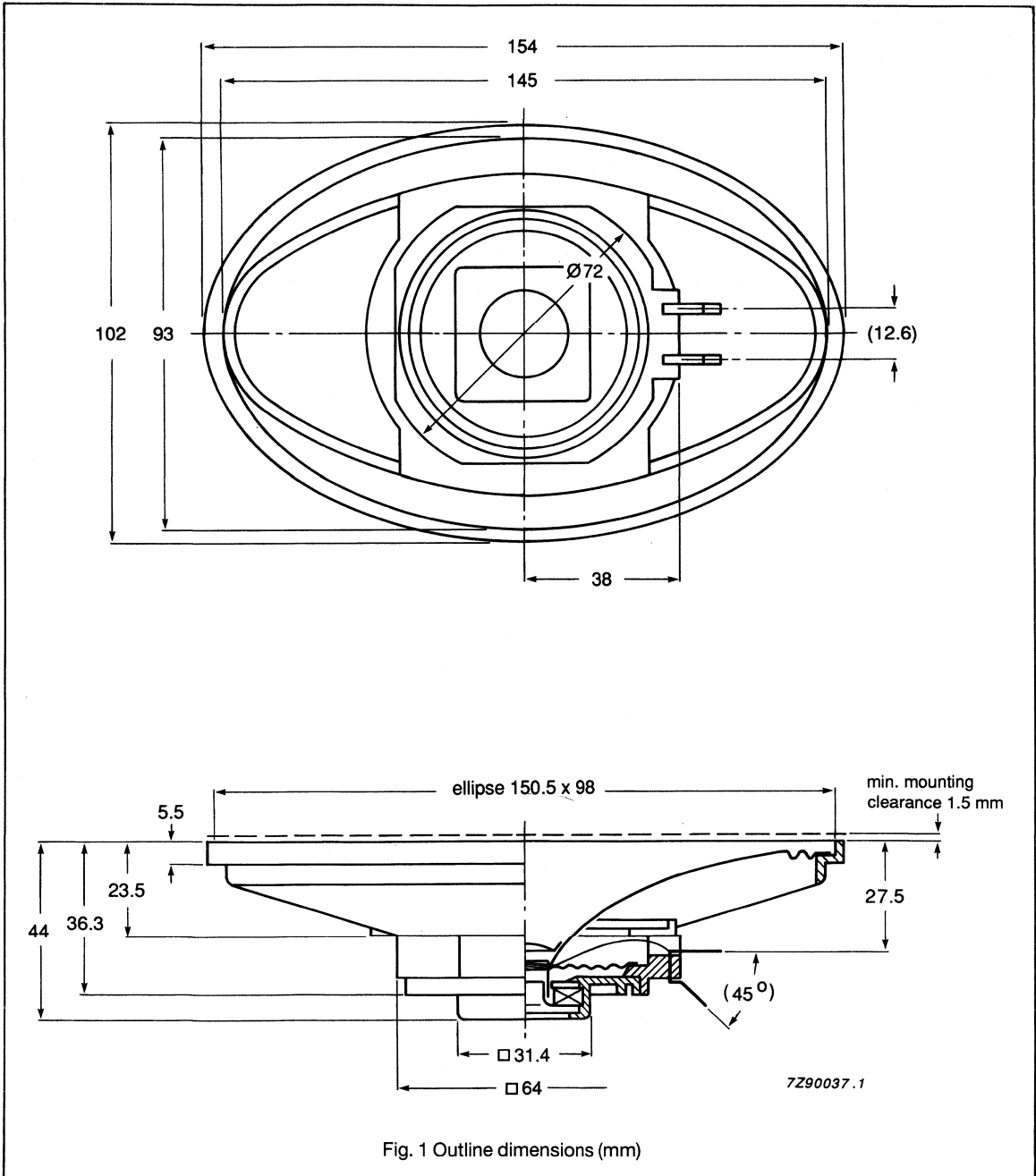


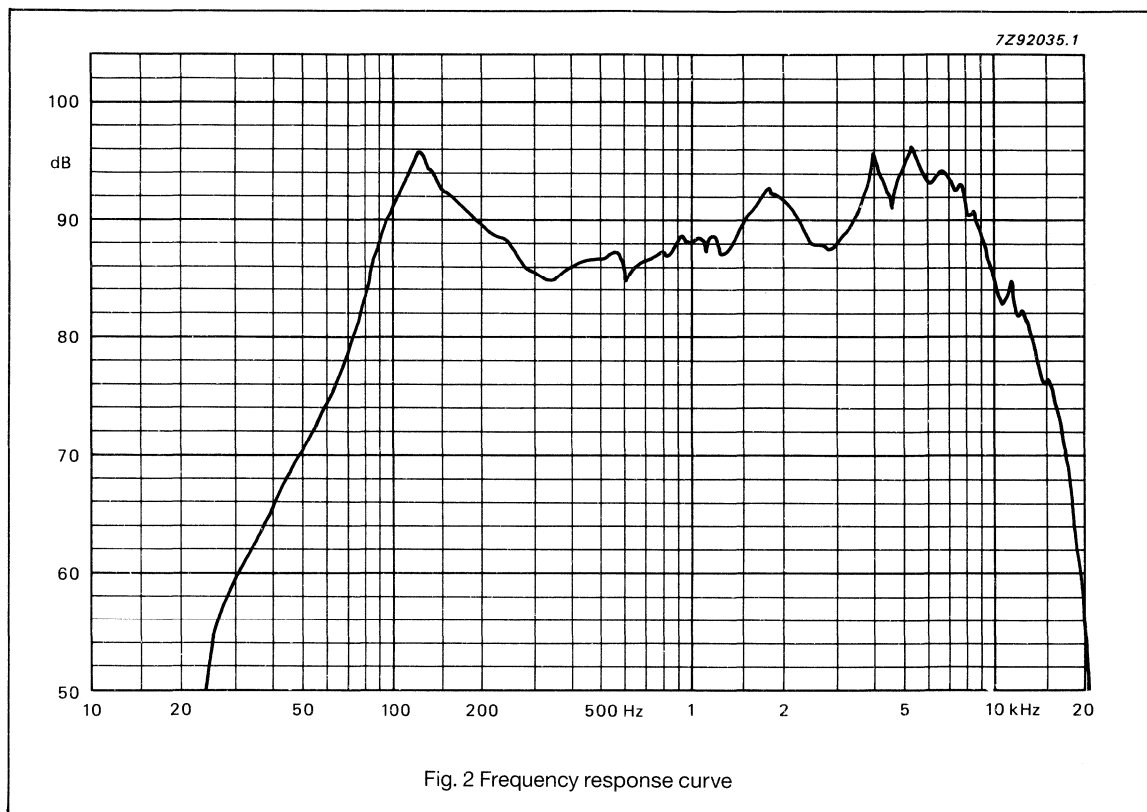
Fig. 1 Outline dimensions (mm)

# 4 x 6" Full Range Oval Loudspeaker

# WD 46725 series

## FREQUENCY RESPONSE CURVES

Frequency response curves have been measured on an axis at a distance of 1 m with 1 W input power.



Catalogue number: 2403 251 80601  
 2403 251 80602  
 2403 251 80603  
 2403 251 80604

Data sheet	
status	Product specification
date of issue	October 1989

# WD 46726 series

## 4 x 6" Full Range Oval Loudspeaker

### APPLICATION

Full range loudspeaker for audio applications.

### DESCRIPTION

• Frame	material: plastic finish: none
• Membrane	colour: black
• Suspension	material: paper
• Dust cap	material: plastic colour: black
• Gasket	none

### TECHNICAL DATA

	version				unit
	X4	X8	X15	X25	
<b>Unmounted</b>					
Rated impedance	4	8	15	25	Ω
Voice coil resistance	3.6	7.2	13.5	22.5	Ω
Resonance frequency	130	130	130	130	Hz
Sweep voltage	3.16	4.47	6.12	7.9	V
Magnetic flux density	0.74	0.74	0.74	0.74	T
Loudspeaker mass	84	84	84	84	g
<b>Mounted</b>					
Characteristic sensitivity		88			dB/W/m
Maximum noise power		5.0			W

4 x 6" Full Range Oval Loudspeaker

WD 46726 series

MECHANICAL DATA

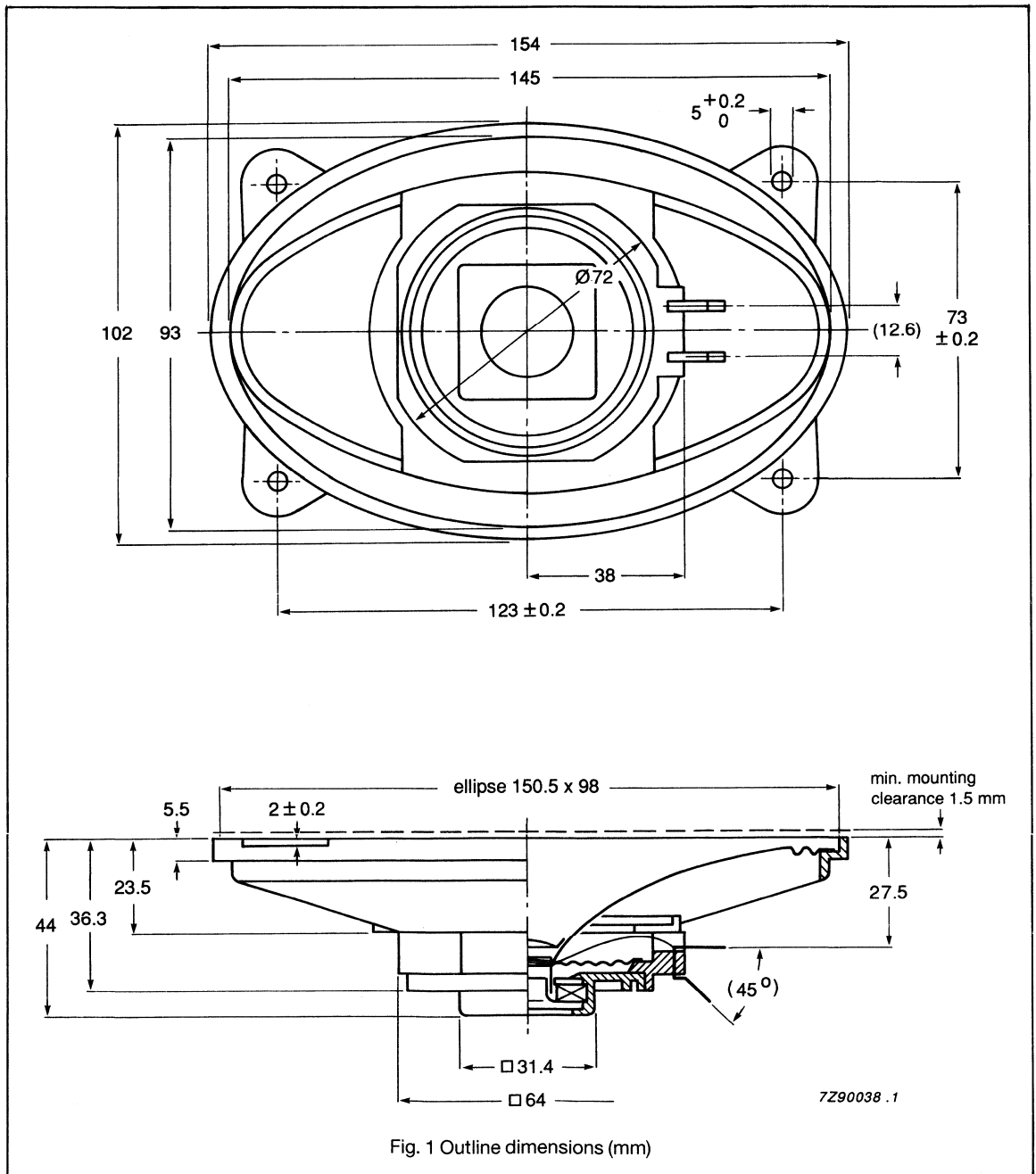
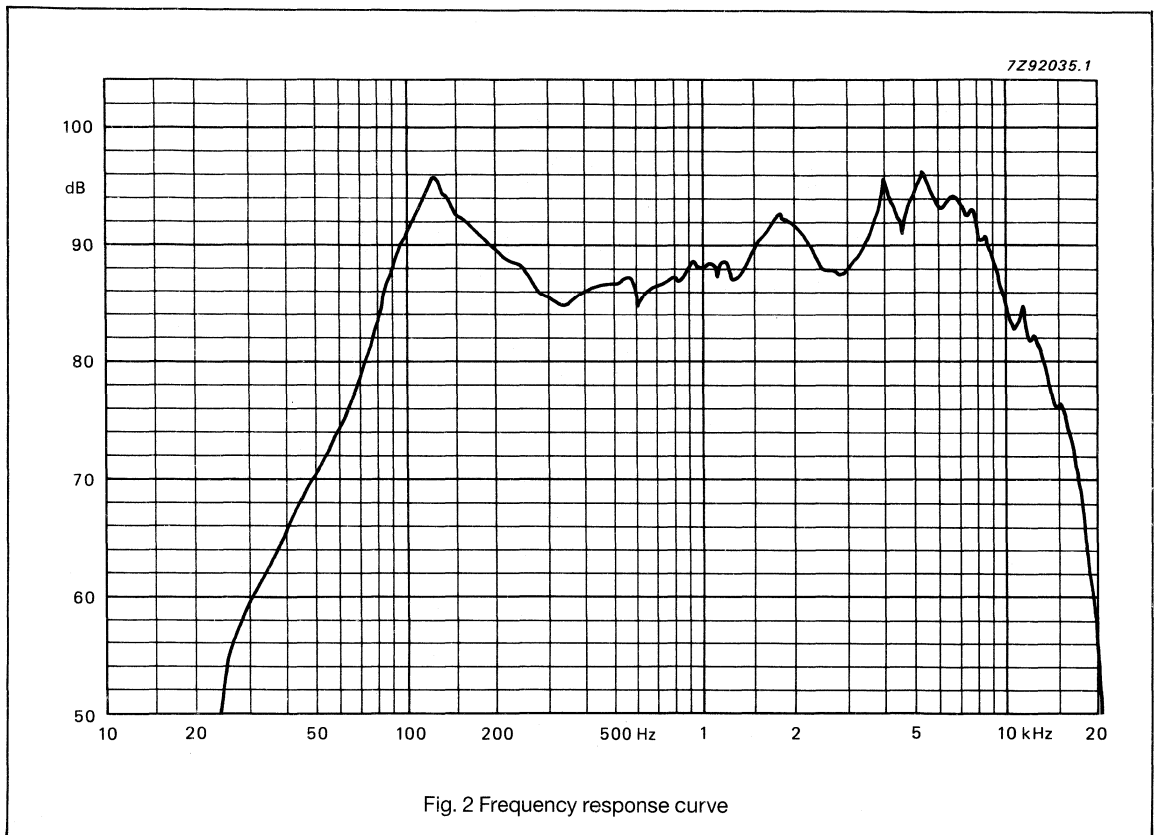


Fig. 1 Outline dimensions (mm)

**4 x 6" Full Range Oval Loudspeaker****WD 46726 series****FREQUENCY RESPONSE CURVES**

Frequency response curves have been measured on an axis at a distance of 1 m with 1 W input power.



Catalogue number: 2403 251 81501  
2403 251 81502  
2403 251 81503  
2403 251 81504

Data sheet	
status	Product specification
date of issue	October 1989

# WD 46727 series

## 4 x 6" Full Range Oval Loudspeaker

### APPLICATION

Full range loudspeaker for audio applications.

### DESCRIPTION

• Frame	material: plastic finish: none
• Membrane	colour: black
• Suspension	material: paper
• Dust cap	material: plastic colour: black
• Gasket	none

### TECHNICAL DATA

	version				unit
	X4	X8	X15	X25	
<b>Unmounted</b>					
Rated impedance	4	8	15	25	Ω
Voice coil resistance	3.6	7.2	13.5	22.5	Ω
Resonance frequency	130	130	130	130	Hz
Sweep voltage	3.16	4.47	6.12	7.9	V
Magnetic flux density	0.74	0.74	0.74	0.74	T
Loudspeaker mass	84	84	84	84	g
<b>Mounted</b>					
Characteristic sensitivity	88				dB/W/m
Maximum noise power	5.0				W

4 x 6" Full Range Oval Loudspeaker

WD 46727 series

MECHANICAL DATA

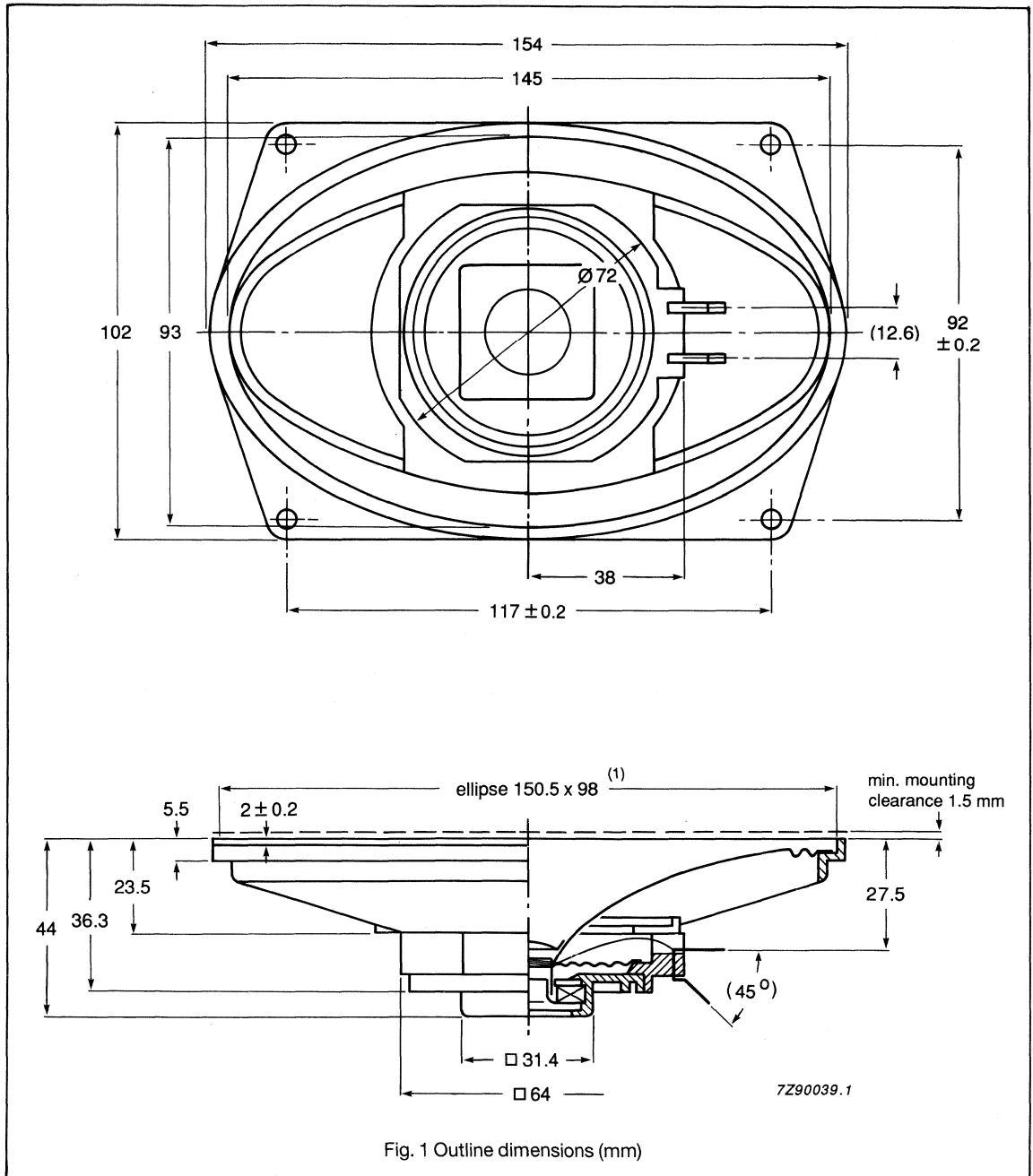


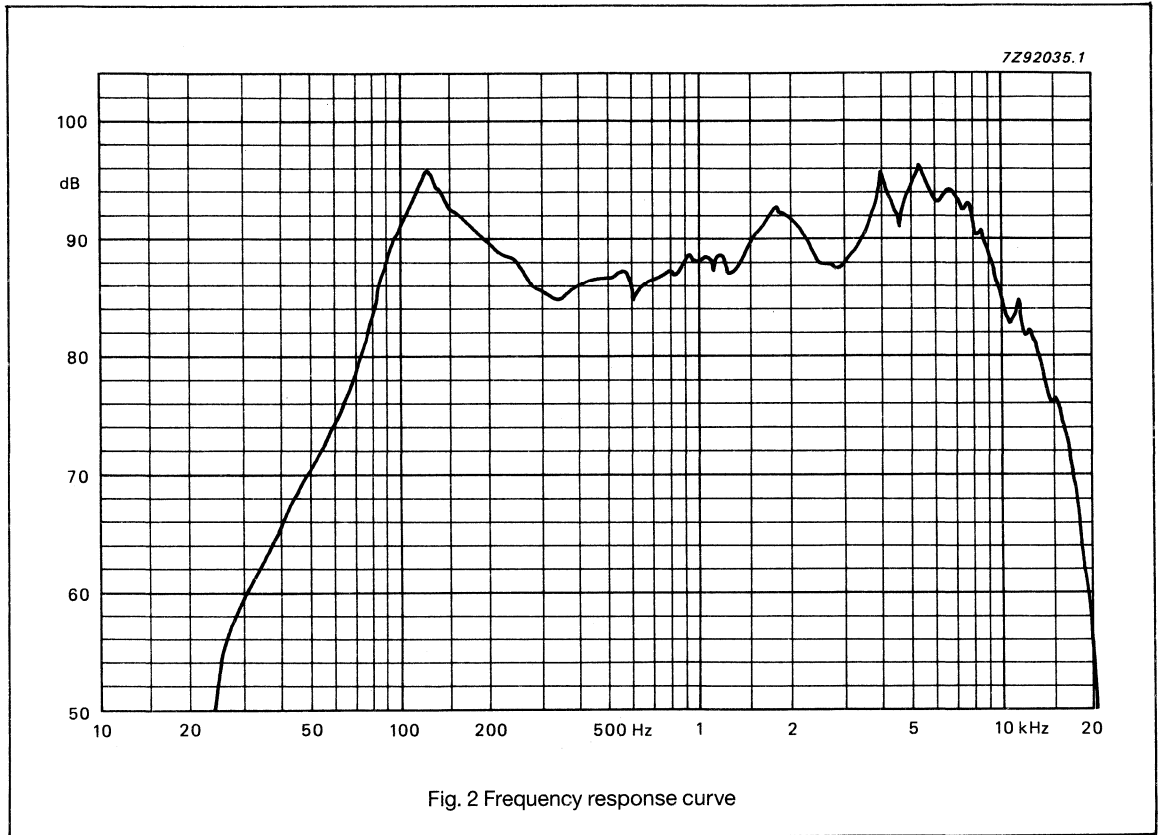
Fig. 1 Outline dimensions (mm)

**4 x 6" Full Range Oval Loudspeaker**

**WD 46727 series**

**FREQUENCY RESPONSE CURVES**

Frequency response curves have been measured on an axis at a distance of 1 m with 1 W input power.



- Catalogue number: 2403 251 80701
- 2403 251 80702
- 2403 251 80703
- 2403 251 80704



Data sheet	
status	Product specification
date of issue	November 1989

# WD 46740 series

## 4 x 6" Full Range Oval Loudspeaker

### APPLICATION

Full range loudspeaker for video applications.

### DESCRIPTION

• Frame	material: plastic finish: none
• Membrane	colour: black
• Suspension	material: paper
• Dust cap	material: plastic colour: black
• Gasket	none

### TECHNICAL DATA

	version				unit
	X4	X8	X15	X25	
<b>Unmounted</b>					
Rated impedance	4	8	15	25	Ω
Voice coil resistance	3.6	7.2	13.5	22.5	Ω
Resonance frequency	130	130	130	130	Hz
Sweep voltage	2.23	3.16	4.33	5.59	V
Magnetic flux density	0.74	0.74	0.74	0.74	T
Loudspeaker mass	88	88	88	88	g
<b>Mounted</b>					
Characteristic sensitivity		88			dB/W/m
Maximum noise power		2.5			W

4 x 6" Full Range Oval Loudspeaker

WD 46740 series

MECHANICAL DATA

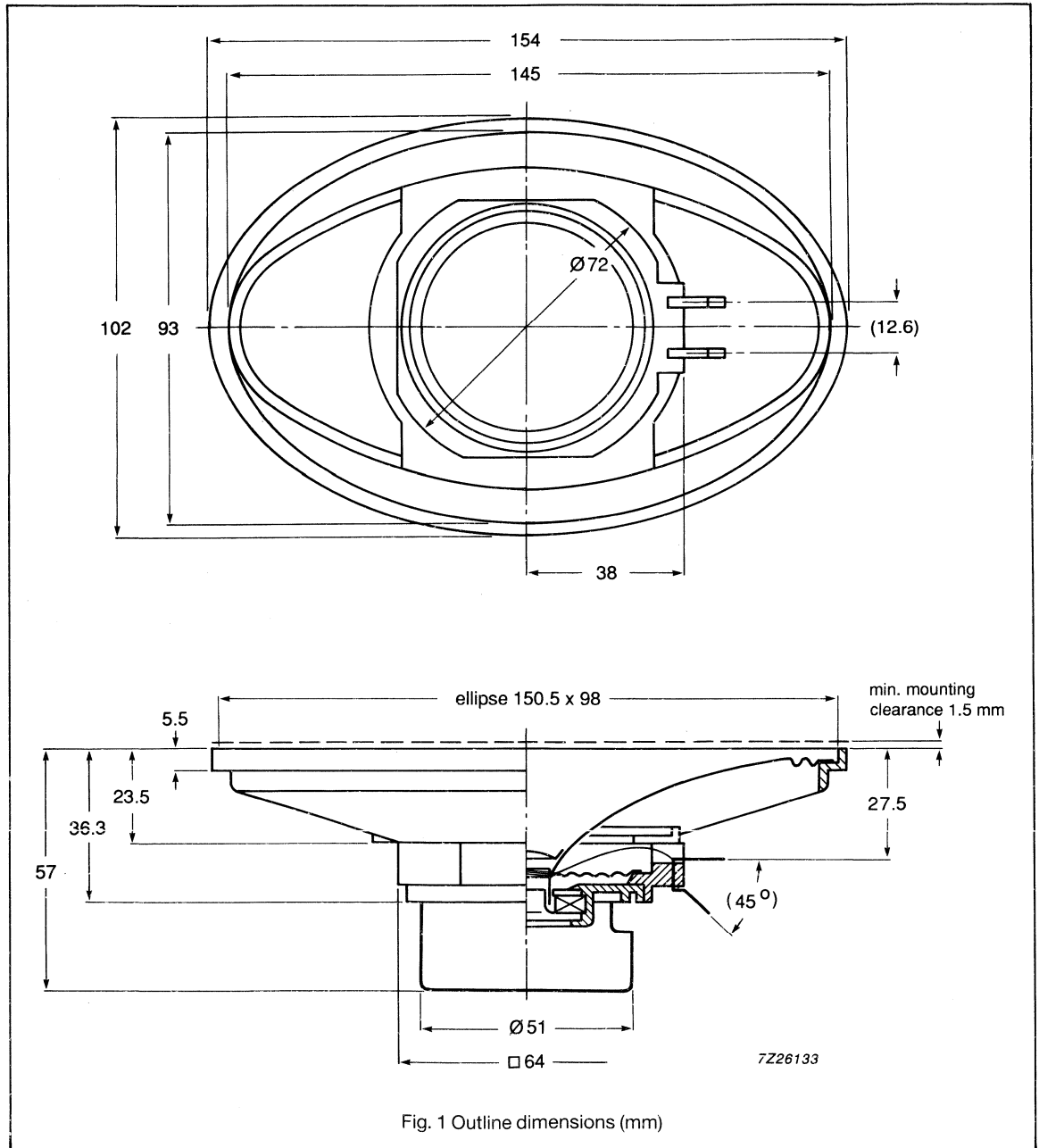
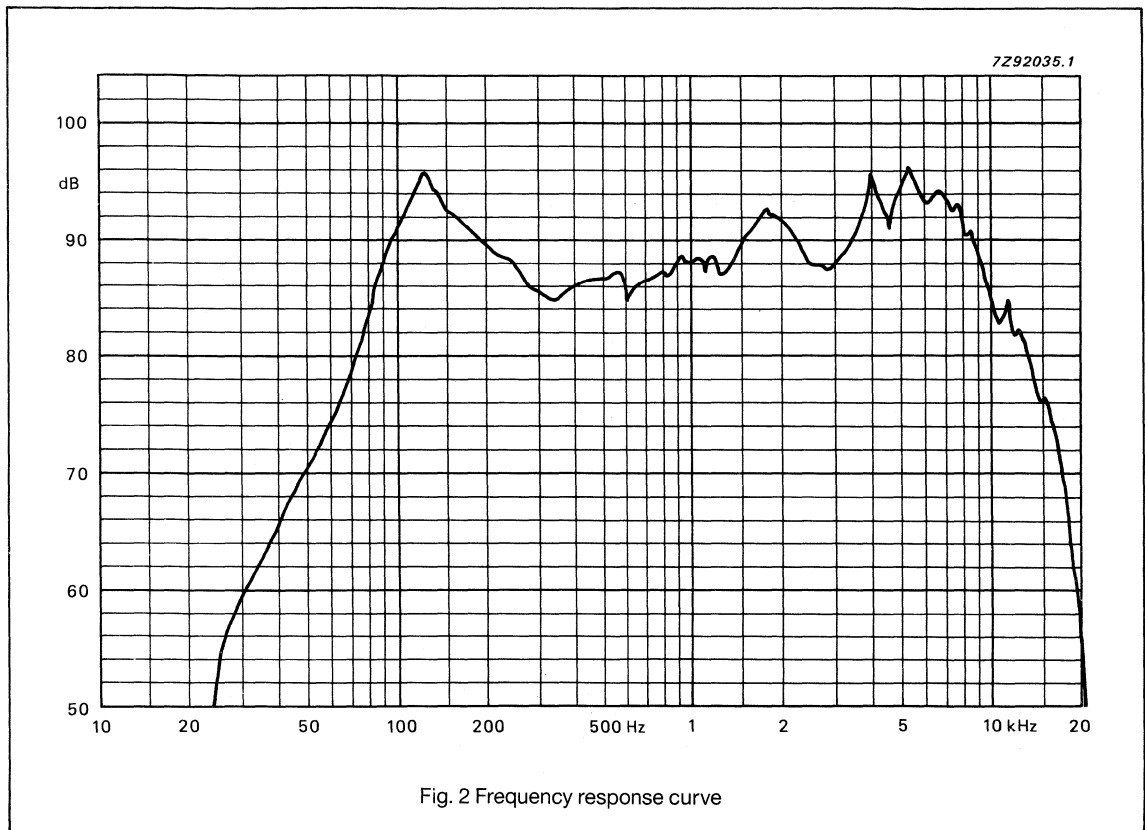


Fig. 1 Outline dimensions (mm)

**4 x 6" Full Range Oval Loudspeaker****WD 46740 series****FREQUENCY RESPONSE CURVES**

Frequency response curves have been measured on an axis at a distance of 1 m with 1 W input power.



Catalogue number: 2403 251 80201  
2403 251 80202  
2403 251 80203  
2403 251 80204

**Philips Components**

Data sheet	
status	Product specification
date of issue	November 1989

# WD 46741 series

## 4 x 6" Full Range Oval Loudspeaker

**APPLICATION**

Full range loudspeaker for video applications.

**DESCRIPTION**

• Frame	material: plastic finish: none
• Membrane	colour: black
• Suspension	material: paper
• Dust cap	material: plastic colour: black
• Gasket	none

**TECHNICAL DATA**

	version				unit
	X4	X8	X15	X25	
<b>Unmounted</b>					
Rated impedance	4	8	15	25	Ω
Voice coil resistance	3.6	7.2	13.5	22.5	Ω
Resonance frequency	130	130	130	130	Hz
Sweep voltage	2.23	3.16	4.33	5.59	V
Magnetic flux density	0.74	0.74	0.74	0.74	T
Loudspeaker mass	88	88	88	88	g
<b>Mounted</b>					
Characteristic sensitivity					dB/W/m
Maximum noise power	2.5				W

4 x 6" Full Range Oval Loudspeaker

WD 46741 series

MECHANICAL DATA

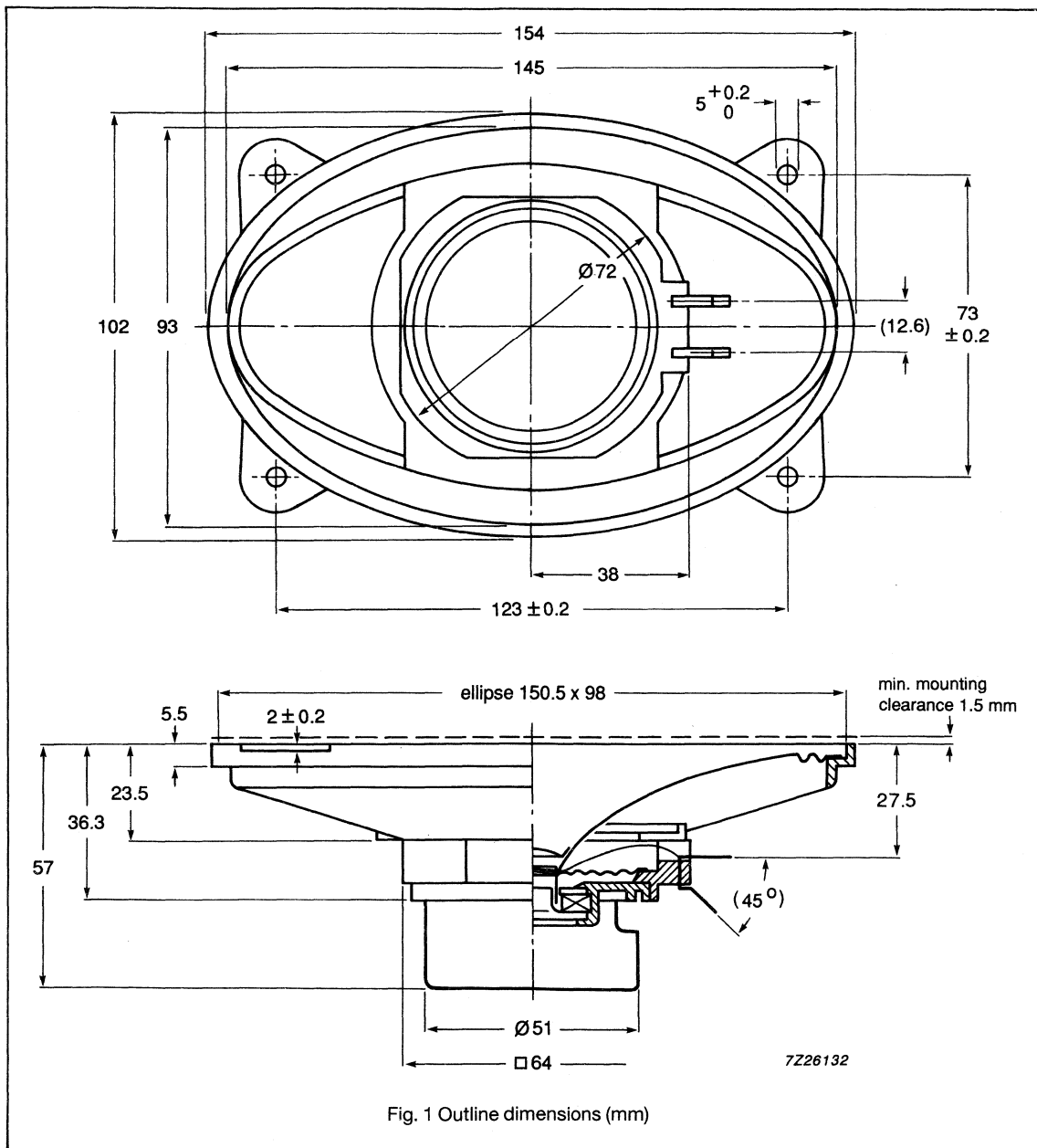


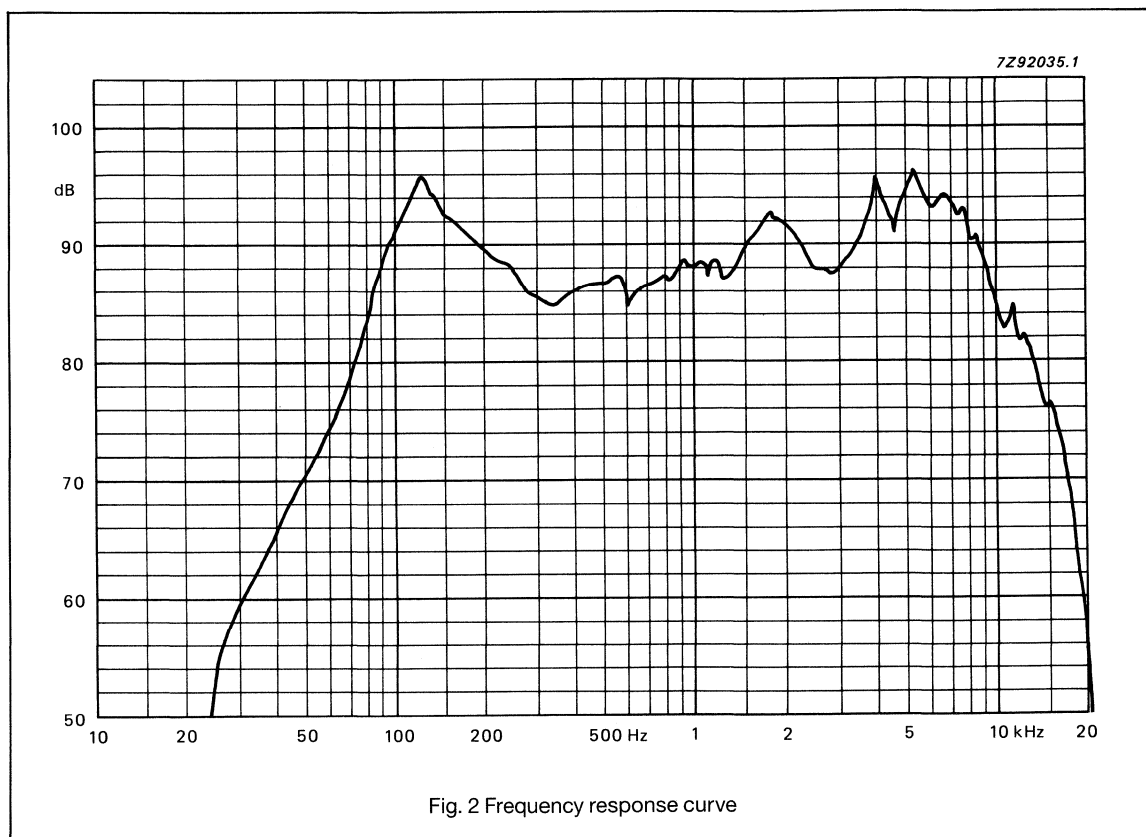
Fig. 1 Outline dimensions (mm)

## 4 x 6" Full Range Oval Loudspeaker

**WD 46741 series**

### FREQUENCY RESPONSE CURVES

Frequency response curves have been measured on an axis at a distance of 1 m with 1 W input power.



Catalogue number: 2403 251 81301  
2403 251 81302  
2403 251 81303  
2403 251 81304

# WD 46742 series

## 4 x 6" Full Range Oval Loudspeaker

Data sheet	
status	Product specification
date of issue	May 1990

**APPLICATION**

Full range video loudspeaker.

**DESCRIPTION**

• Frame	material: plastic finish: none
• Membrane	colour: black
• Suspension	material: paper
• Dust cap	material: plastic colour: black
• Gasket	none

**TECHNICAL DATA**

	version				unit
	X4	X8	X15	X25	
<b>Unmounted</b>					
Rated impedance	4	8	15	25	Ω
Voice coil resistance	3.6	7.2	13.5	22.5	Ω
Resonance frequency	130	130	130	130	Hz
Sweep voltage	2.23	3.16	4.33	5.59	V
Magnetic flux density	0.74	0.74	0.74	0.74	T
Loudspeaker mass	88	88	88	88	g
<b>Mounted</b>					
Characteristic sensitivity		88			dB/W/m
Maximum noise power		2.5			W

4 x 6" Full Range Oval Loudspeaker

WD 46742 series

MECHANICAL DATA

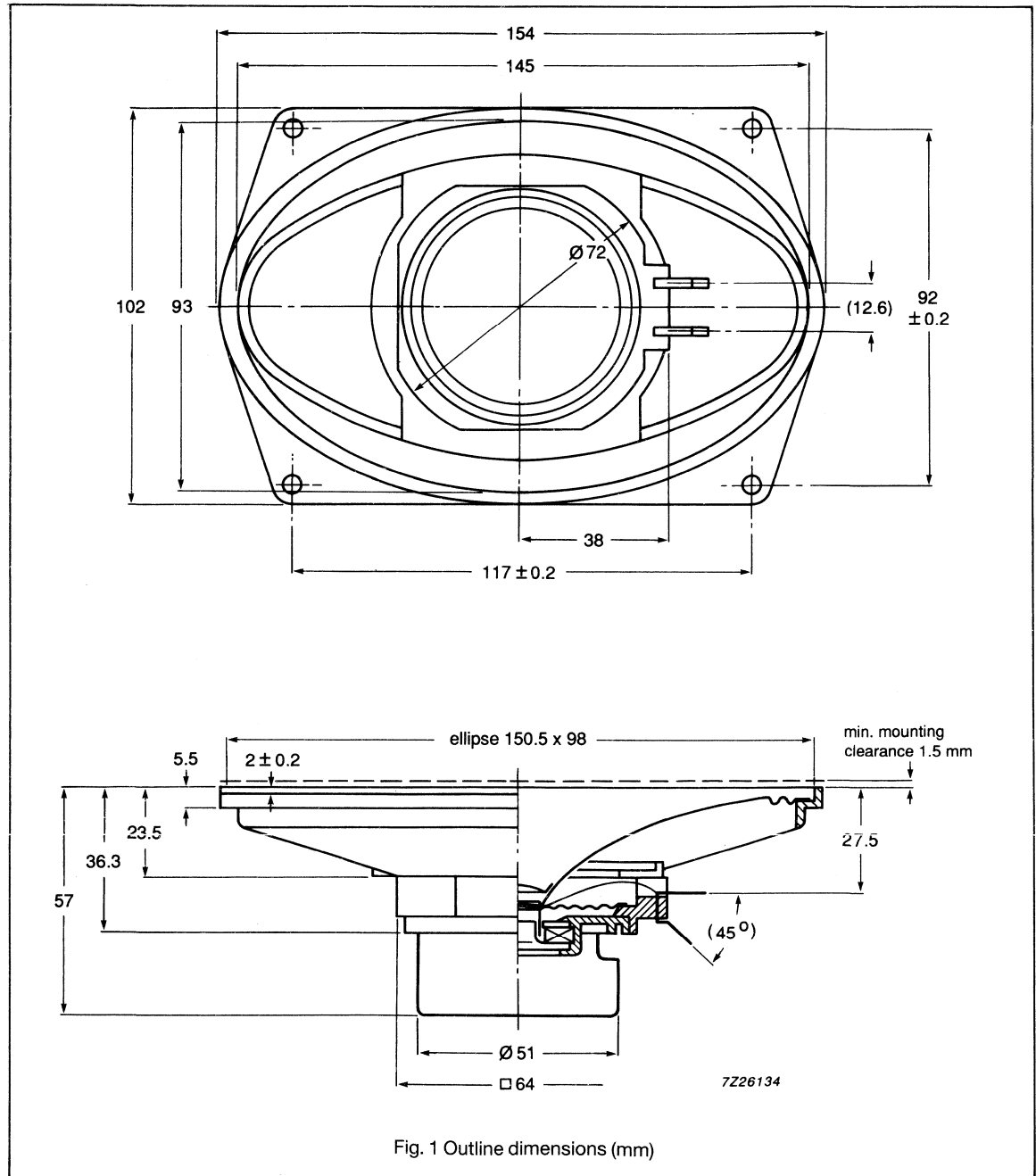
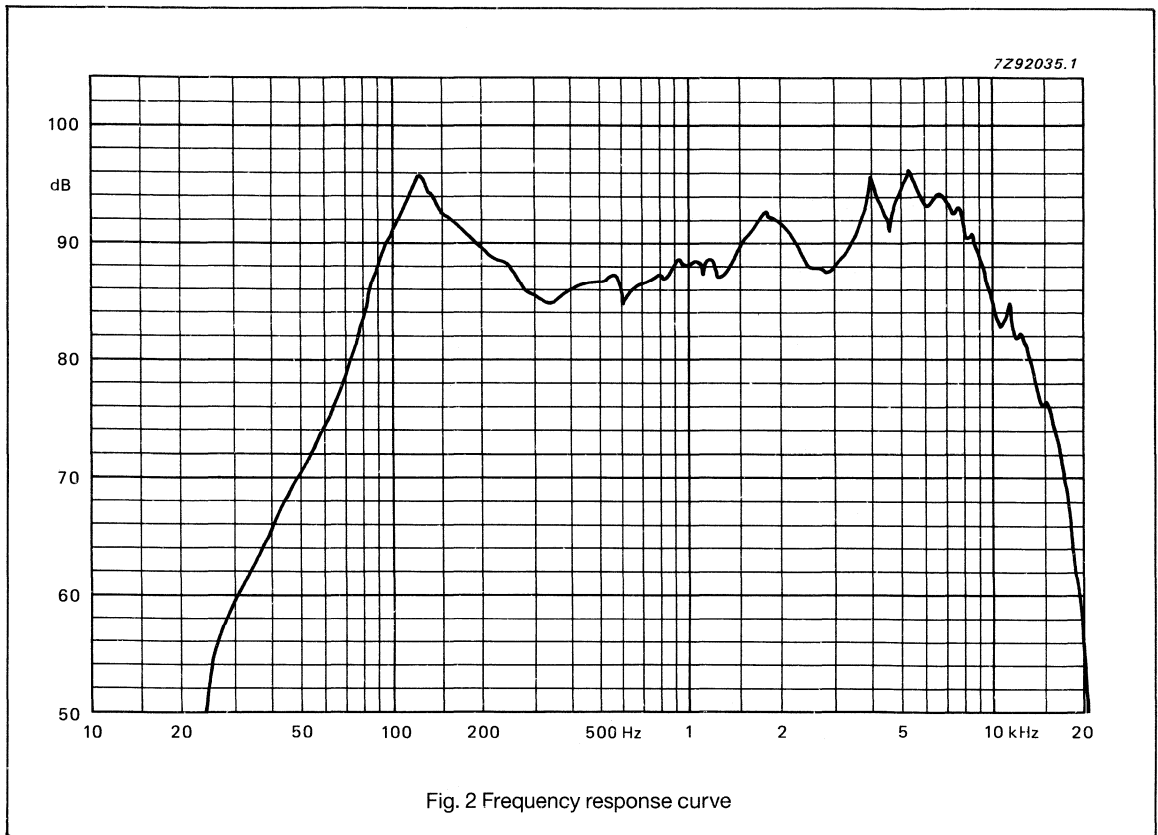


Fig. 1 Outline dimensions (mm)



**4 x 6" Full Range Oval Loudspeaker****WD 46742 series****FREQUENCY RESPONSE CURVES**

Frequency response curves have been measured on an axis at a distance of 1 m with 1 W input power.



Catalogue number: 2403 251 80301  
2403 251 80302  
2403 251 80303  
2403 251 80304

**Philips Components**

<b>Data sheet</b>	
<b>status</b>	Product specification
<b>date of issue</b>	May 1990

# WD 46745 series

## 4 x 6" Full Range Oval Loudspeaker

**APPLICATION**

Full range loudspeaker for video applications.

**DESCRIPTION**

• Frame	material: plastic finish: none
• Membrane	colour: black
• Suspension	material: paper
• Dust cap	material: plastic colour: black
• Gasket	none

**TECHNICAL DATA**

	version				unit	
	X4	X8	X15	X25		
<b>Unmounted</b>						
Rated impedance	4	8	15	25	Ω	
Voice coil resistance	3.6	7.2	13.5	22.5	Ω	
Resonance frequency	130	130	130	130	Hz	
Sweep voltage	2.84	3.74	5.12	6.61	V	
Magnetic flux density	0.74	0.74	0.74	0.74	T	
Loudspeaker mass	88	88	88	88	g	
<b>Mounted</b>						
Characteristic sensitivity					88	dB/W/m
Maximum noise power					3.5	W

4 x 6" Full Range Oval Loudspeaker

WD 46745 series

MECHANICAL DATA

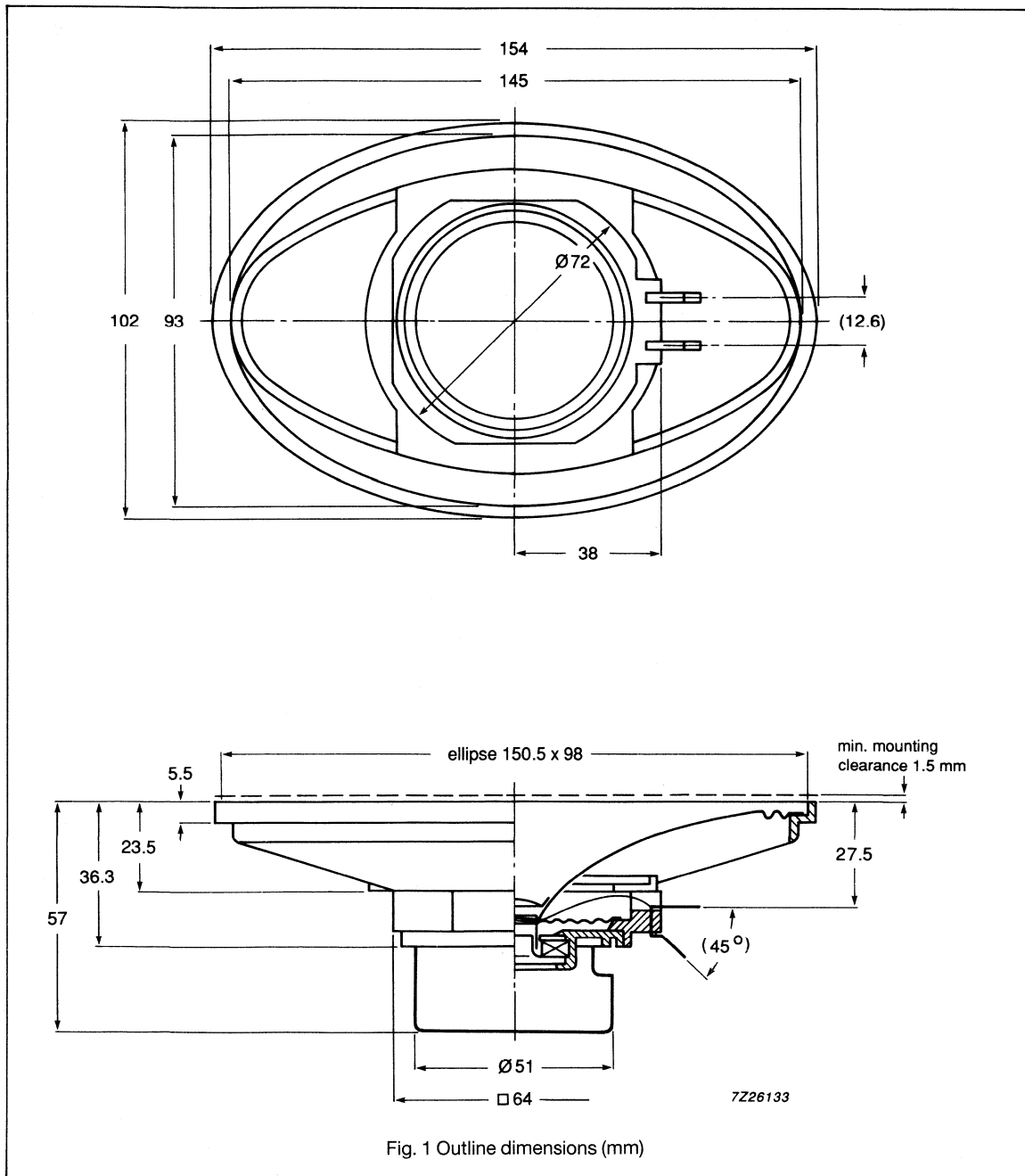
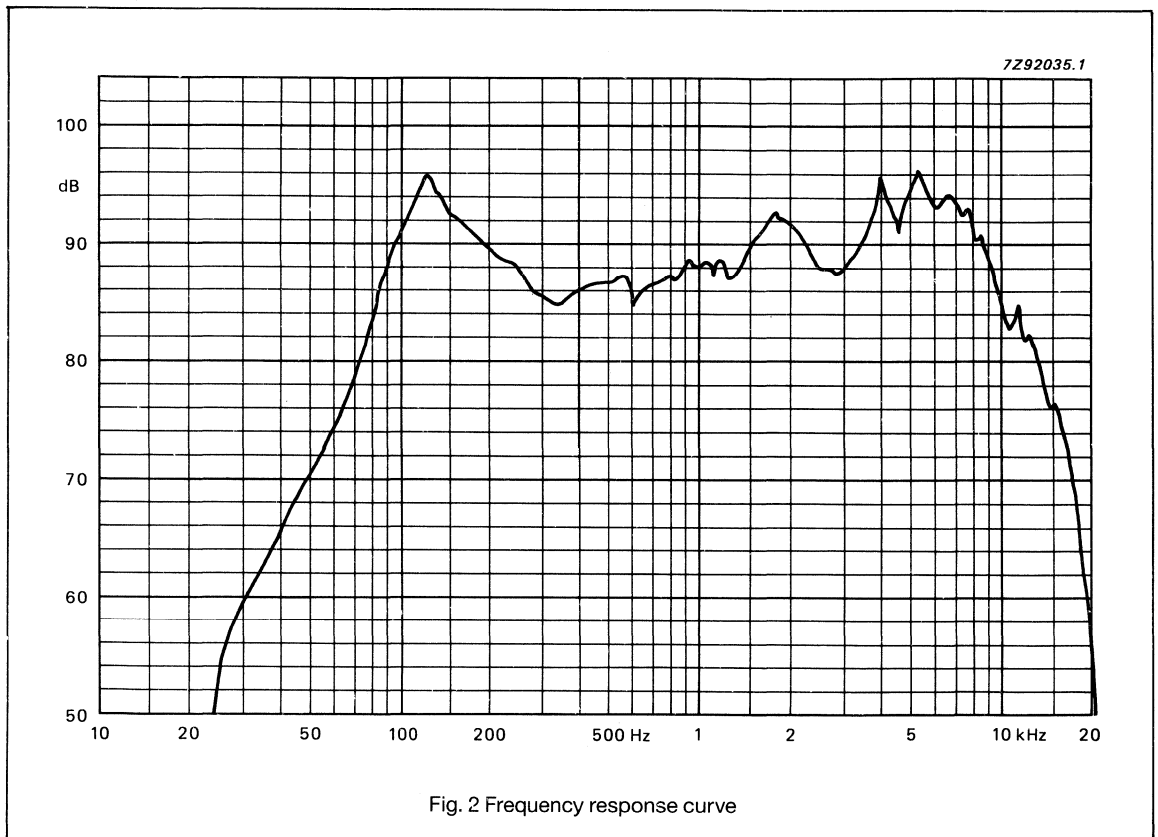


Fig. 1 Outline dimensions (mm)

**4 x 6" Full Range Oval Loudspeaker****WD 46745 series****FREQUENCY RESPONSE CURVES**

Frequency response curves have been measured on an axis at a distance of 1 m with 1 W input power.



Catalogue number: 2403 251 80801  
2403 251 80802  
2403 251 80803  
2403 251 80804

**Philips Components**

Data sheet	
status	Product specification
date of issue	November 1989

# WD 46746 series

## 4 x 6" Full Range Oval Loudspeaker

**APPLICATION**

Full range loudspeaker for video applications.

**DESCRIPTION**

• Frame	material: plastic finish: none
• Membrane	colour: black
• Suspension	material: paper
• Dust cap	material: plastic colour: black
• Gasket	none

**TECHNICAL DATA**

	version				unit
	X4	X8	X15	X25	
<b>Unmounted</b>					
Rated impedance	4	8	15	25	$\Omega$
Voice coil resistance	3.6	7.2	13.5	22.5	$\Omega$
Resonance frequency	130	130	130	130	Hz
Sweep voltage	2.84	3.74	5.12	6.61	V
Magnetic flux density	0.74	0.74	0.74	0.74	T
Loudspeaker mass	88	88	88	88	g
<b>Mounted</b>					
Characteristic sensitivity		88			dB/W/m
Maximum noise power		3.5			W

4 x 6" Full Range Oval Loudspeaker

WD 46746 series

MECHANICAL DATA

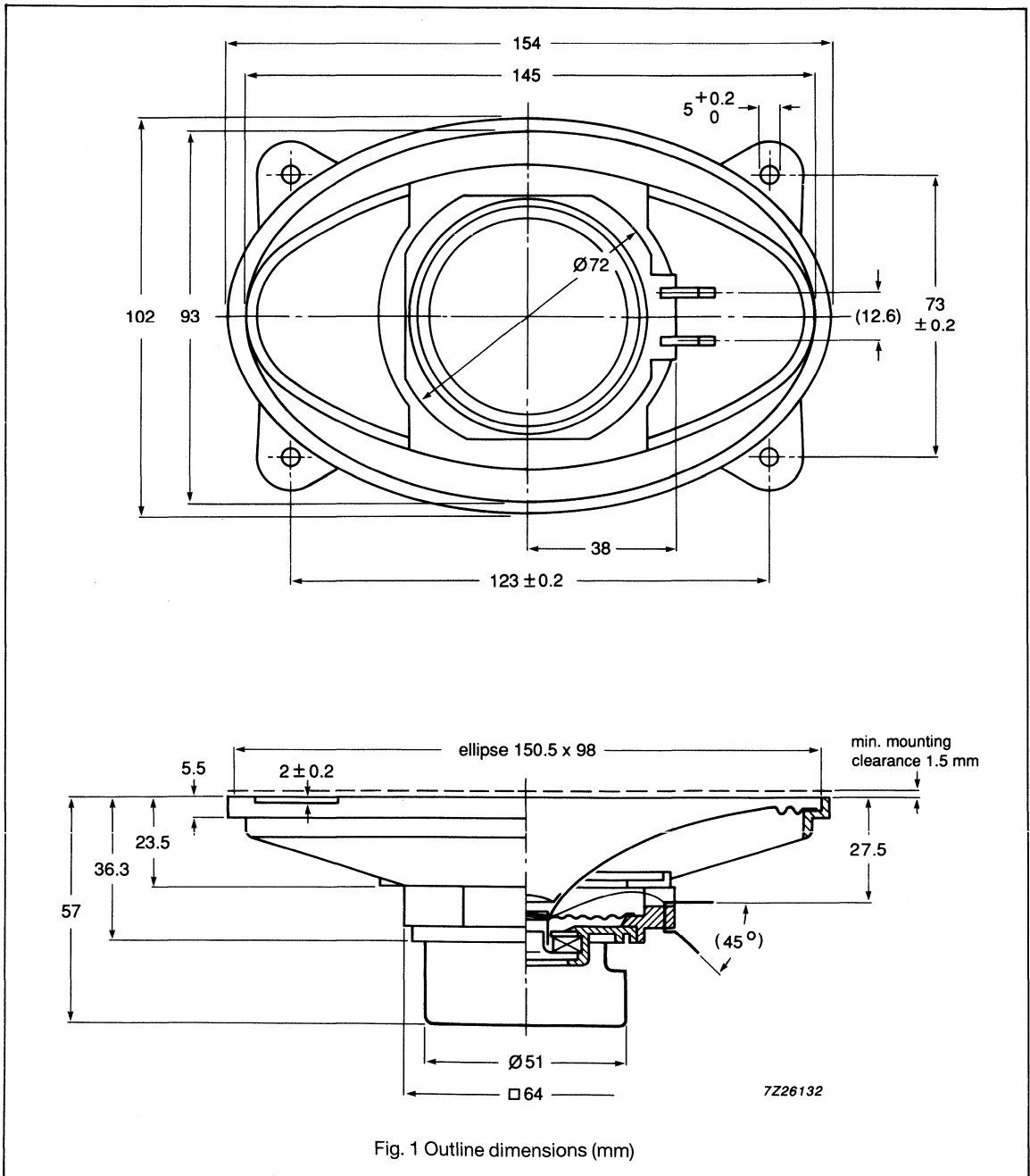


Fig. 1 Outline dimensions (mm)

**4 x 6" Full Range Oval Loudspeaker**

**WD 46746 series**

**FREQUENCY RESPONSE CURVES**

Frequency response curves have been measured on an axis at a distance of 1 m with 1 W input power.

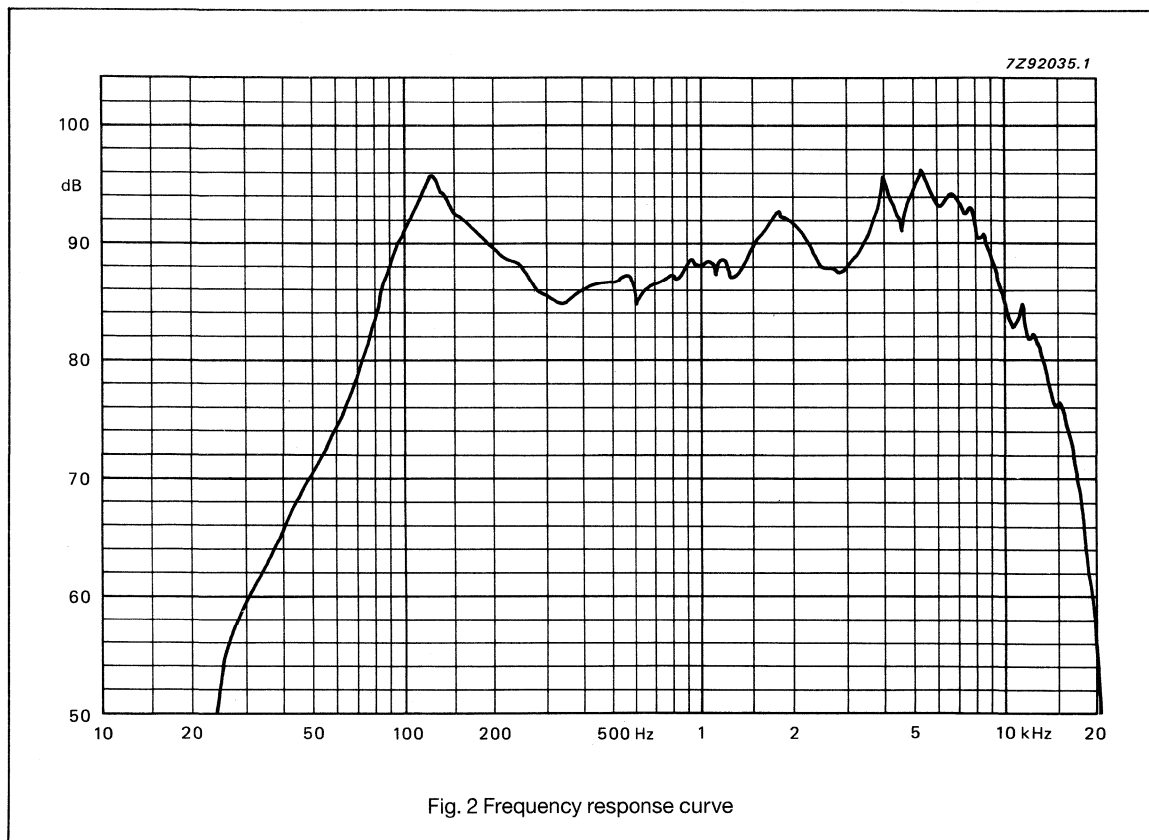


Fig. 2 Frequency response curve

- Catalogue number: 2403 251 81601
- 2403 251 81602
- 2403 251 81603
- 2403 251 81604

**Philips Components**

Data sheet	
status	Product specification
date of issue	November 1989

# WD 46747 series

## 4 x 6" Full Range Oval Loudspeaker

**APPLICATION**

Full range loudspeaker for video applications.

**DESCRIPTION**

• Frame	material: plastic finish: none
• Membrane	colour: black
• Suspension	material: paper
• Dust cap	material: plastic colour: black
• Gasket	none

**TECHNICAL DATA**

	version				unit
	X4	X8	X15	X25	
<b>Unmounted</b>					
Rated impedance	4	8	15	25	$\Omega$
Voice coil resistance	3.6	7.2	13.5	22.5	$\Omega$
Resonance frequency	130	130	130	130	Hz
Sweep voltage	2.84	3.74	5.12	6.61	V
Magnetic flux density	0.74	0.74	0.74	0.74	T
Loudspeaker mass	88	88	88	88	g
<b>Mounted</b>					
Characteristic sensitivity		88			dB/W/m
Maximum noise power		3.5			W



4 x 6" Full Range Oval Loudspeaker

WD 46747 series

MECHANICAL DATA

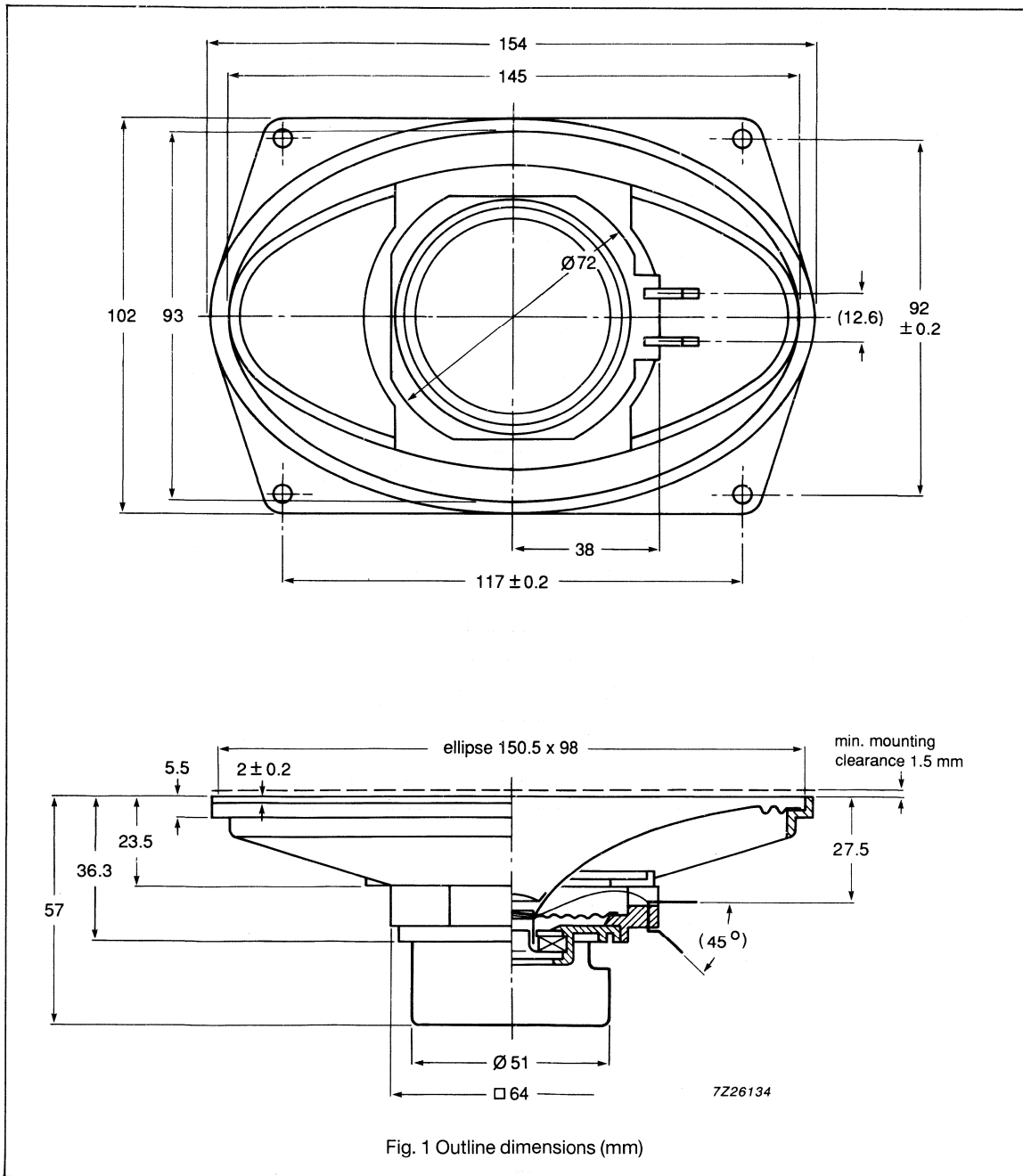
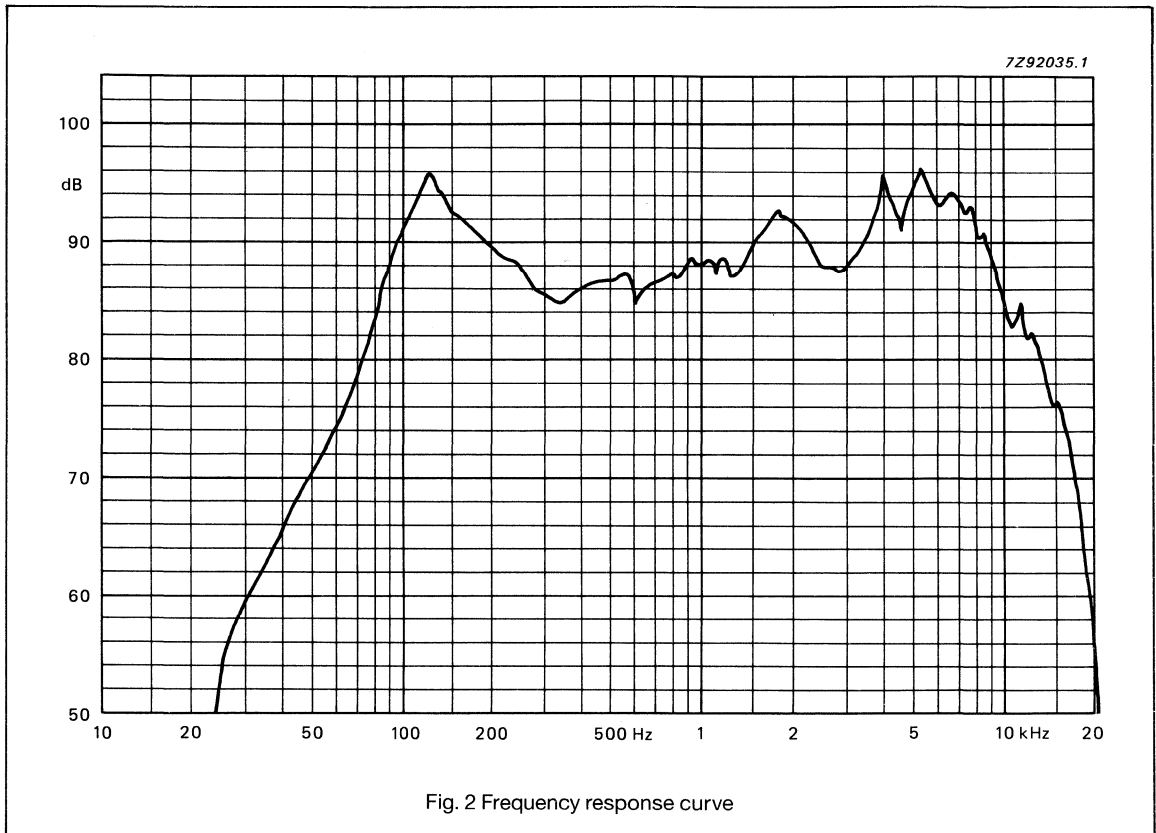


Fig. 1 Outline dimensions (mm)

**4 x 6" Full Range Oval Loudspeaker****WD 46747 series****FREQUENCY RESPONSE CURVES**

Frequency response curves have been measured on an axis at a distance of 1 m with 1 W input power.



Catalogue number: 2403 251 80901  
2403 251 80902  
2403 251 80903  
2403 251 80904

Data sheet	
status	Product specification
date of issue	May 1990

# WD 46760 series

## 4 x 6" Full Range Oval Loudspeaker

### APPLICATION

Full range loudspeaker for video applications.

### DESCRIPTION

• Frame	material: plastic finish: none
• Membrane	colour: black
• Suspension	material: paper
• Dust cap	material: plastic colour: black
• Gasket	none

### TECHNICAL DATA

	version				unit
	X4	X8	X15	X25	
<b>Unmounted</b>					
Rated impedance	4	8	15	25	Ω
Voice coil resistance	3.6	7.2	13.5	22.5	Ω
Resonance frequency	130	130	130	130	Hz
Sweep voltage	2.23	3.16	4.33	5.59	V
Magnetic flux density	0.74	0.74	0.74	0.74	T
Loudspeaker mass	100	100	100	100	g
<b>Mounted</b>					
Characteristic sensitivity		88			dB/W/m
Maximum noise power		2.5			W

4 x 6" Full Range Oval Loudspeaker

WD 46760 series

MECHANICAL DATA

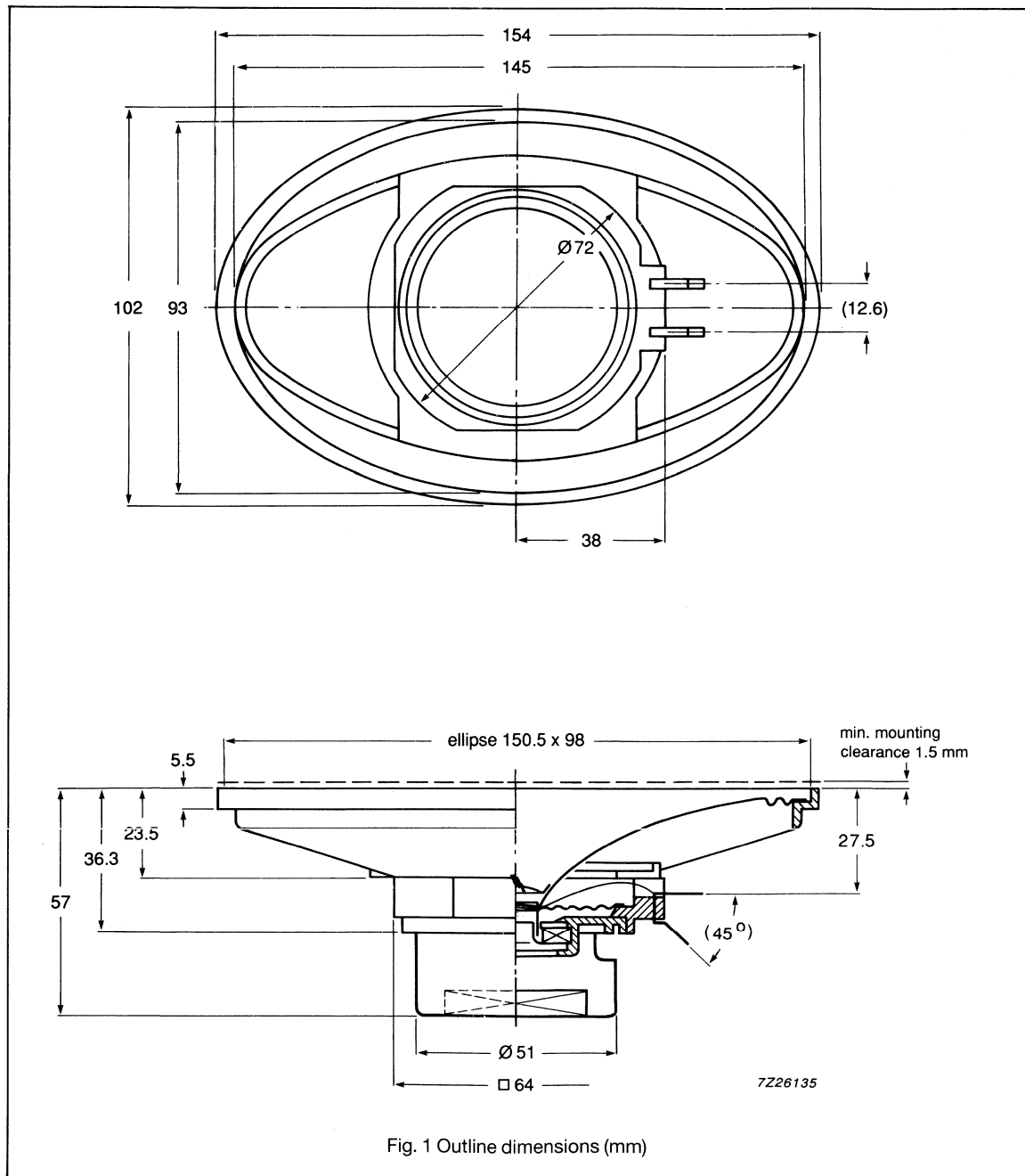
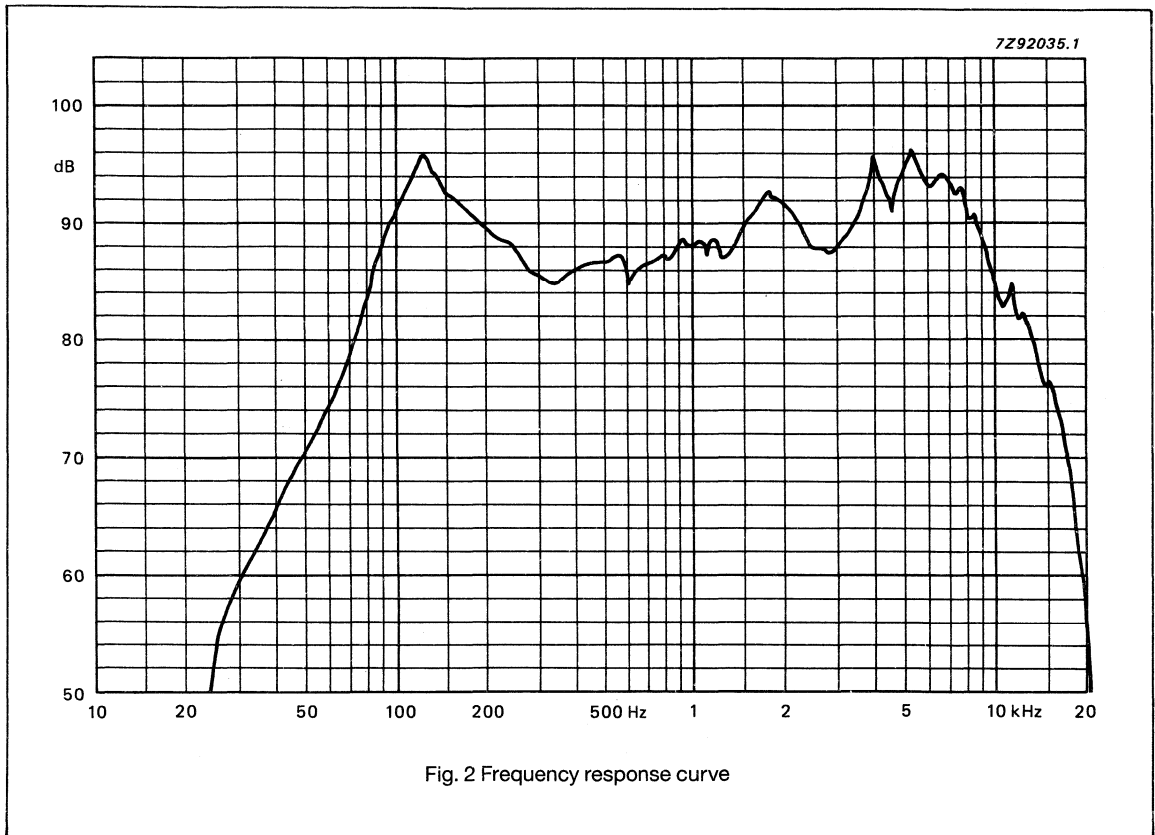


Fig. 1 Outline dimensions (mm)

**4 x 6" Full Range Oval Loudspeaker****WD 46760 series****FREQUENCY RESPONSE CURVES**

Frequency response curves have been measured on an axis at a distance of 1 m with 1 W input power.



Catalogue number: 2403 251 80401  
2403 251 80402  
2403 251 80403  
2403 251 80404

## Philips Components

Data sheet	
status	Product specification
date of issue	May 1990

# WD 46761 series

## 4 x 6" Full Range Oval Loudspeaker

### APPLICATION

Full range loudspeaker for video applications.

### DESCRIPTION

• Frame	material: plastic finish: none
• Membrane	colour: black
• Suspension	material: paper
• Dust cap	material: plastic colour: black
• Gasket	none

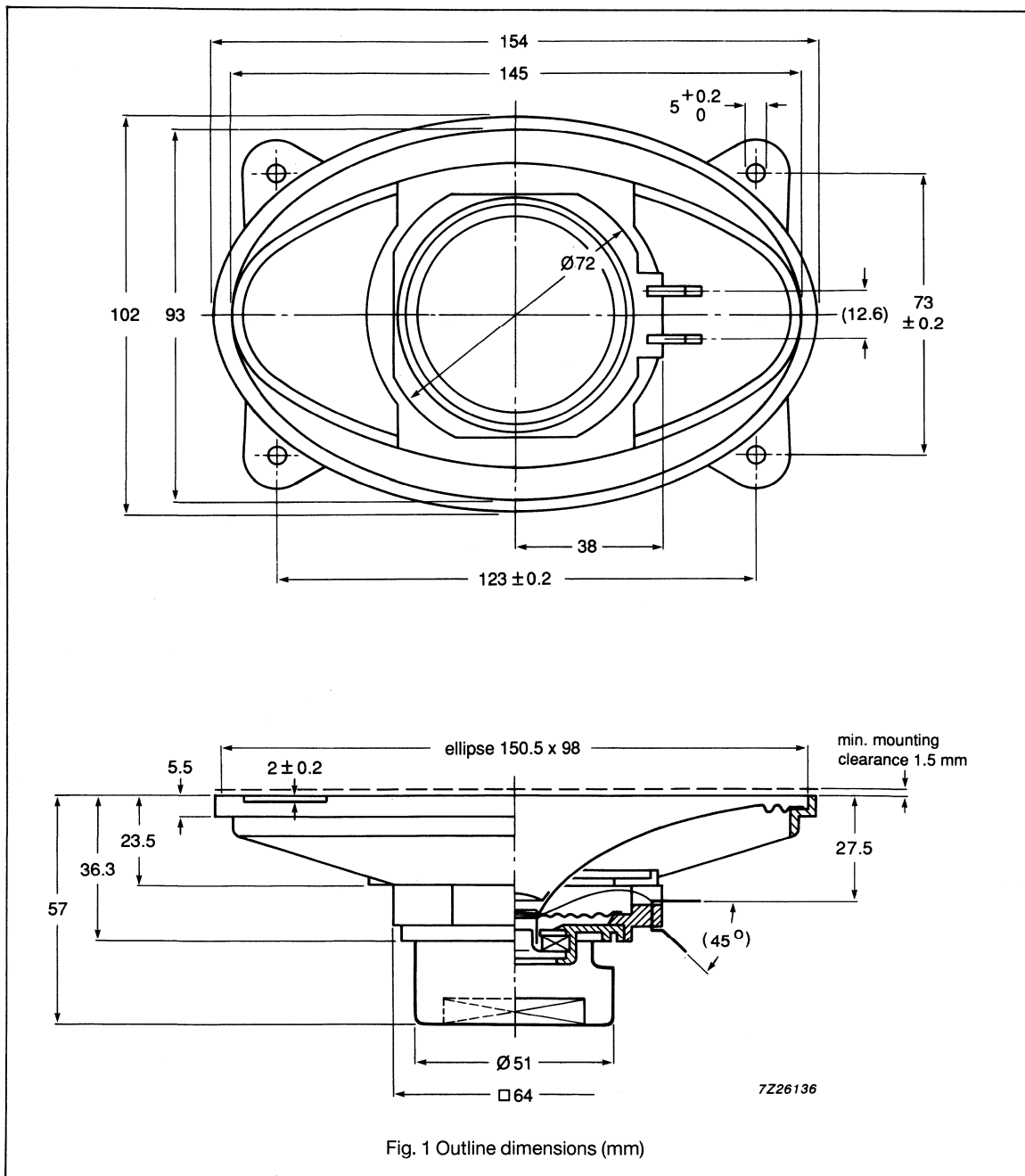
### TECHNICAL DATA

	version				unit
	X4	X8	X15	X25	
<b>Unmounted</b>					
Rated impedance	4	8	15	25	$\Omega$
Voice coil resistance	3.6	7.2	13.5	22.5	$\Omega$
Resonance frequency	130	130	130	130	Hz
Sweep voltage	2.23	3.16	4.33	5.59	V
Magnetic flux density	0.74	0.74	0.74	0.74	T
Loudspeaker mass	100	100	100	100	g
<b>Mounted</b>					
Characteristic sensitivity		88			dB/W/m
Maximum noise power		2.5			W

# 4 x 6" Full Range Oval Loudspeaker

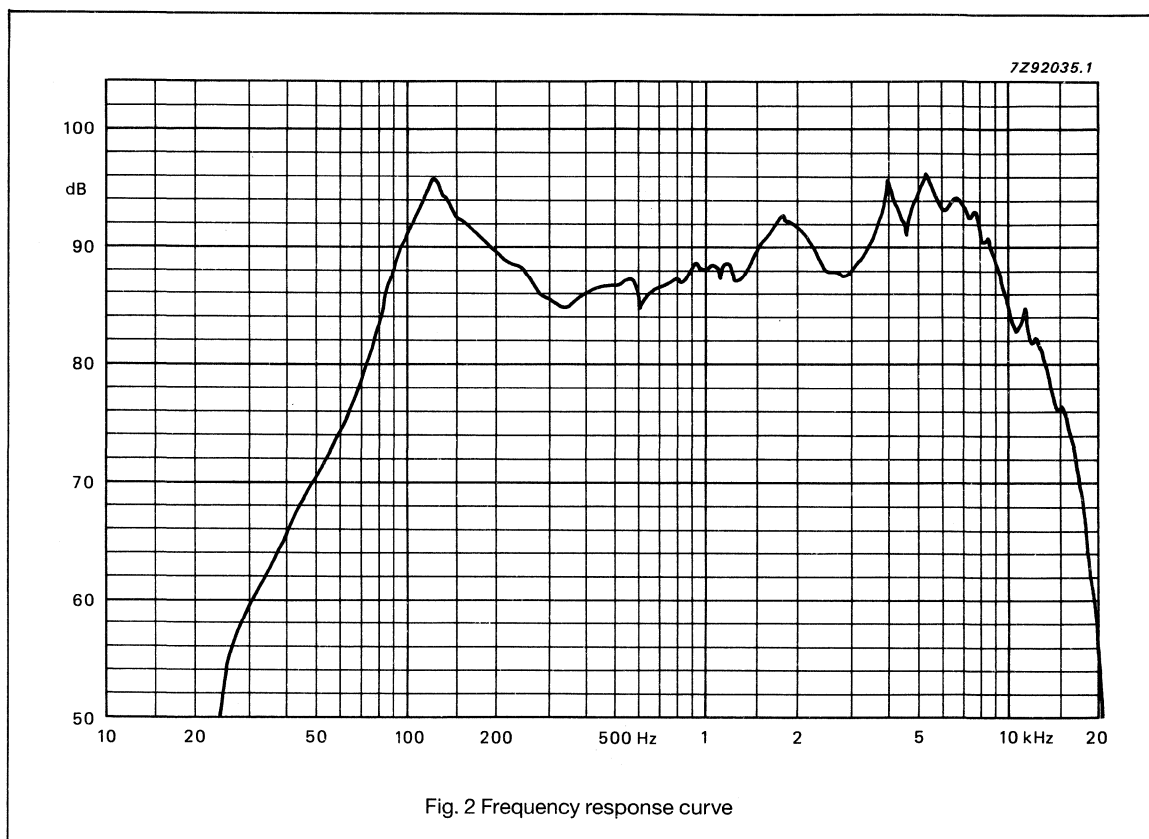
# WD 46761 series

## MECHANICAL DATA



**4 x 6" Full Range Oval Loudspeaker****WD 46761 series****FREQUENCY RESPONSE CURVES**

Frequency response curves have been measured on an axis at a distance of 1 m with 1 W input power.



Catalogue number: 2403 251 81401  
2403 251 81402  
2403 251 81403  
2403 251 81404



**Philips Components**

Data sheet	
status	Product specification
date of issue	May 1990

# WD 46762 series

## 4 x 6" Full Range Oval Loudspeaker

**APPLICATION**

Full range loudspeaker for video applications.

**DESCRIPTION**

• Frame	material: plastic finish: none
• Membrane	colour: black
• Suspension	material: paper
• Dust cap	material: plastic colour: black
• Gasket	: none

**TECHNICAL DATA**

	version				unit
	X4	X8	X15	X25	
<b>Unmounted</b>					
Rated impedance	4	8	15	25	$\Omega$
Voice coil resistance	3.6	7.2	13.5	22.5	$\Omega$
Resonance frequency	130	130	130	130	Hz
Sweep voltage	2.23	3.16	4.33	5.59	V
Magnetic flux density	0.74	0.74	0.74	0.74	T
Loudspeaker mass	100	100	100	100	g
<b>Mounted</b>					
Characteristic sensitivity		88			dB/W/m
Maximum noise power		2.5			W

# 4 x 6" Full Range Oval Loudspeaker

# WD 46762 series

## MECHANICAL DATA

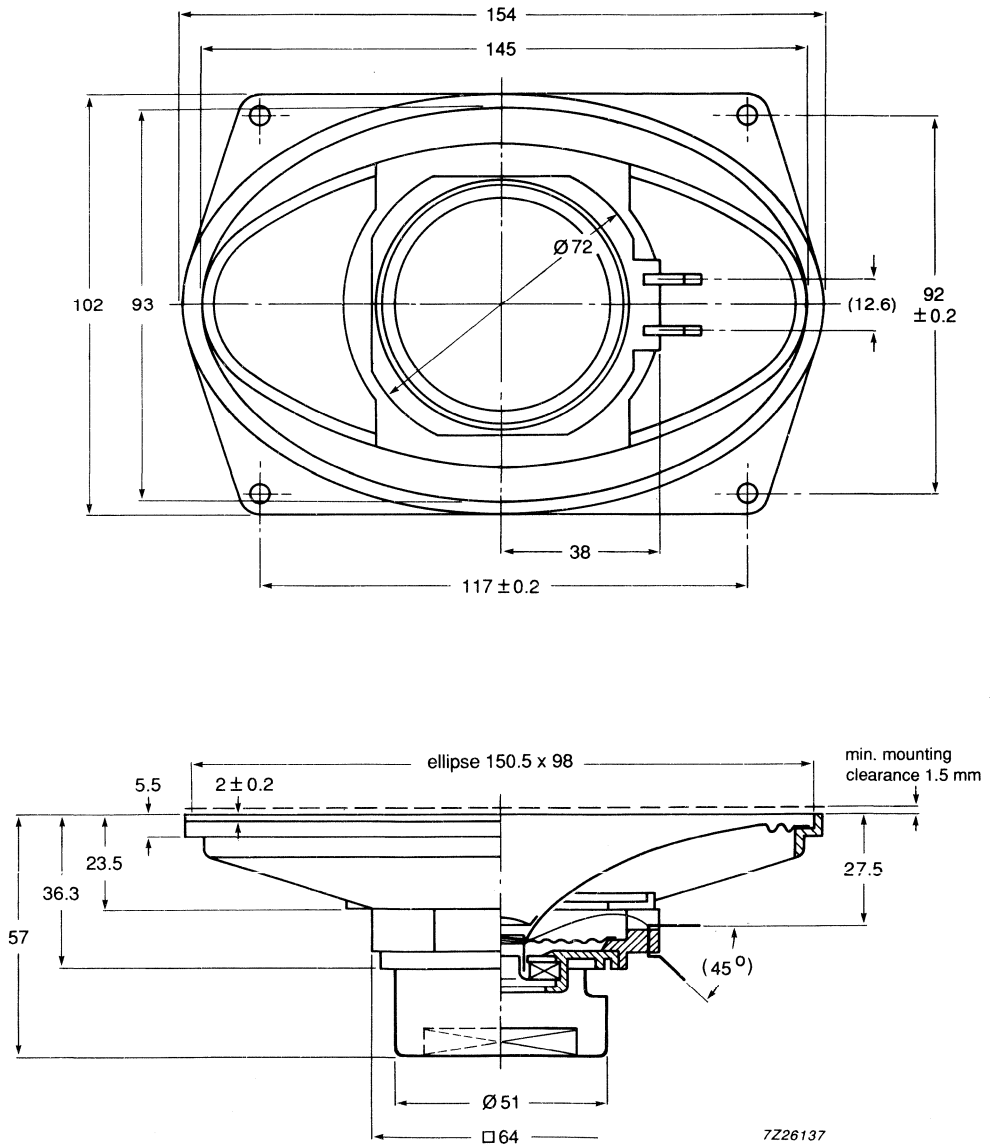
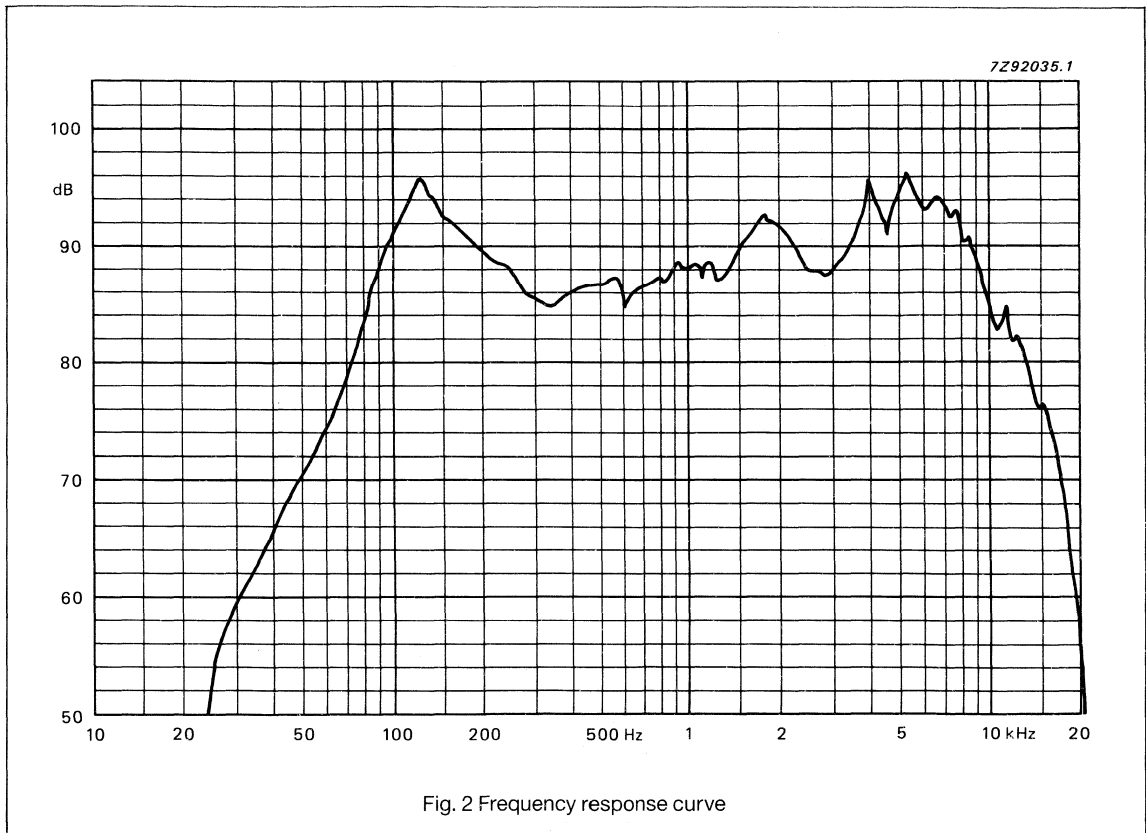


Fig. 1 Outline dimensions (mm)

**4 x 6" Full Range Oval Loudspeaker****WD 46762 series****FREQUENCY RESPONSE CURVES**

Frequency response curves have been measured on an axis at a distance of 1 m with 1 W input power.



Catalogue number: 2403 251 80501  
2403 251 80502  
2403 251 80503  
2403 251 80504

## Philips Components

Data sheet	
status	Product specification
date of issue	May 1990

# WD 46765 series

## 4 x 6" Full Range Oval Loudspeaker

### APPLICATION

Full range loudspeaker for video applications.

### DESCRIPTION

• Frame	material: plastic finish: none
• Membrane	colour: black
• Suspension	material: paper
• Dust cap	material: plastic colour: black
• Gasket	none

### TECHNICAL DATA

	version				unit
	X4	X8	X15	X25	
<b>Unmounted</b>					
Rated impedance	4	8	15	25	$\Omega$
Voice coil resistance	3.6	7.2	13.5	22.5	$\Omega$
Resonance frequency	130	130	130	130	Hz
Sweep voltage	2.84	3.74	5.12	6.61	V
Magnetic flux density	0.74	0.74	0.74	0.74	T
Loudspeaker mass	100	100	100	100	g
<b>Mounted</b>					
Characteristic sensitivity		88			dB/W/m
Maximum noise power		3.5			W

4 x 6" Full Range Oval Loudspeaker

WD 46765 series

MECHANICAL DATA

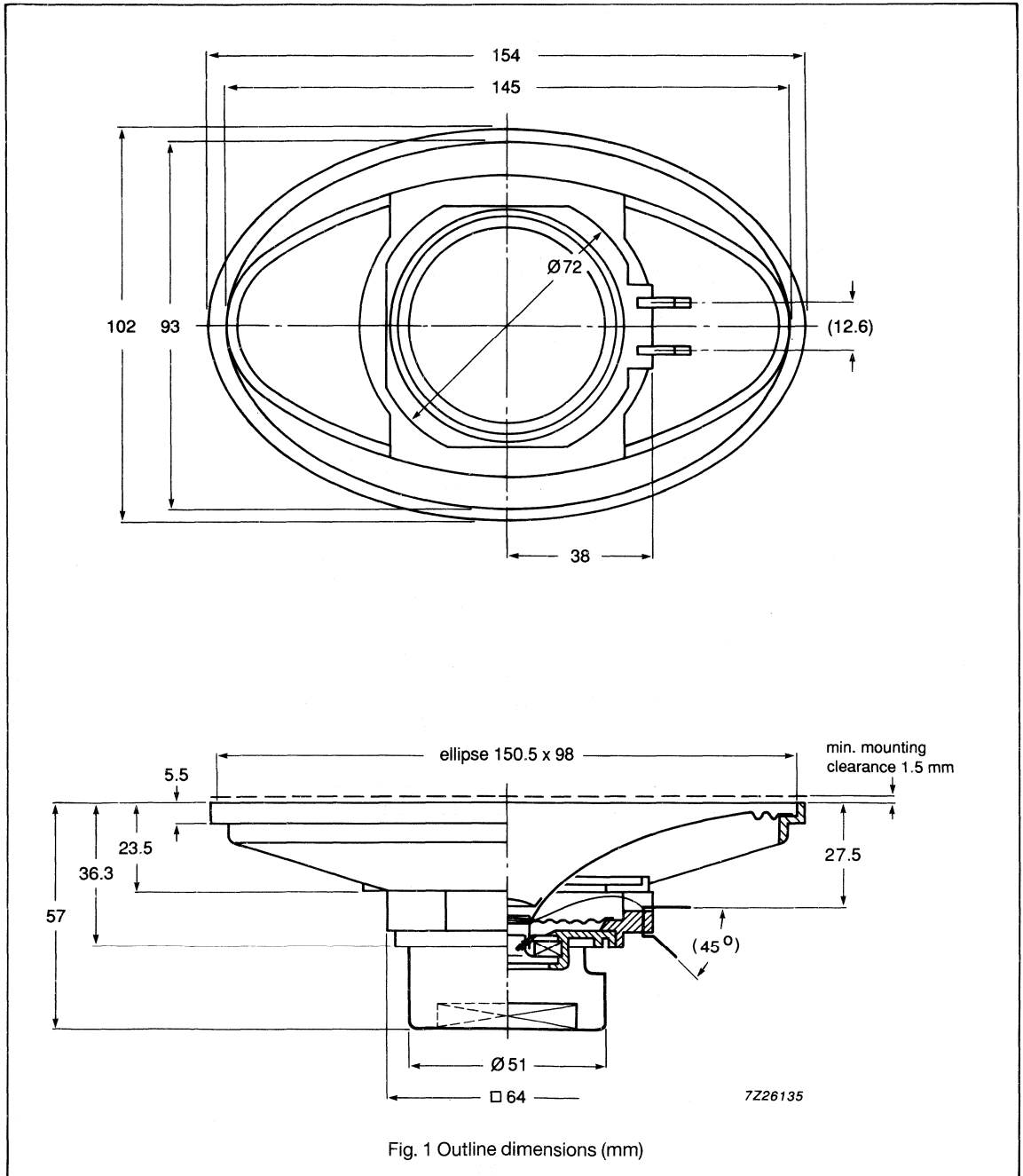
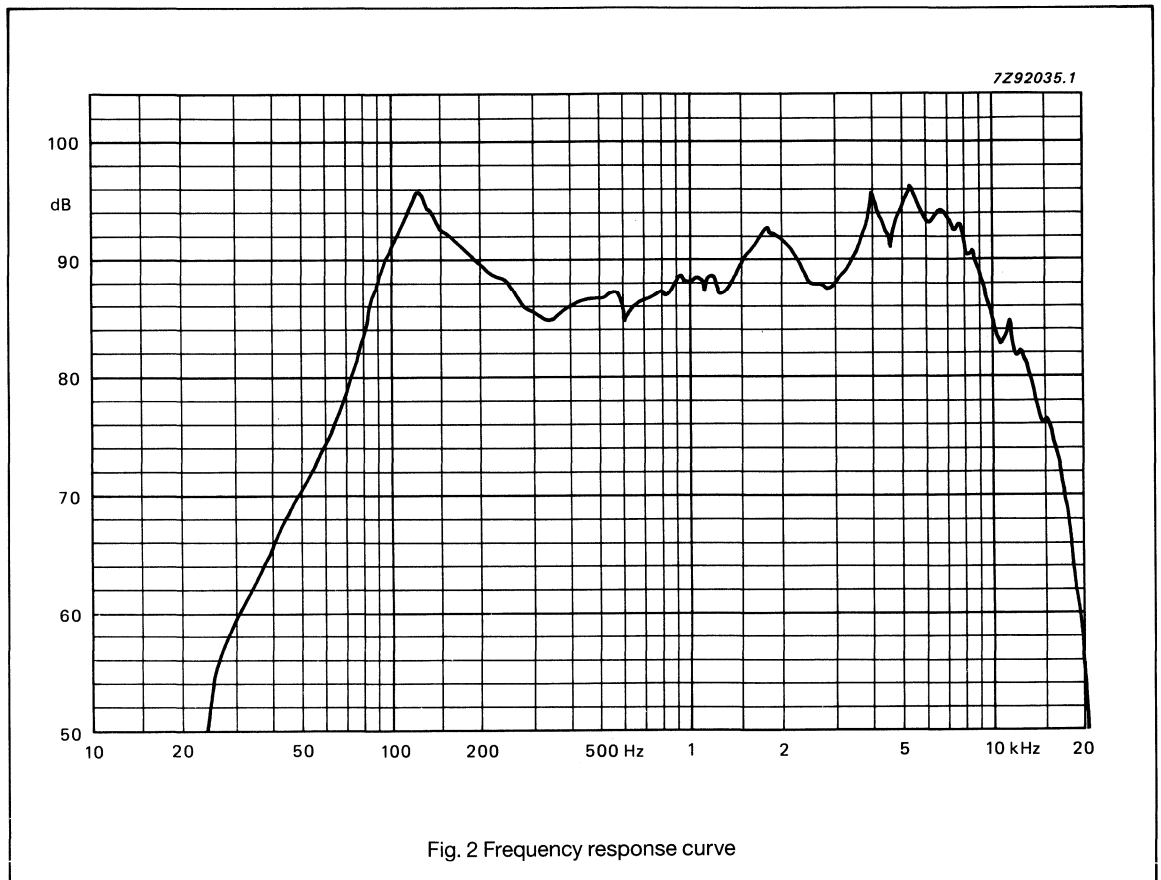


Fig. 1 Outline dimensions (mm)

**4 x 6" Full Range Oval Loudspeaker****WD 46765 series****FREQUENCY RESPONSE CURVES**

Frequency response curves have been measured on an axis at a distance of 1 m with 1 W input power.



Catalogue number: 2403 251 81001  
2403 251 81002  
2403 251 81003  
2403 251 81004

Data sheet	
status	Product specification
date of issue	May 1990

# WD 46766 series

## 4 x 6" Full Range Oval Loudspeaker

### APPLICATION

Full range loudspeaker for video applications.

### DESCRIPTION

• Frame	material: plastic finish: none
• Membrane	colour: black
• Suspension	material: paper
• Dust cap	material: plastic colour: black
• Gasket	none

### TECHNICAL DATA

	version				unit
	X4	X8	X15	X25	
<b>Unmounted</b>					
Rated impedance	4	8	15	25	Ω
Voice coil resistance	3.6	7.2	13.5	22.5	Ω
Resonance frequency	130	130	130	130	Hz
Sweep voltage	2.84	3.74	5.12	6.61	V
Magnetic flux density	0.74	0.74	0.74	0.74	T
Loudspeaker mass	100	100	100	100	g
<b>Mounted</b>					
Characteristic sensitivity	88				dB/W/m
Maximum noise power	3.5				W

4 x 6" Full Range Oval Loudspeaker

WD 46766 series

MECHANICAL DATA

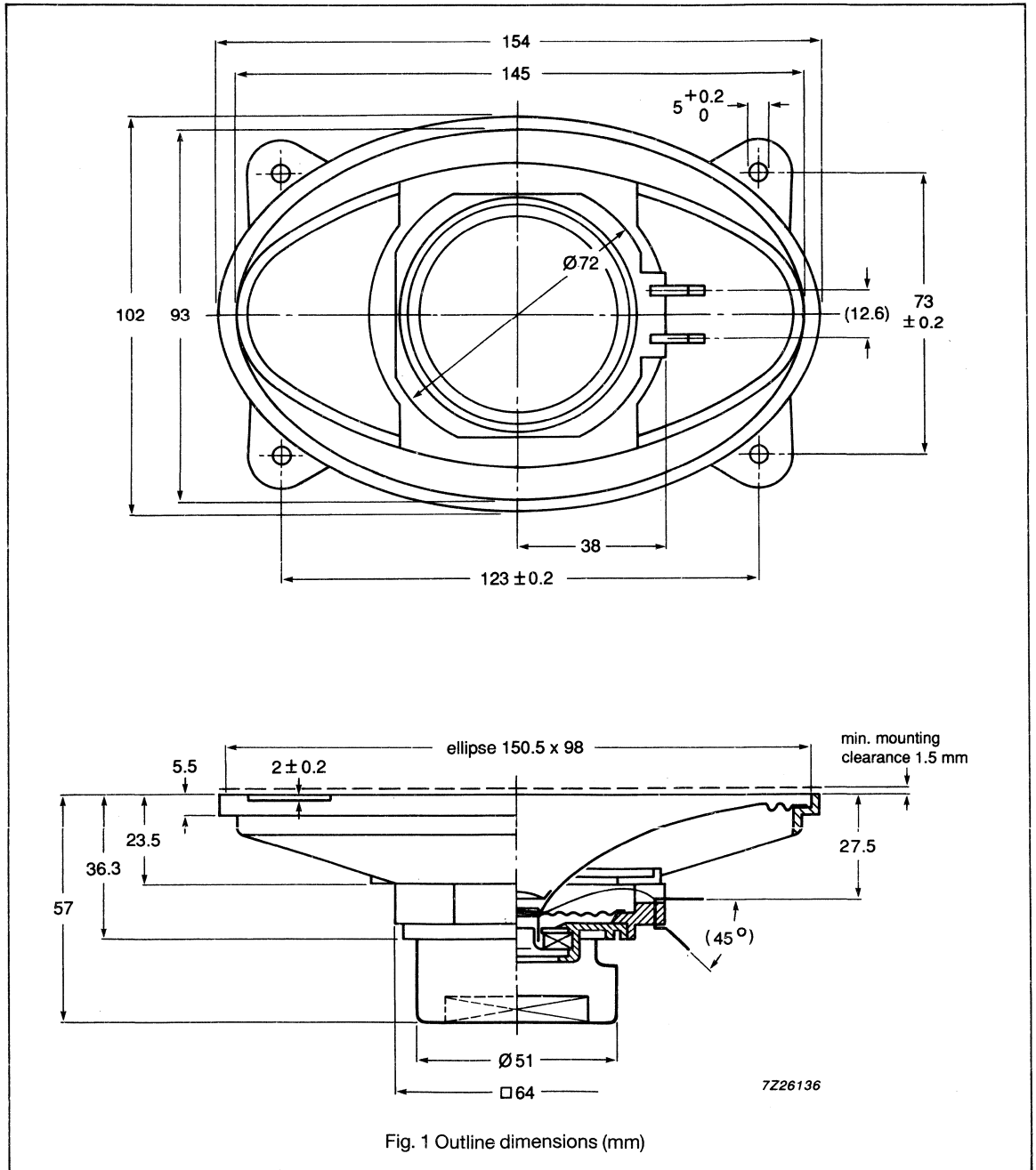
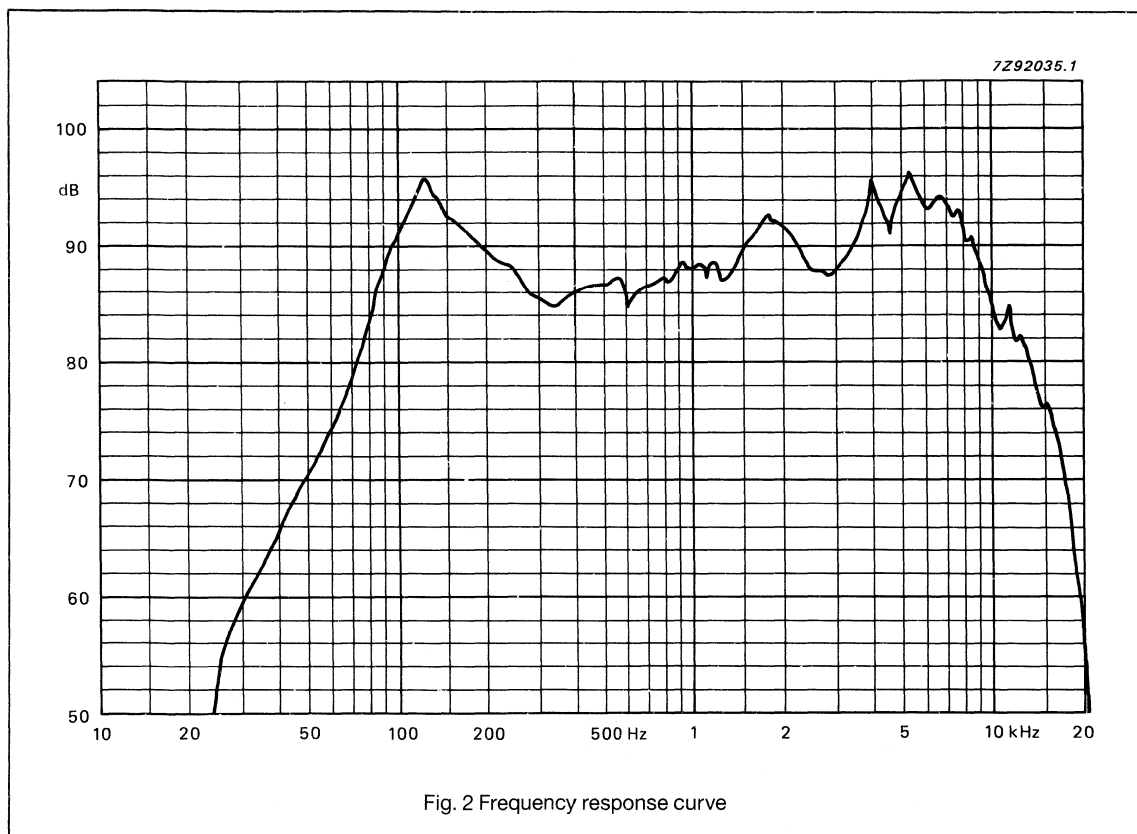


Fig. 1 Outline dimensions (mm)



**4 x 6" Full Range Oval Loudspeaker****WD 46766 series****FREQUENCY RESPONSE CURVES**

Frequency response curves have been measured on an axis at a distance of 1 m with 1 W input power.



Catalogue number: 2403 251 81701  
2403 251 81702  
2403 251 81703  
2403 251 81704

## Philips Components

Data sheet	
status	Product specification
date of issue	May 1990

# WD 46767 series

## 4 x 6" Full Range Oval Loudspeaker

### APPLICATION

Full range loudspeaker for video applications.

### DESCRIPTION

• Frame	material: plastic finish: none
• Membrane	colour: black
• Suspension	material: paper
• Dust cap	material: plastic colour: black
• Gasket	none

### TECHNICAL DATA

	version				unit
	X4	X8	X15	X25	
<b>Unmounted</b>					
Rated impedance	4	8	15	25	$\Omega$
Voice coil resistance	3.6	7.2	13.5	22.5	$\Omega$
Resonance frequency	130	130	130	130	Hz
Sweep voltage	2.84	3.74	5.12	6.61	V
Magnetic flux density	0.74	0.74	0.74	0.74	T
Loudspeaker mass	100	100	100	100	g
<b>Mounted</b>					
Characteristic sensitivity		88			dB/W/m
Maximum noise power		3.5			W

4 x 6" Full Range Oval Loudspeaker

WD 46767 series

MECHANICAL DATA

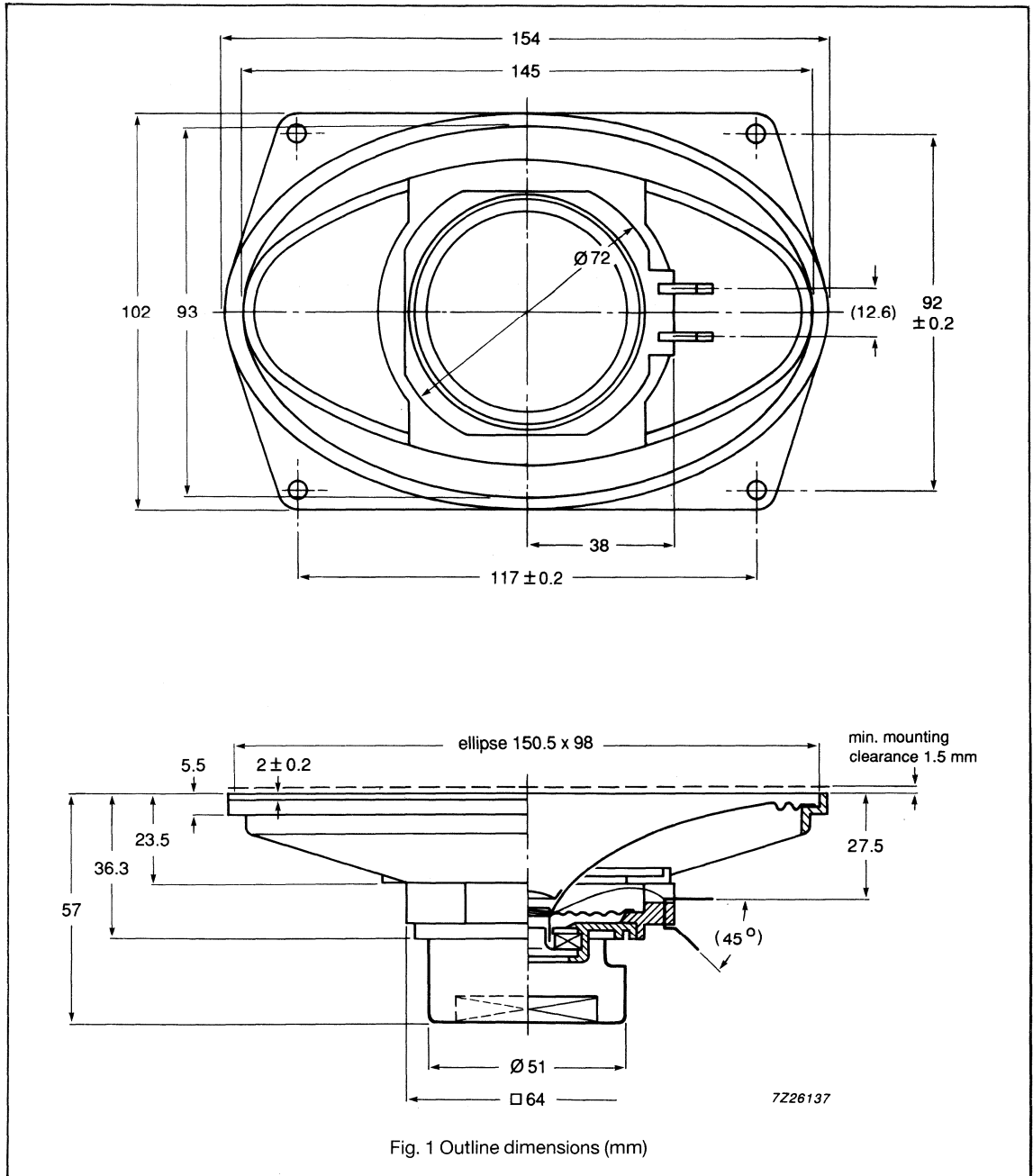
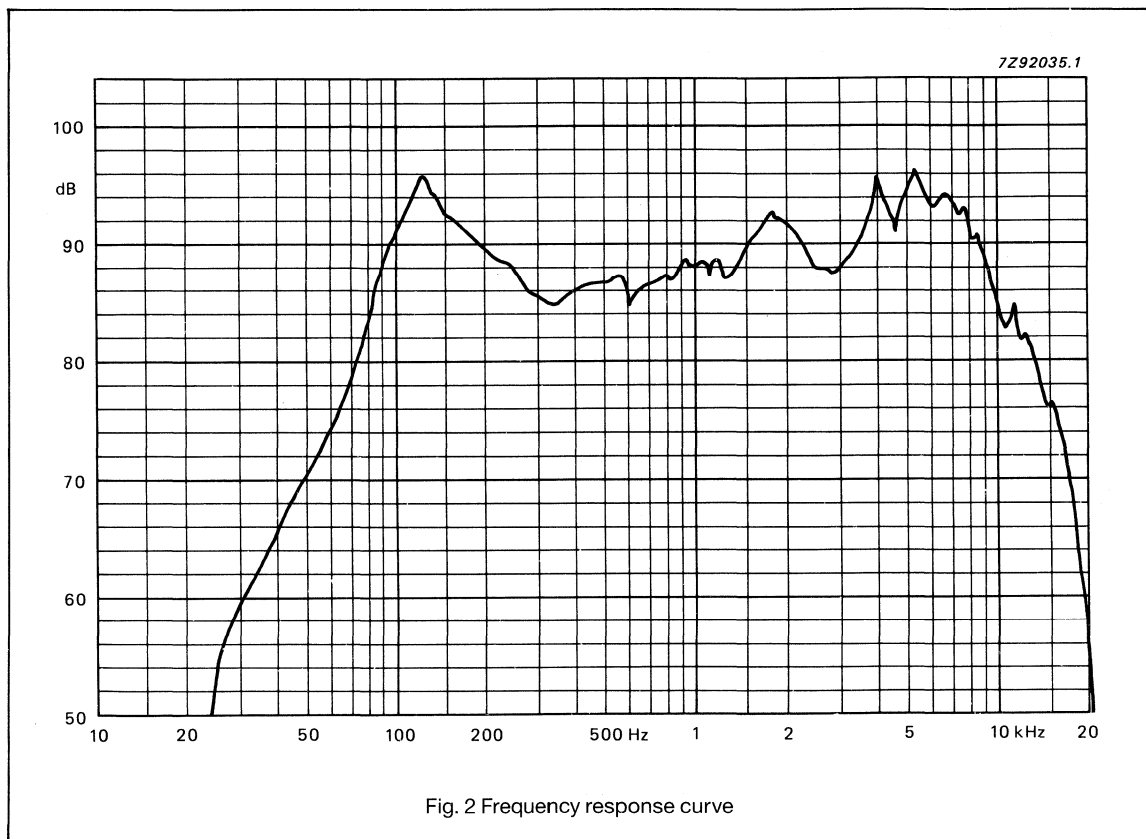


Fig. 1 Outline dimensions (mm)

**4 x 6" Full Range Oval Loudspeaker****WD 46767 series****FREQUENCY RESPONSE CURVES**

Frequency response curves have been measured on an axis at a distance of 1 m with 1 W input power.



Catalogue number: 2403 251 81101  
2403 251 81102  
2403 251 81103  
2403 251 81104

## Philips Components

Data sheet	
status	Product specification
date of issue	May 1990

# WD 46925 series

## 4 x 6" Full Range Oval Loudspeaker

### APPLICATION

Full range loudspeaker for audio applications.

### DESCRIPTION

• Frame	material: plastic finish: none
• Membrane	colour: black
• Suspension	material: paper
• Dust cap	material: plastic colour: black
• Gasket	none

### TECHNICAL DATA

	version				unit
	X4	X8	X15	X25	
<b>Unmounted</b>					
Rated impedance	4	8	15	25	$\Omega$
Voice coil resistance	3.6	7.2	13.5	22.5	$\Omega$
Resonance frequency	130	130	130	130	Hz
Sweep voltage	3.74	5.29	7.24	9.35	V
Magnetic flux density	1.02	1.02	1.02	1.02	T
Loudspeaker mass	167	167	167	167	g
<b>Mounted</b>					
Characteristic sensitivity		92			dB/W/m
Maximum noise power		7.0			W

# 4 x 6" Full Range Oval Loudspeaker

# WD 46925 series

## MECHANICAL DATA

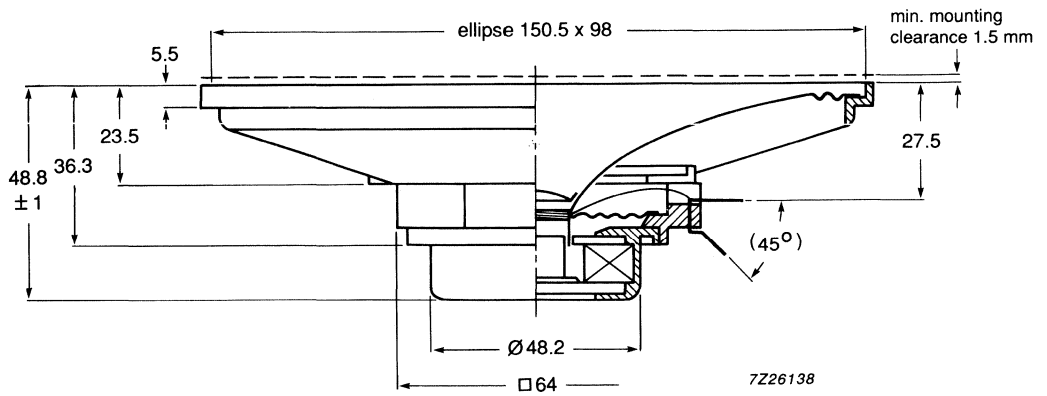
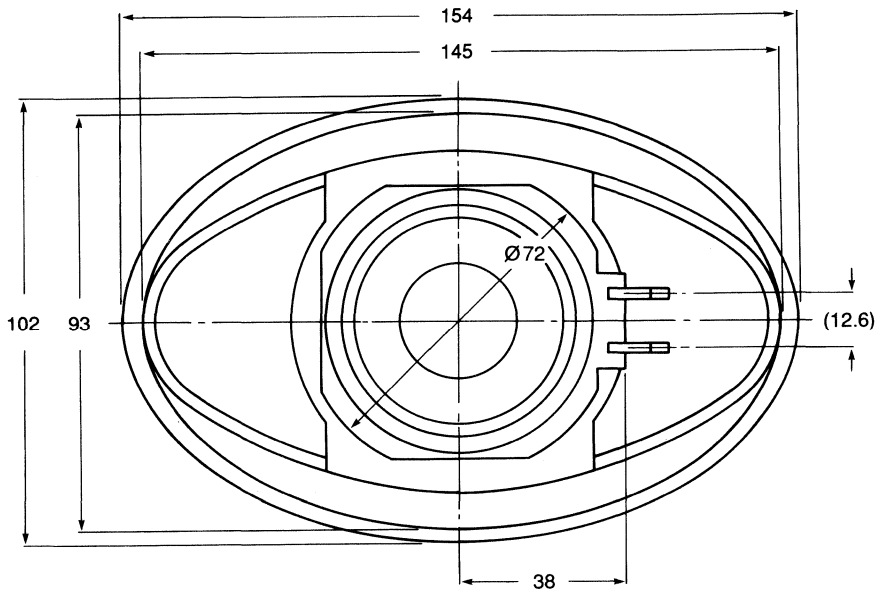


Fig. 1 Outline dimensions (mm)

**4 x 6" Full Range Oval Loudspeaker****WD 46925 series****FREQUENCY RESPONSE CURVES**

Frequency response curves have been measured on an axis at a distance of 1 m with 1 W input power.

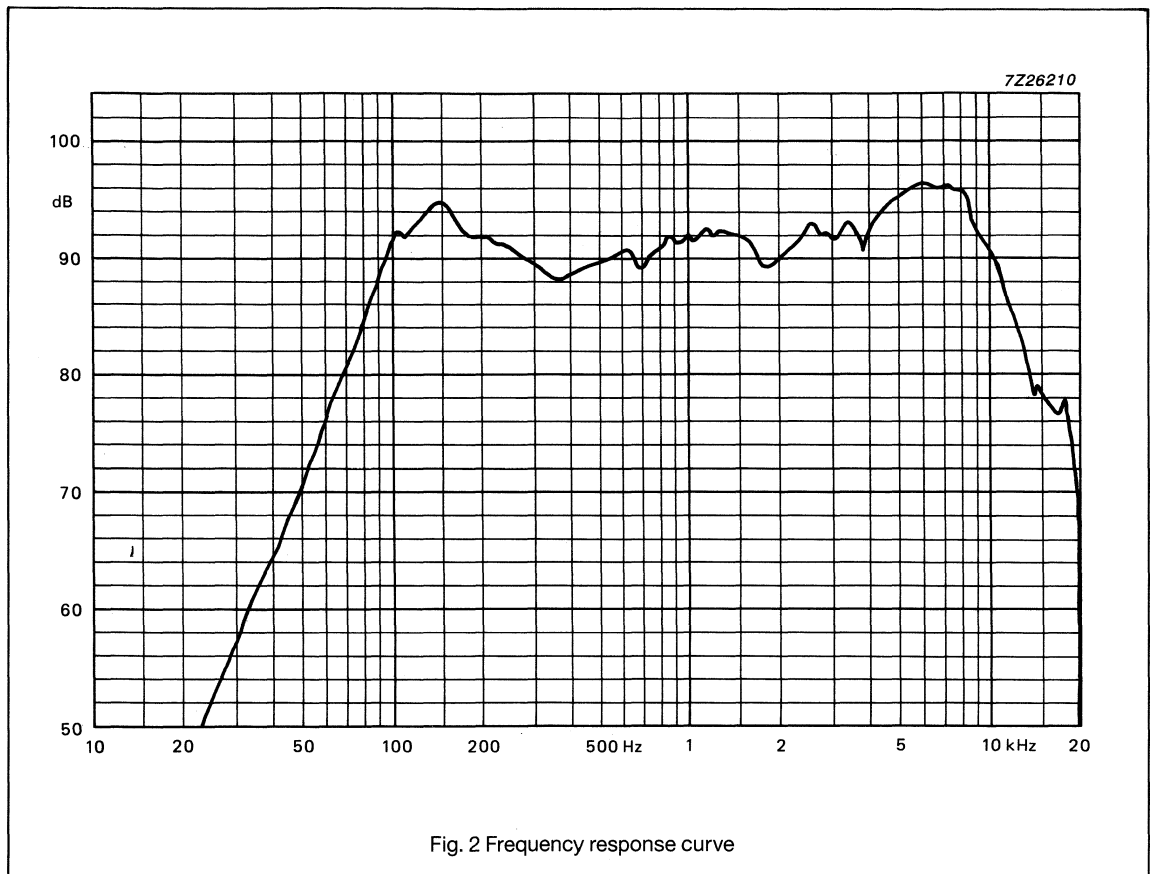


Fig. 2 Frequency response curve

Catalogue number: 2403 253 80601  
2403 253 80602  
2403 253 80603  
2403 253 80604

## Philips Components

Data sheet	
status	Product specification
date of issue	May 1990

# WD 46926 series

## 4 x 6" Full Range Oval Loudspeaker

### APPLICATION

Full range loudspeaker for audio applications.

### DESCRIPTION

• Frame	material: plastic finish: none
• Membrane	colour: black
• Suspension	material: paper
• Dust cap	material: plastic colour: black
• Gasket	none

### TECHNICAL DATA

	version				unit
	X4	X8	X15	X25	
<b>Unmounted</b>					
Rated impedance	4	8	15	25	$\Omega$
Voice coil resistance	3.6	7.2	13.5	22.5	$\Omega$
Resonance frequency	130	130	130	130	Hz
Sweep voltage	3.74	5.29	7.24	9.35	V
Magnetic flux density	1.02	1.02	1.02	1.02	T
Loudspeaker mass	167	167	167	167	g
<b>Mounted</b>					
Characteristic sensitivity		92			dB/W/m
Maximum noise power		7.0			W



# 4 x 6" Full Range Oval Loudspeaker

# WD 46926 series

## MECHANICAL DATA

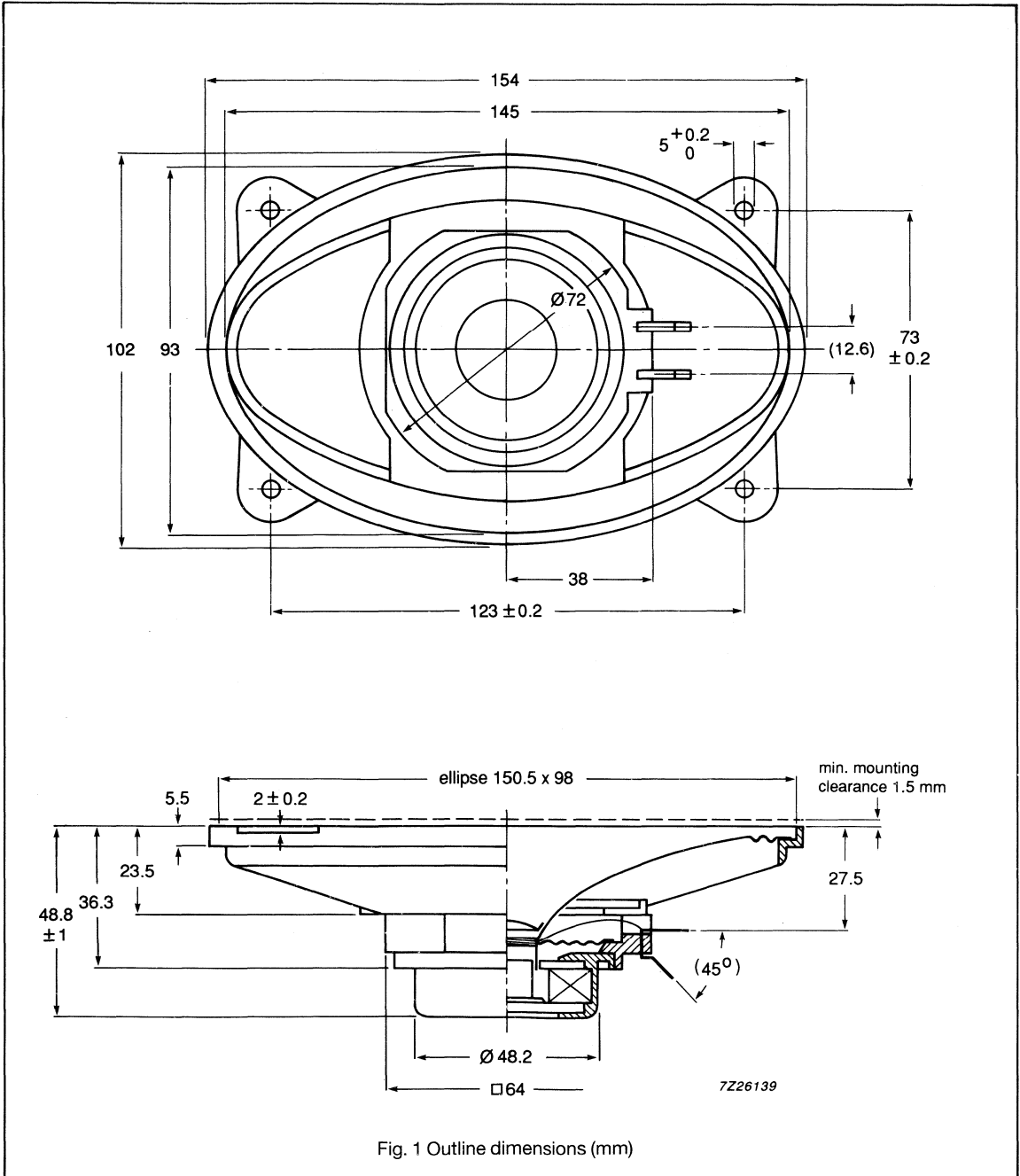


Fig. 1 Outline dimensions (mm)

**4 x 6" Full Range Oval Loudspeaker**

**WD 46926 series**

**FREQUENCY RESPONSE CURVES**

Frequency response curves have been measured on an axis at a distance of 1 m with 1 W input power.

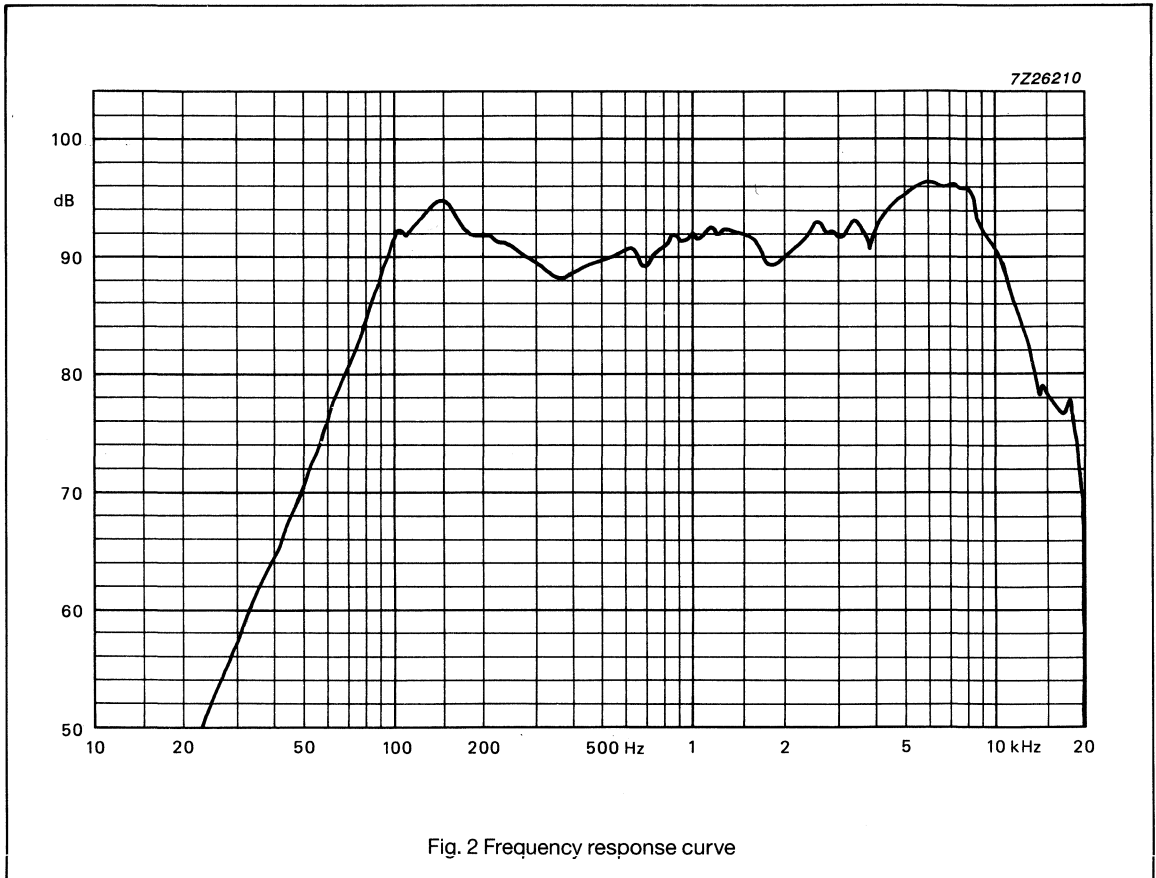


Fig. 2 Frequency response curve

- Catalogue number: 2403 253 81501
- 2403 253 81502
- 2403 253 81503
- 2403 253 81504

Data sheet	
status	Product specification
date of issue	May 1990

# WD 46927 series

## 4 x 6" Full Range Oval Loudspeaker

### APPLICATION

Full range loudspeaker for audio applications.

### DESCRIPTION

• Frame	material: plastic finish: none
• Membrane	colour: black
• Suspension	material: paper
• Dust cap	material: plastic colour: black
• Gasket	none

### TECHNICAL DATA

	version				unit
	X4	X8	X15	X25	
<b>Unmounted</b>					
Rated impedance	4	8	15	25	$\Omega$
Voice coil resistance	3.6	7.2	13.5	22.5	$\Omega$
Resonance frequency	130	130	130	130	Hz
Sweep voltage	3.74	5.29	7.24	9.35	V
Magnetic flux density	1.02	1.02	1.02	1.02	T
Loudspeaker mass	167	167	167	167	g
<b>Mounted</b>					
Characteristic sensitivity	92				dB/W/m
Maximum noise power	7.0				W

# 4 x 6" Full Range Oval Loudspeaker

# WD 46927 series

## MECHANICAL DATA

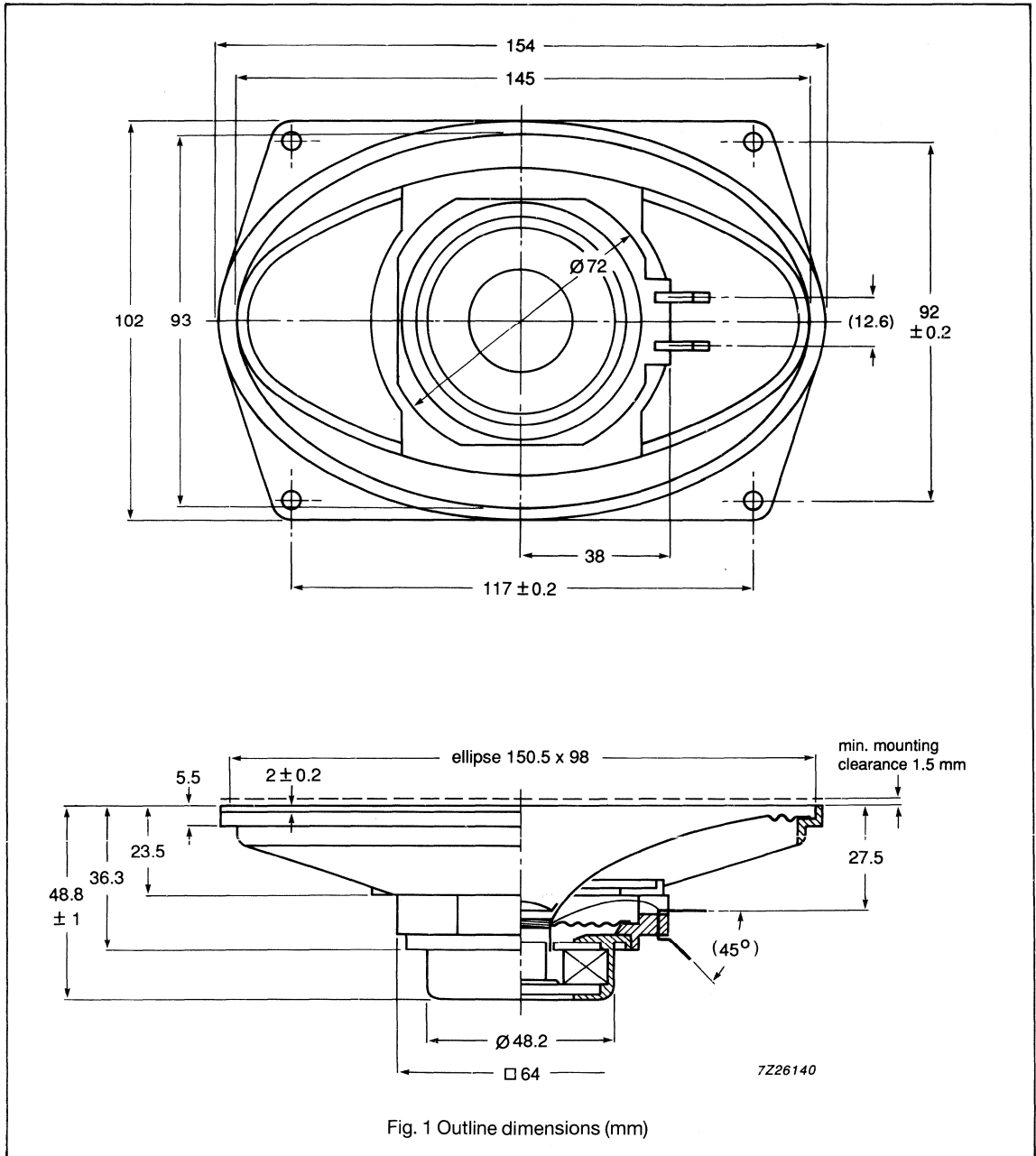
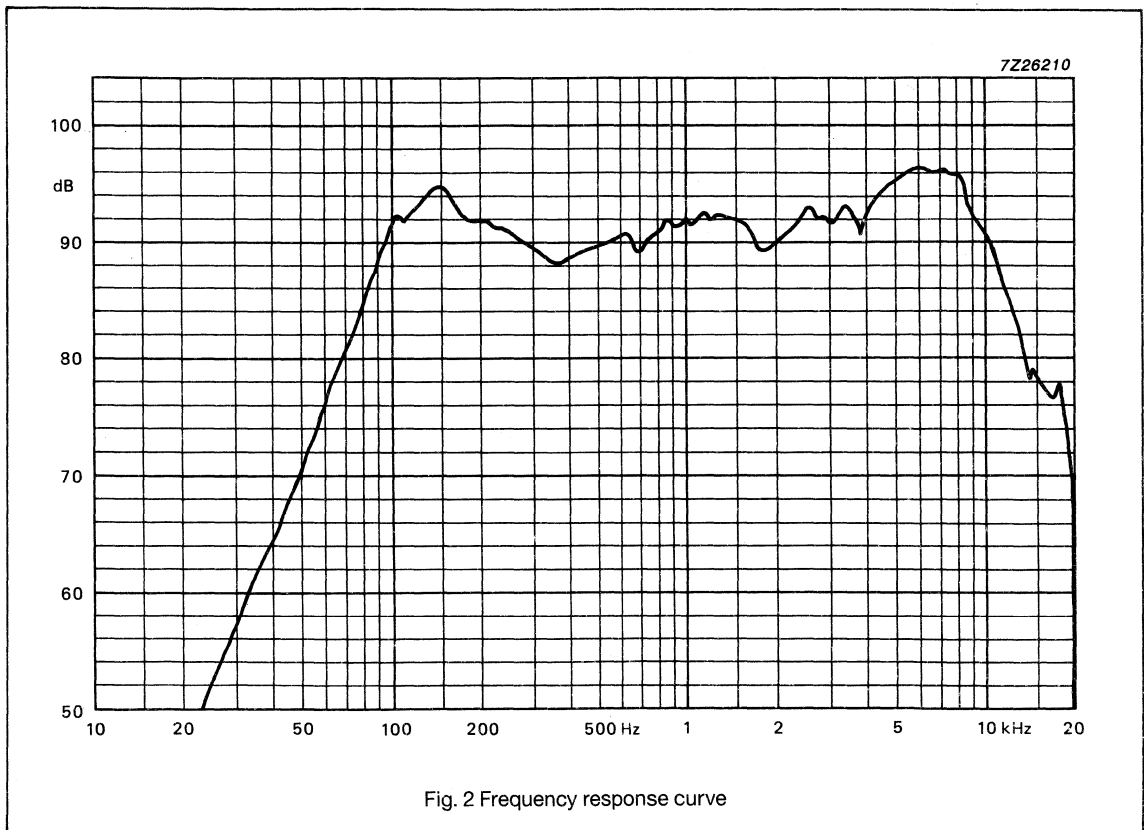


Fig. 1 Outline dimensions (mm)

**4 x 6" Full Range Oval Loudspeaker****WD 46927 series****FREQUENCY RESPONSE CURVES**

Frequency response curves have been measured on an axis at a distance of 1 m with 1 W input power.



Catalogue number: 2403 253 80701  
2403 253 80702  
2403 253 80703  
2403 253 80704

## Philips Components

Data sheet	
status	Product specification
date of issue	May 1990

# WD 46945 series

## 4 x 6" Full Range Oval Loudspeaker

### APPLICATION

Full range loudspeaker for video applications.

### DESCRIPTION

• Frame	material: plastic finish: none
• Membrane	colour: black
• Suspension	material: paper
• Dust cap	material: plastic colour: black
• Gasket	none

### TECHNICAL DATA

	version				unit
	X4	X8	X15	X25	
<b>Unmounted</b>					
Rated impedance	4	8	15	25	Ω
Voice coil resistance	3.6	7.2	13.5	22.5	Ω
Resonance frequency	130	130	130	130	Hz
Sweep voltage	3.74	5.29	7.24	9.35	V
Magnetic flux density	1.02	1.02	1.02	1.02	T
Loudspeaker mass	171	171	171	171	g
<b>Mounted</b>					
Characteristic sensitivity		92			dB/W/m
Maximum noise power		7.0			W

4 x 6" Full Range Oval Loudspeaker

WD 46945 series

MECHANICAL DATA

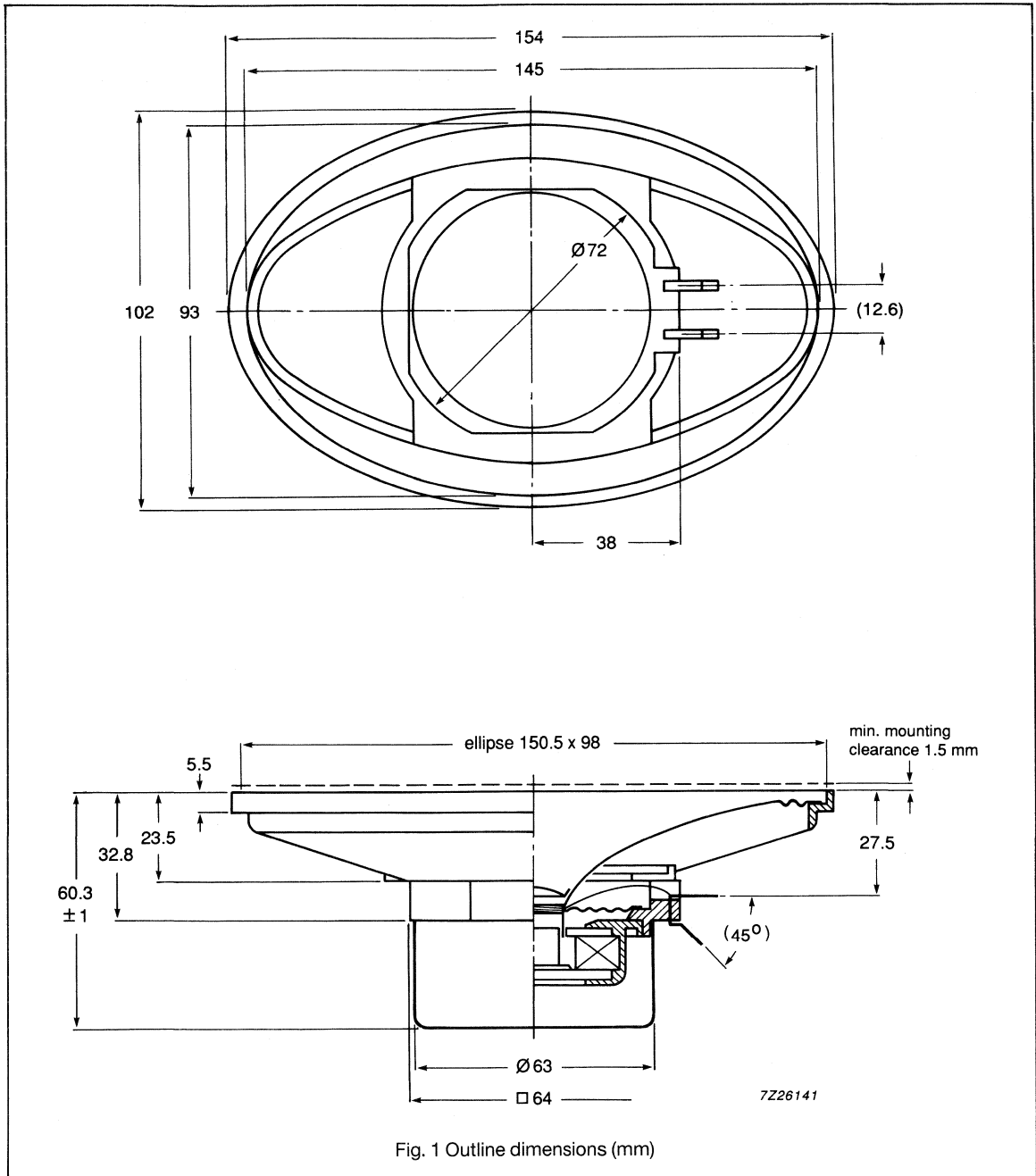
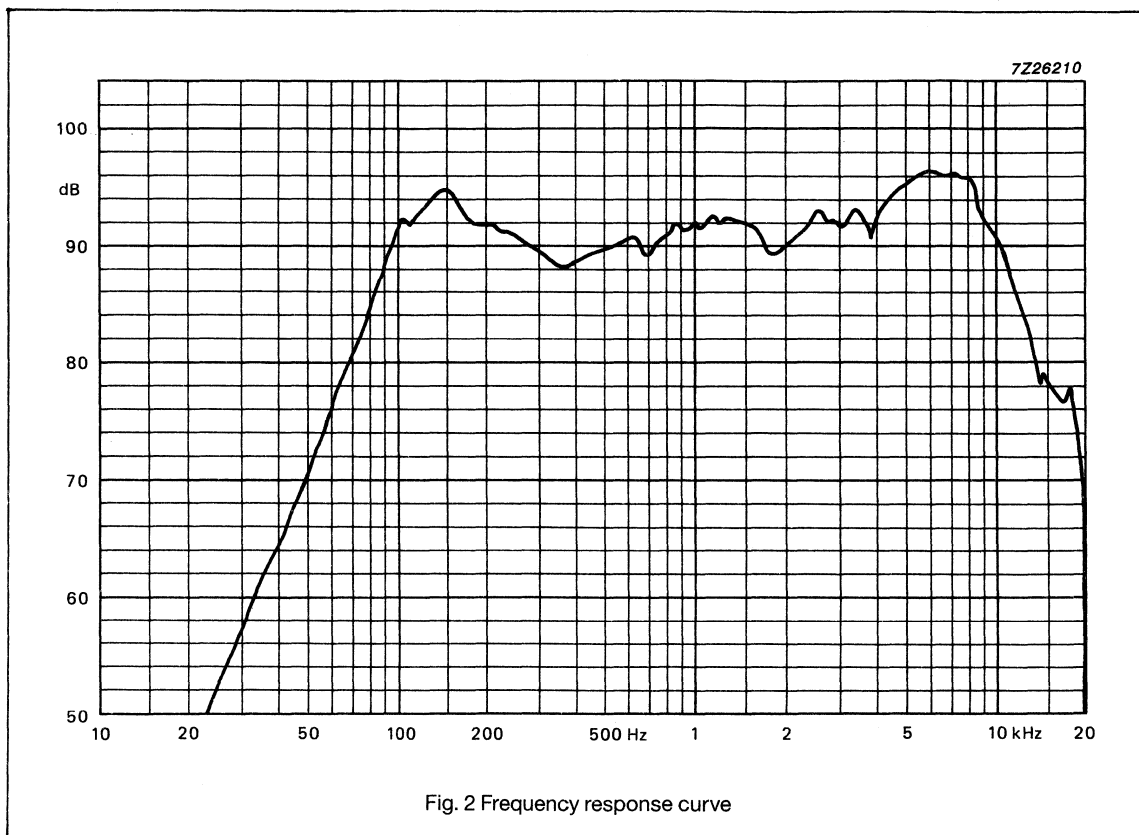


Fig. 1 Outline dimensions (mm)

**4 x 6" Full Range Oval Loudspeaker****WD 46945 series****FREQUENCY RESPONSE CURVES**

Frequency response curves have been measured on an axis at a distance of 1 m with 1 W input power.



Catalogue number: 2403 253 80801  
2403 253 80802  
2403 253 80803  
2403 253 80804



Data sheet	
status	Product specification
date of issue	May 1990

# WD 46946 series

## 4 x 6" Full Range Oval Loudspeaker

### APPLICATION

Full range loudspeaker for video applications.

### DESCRIPTION

• Frame	material: plastic finish: none
• Membrane	colour: black
• Suspension	material: paper
• Dust cap	material: plastic colour: black
• Gasket	none

### TECHNICAL DATA

	version				unit
	X4	X8	X15	X25	
<b>Unmounted</b>					
Rated impedance	4	8	15	25	Ω
Voice coil resistance	3.6	7.2	13.5	22.5	Ω
Resonance frequency	130	130	130	130	Hz
Sweep voltage	3.74	5.29	7.24	9.35	V
Magnetic flux density	1.02	1.02	1.02	1.02	T
Loudspeaker mass	171	171	171	171	g
<b>Mounted</b>					
Characteristic sensitivity		92			dB/W/m
Maximum noise power		7.0			W

4 x 6" Full Range Oval Loudspeaker

WD 46946 series

MECHANICAL DATA

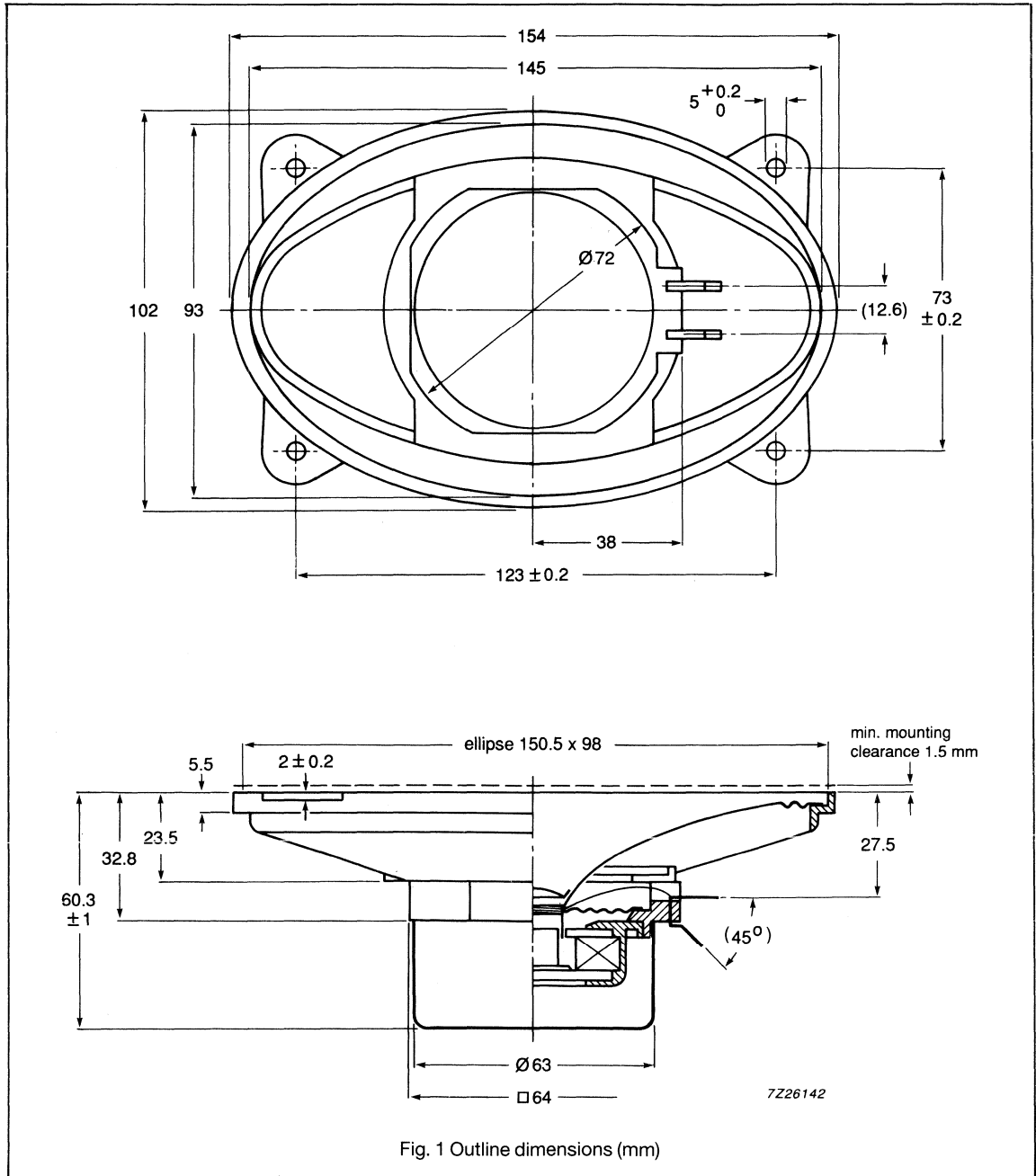
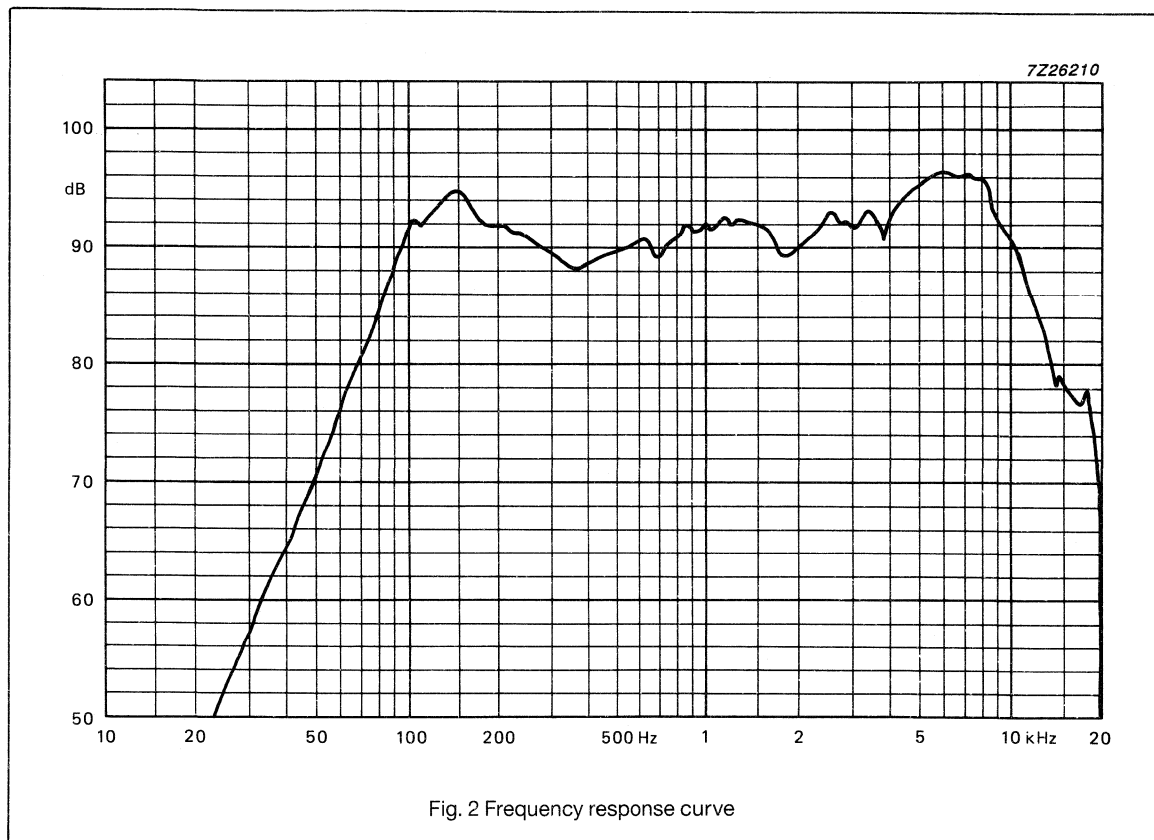


Fig. 1 Outline dimensions (mm)

**4 x 6" Full Range Oval Loudspeaker****WD 46946 series****FREQUENCY RESPONSE CURVES**

Frequency response curves have been measured on an axis at a distance of 1 m with 1 W input power.



Catalogue number: 2403 253 81601

2403 253 81602

2403 253 81603

2403 253 81604

**Philips Components**

<b>Data sheet</b>	
<b>status</b>	Product specification
<b>date of issue</b>	May 1990

# WD 46947 series

## 4 x 6" Full Range Oval Loudspeaker

**APPLICATION**

Full range loudspeaker for video applications.

**DESCRIPTION**

• Frame	material: plastic finish: none
• Membrane	colour: black
• Suspension	material: paper
• Dust cap	material: plastic colour: black
• Gasket	none

**TECHNICAL DATA**

	version				unit
	X4	X8	X15	X25	
<b>Unmounted</b>					
Rated impedance	4	8	15	25	Ω
Voice coil resistance	3.6	7.2	13.5	22.5	Ω
Resonance frequency	130	130	130	130	Hz
Sweep voltage	3.74	5.29	7.24	9.35	V
Magnetic flux density	1.02	1.02	1.02	1.02	T
Loudspeaker mass	171	171	171	171	g
<b>Mounted</b>					
Characteristic sensitivity					dB/W/m
Maximum noise power					W

4 x 6" Full Range Oval Loudspeaker

WD 46947 series

MECHANICAL DATA

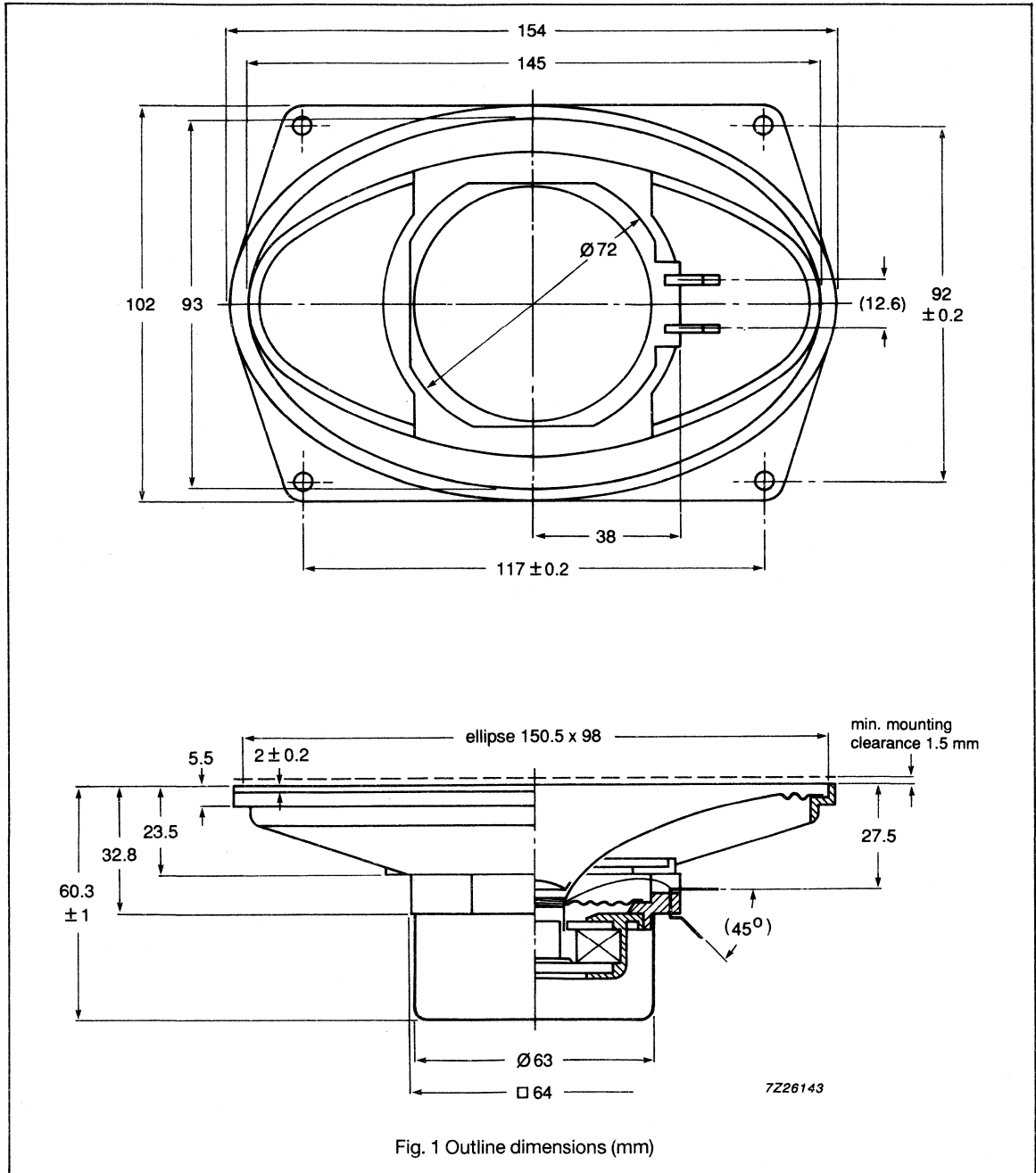
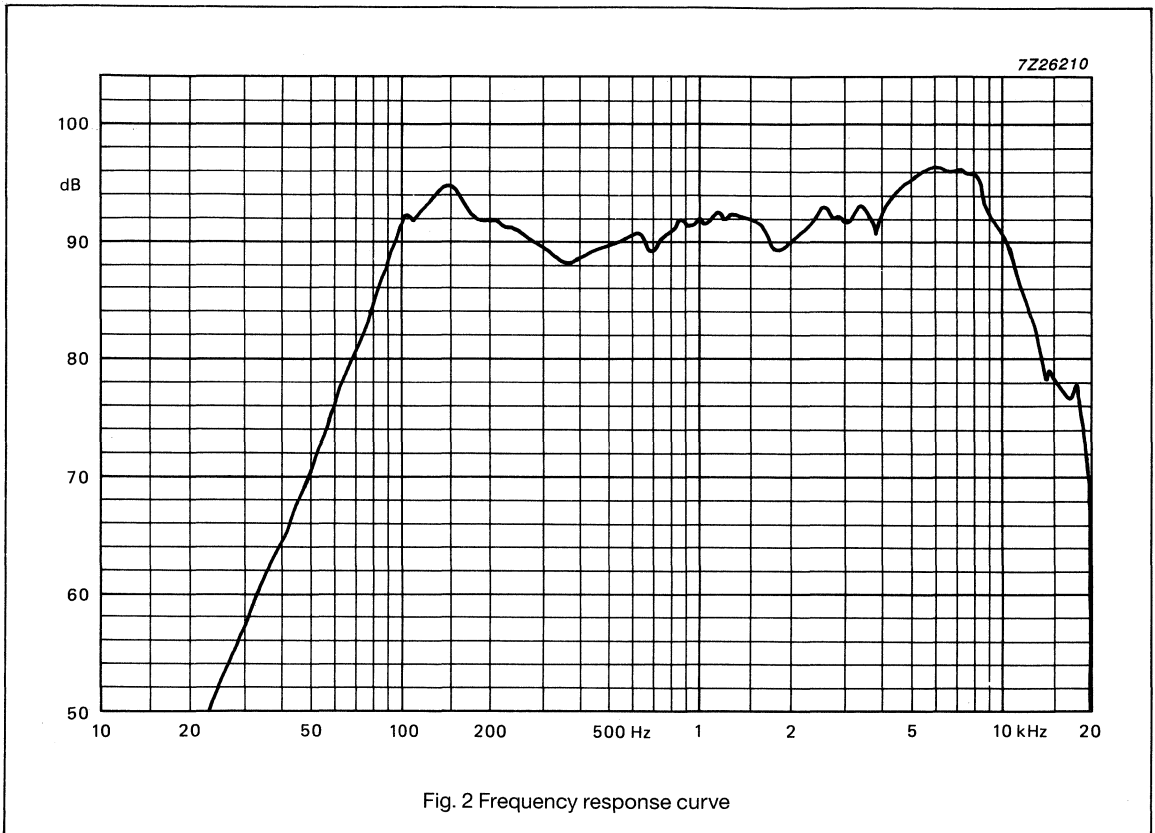


Fig. 1 Outline dimensions (mm)

**4 x 6" Full Range Oval Loudspeaker****WD 46947 series****FREQUENCY RESPONSE CURVES**

Frequency response curves have been measured on an axis at a distance of 1 m with 1 W input power.



Catalogue number: 2403 253 80901  
2403 253 80902  
2403 253 80903  
2403 253 80904

**Philips Components**

Data sheet	
status	Product specification
date of issue	May 1990

**WD 46965 series****4 x 6" Full Range Oval Loudspeaker****APPLICATION**

Full range loudspeaker for video applications.

**DESCRIPTION**

• Frame	material: plastic finish: none
• Membrane	colour: black
• Suspension	material: paper
• Dust cap	material: plastic colour: black
• Gasket	none

**TECHNICAL DATA**

	version				unit
	X4	X8	X15	X25	
<b>Unmounted</b>					
Rated impedance	4	8	15	25	$\Omega$
Voice coil resistance	3.6	7.2	13.5	22.5	$\Omega$
Resonance frequency	130	130	130	130	Hz
Sweep voltage	3.74	5.29	7.24	9.35	V
Magnetic flux density	1.02	1.02	1.02	1.02	T
Loudspeaker mass	183	183	183	183	g
<b>Mounted</b>					
Characteristic sensitivity		92			dB/W/m
Maximum noise power		7.0			W

# 4 x 6" Full Range Oval Loudspeaker

# WD 46965 series

## MECHANICAL DATA

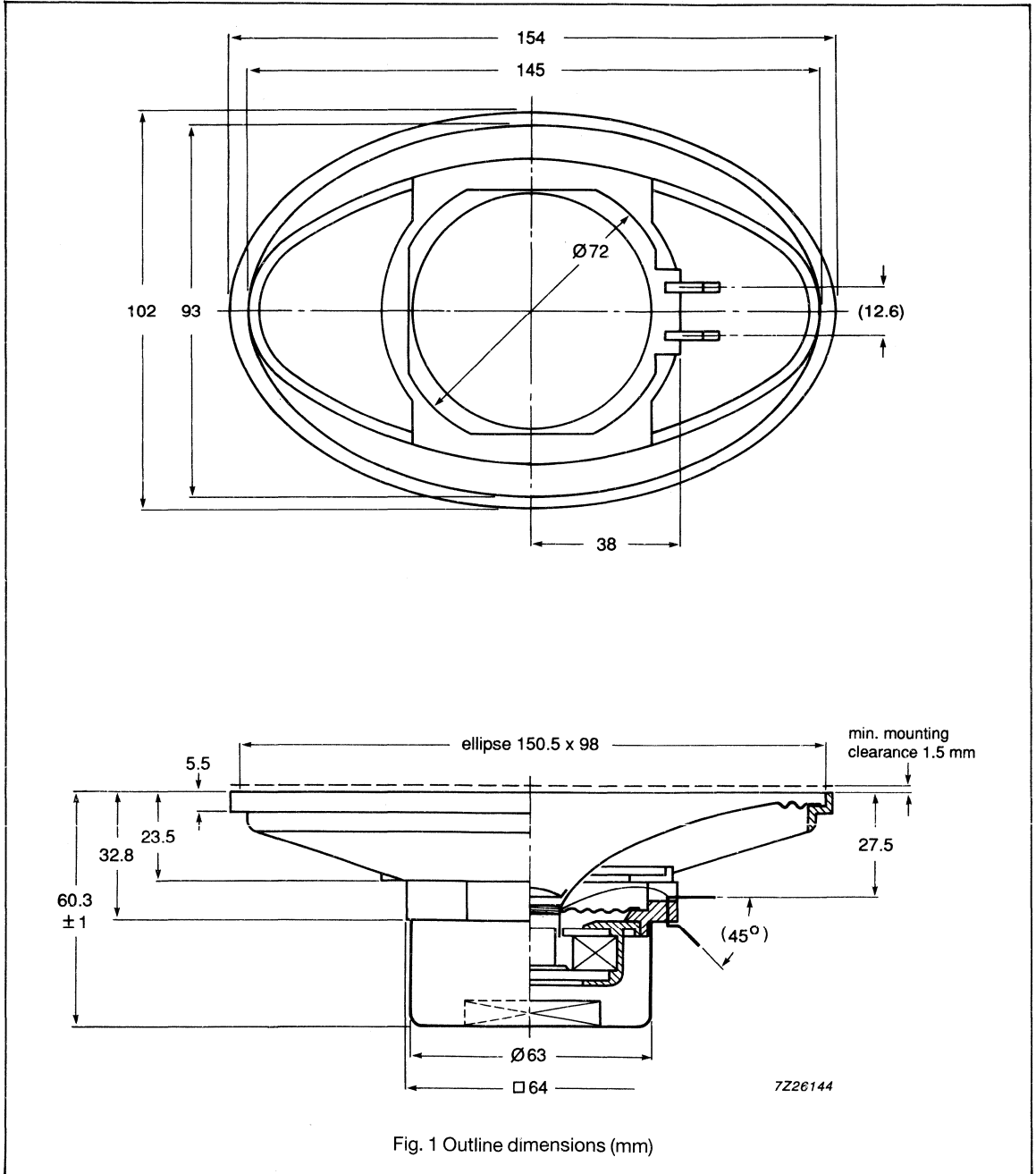


Fig. 1 Outline dimensions (mm)

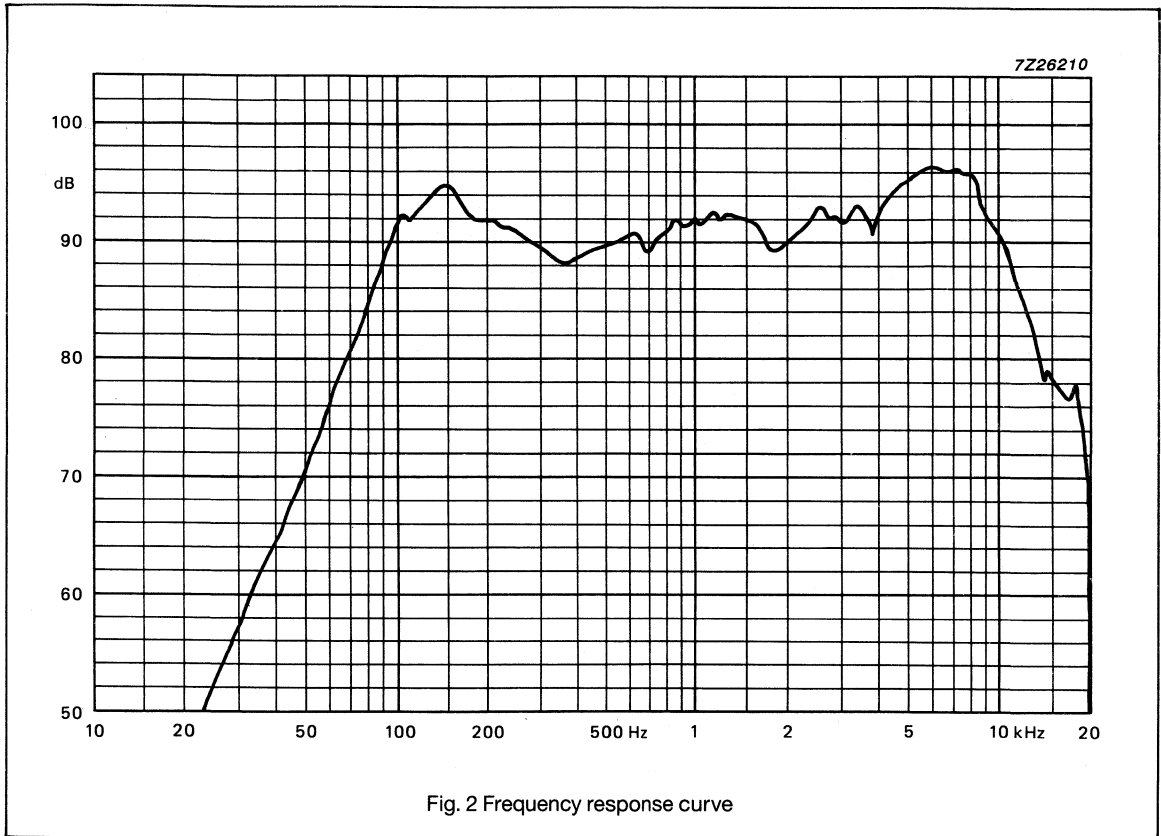


# 4 x 6" Full Range Oval Loudspeaker

**WD 46965 series**

## FREQUENCY RESPONSE CURVES

Frequency response curves have been measured on an axis at a distance of 1 m with 1 W input power.



Catalogue number: 2403 253 81001  
2403 253 81002  
2403 253 81003  
2403 253 81004

<b>Data sheet</b>	
<b>status</b>	Product specification
<b>date of issue</b>	May 1990

# WD 46966 series

## 4 x 6" Full Range Oval Loudspeaker

### APPLICATION

Full range loudspeaker for video applications.

### DESCRIPTION

• Frame	material: plastic finish: none
• Membrane	colour: black
• Suspension	material: paper
• Dust cap	material: plastic colour: black
• Gasket	none

### TECHNICAL DATA

	version				unit
	X4	X8	X15	X25	
<b>Unmounted</b>					
Rated impedance	4	8	15	25	Ω
Voice coil resistance	3.6	7.2	13.5	22.5	Ω
Resonance frequency	150	150	150	150	Hz
Sweep voltage	3.74	5.29	7.24	9.35	V
Magnetic flux density	1.02	1.02	1.02	1.02	T
Loudspeaker mass	183	183	183	183	g
<b>Mounted</b>					
Characteristic sensitivity		92			dB/W/m
Maximum noise power		7.0			W

4 x 6" Full Range Oval Loudspeaker

WD 46966 series

MECHANICAL DATA

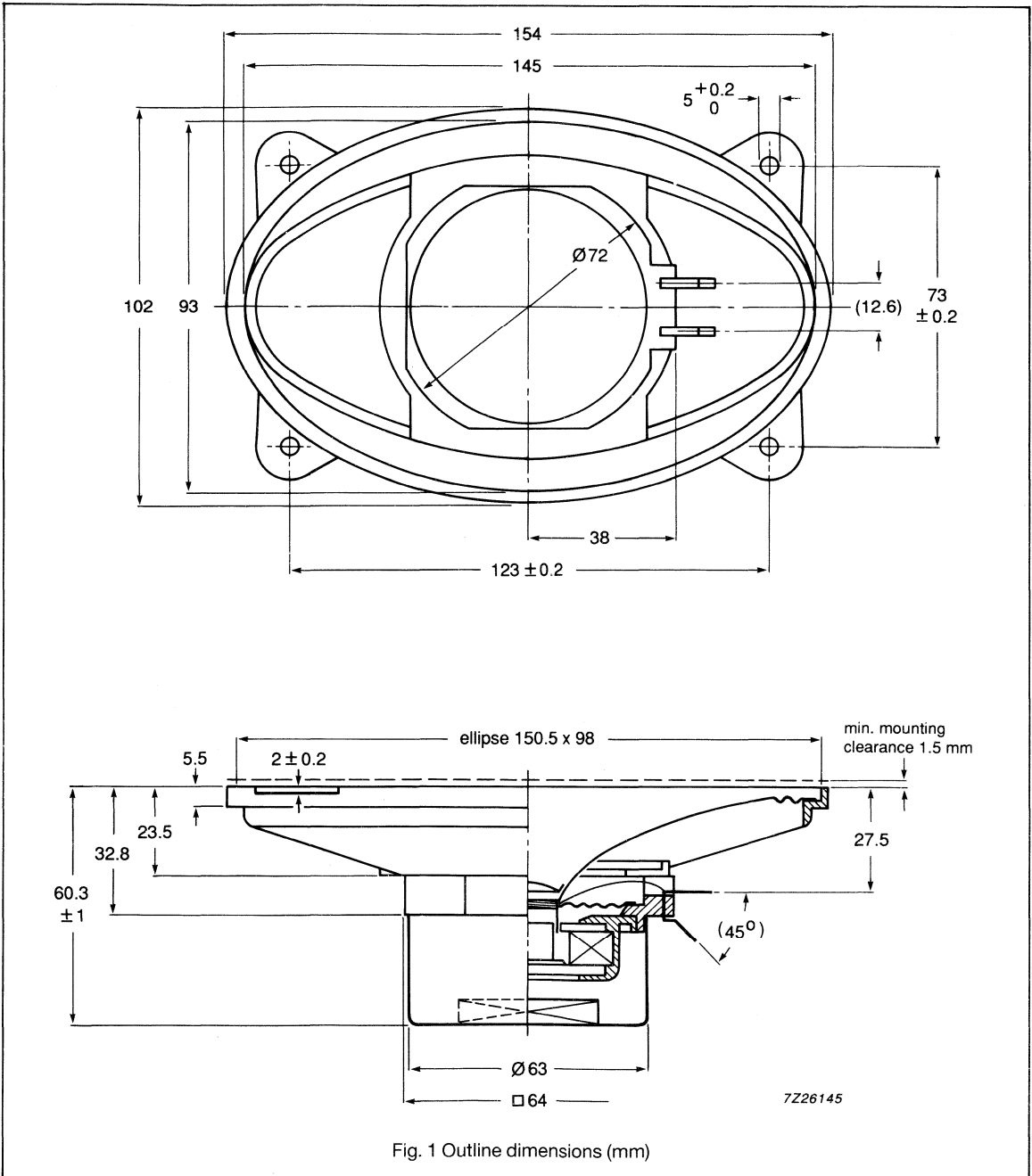


Fig. 1 Outline dimensions (mm)

**4 x 6" Full Range Oval Loudspeaker****WD 46966 series****FREQUENCY RESPONSE CURVES**

Frequency response curves have been measured on an axis at a distance of 1 m with 1 W input power.



Catalogue number: 2403 253 81701  
2403 253 81702  
2403 253 81703  
2403 253 81704

Data sheet	
status	Product specification
date of issue	May 1990

# WD 46967 series

## 4 x 6" Full Range Oval Loudspeaker

### APPLICATION

Full range loudspeaker for video applications.

### DESCRIPTION

• Frame	material: plastic finish: none
• Membrane	colour: black
• Suspension	material: paper
• Dust cap	material: plastic colour: black
• Gasket	none

### TECHNICAL DATA

	version				unit
	X4	X8	X15	X25	
<b>Unmounted</b>					
Rated impedance	4	8	15	25	Ω
Voice coil resistance	3.6	7.2	13.5	22.5	Ω
Resonance frequency	130	130	130	130	Hz
Sweep voltage	3.74	5.29	7.24	9.35	V
Magnetic flux density	1.02	1.02	1.02	1.02	T
Loudspeaker mass	183	183	183	183	g
<b>Mounted</b>					
Characteristic sensitivity		92			dB/W/m
Maximum noise power		7.0			W

4 x 6" Full Range Oval Loudspeaker

WD 46967 series

MECHANICAL DATA

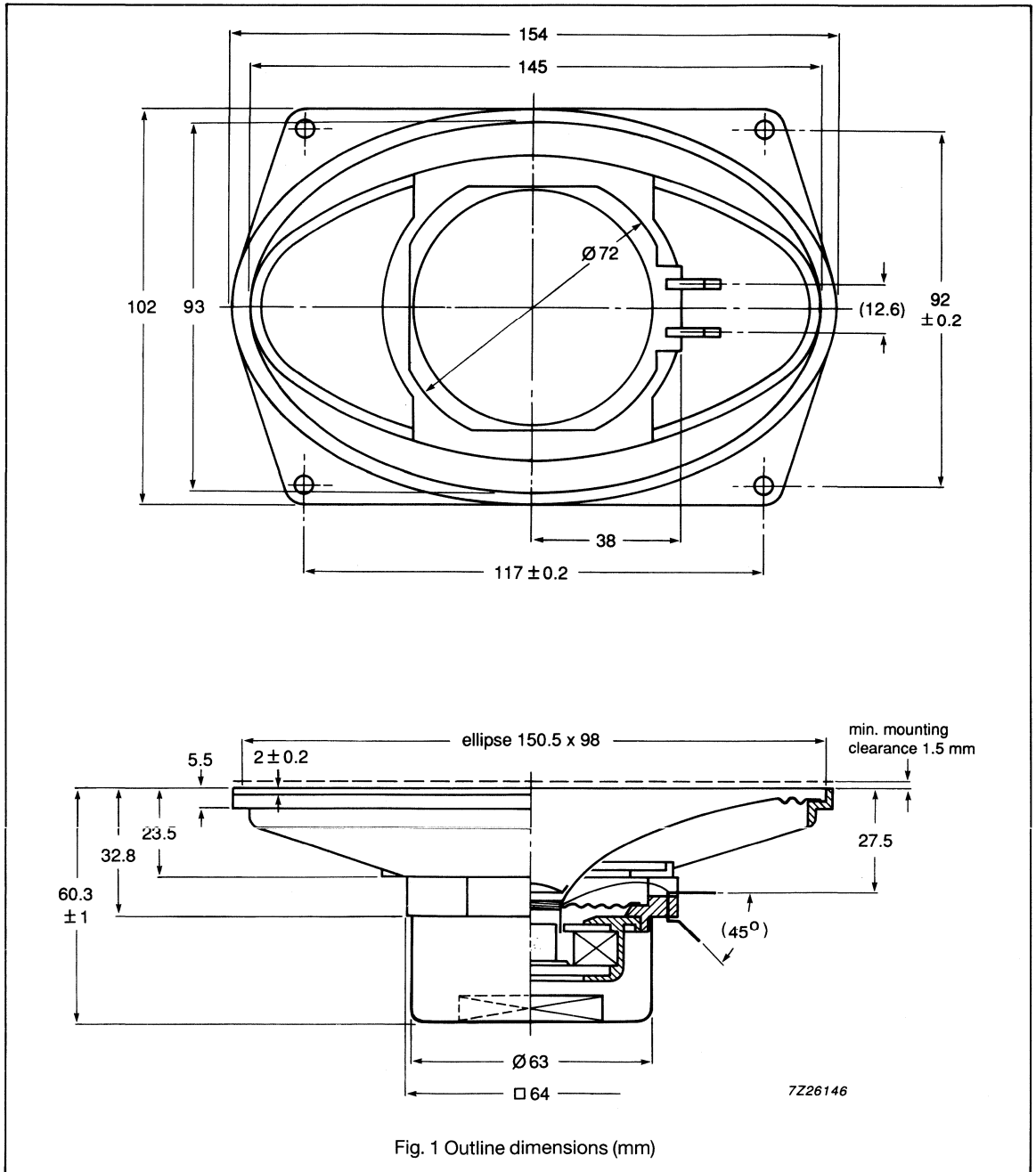
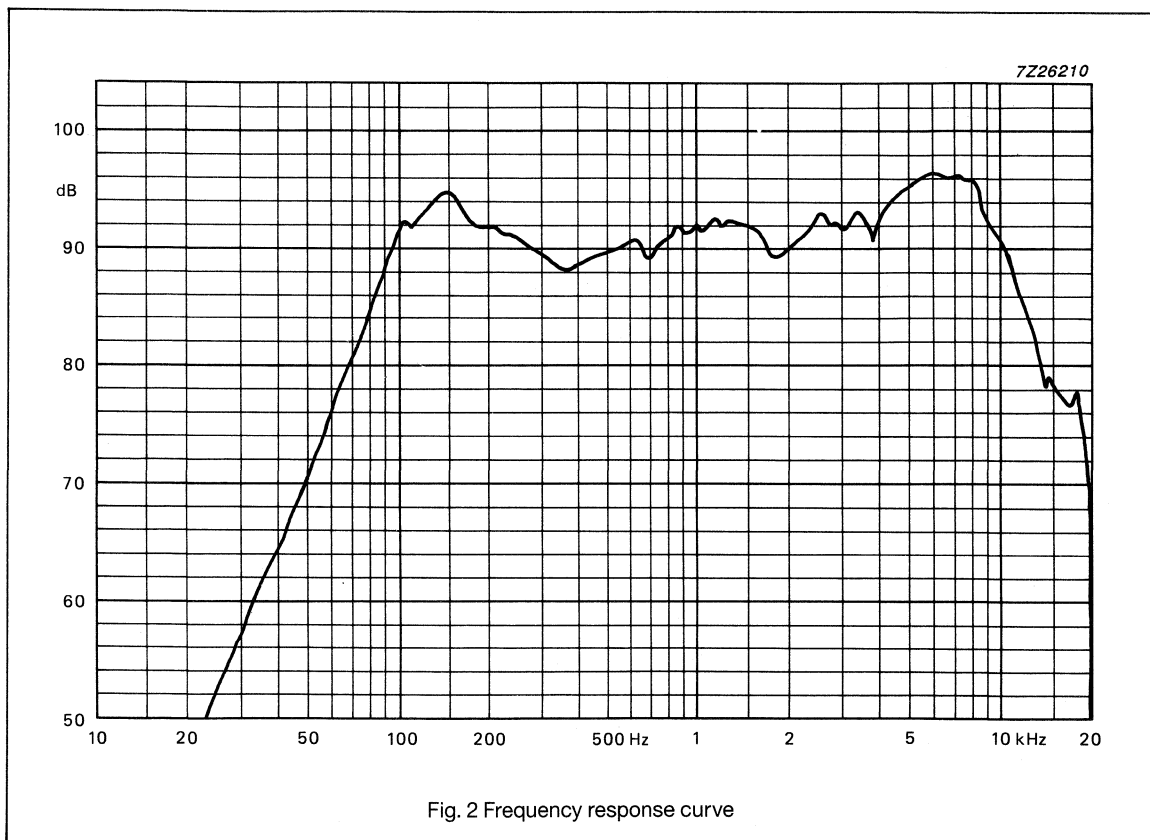


Fig. 1 Outline dimensions (mm)

**4 x 6" Full Range Oval Loudspeaker****WD 46967 series****FREQUENCY RESPONSE CURVES**

Frequency response curves have been measured on an axis at a distance of 1 m with 1 W input power.



Catalogue number: 2403 253 81101  
2403 253 81102  
2403 253 81103  
2403 253 81104

## Philips Components

Data sheet	
status	Product specification
date of issue	May 1990

# AD 3071/Y series 3" Full Range Round Loudspeaker

### APPLICATION

Full range loudspeaker for portable receivers and intercoms.

### DESCRIPTION

• Frame	material: plastic finish: none
• Membrane	colour: black
• Suspension	material: paper
• Dust cap	material: plastic colour: black
• Gasket	: none

### TECHNICAL DATA

	version					unit
	Y4	Y8	Y15	Y25	Y50	
<b>Unmounted</b>						
Rated impedance	4	8	15	25	50	$\Omega$
Voice coil resistance	3.6	7.2	13.5	22.5	45	$\Omega$
Resonance frequency	250	250	250	250	250	Hz
Sweep voltage	2.0	2.8	3.9	5.0	7.1	V
Magnetic flux density	0.74	0.74	0.74	0.74	0.74	T
Loudspeaker mass	57	57	57	57	57	g
<b>Mounted</b>						
Characteristic sensitivity			86			dB/W/m
Maximum noise power			2.0			W



3" Full Range Round Loudspeaker

AD 3071/Y series

MECHANICAL DATA

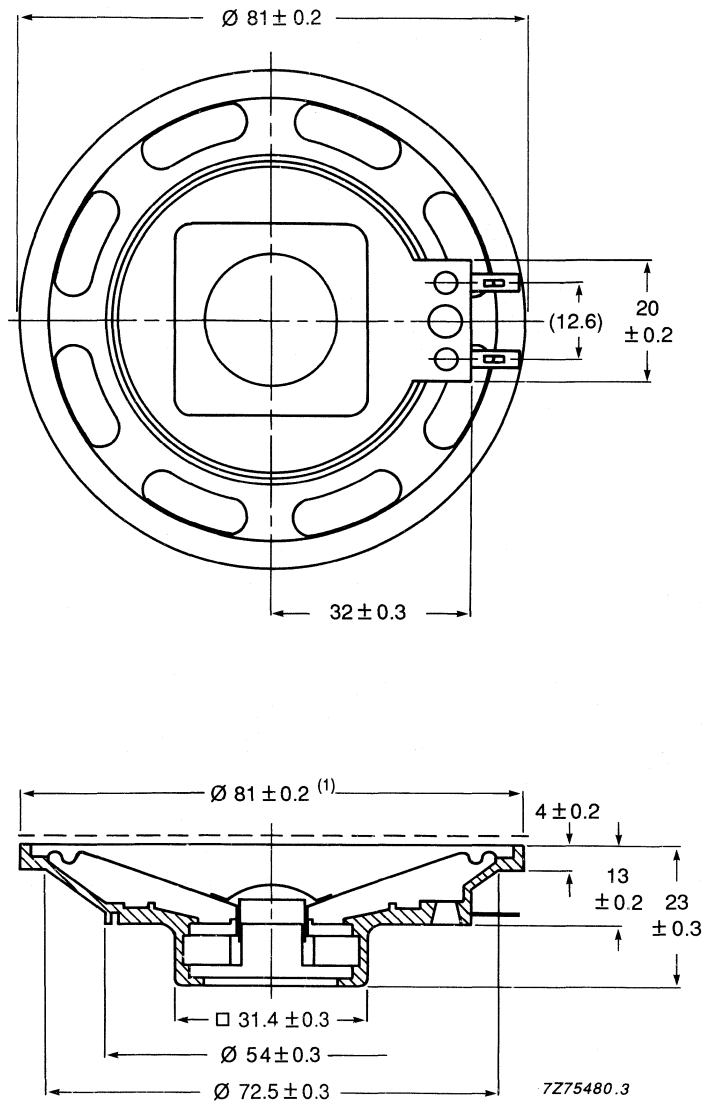


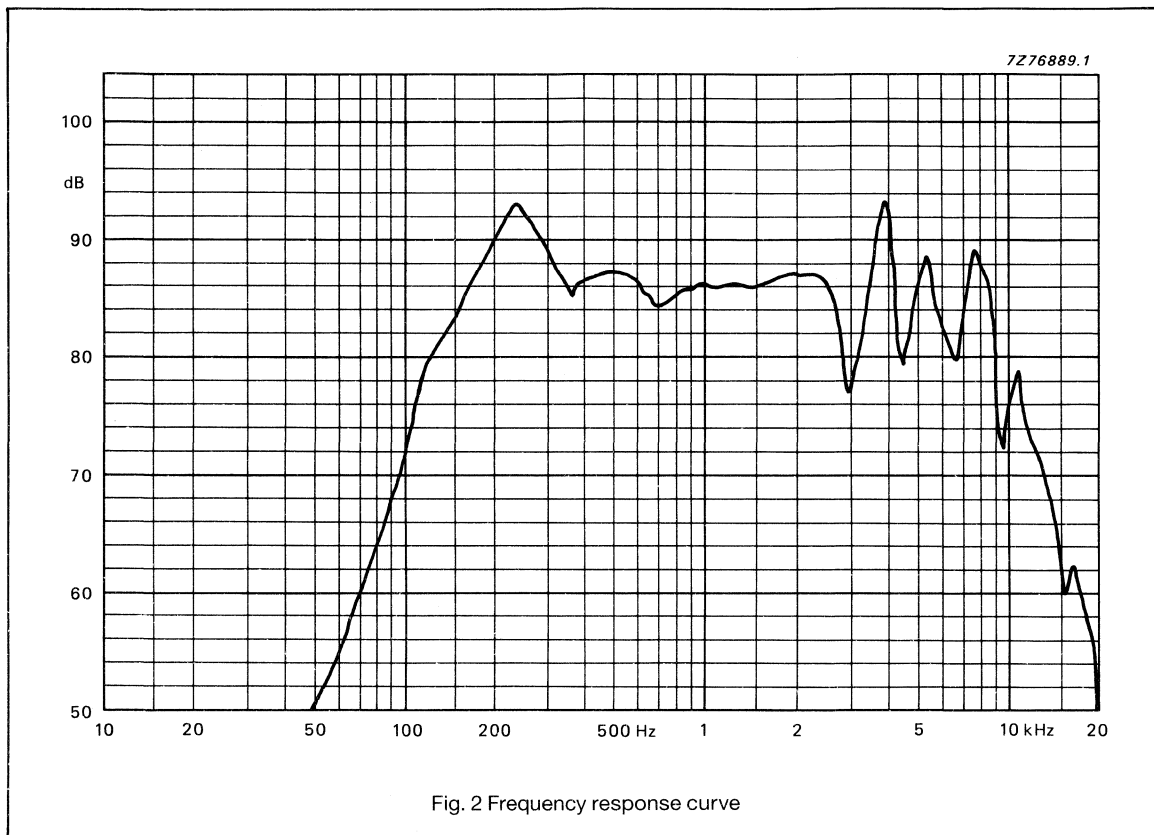
Fig. 1 Outline dimensions (mm)

# 3" Full Range Round Loudspeaker

# AD 3071/Y series

## FREQUENCY RESPONSE CURVES

Frequency response curves have been measured on an axis at a distance of 1 m with 1 W input power.



- Catalogue number: 2403 257 23601
- 2403 257 23602
- 2403 257 23603
- 2403 257 23604
- 2403 257 23605

**Philips Components**

Data sheet	
status	Product specification
date of issue	May 1990

# AD 3371/Y series

## 3" Full Range Round Loudspeaker

**APPLICATION**

Full range loudspeaker for portable receivers and intercoms.

**DESCRIPTION**

• Frame	material: plastic finish: none
• Membrane	colour: black
• Suspension	material: paper
• Dust cap	material: plastic colour: black
• Gasket	: none

**TECHNICAL DATA**

	version					unit
	Y4	Y8	Y15	Y25	Y50	
<b>Unmounted</b>						
Rated impedance	4	8	15	25	50	$\Omega$
Voice coil resistance	3.6	7.2	13.5	22.5	45	$\Omega$
Resonance frequency	250	250	250	250	250	Hz
Sweep voltage	2.0	2.8	3.9	5.0	7.1	V
Magnetic flux density	0.74	0.74	0.74	0.74	0.74	T
Loudspeaker mass	57	57	57	57	57	g
<b>Mounted</b>						
Characteristic sensitivity			86			dB/W/m
Maximum noise power		2.0				W

# 3" Full Range Round Loudspeaker

# AD 3371/Y series

## MECHANICAL DATA

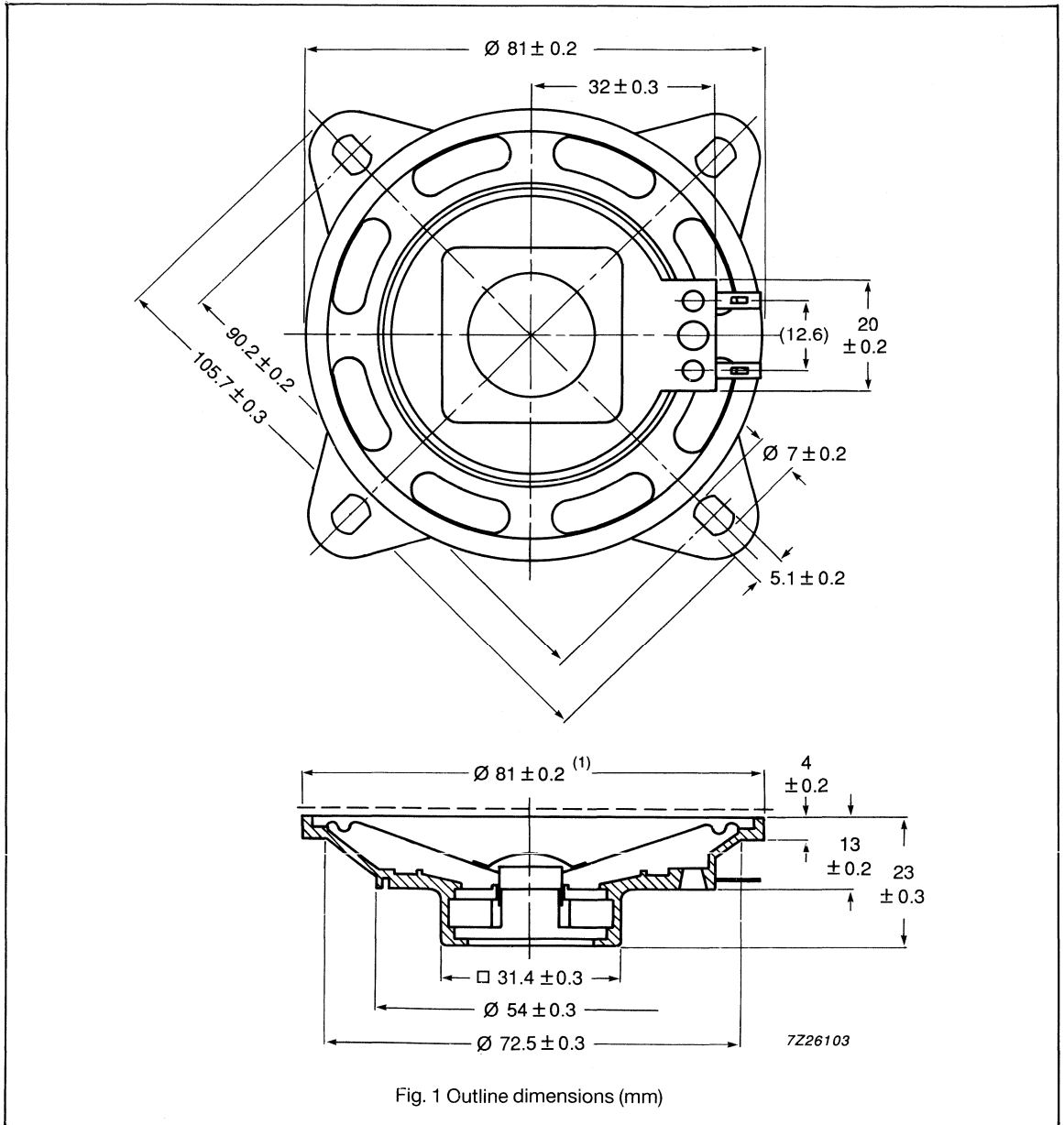
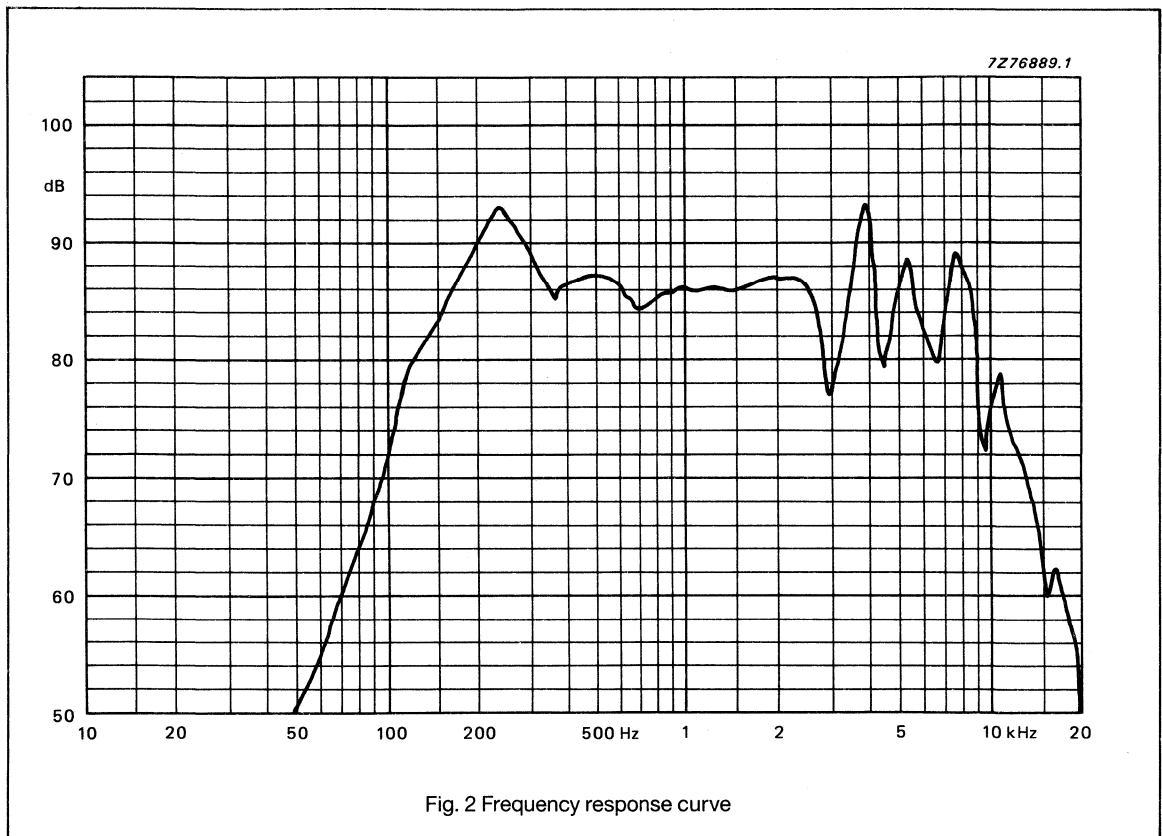


Fig. 1 Outline dimensions (mm)

**3" Full Range Round Loudspeaker****AD 3371/Y series****FREQUENCY RESPONSE CURVES**

Frequency response curves have been measured on an axis at a distance of 1 m with 1 W input power.



Catalogue number: 2403 257 23501  
2403 257 23502  
2403 257 23503  
2403 257 23504  
2403 257 23505

## Philips Components

Data sheet	
status	Product specification
date of issue	May 1990

# AD 3074/Y series 3" Full Range Round Loudspeaker

### APPLICATION

Full range loudspeaker for video applications.

### DESCRIPTION

- |              |                                    |
|--------------|------------------------------------|
| • Frame      | material: plastic<br>finish: none  |
| • Membrane   | colour: black                      |
| • Suspension | material: paper                    |
| • Dust cap   | material: plastic<br>colour: black |
| • Gasket     | : none                             |

### TECHNICAL DATA

	version				unit
	Y4	Y8	Y15	Y25	
<b>Unmounted</b>					
Rated impedance	4	8	15	25	$\Omega$
Voice coil resistance	3.6	7.2	13.5	22.5	$\Omega$
Resonance frequency	250	250	250	250	Hz
Sweep voltage	2.0	2.8	3.9	5.0	V
Magnetic flux density	0.74	0.74	0.74	0.74	T
Loudspeaker mass	61	61	61	61	g
<b>Mounted</b>					
Characteristic sensitivity		86			dB/W/m
Maximum noise power		2.0			W

**3" Full Range Round Loudspeaker**

**AD 3074/Y series**

**MECHANICAL DATA**

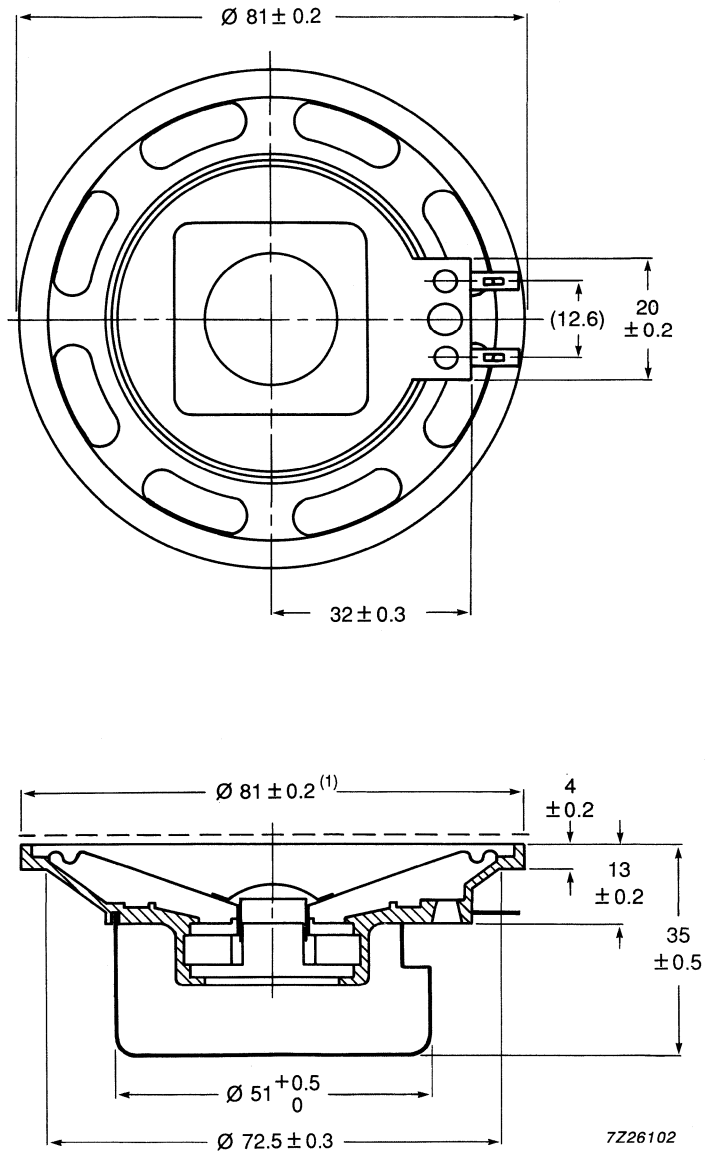


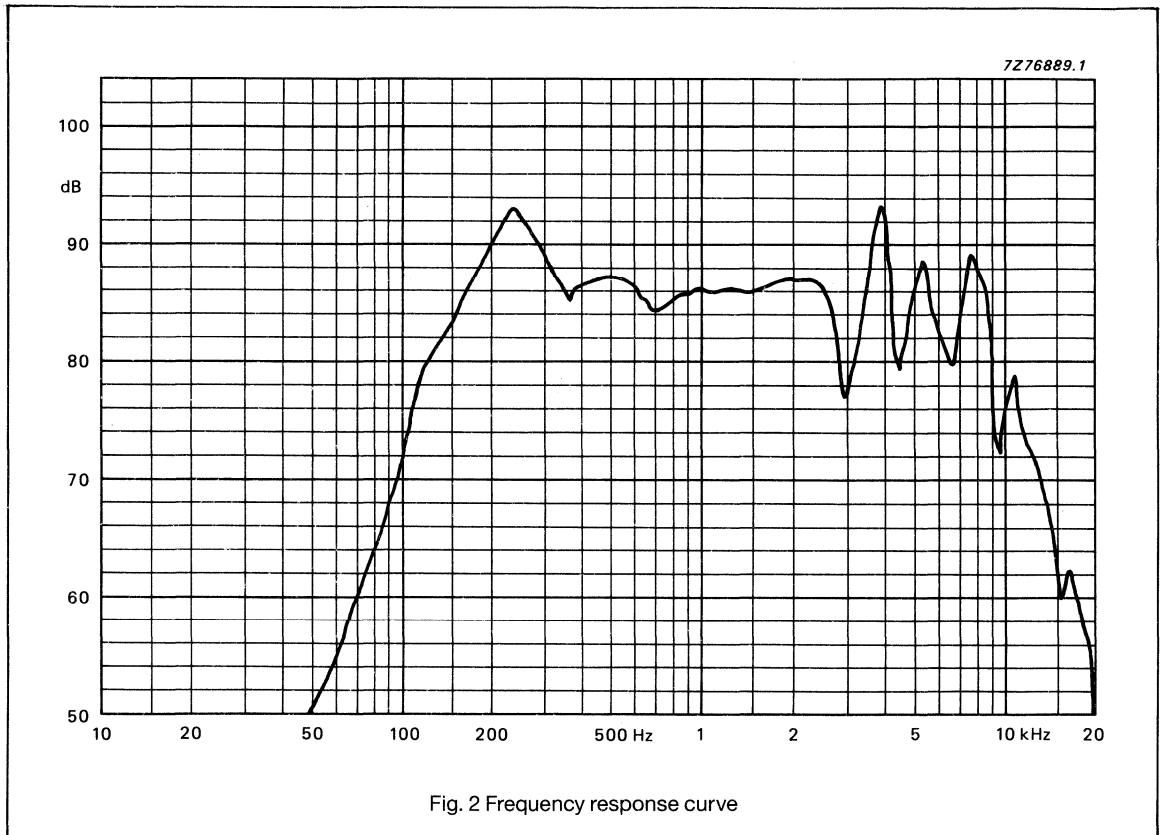
Fig. 1 Outline dimensions (mm)

## 3" Full Range Round Loudspeaker

**AD 3074/Y series**

### FREQUENCY RESPONSE CURVES

Frequency response curves have been measured on an axis at a distance of 1 m with 1 W input power.



Catalogue number: 2403 257 23201  
2403 257 23202  
2403 257 23203  
2403 257 23204



**Philips Components**

Data sheet	
status	Product specification
date of issue	May 1990

# AD 3374/Y series

## 3" Full Range Round Loudspeaker

**APPLICATION**

Full range loudspeaker for video applications.

**DESCRIPTION**

• Frame	material: plastic finish: none
• Membrane	colour: black
• Suspension	material: paper
• Dust cap	material: plastic colour: black
• Gasket	: none

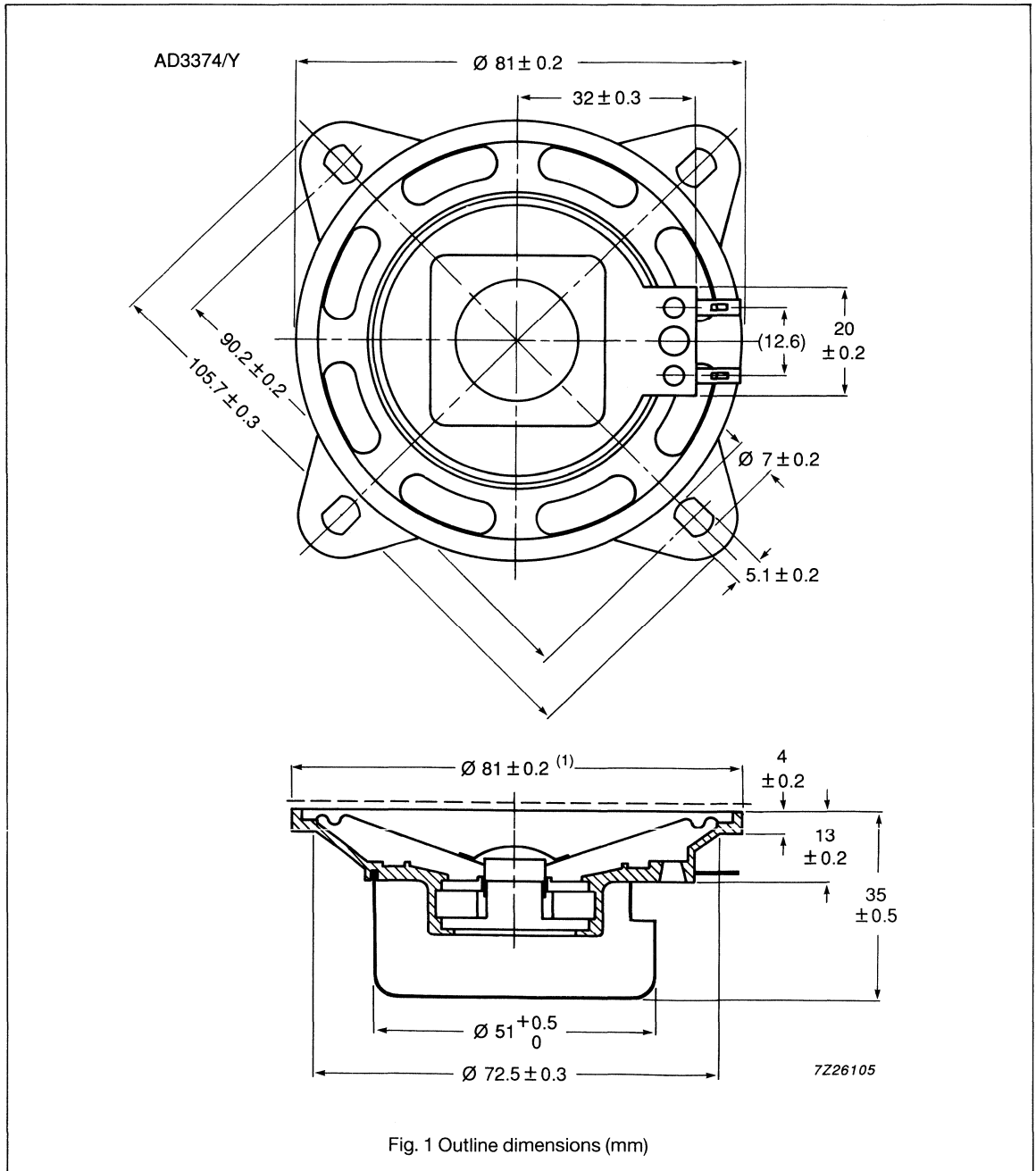
**TECHNICAL DATA**

	version				unit
	Y4	Y8	Y15	Y25	
<b>Unmounted</b>					
Rated impedance	4	8	15	25	$\Omega$
Voice coil resistance	3.6	7.2	13.5	22.5	$\Omega$
Resonance frequency	250	250	250	250	Hz
Sweep voltage	2.0	2.8	3.9	5.0	V
Magnetic flux density	0.74	0.74	0.74	0.74	T
Loudspeaker mass	61	61	61	61	g
<b>Mounted</b>					
Characteristic sensitivity		86			dB/W/m
Maximum noise power		2.0			W

### 3" Full Range Round Loudspeaker

### AD 3374/Y series

#### MECHANICAL DATA

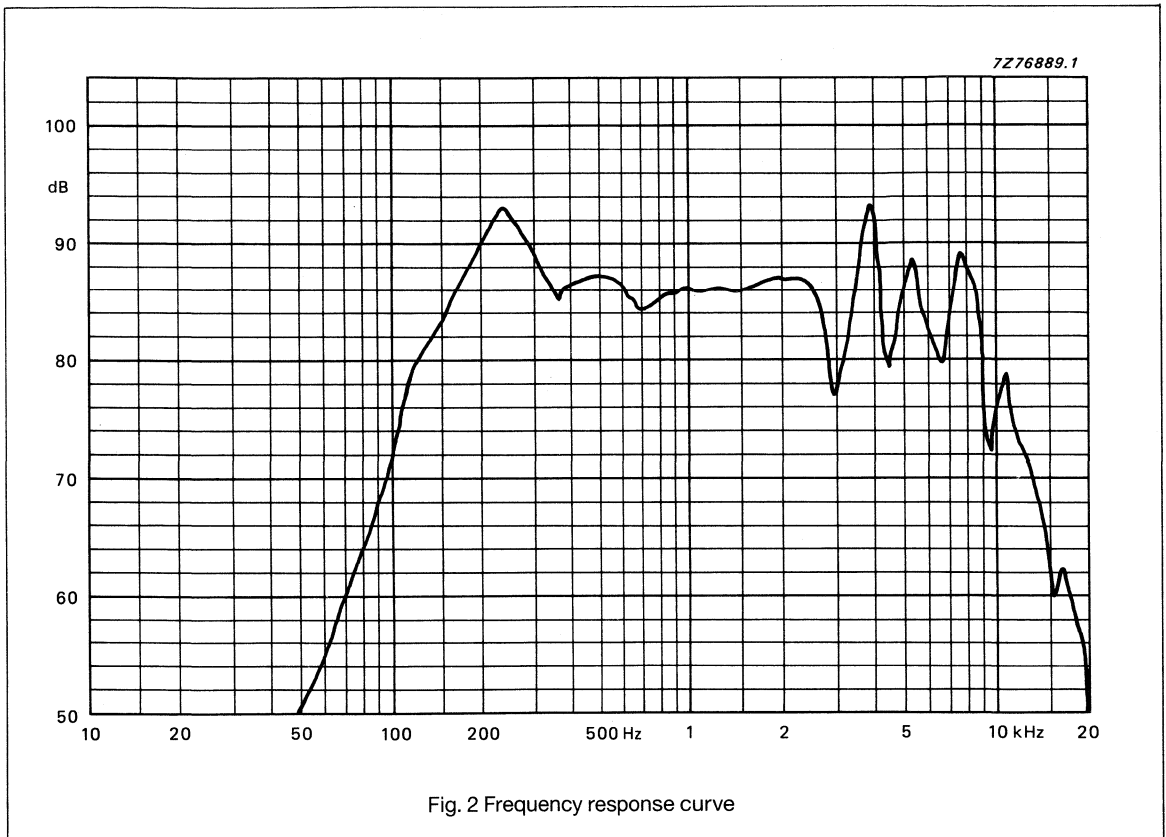


## 3" Full Range Round Loudspeaker

**AD 3374/Y series**

### FREQUENCY RESPONSE CURVES

Frequency response curves have been measured on an axis at a distance of 1 m with 1 W input power.



Catalogue number: 2403 257 23301  
2403 257 23302  
2403 257 23303  
2403 257 23304

# AD 30743/Y series

## 3" Full Range Round Loudspeaker

Data sheet	
status	Product specification
date of issue	May 1990

**APPLICATION**

Full range loudspeaker for video applications.

**DESCRIPTION**

- Frame material: plastic  
finish: none

---

- Membrane colour: black

---

- Suspension material: paper

---

- Dust cap material: plastic  
colour: black

---

- Gasket : none

**TECHNICAL DATA**

	version				unit
	Y4	Y8	Y15	Y25	
<b>Unmounted</b>					
Rated impedance	4	8	15	25	Ω
Voice coil resistance	3.6	7.2	13.5	22.5	Ω
Resonance frequency	250	250	250	250	Hz
Sweep voltage	2.0	2.8	3.9	5.0	V
Magnetic flux density	0.74	0.74	0.74	0.74	T
Loudspeaker mass	73	73	73	73	g
<b>Mounted</b>					
Characteristic sensitivity	86				dB/W/m
Maximum noise power	2.0				W

3" Full Range Round Loudspeaker

AD 30743/Y series

MECHANICAL DATA

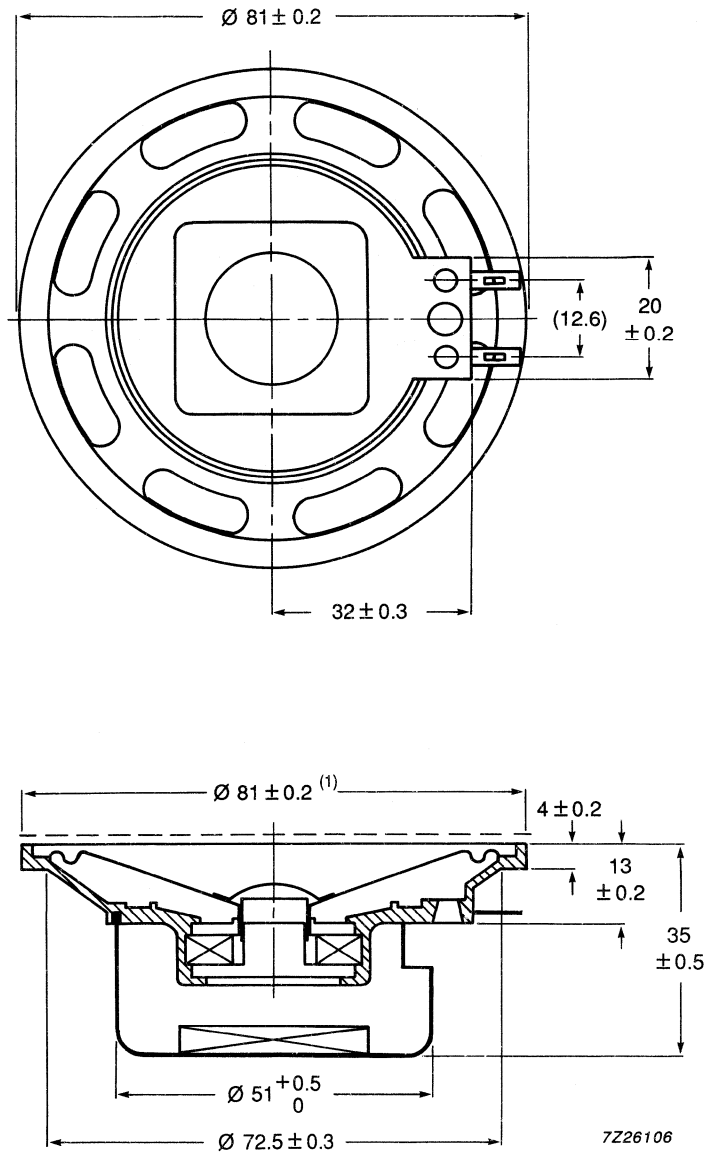


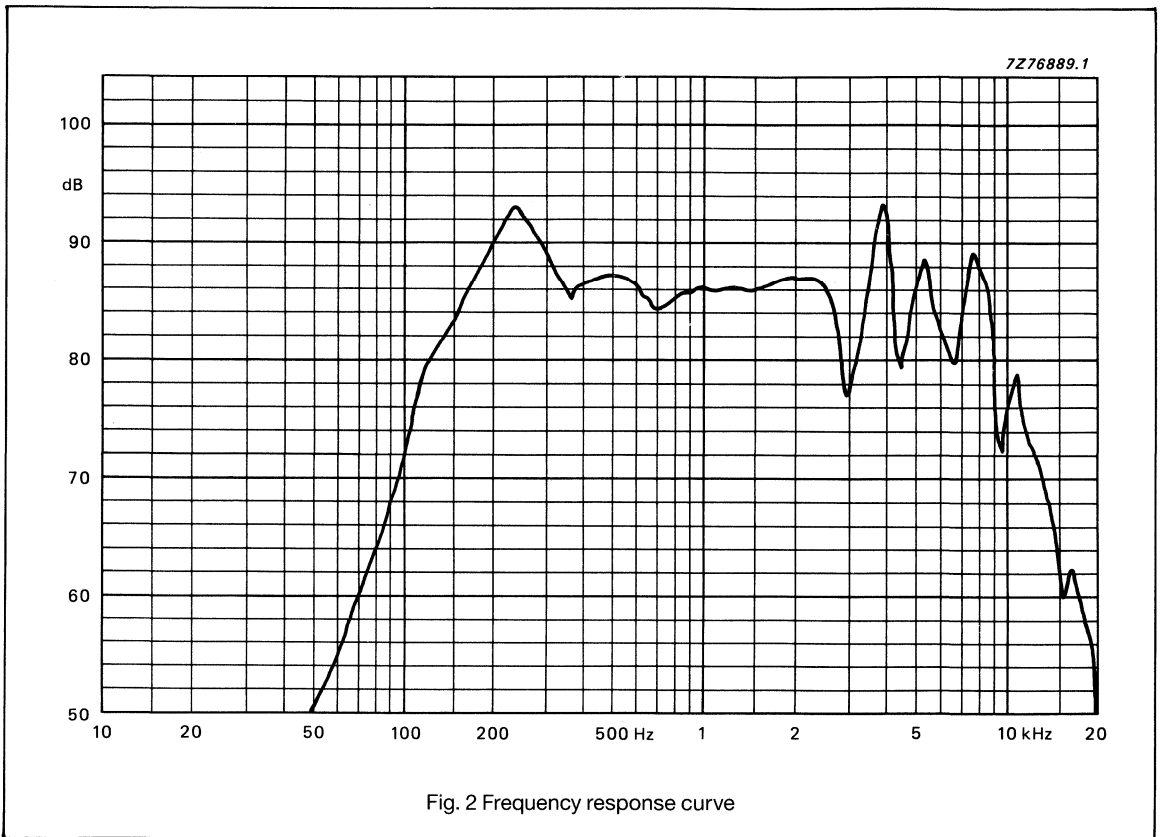
Fig. 1 Outline dimensions (mm)

**3" Full Range Round Loudspeaker**

**AD 30743/Y series**

**FREQUENCY RESPONSE CURVES**

Frequency response curves have been measured on an axis at a distance of 1 m with 1 W input power.



- Catalogue number: 2403 257 23701
- 2403 257 23702
- 2403 257 23703
- 2403 257 23704

Data sheet	
status	Product specification
date of issue	May 1990

# AD 33743/Y series

## 3" Full Range Round Loudspeaker

### APPLICATION

Full range loudspeaker for video applications.

### DESCRIPTION

• Frame	material: plastic finish: none
• Membrane	colour: black
• Suspension	material: paper
• Dust cap	material: plastic colour: black
• Gasket	: none

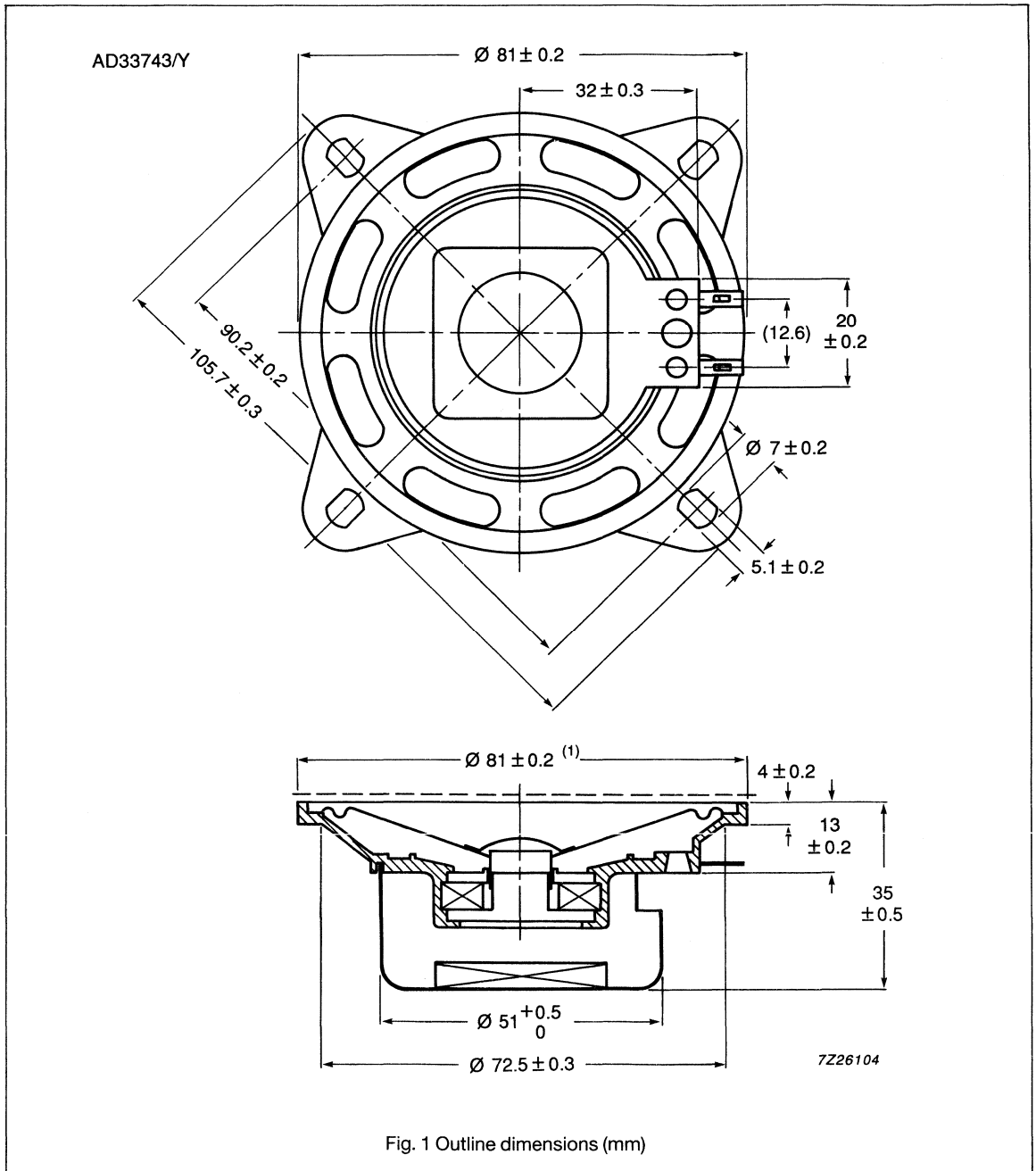
### TECHNICAL DATA

	version				unit
	Y4	Y8	Y15	Y25	
<b>Unmounted</b>					
Rated impedance	4	8	15	25	Ω
Voice coil resistance	3.6	7.2	13.5	22.5	Ω
Resonance frequency	250	250	250	250	Hz
Sweep voltage	2.0	2.8	3.9	5.0	V
Magnetic flux density	0.74	0.74	0.74	0.74	T
Loudspeaker mass	73	73	73	73	g
<b>Mounted</b>					
Characteristic sensitivity		86			dB/W/m
Maximum noise power		2.0			W

3" Full Range Round Loudspeaker

AD 33743/Y series

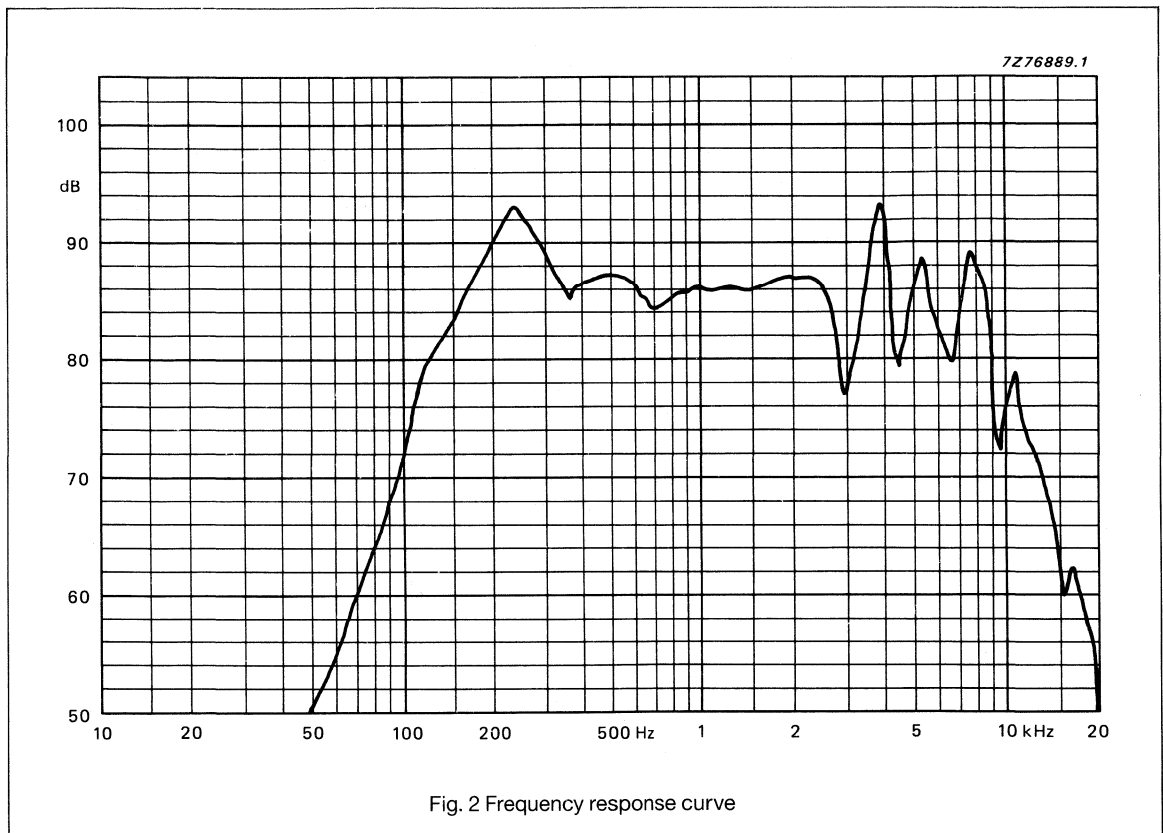
MECHANICAL DATA





**3" Full Range Round Loudspeaker****AD 33743/Y series****FREQUENCY RESPONSE CURVES**

Frequency response curves have been measured on an axis at a distance of 1 m with 1 W input power.



Catalogue number: 2403 257 23901  
2403 257 23902  
2403 257 23903  
2403 257 23904

**Philips Components**

<b>Data sheet</b>	
<b>status</b>	Product specification
<b>date of issue</b>	May 1990

# AD 33910/X8SA

## 3" Full Range Round Loudspeaker

**APPLICATION**

Full range video loudspeaker.

**DESCRIPTION**

•	Frame	material: steel finish: zinc black
•	Membrane	colour: black
•	Suspension	material: foam
•	Dust cap	material: paper colour: black
•	Gasket	material: foam position: rear

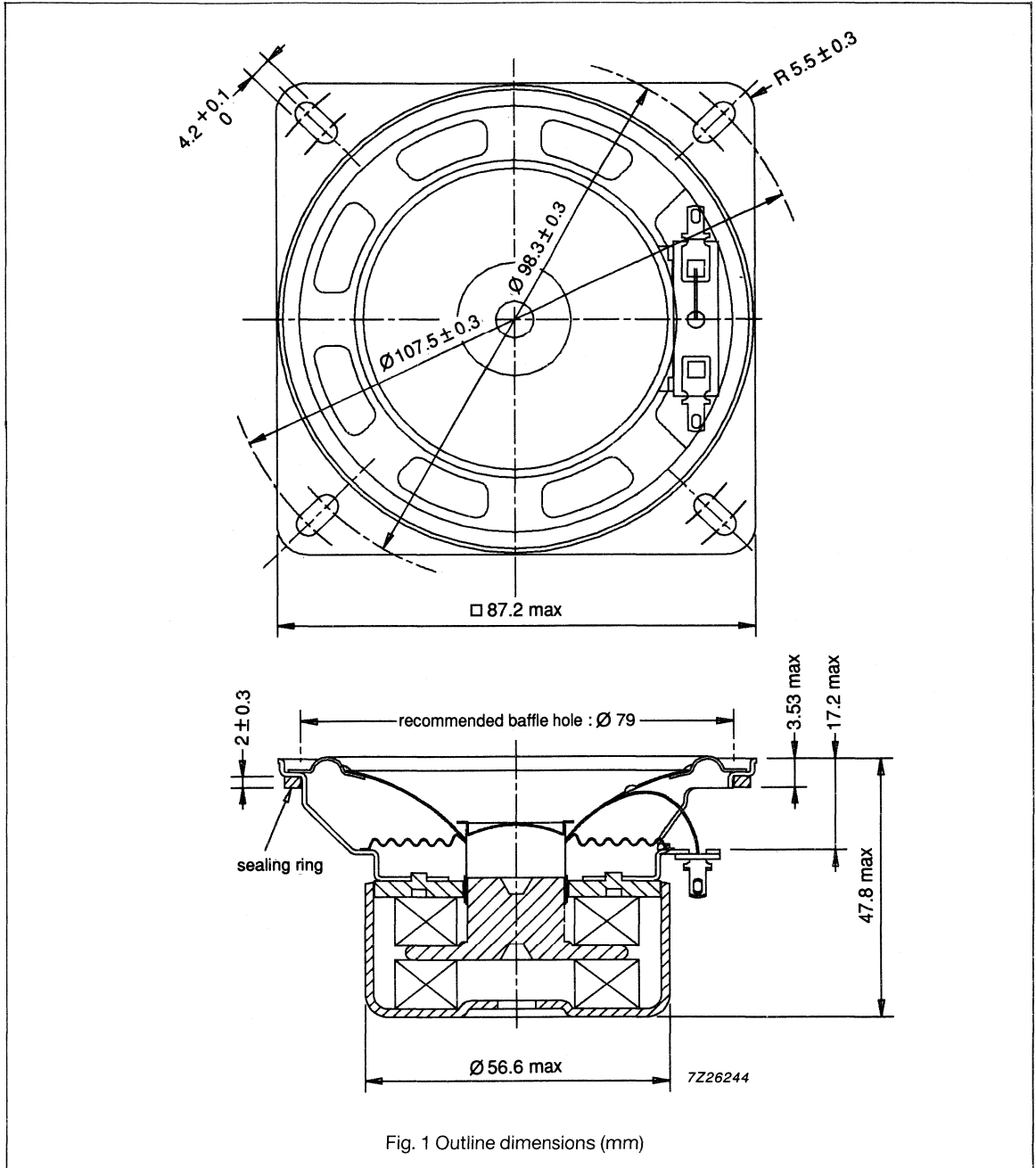
**TECHNICAL DATA**

<b>Unmounted</b>		
Rated impedance	8	$\Omega$
Voice coil resistance	6.8	$\Omega$
Resonance frequency	115	Hz
Sweep voltage	5.6	V
Magnetic flux density	1.0	T
Loudspeaker mass	315	g
<b>Mounted</b>		
Characteristic sensitivity	84	dB/W/m
Maximum noise power (PHC)	8.0	W

3" Full Range Loudspeaker

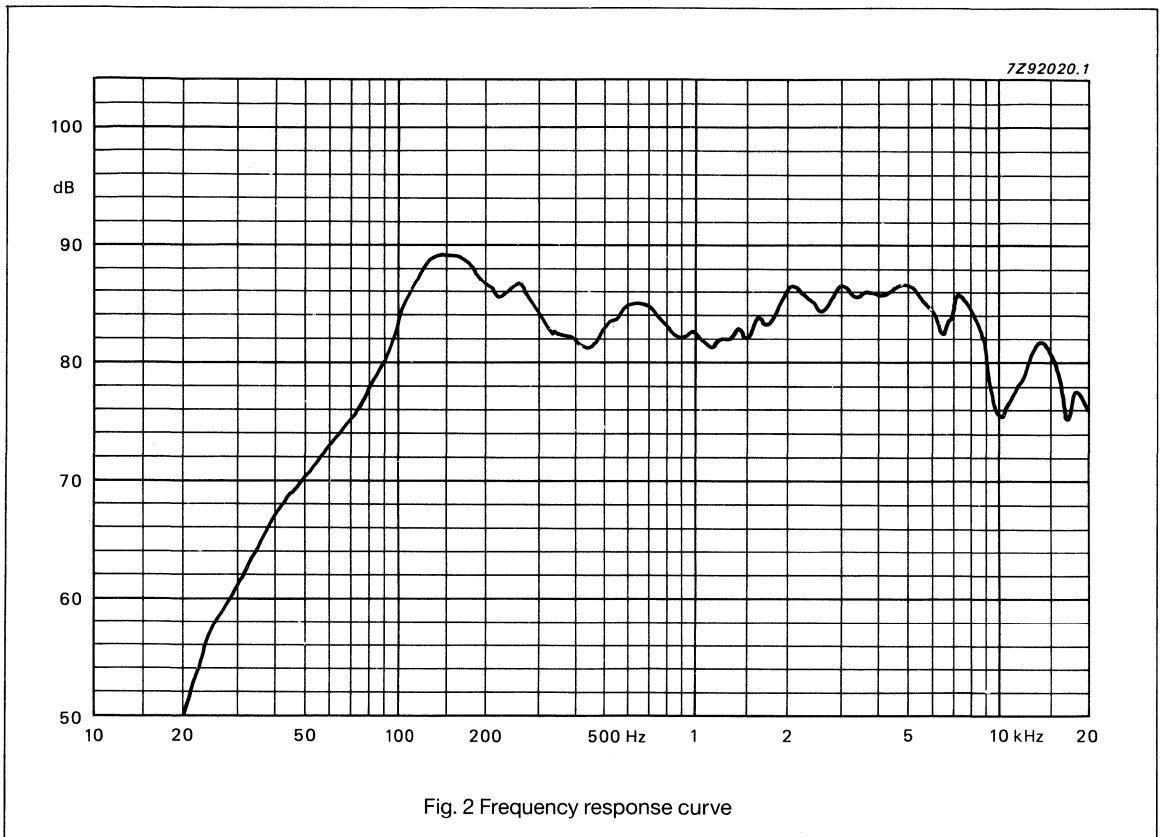
AD 33910/X8SA

MECHANICAL DATA



**3" Full Range Rouns Loudspeaker****AD 33910/X8SA****FREQUENCY RESPONSE CURVES**

Frequency response curves have been measured on an axis at a distance of 1 m with 1 W input power.



Catalogue number: 2422 257 34512

Data sheet	
status	Product specification
date of issue	May 1990

# 00 3080/X4S

## 3" Full Range Round Loudspeaker

### APPLICATION

Full range audio loudspeaker.

### DESCRIPTION

• Frame	material: steel finish: zinc black
• Membrane	colour: black
• Suspension	material: foam
• Dust cap	material: mylar colour: silver
• Gasket	none

### TECHNICAL DATA

<b>Unmounted</b>		
Rated impedance	4	$\Omega$
Voice coil resistance	3.4	$\Omega$
Resonance frequency	120	Hz
Sweep voltage	3.5	V
Magnetic flux density	1.0	T
Loudspeaker mass	220	g
<b>Mounted</b>		
Characteristic sensitivity	87	dB/W/m
Maximum noise power (PHC)	10	W

**3" Full Range Round Loudspeaker**

**00 3080/X4S**

**MECHANICAL DATA**

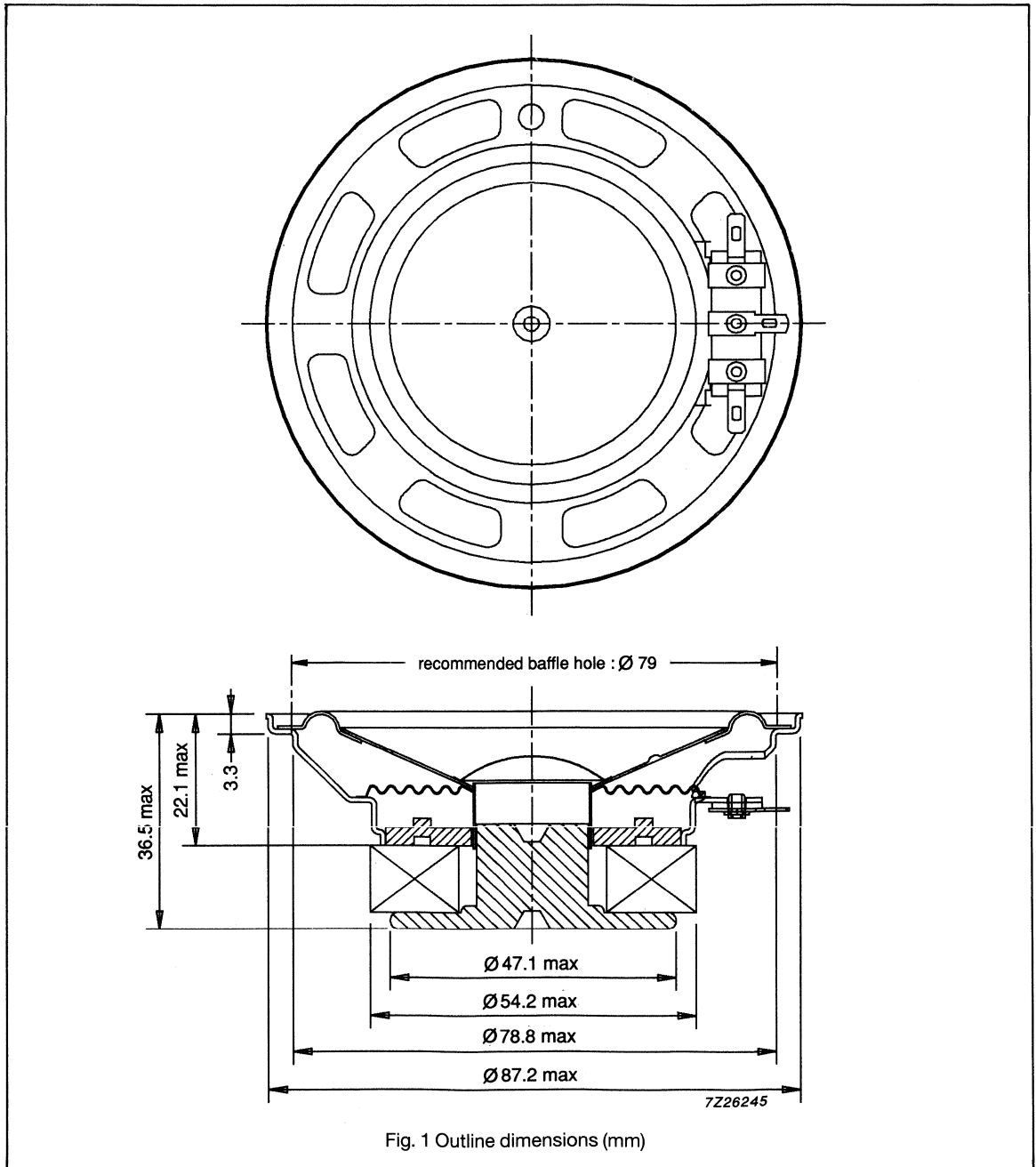


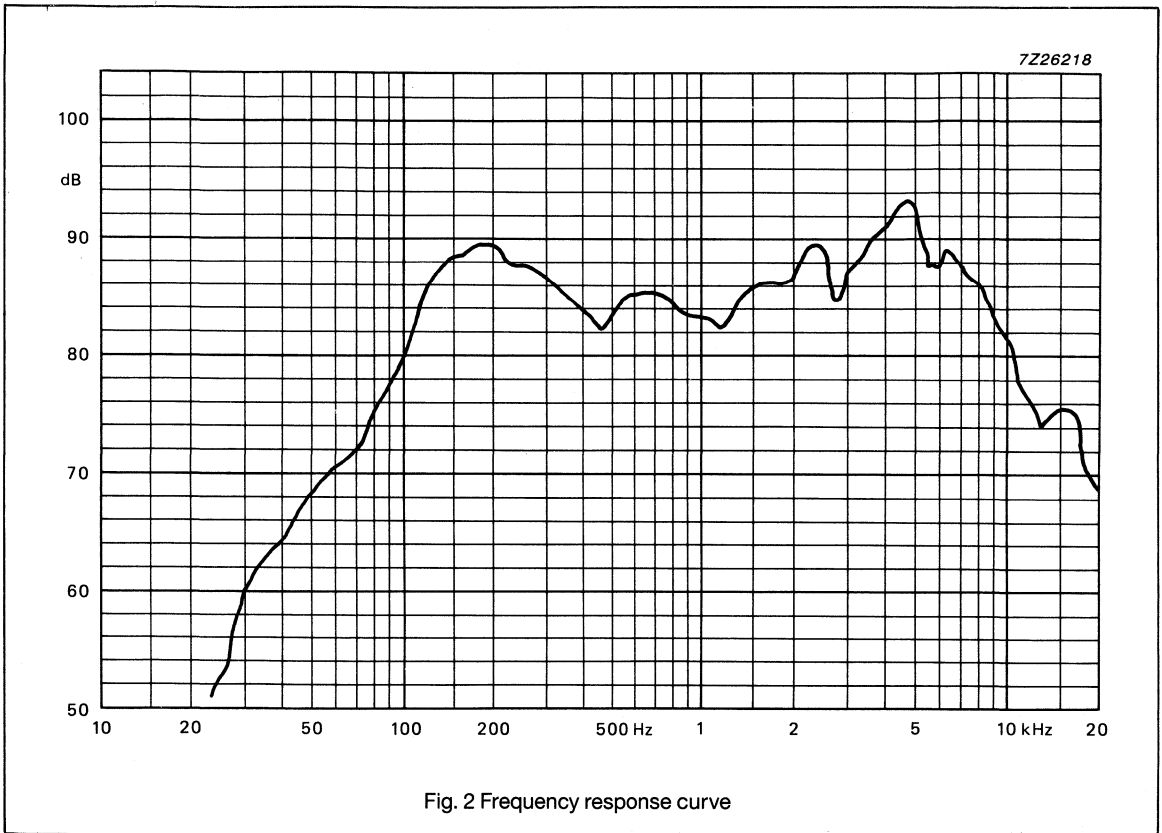
Fig. 1 Outline dimensions (mm)

# 3" Full Range Round Loudspeaker

00 3080/X4S

## FREQUENCY RESPONSE CURVES

Frequency response curves have been measured on an axis at a distance of 1 m with 1 W input power.



Catalogue number: 2404 257 34518

**Philips Components**

Data sheet	
status	Product specification
date of issue	November 1989

# AD 4072 series

## 4" Full Range Round Loudspeaker

**APPLICATION**

Full range loudspeaker for portable receivers and intercoms.

**DESCRIPTION**

• Frame	material: plastic finish: none
• Membrane	colour: black
• Suspension	material: paper
• Dust cap	material: plastic colour: black
• Gasket	none

**TECHNICAL DATA**

	version				unit
	X4	X8	X15	X25	
<b>Unmounted</b>					
Rated impedance	4	8	15	25	$\Omega$
Voice coil resistance	3.6	7.2	13.5	22.5	$\Omega$
Resonance frequency	170	170	170	170	Hz
Sweep voltage	2.44	3.5	4.7	6.1	V
Magnetic flux density	0.74	0.74	0.74	0.74	T
Loudspeaker mass	70	70	70	70	g
<b>Mounted</b>					
Characteristic sensitivity	87				dB/W/m
Maximum noise power	3.0				W



## 4" Full Range Round Loudspeaker

AD 4072 series

## MECHANICAL DATA

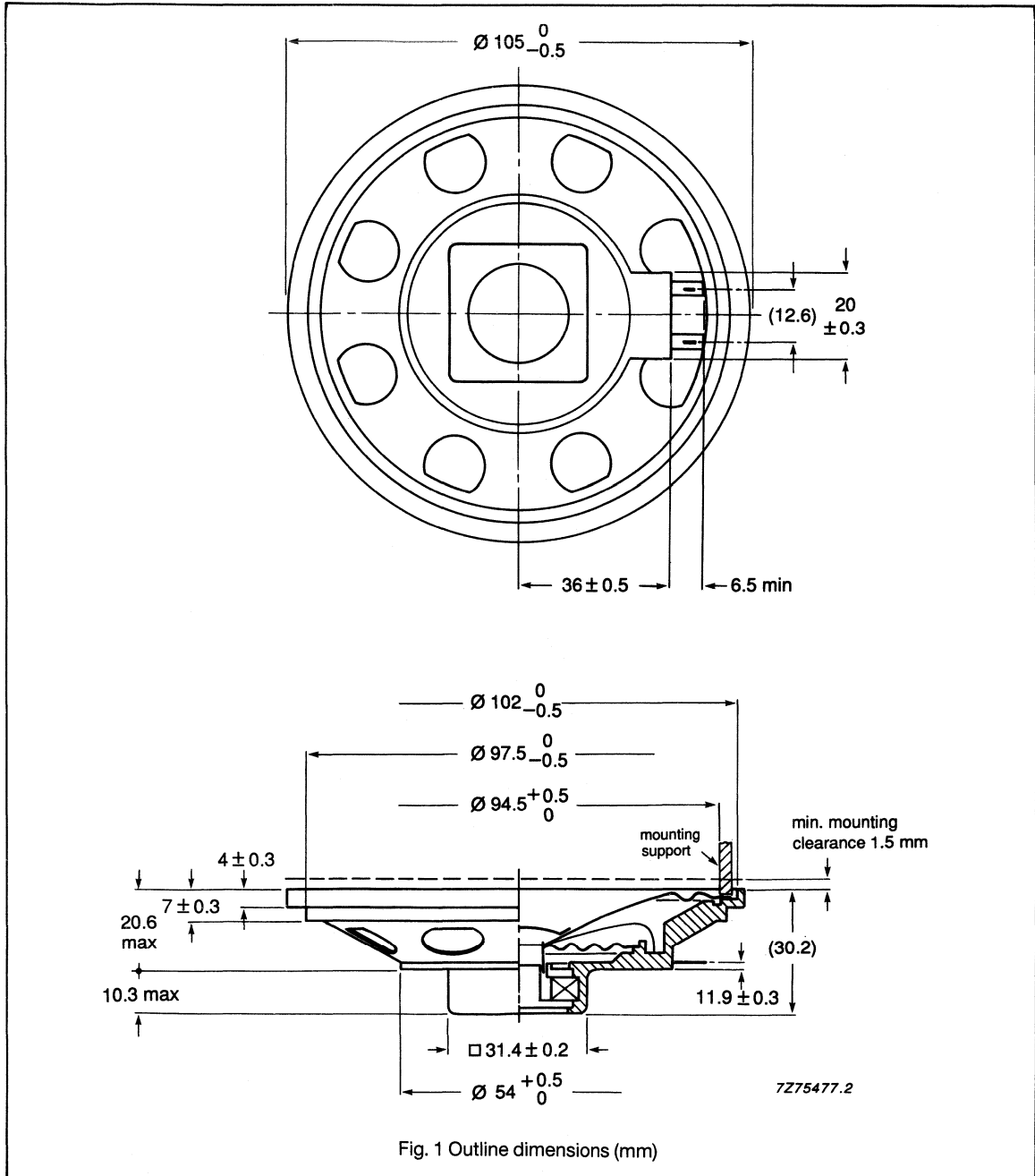
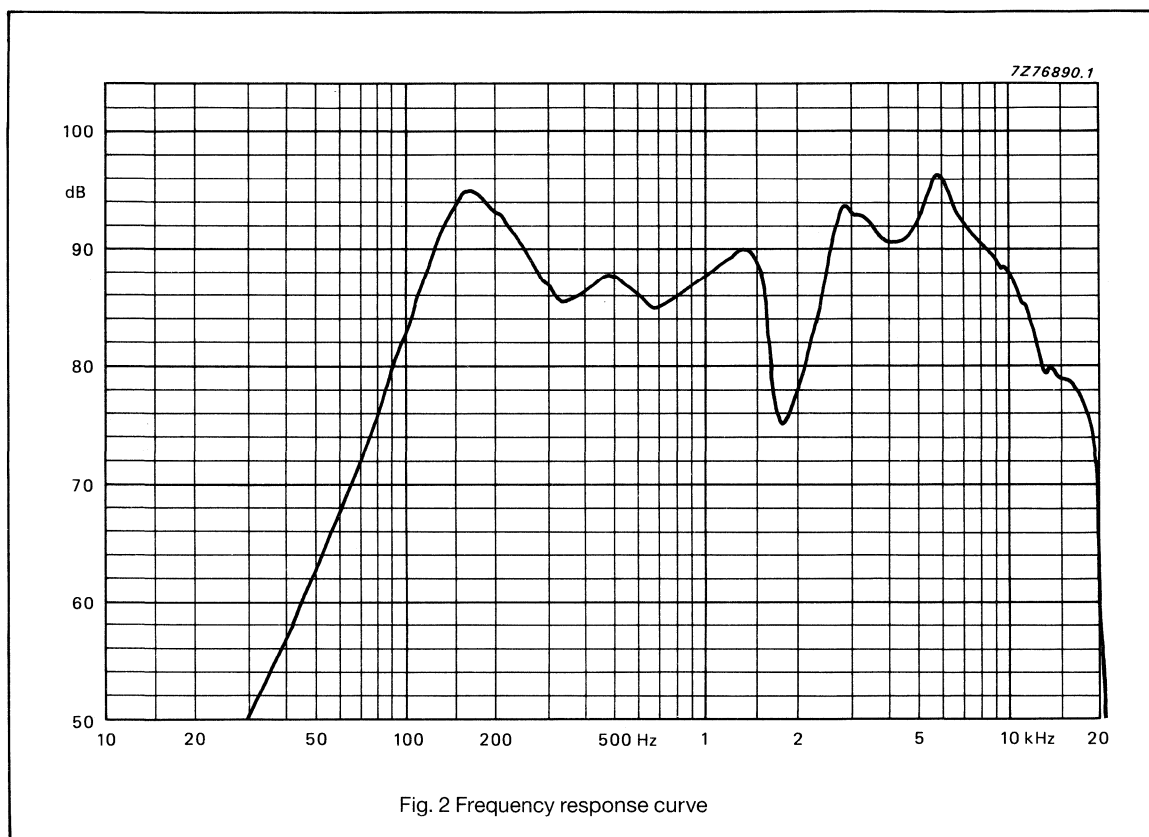


Fig. 1 Outline dimensions (mm)

**4" Full Range Round Loudspeaker****AD 4072 series****FREQUENCY RESPONSE CURVES**

Frequency response curves have been measured on an axis at a distance of 1 m with 1 W input power.



Catalogue number: 2403 257 24205  
2403 257 24206  
2403 257 24207  
2403 257 24208

## Philips Components

Data sheet	
status	Product specification
date of issue	May 1990

# AD 4472 series

## 4" Full Range Round Loudspeaker

### APPLICATION

Full range loudspeaker for portable receivers and intercoms.

### DESCRIPTION

• Frame	material: plastic finish: none
• Membrane	colour: black
• Suspension	material: paper
• Dust cap	material: plastic colour: black
• Gasket	none

### TECHNICAL DATA

	version				unit
	X4	X8	X15	X25	
<b>Unmounted</b>					
Rated impedance	4	8	15	25	$\Omega$
Voice coil resistance	3.6	7.2	13.5	22.5	$\Omega$
Resonance frequency	170	170	170	170	Hz
Sweep voltage	2.44	3.5	4.7	6.1	V
Magnetic flux density	0.74	0.74	0.74	0.74	T
Loudspeaker mass	70	70	70	70	g
<b>Mounted</b>					
Characteristic sensitivity		87			dB/W/m
Maximum noise power		3.0			W

# 4" Full Range Round Loudspeaker

# AD 4472 series

## MECHANICAL DATA

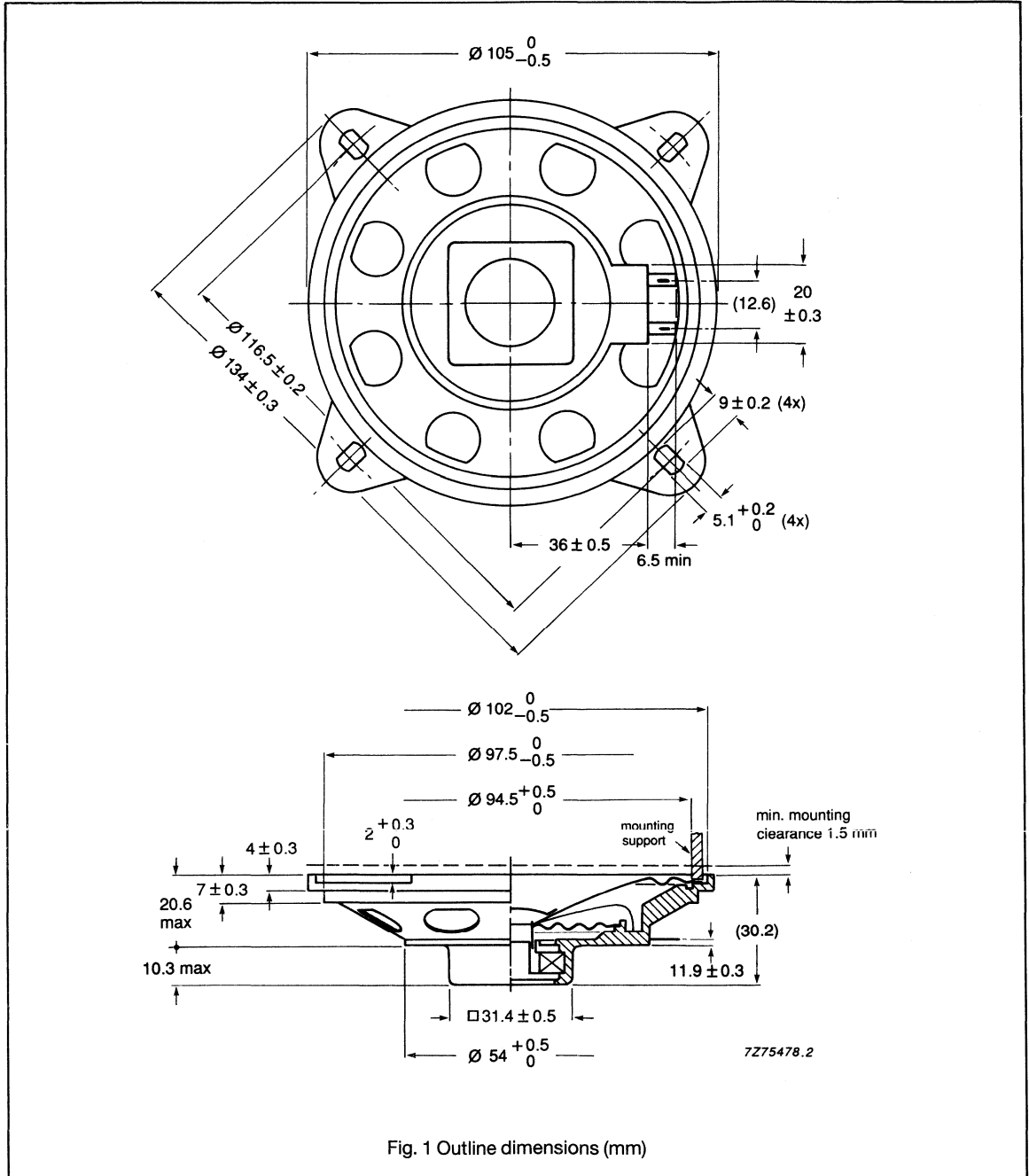
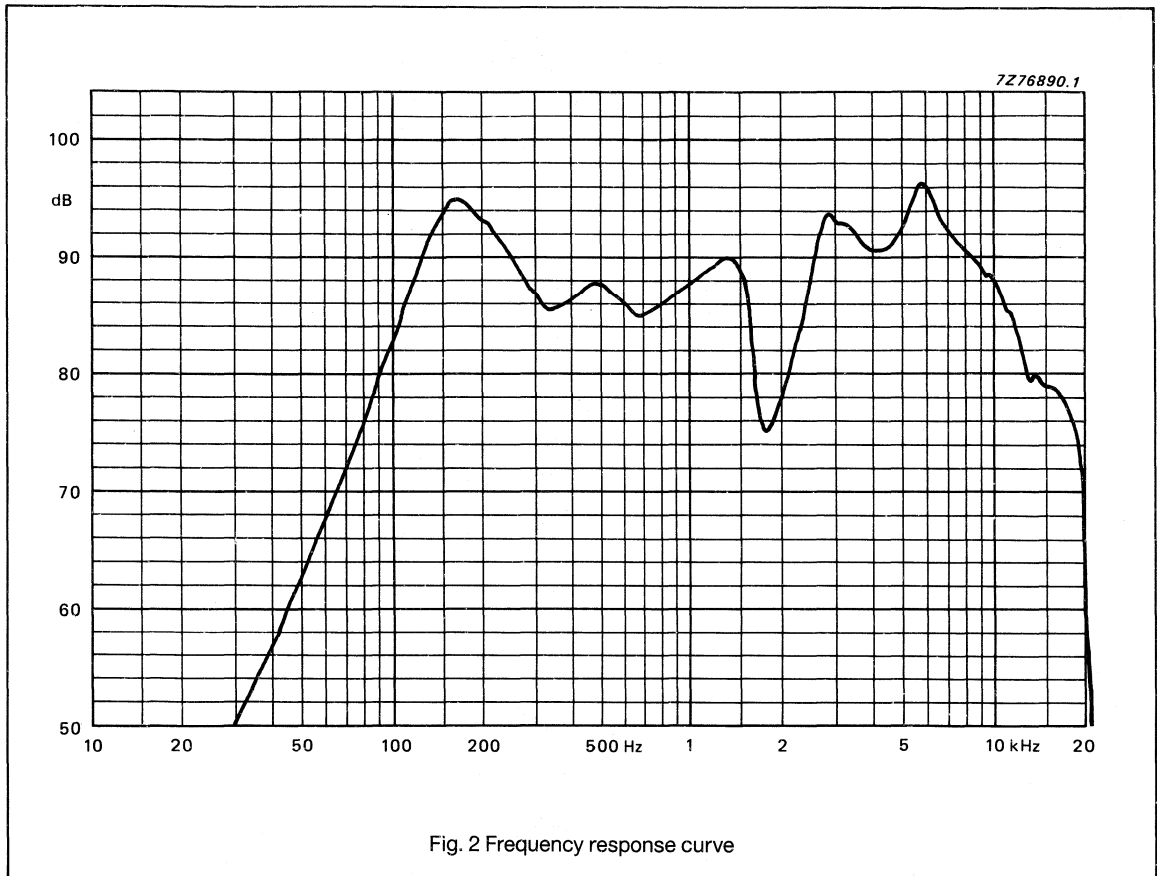


Fig. 1 Outline dimensions (mm)

**4" Full Range Round Loudspeaker****AD 4472 series****FREQUENCY RESPONSE CURVES**

Frequency response curves have been measured on an axis at a distance of 1 m with 1 W input power.



Catalogue number: 2403 257 24805  
2403 257 24806  
2403 257 24807  
2403 257 24808

## Philips Components

Data sheet	
status	Product specification
date of issue	November 1989

# AD 40725 series

## 4" Full Range Round Loudspeaker

### APPLICATION

Full range loudspeaker for portable receivers and intercoms.

### DESCRIPTION

• Frame	material: plastic finish: none
• Membrane	colour: black
• Suspension	material: paper
• Dust cap	material: plastic colour: black
• Gasket	none

### TECHNICAL DATA

	version				unit
	X4	X8	X15	X25	
<b>Unmounted</b>					
Rated impedance	4	8	15	25	$\Omega$
Voice coil resistance	3.6	7.2	13.5	22.5	$\Omega$
Resonance frequency	170	170	170	170	Hz
Sweep voltage	3.16	4.47	6.12	7.9	V
Magnetic flux density	0.74	0.74	0.74	0.74	T
Loudspeaker mass	70	70	70	70	g
<b>Mounted</b>					
Characteristic sensitivity		87			dB/W/m
Maximum noise power		5.0			W

4" Full Range Round Loudspeaker

AD 40725 series

MECHANICAL DATA

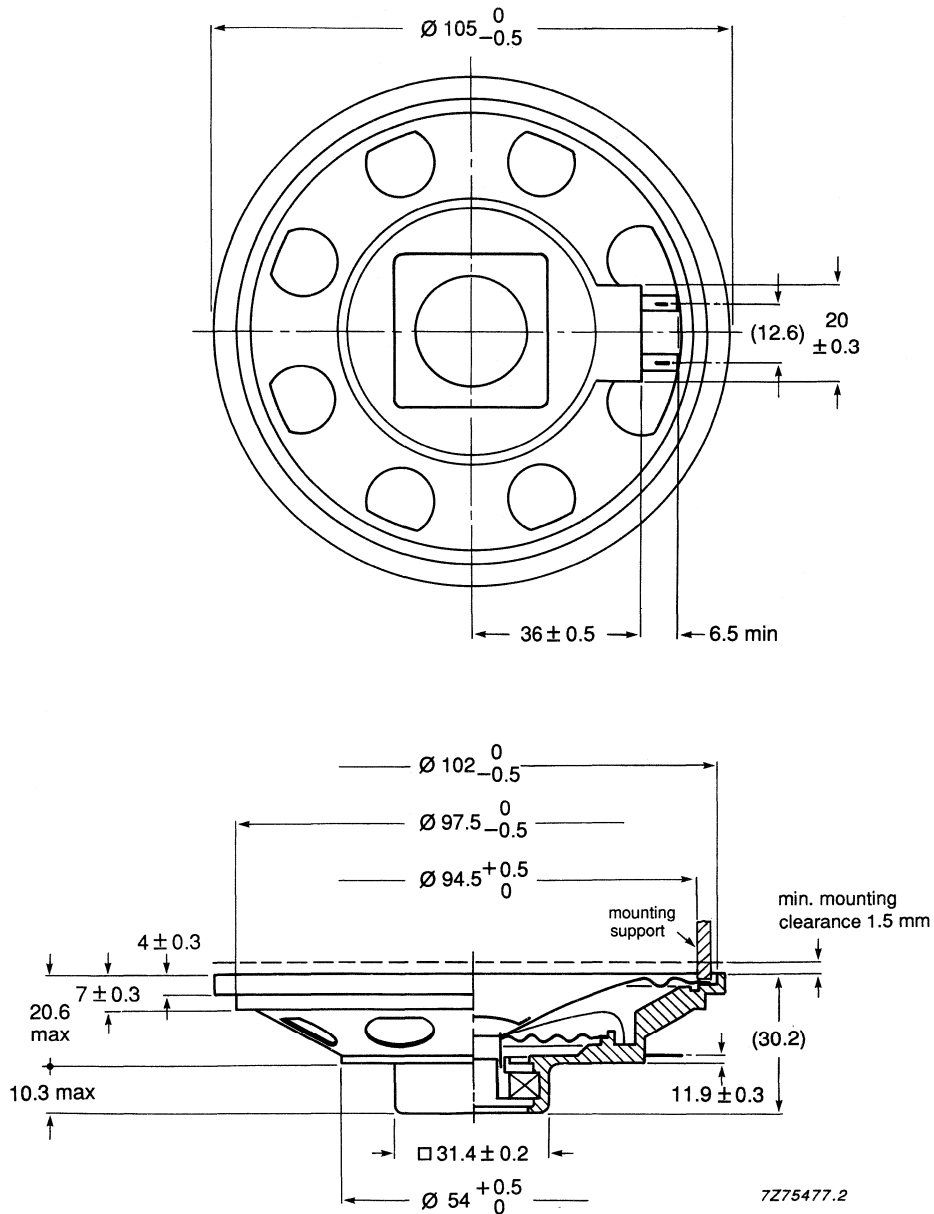


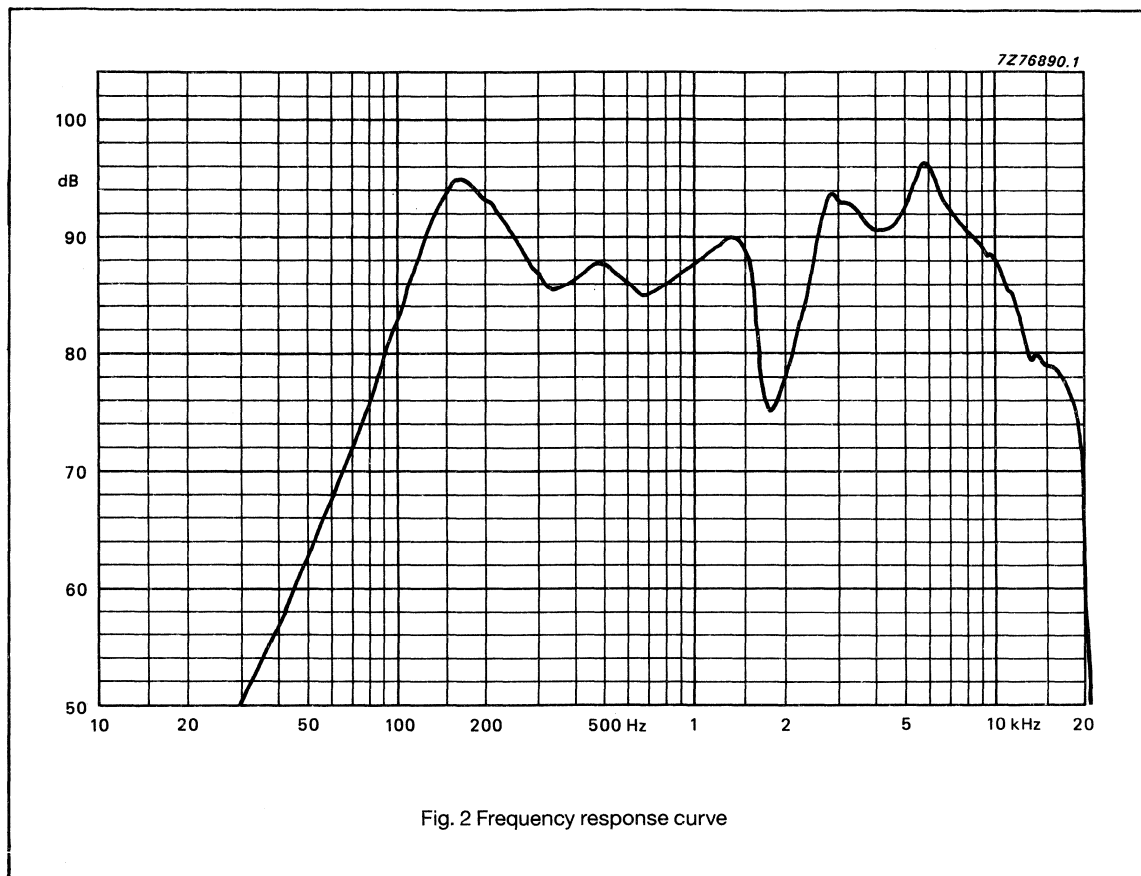
Fig. 1 Outline dimensions (mm)

# 4" Full Range Round Loudspeaker

# AD 40725 series

## FREQUENCY RESPONSE CURVES

Frequency response curves have been measured on an axis at a distance of 1 m with 1 W input power.



Catalogue number: 2403 257 54205  
 2403 257 54206  
 2403 257 54207  
 2403 257 54208



Data sheet	
status	Product specification
date of issue	May 1990

# AD 44725 series

## 4" Full Range Round Loudspeaker

### APPLICATION

Full range loudspeaker for portable receivers and intercoms.

### DESCRIPTION

• Frame	material: plastic finish: none
• Membrane	colour: black
• Suspension	material: paper
• Dust cap	material: plastic colour: black
• Gasket	none

### TECHNICAL DATA

	version				unit
	X4	X8	X15	X25	
<b>Unmounted</b>					
Rated impedance	4	8	15	25	$\Omega$
Voice coil resistance	3.6	7.2	13.5	22.5	$\Omega$
Resonance frequency	170	170	170	170	Hz
Sweep voltage	3.16	4.47	6.12	7.9	V
Magnetic flux density	0.74	0.74	0.74	0.74	T
Loudspeaker mass	70	70	70	70	g
<b>Mounted</b>					
Characteristic sensitivity		87			dB/W/m
Maximum noise power		5.0			W

# 4" Full Range Round Loudspeaker

# AD 44725 series

## MECHANICAL DATA

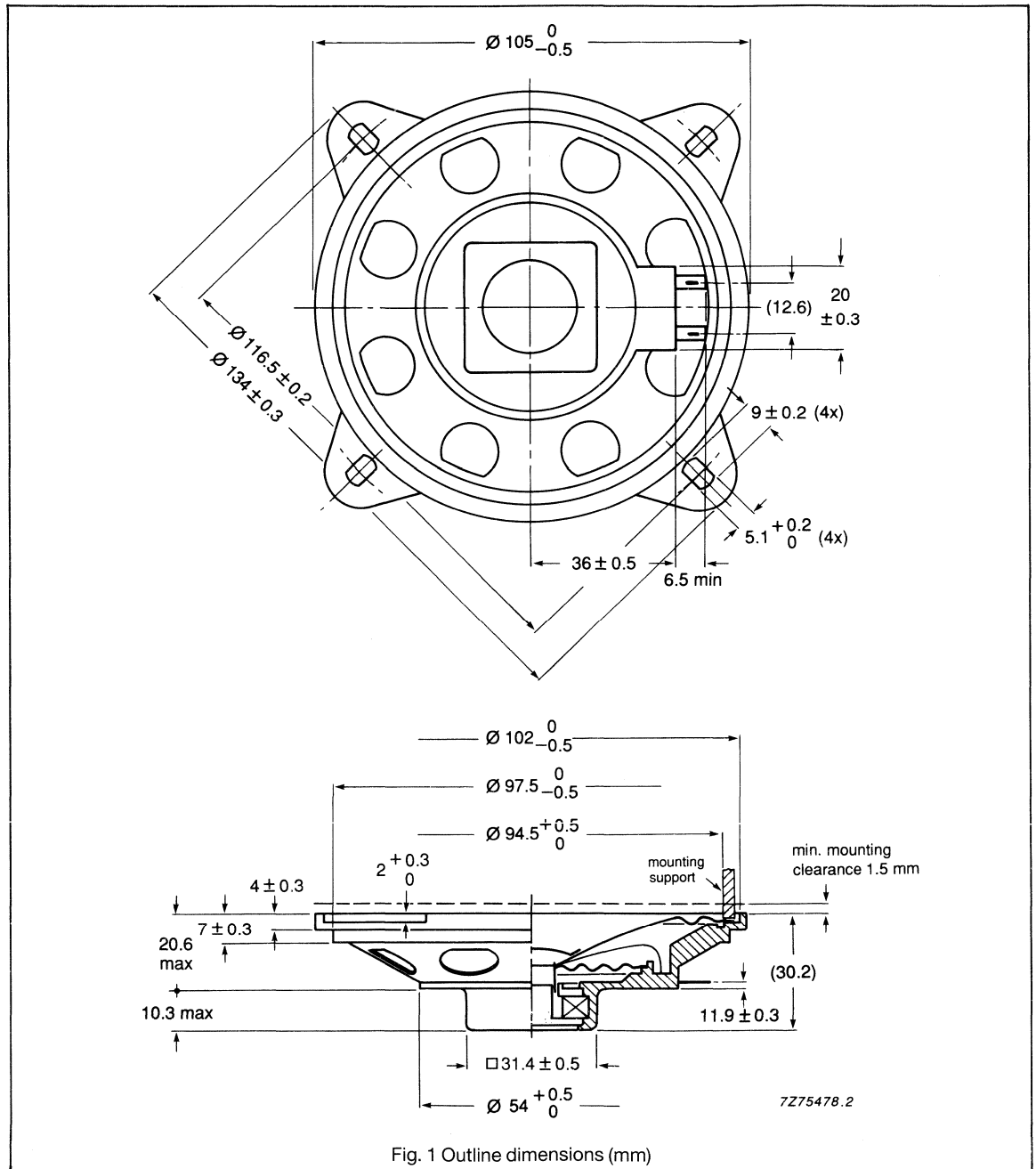
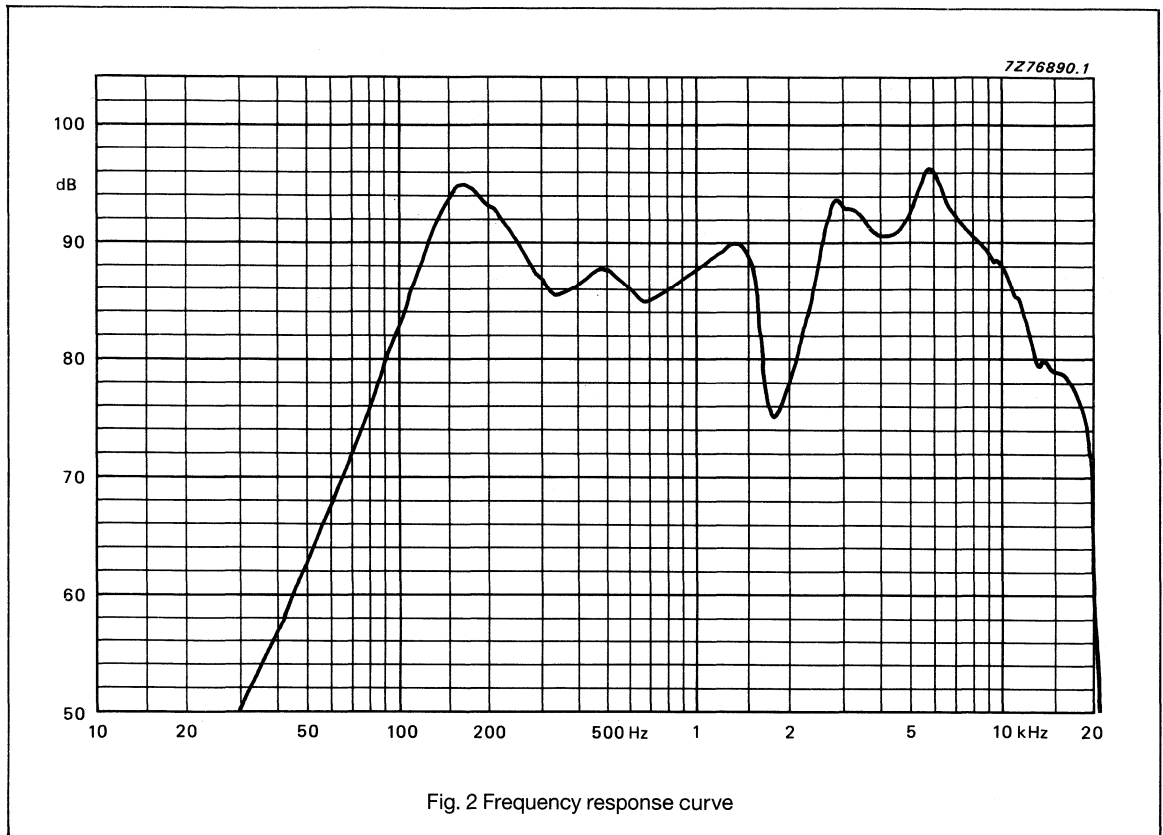


Fig. 1 Outline dimensions (mm)

**4" Full Range Round Loudspeaker****AD 44725 series****FREQUENCY RESPONSE CURVES**

Frequency response curves have been measured on an axis at a distance of 1 m with 1 W input power.



Catalogue number: 2403 257 54805  
2403 257 54806  
2403 257 54807  
2403 257 54808

Data sheet	
status	Product specification
date of issue	November 1989

# AD 4074 series

## 4" Full Range Round Loudspeaker

### APPLICATION

Full range loudspeaker for video applications.

### DESCRIPTION

• Frame	material: plastic finish: none
• Membrane	colour: black
• Suspension	material: paper
• Dust cap	material: plastic colour: black
• Gasket	none

### TECHNICAL DATA

	version				unit
	X4	X8	X15	X25	
<b>Unmounted</b>					
Rated impedance	4	8	15	25	Ω
Voice coil resistance	3.6	7.2	13.5	22.5	Ω
Resonance frequency	170	170	170	170	Hz
Sweep voltage	2.23	3.16	4.33	5.59	V
Magnetic flux density	0.74	0.74	0.74	0.74	T
Loudspeaker mass	74	74	74	74	g
<b>Mounted</b>					
Characteristic sensitivity	87				dB/W/m
Maximum noise power	2.5				W

4" Full Range Round Loudspeaker

AD 4074 series

MECHANICAL DATA

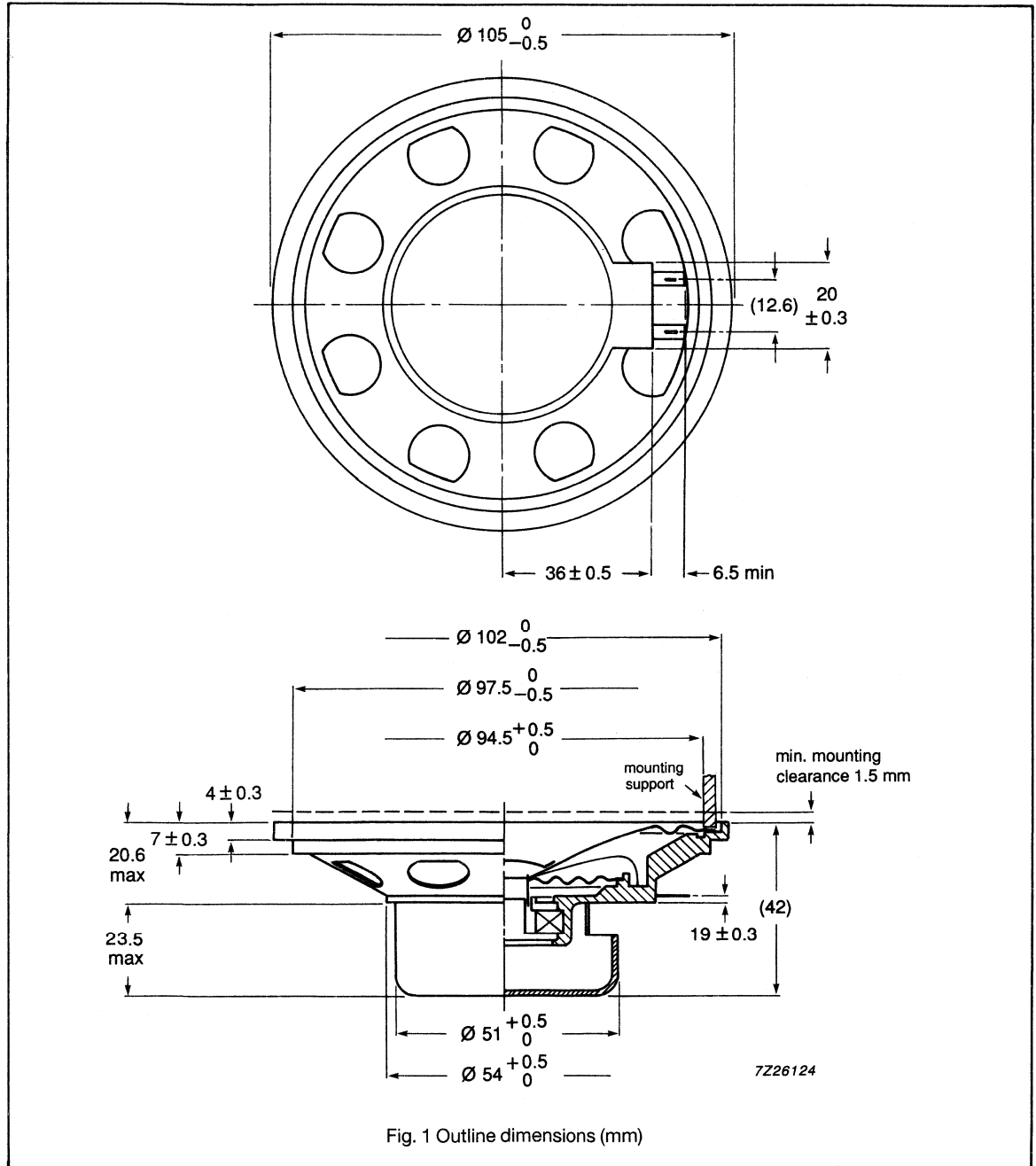
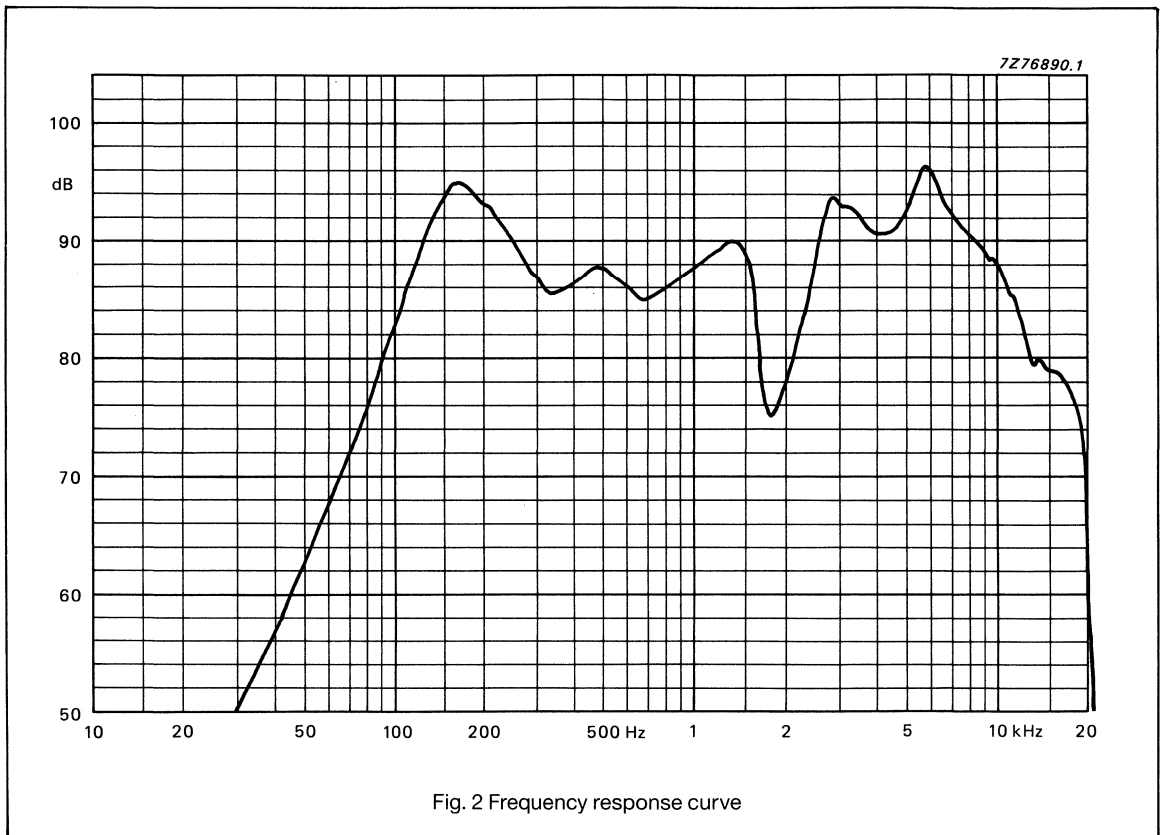


Fig. 1 Outline dimensions (mm)

**4" Full Range Round Loudspeaker****AD 4074 series****FREQUENCY RESPONSE CURVES**

Frequency response curves have been measured on an axis at a distance of 1 m with 1 W input power.



Catalogue number: 2403 257 24305  
2403 257 24306  
2403 257 24307  
2403 257 24308

Data sheet	
status	Product specification
date of issue	May 1990

# AD 4474 series

## 4" Full Range Round Loudspeaker

### APPLICATION

Full range loudspeaker for video applications.

### DESCRIPTION

• Frame	material: plastic finish: none
• Membrane	colour: black
• Suspension	material: paper
• Dust cap	material: plastic colour: black
• Gasket	none

### TECHNICAL DATA

	version				unit
	X4	X8	X15	X25	
<b>Unmounted</b>					
Rated impedance	4	8	15	25	$\Omega$
Voice coil resistance	3.6	7.2	13.5	22.5	$\Omega$
Resonance frequency	170	170	170	170	Hz
Sweep voltage	2.23	3.16	4.33	5.59	V
Magnetic flux density	0.74	0.74	0.74	0.74	T
Loudspeaker mass	74	74	74	74	g
<b>Mounted</b>					
Characteristic sensitivity		87			dB/W/m
Maximum noise power		2.5			W

4" Full Range Round Loudspeaker

AD 4474 series

MECHANICAL DATA

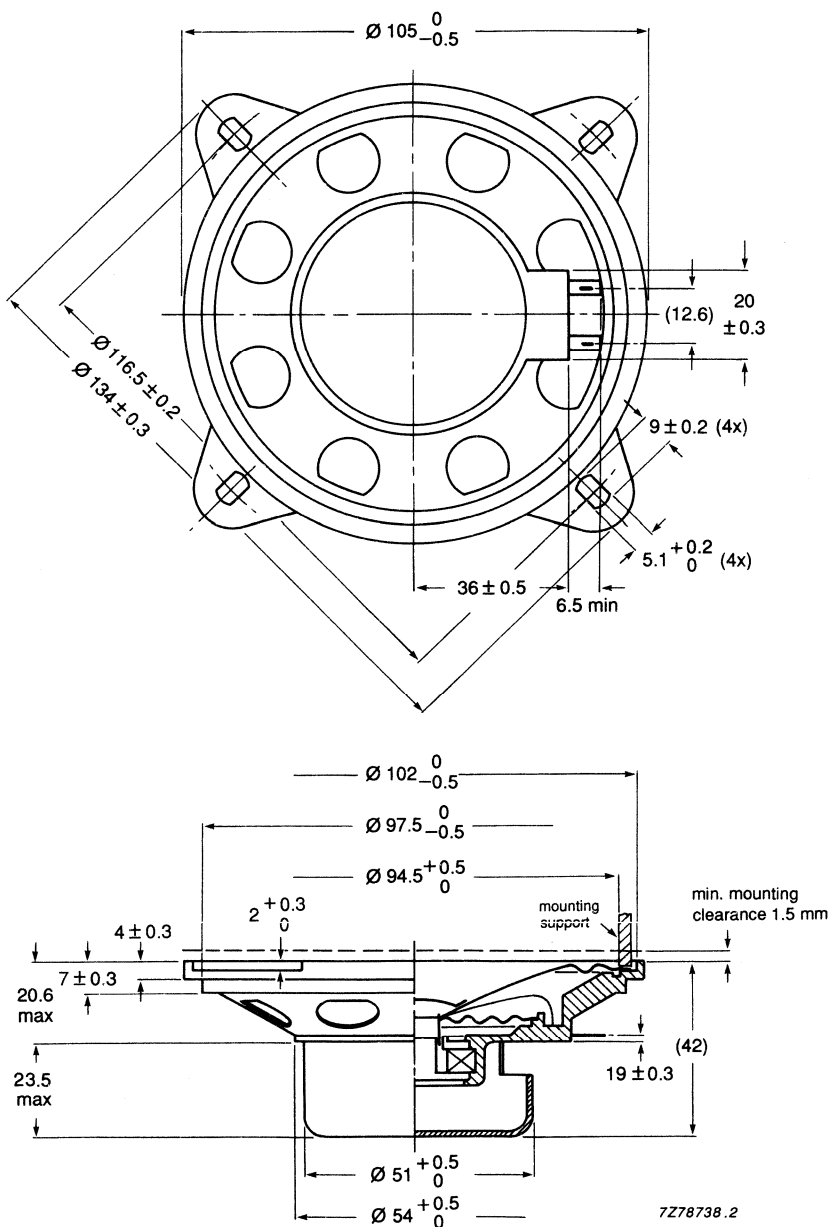
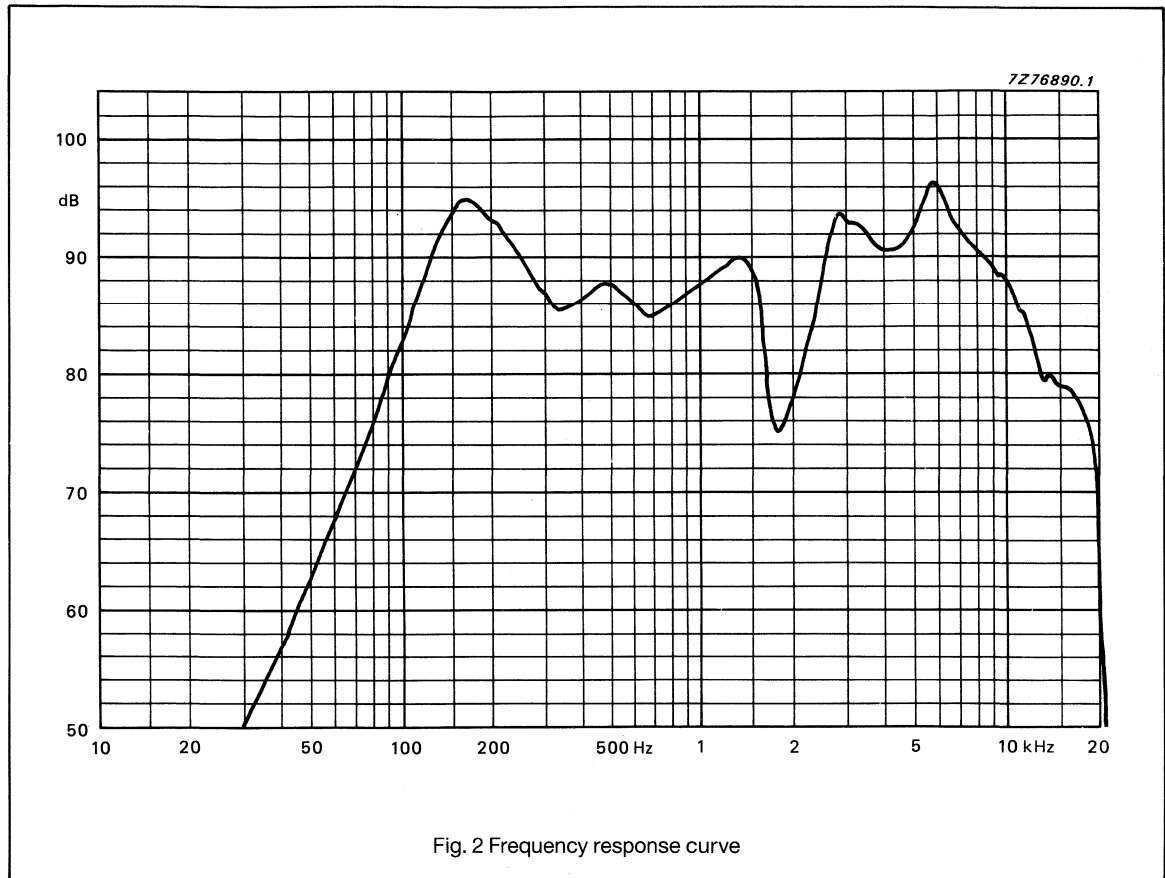


Fig. 1 Outline dimensions (mm)



**4" Full Range Round Loudspeaker****AD 4474 series****FREQUENCY RESPONSE CURVES**

Frequency response curves have been measured on an axis at a distance of 1 m with 1 W input power.



Catalogue number: 2403 257 24705  
2403 257 24706  
2403 257 24707  
2403 257 24708

**Philips Components**

Data sheet	
status	Product specification
date of issue	May 1990

# AD 40745 series

## 4" Full Range Round Loudspeaker

**APPLICATION**

Full range loudspeaker for video applications.

**DESCRIPTION**

• Frame	material: plastic finish: none
• Membrane	colour: black
• Suspension	material: paper
• Dust cap	material: plastic colour: black
• Gasket	none

**TECHNICAL DATA**

	version				unit
	X4	X8	X15	X25	
<b>Unmounted</b>					
Rated impedance	4	8	15	25	$\Omega$
Voice coil resistance	3.6	7.2	13.5	22.5	$\Omega$
Resonance frequency	170	170	170	170	Hz
Sweep voltage	2.64	3.74	5.12	6.61	V
Magnetic flux density	0.74	0.74	0.74	0.74	T
Loudspeaker mass	74	74	74	74	g
<b>Mounted</b>					
Characteristic sensitivity		87			dB/W/m
Maximum noise power		3.5			W

4" Full Range Round Loudspeaker

AD 40745 series

MECHANICAL DATA

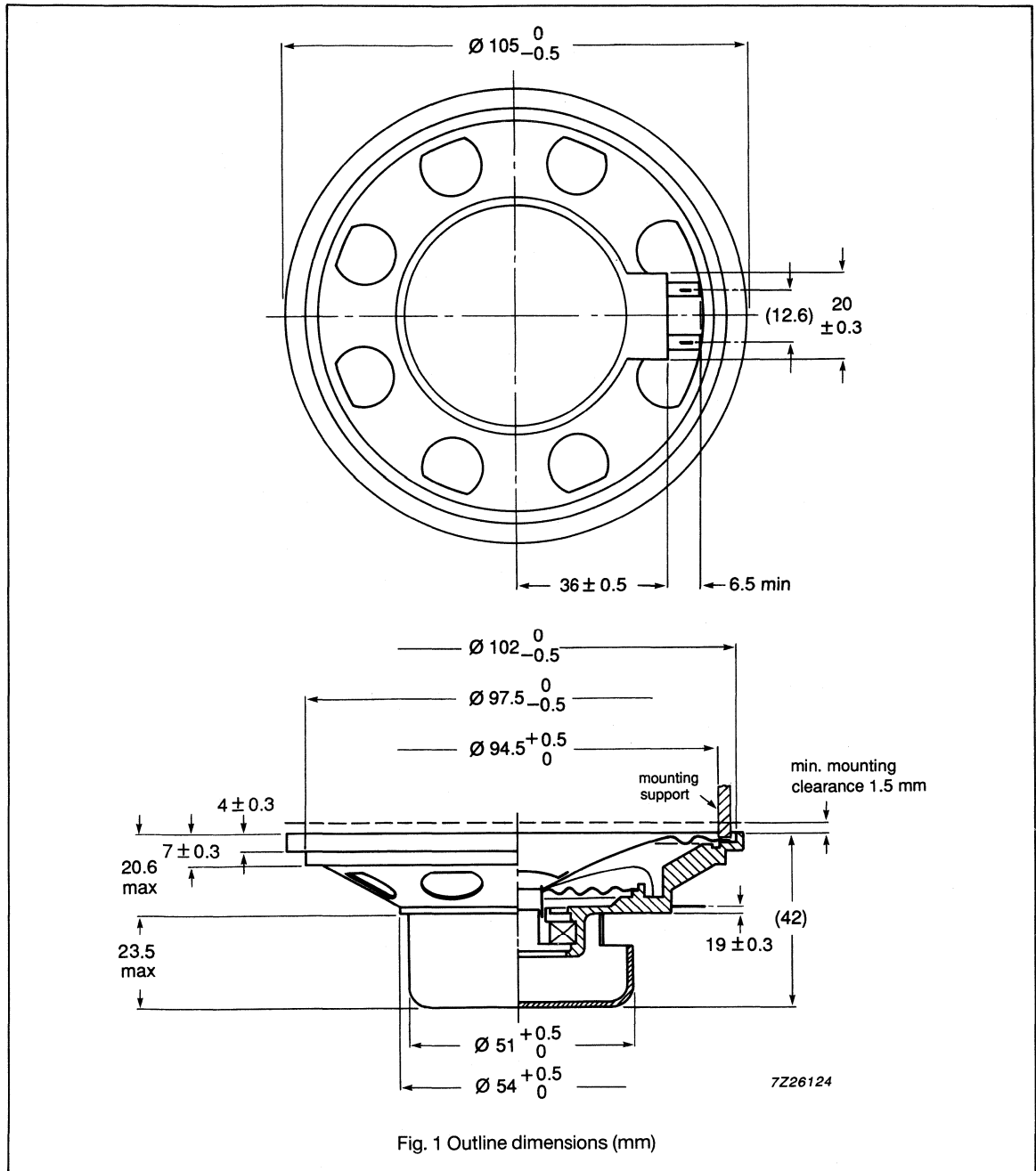


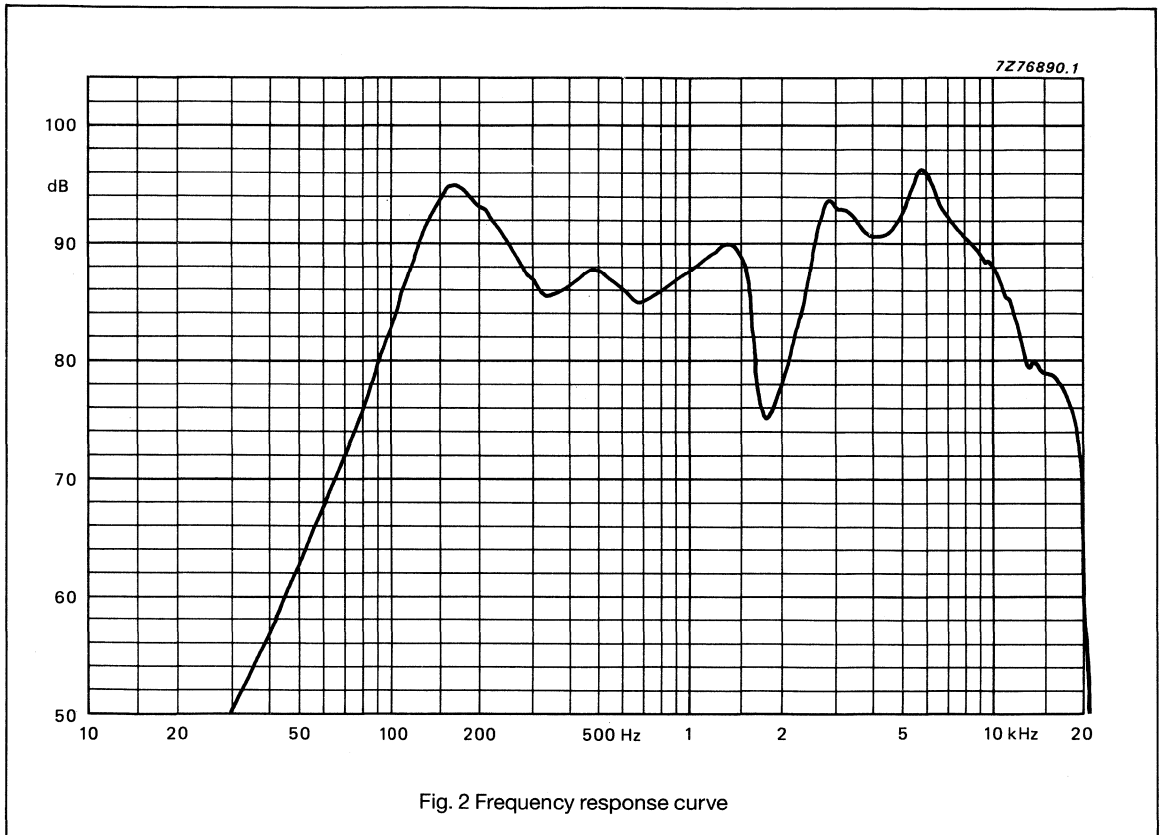
Fig. 1 Outline dimensions (mm)

# 4" Full Range Round Loudspeaker

# AD 40745 series

## FREQUENCY RESPONSE CURVES

Frequency response curves have been measured on an axis at a distance of 1 m with 1 W input power.



- Catalogue number: 2403 257 54305
- 2403 257 54306
- 2403 257 54307
- 2403 257 54308

**Philips Components**

Data sheet	
status	Product specification
date of issue	May 1990

# AD 44745 series

## 4" Full Range Round Loudspeaker

**APPLICATION**

Full range loudspeaker for video applications.

**DESCRIPTION**

• Frame	material: plastic finish: none
• Membrane	colour: black
• Suspension	material: paper
• Dust cap	material: plastic colour: black
• Gasket	none

**TECHNICAL DATA**

	version				unit
	X4	X8	X15	X25	
<b>Unmounted</b>					
Rated impedance	4	8	15	25	$\Omega$
Voice coil resistance	3.6	7.2	13.5	22.5	$\Omega$
Resonance frequency	170	170	170	170	Hz
Sweep voltage	2.64	3.74	5.12	6.61	V
Magnetic flux density	0.74	0.74	0.74	0.74	T
Loudspeaker mass	74	74	74	74	g
<b>Mounted</b>					
Characteristic sensitivity		87			dB/W/m
Maximum noise power		3.5			W

# 4" Full Range Round Loudspeaker

# AD 44745 series

## MECHANICAL DATA

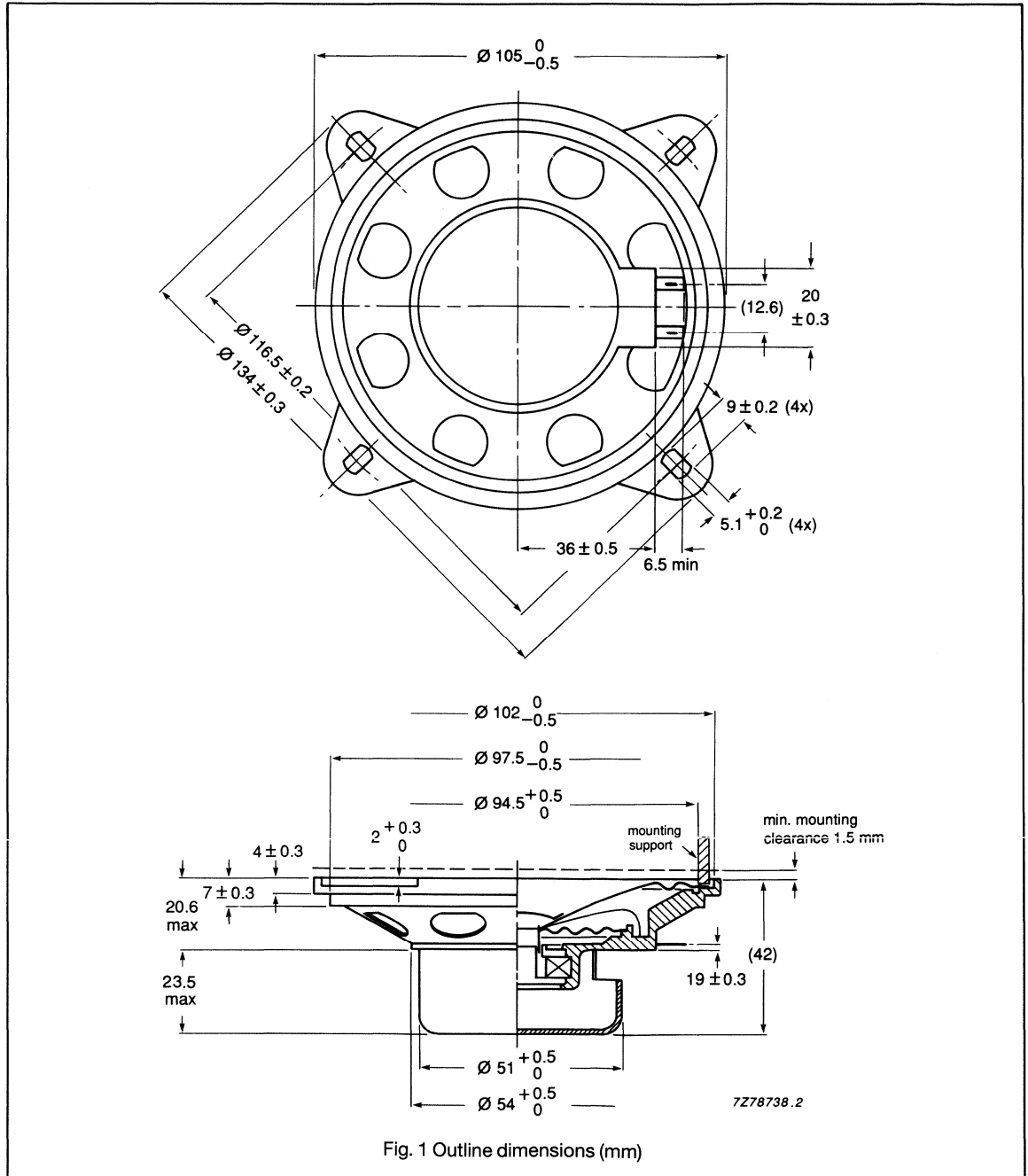
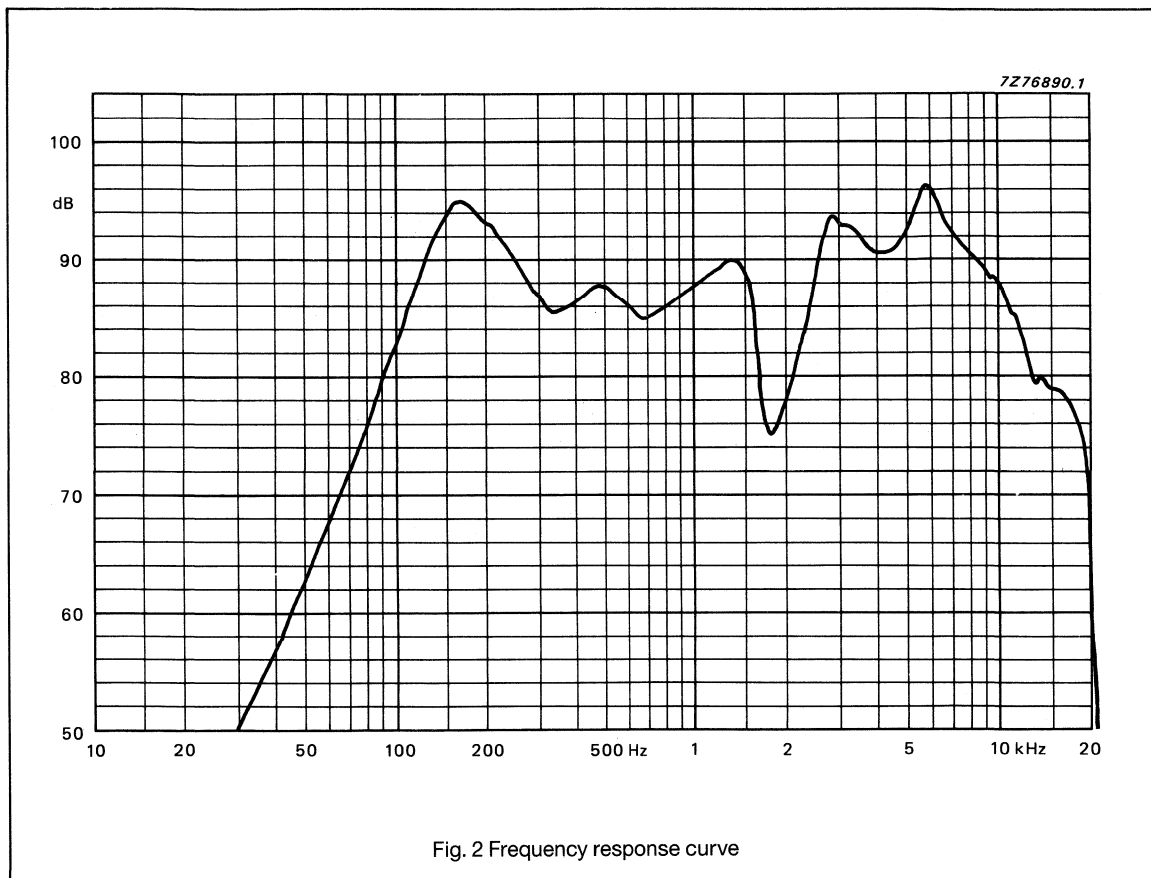


Fig. 1 Outline dimensions (mm)

**4" Full Range Round Loudspeaker****AD 44745 series****FREQUENCY RESPONSE CURVES**

Frequency response curves have been measured on an axis at a distance of 1 m with 1 W input power.



Catalogue number: 2403 257 54705

2403 257 54706

2403 257 54707

2403 257 54708

**Philips Components**

<b>Data sheet</b>	
<b>status</b>	Product specification
<b>date of issue</b>	November 1989

# AD 40743/X series

## 4" Full Range Round Loudspeaker

**APPLICATION**

Full range loudspeaker for video applications.

**DESCRIPTION**

• Frame	material: plastic finish: none
• Membrane	colour: black
• Suspension	material: paper
• Dust cap	material: plastic colour: black
• Gasket	none

**TECHNICAL DATA**

	version				unit	
	X4	X8	X15	X25		
<b>Unmounted</b>						
Rated impedance	4	8	15	25	Ω	
Voice coil resistance	3.6	7.2	13.5	22.5	Ω	
Resonance frequency	170	170	170	170	Hz	
Sweep voltage	2.23	3.16	4.33	5.59	V	
Magnetic flux density	0.74	0.74	0.74	0.74	T	
Loudspeaker mass	86	86	86	86	g	
<b>Mounted</b>						
Characteristic sensitivity					87	dB/W/m
Maximum noise power					2.5	W



4" Full Range Round Loudspeaker

AD 40743/X series

MECHANICAL DATA

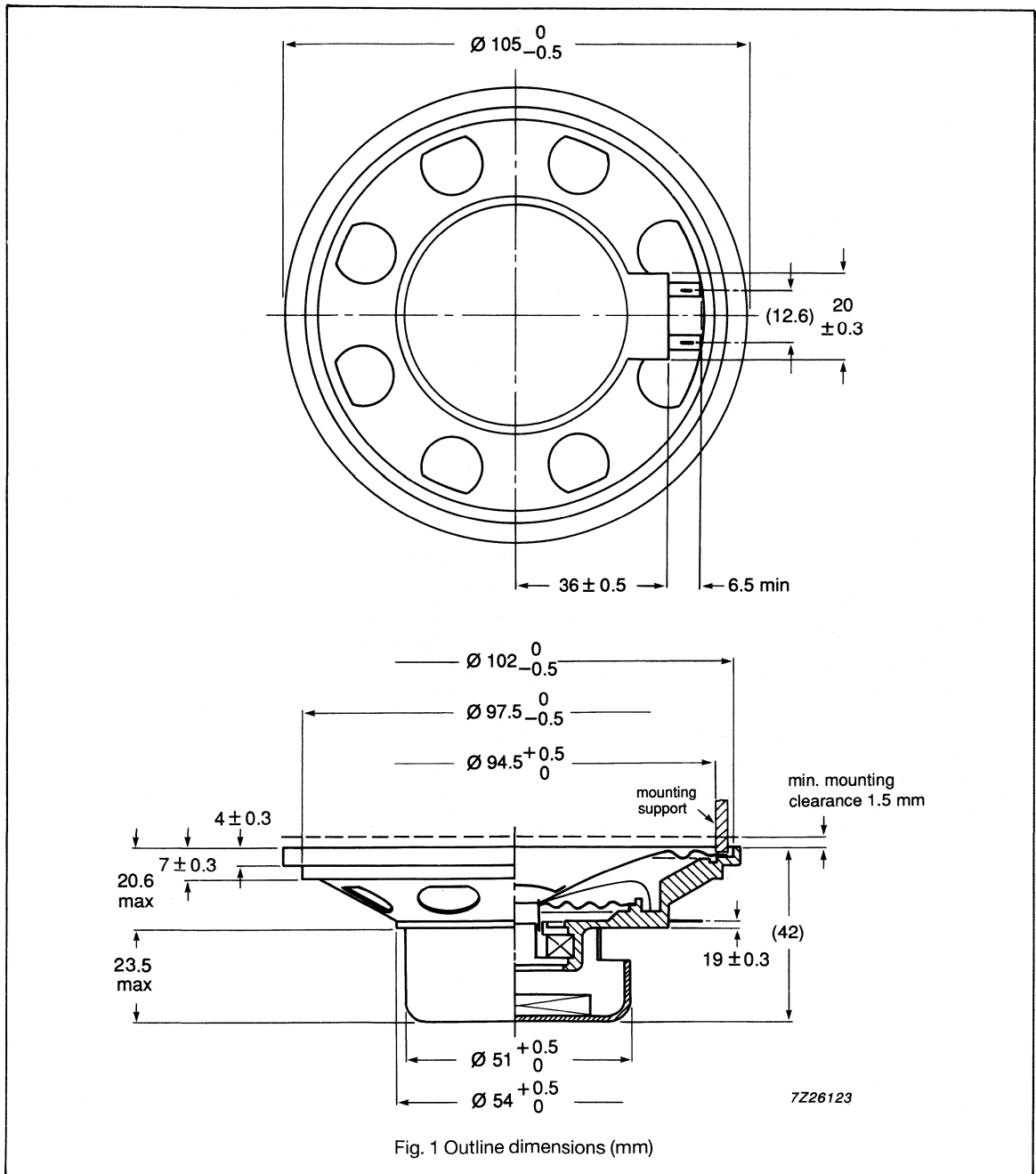
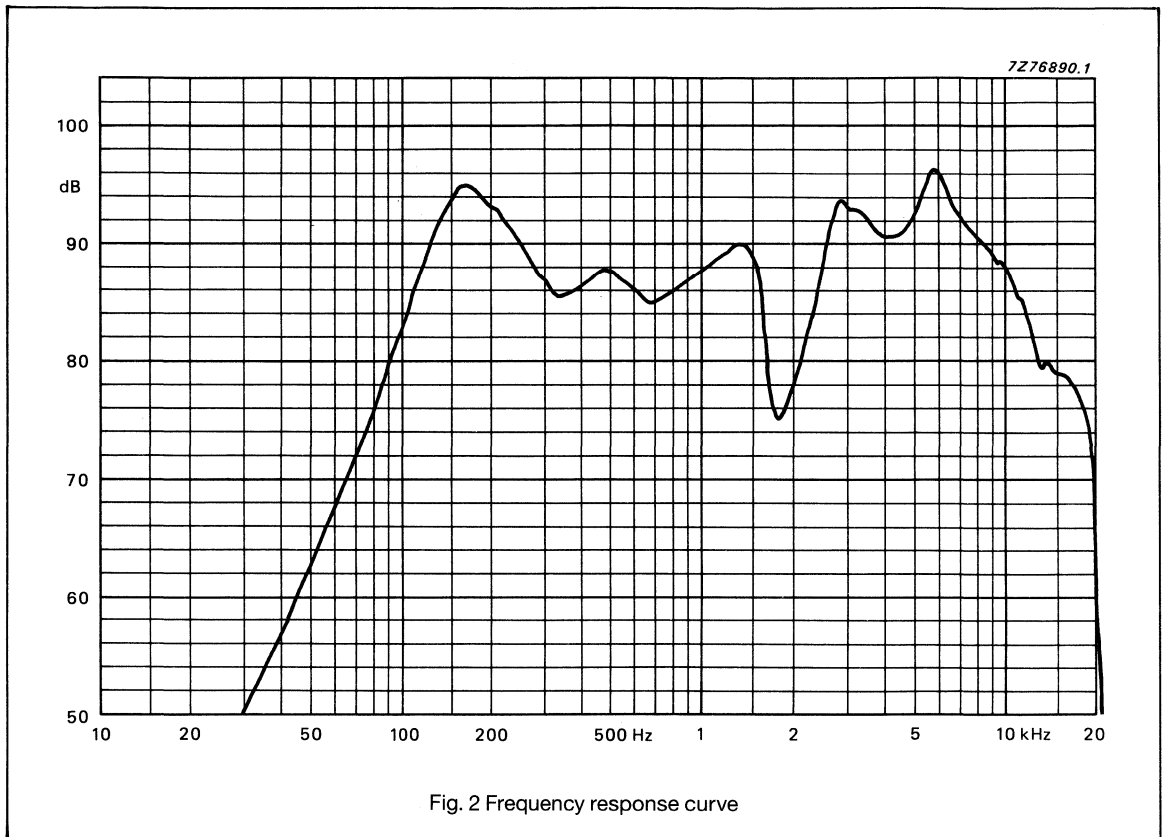


Fig. 1 Outline dimensions (mm)

**4" Full Range Round Loudspeaker****AD 40743/X series****FREQUENCY RESPONSE CURVES**

Frequency response curves have been measured on an axis at a distance of 1 m with 1 W input power.



Catalogue number: 2403 257 24405  
2403 257 24406  
2403 257 24407  
2403 257 24408

Data sheet	
status	Product specification
date of issue	May 1990

# AD 44743/X series

## 4" Full Range Round Loudspeaker

### APPLICATION

Full range loudspeaker for video applications.

### DESCRIPTION

• Frame	material: plastic finish: none
• Membrane	colour: black
• Suspension	material: paper
• Dust cap	material: plastic colour: black
• Gasket	none

### TECHNICAL DATA

	version				unit
	X4	X8	X15	X25	
<b>Unmounted</b>					
Rated impedance	4	8	15	25	$\Omega$
Voice coil resistance	3.6	7.2	13.5	22.5	$\Omega$
Resonance frequency	170	170	170	170	Hz
Sweep voltage	2.23	3.16	4.33	5.59	V
Magnetic flux density	0.74	0.74	0.74	0.74	T
Loudspeaker mass	86	86	86	86	g
<b>Mounted</b>					
Characteristic sensitivity		87			dB/W/m
Maximum noise power		2.5			W

4" Full Range Round Loudspeaker

AD 44743/X series

MECHANICAL DATA

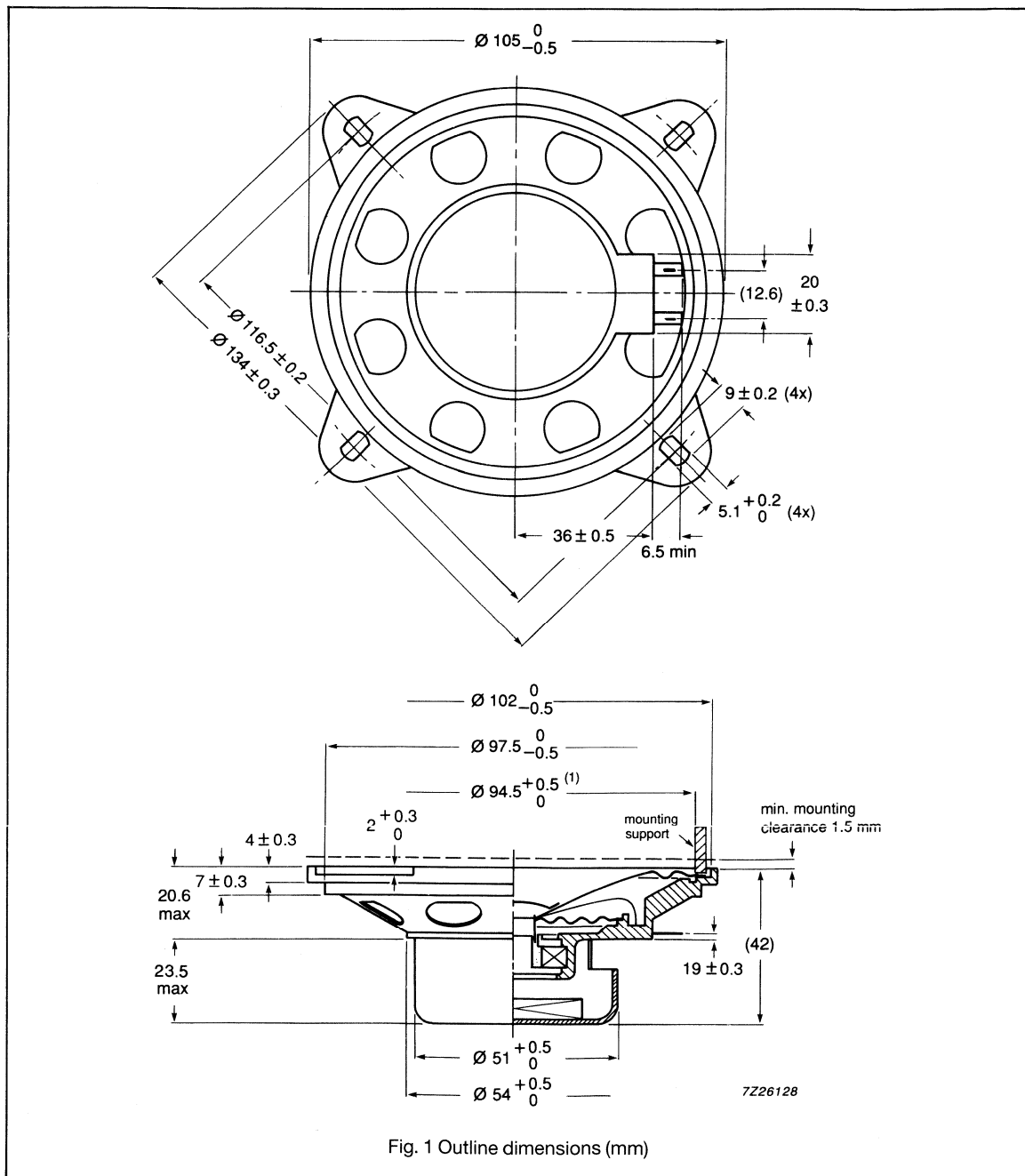
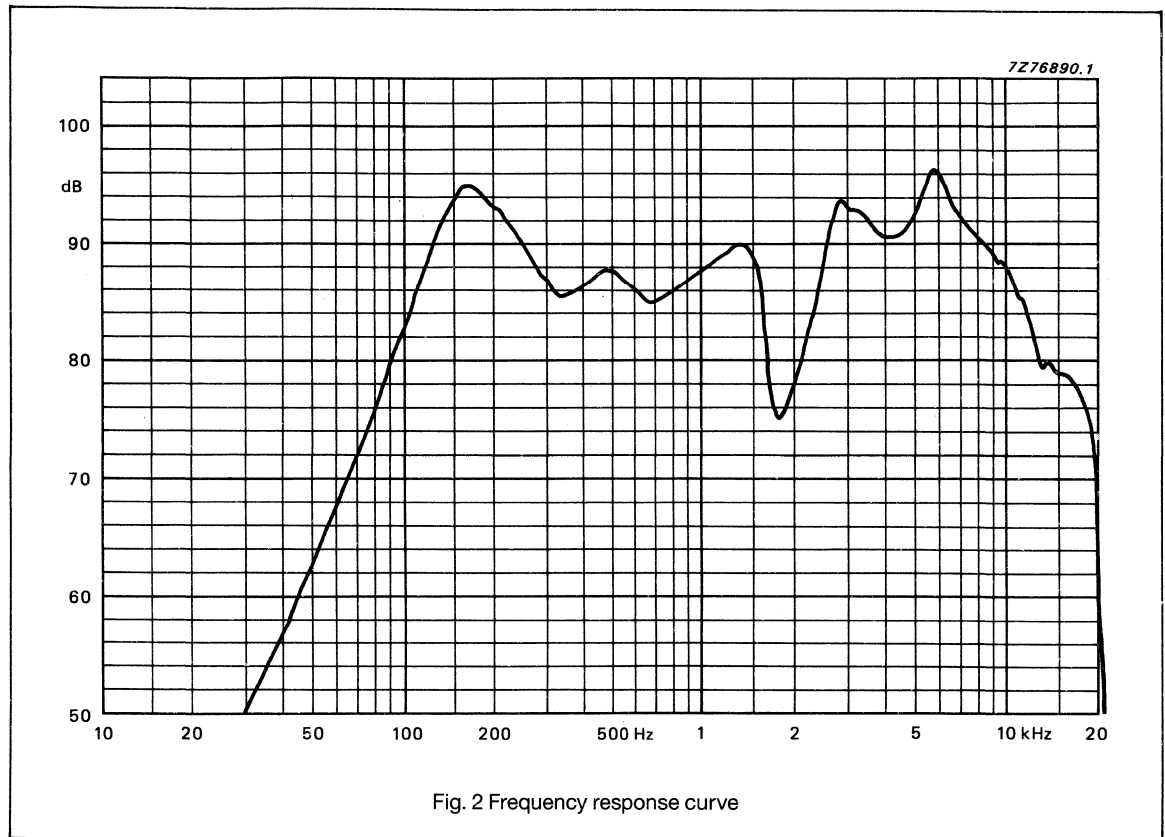


Fig. 1 Outline dimensions (mm)

**4" Full Range Round Loudspeaker****AD 44743/X series****FREQUENCY RESPONSE CURVES**

Frequency response curves have been measured on an axis at a distance of 1 m with 1 W input power.



Catalogue number: 2403 257 24505  
2403 257 24506  
2403 257 24507  
2403 257 24508

## Philips Components

Data sheet	
status	Product specification
date of issue	November 1989

# AD 40743/X.A series

## 4" Full Range Round Loudspeaker

### APPLICATION

Full range loudspeaker for video applications.

### DESCRIPTION

• Frame	material: plastic finish: none
• Membrane	colour: black
• Suspension	material: paper
• Dust cap	material: plastic colour: black
• Gasket	none

### TECHNICAL DATA

	version				unit
	X4	X8	X15	X25	
<b>Unmounted</b>					
Rated impedance	4	8	15	25	$\Omega$
Voice coil resistance	3.6	7.2	13.5	22.5	$\Omega$
Resonance frequency	170	170	170	170	Hz
Sweep voltage	2.64	3.74	5.12	6.61	V
Magnetic flux density	0.74	0.74	0.74	0.74	T
Loudspeaker mass	86	86	86	86	g
<b>Mounted</b>					
Characteristic sensitivity		87			dB/W/m
Maximum noise power		3.5			W

4" Full Range Round Loudspeaker

AD 40743/X.A series

MECHANICAL DATA

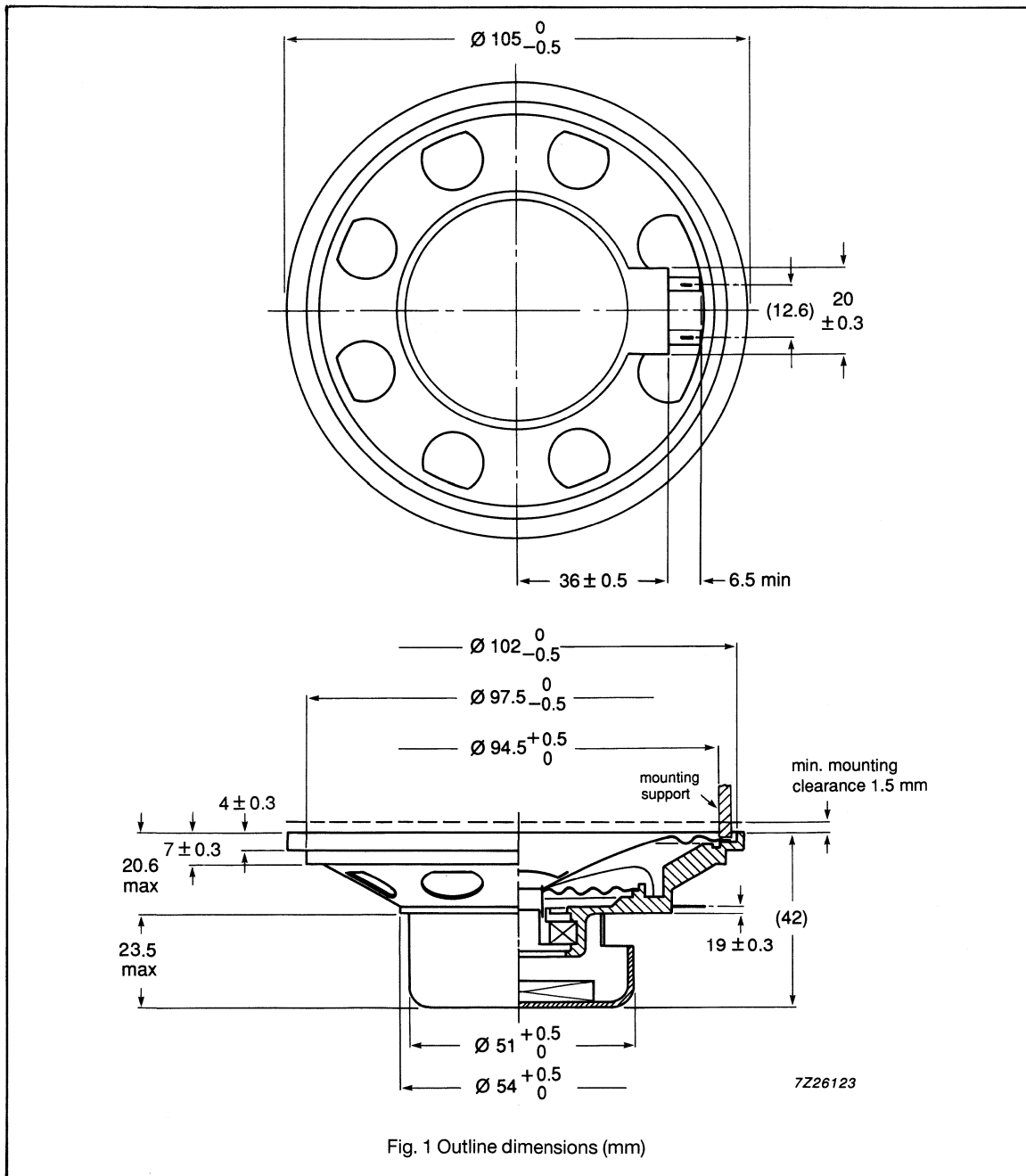


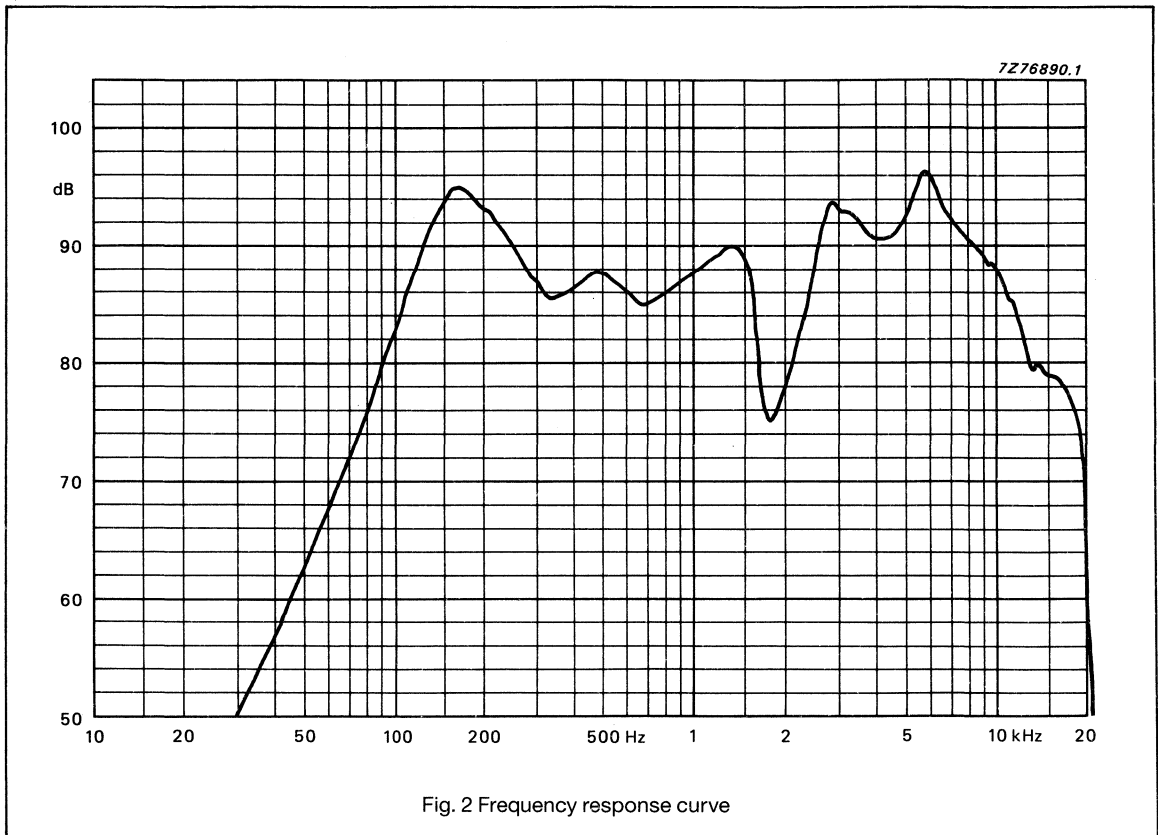
Fig. 1 Outline dimensions (mm)

## 4" Full Range Round Loudspeaker

**AD 40743/X.A series**

### FREQUENCY RESPONSE CURVES

Frequency response curves have been measured on an axis at a distance of 1 m with 1 W input power.



Catalogue number: 2403 257 54405  
2403 257 54406  
2403 257 54407  
2403 257 54408



**Philips Components**

<b>Data sheet</b>	
<b>status</b>	Product specification
<b>date of issue</b>	May 1990

# AD 44743/X.A series

## 4" Full Range Round Loudspeaker

**APPLICATION**

Full range loudspeaker for video applications.

**DESCRIPTION**

• Frame	material: plastic finish: none
• Membrane	colour: black
• Suspension	material: paper
• Dust cap	material: plastic colour: black
• Gasket	none

**TECHNICAL DATA**

	version				unit	
	X4	X8	X15	X25		
<b>Unmounted</b>						
Rated impedance	4	8	15	25	$\Omega$	
Voice coil resistance	3.6	7.2	13.5	22.5	$\Omega$	
Resonance frequency	170	170	170	170	Hz	
Sweep voltage	2.64	3.74	5.12	6.61	V	
Magnetic flux density	0.74	0.74	0.74	0.74	T	
Loudspeaker mass	86	86	86	86	g	
<b>Mounted</b>						
Characteristic sensitivity					87	dB/W/m
Maximum noise power					3.5	W

# 4" Full Range Round Loudspeaker

# AD 44743/X.A series

## MECHANICAL DATA

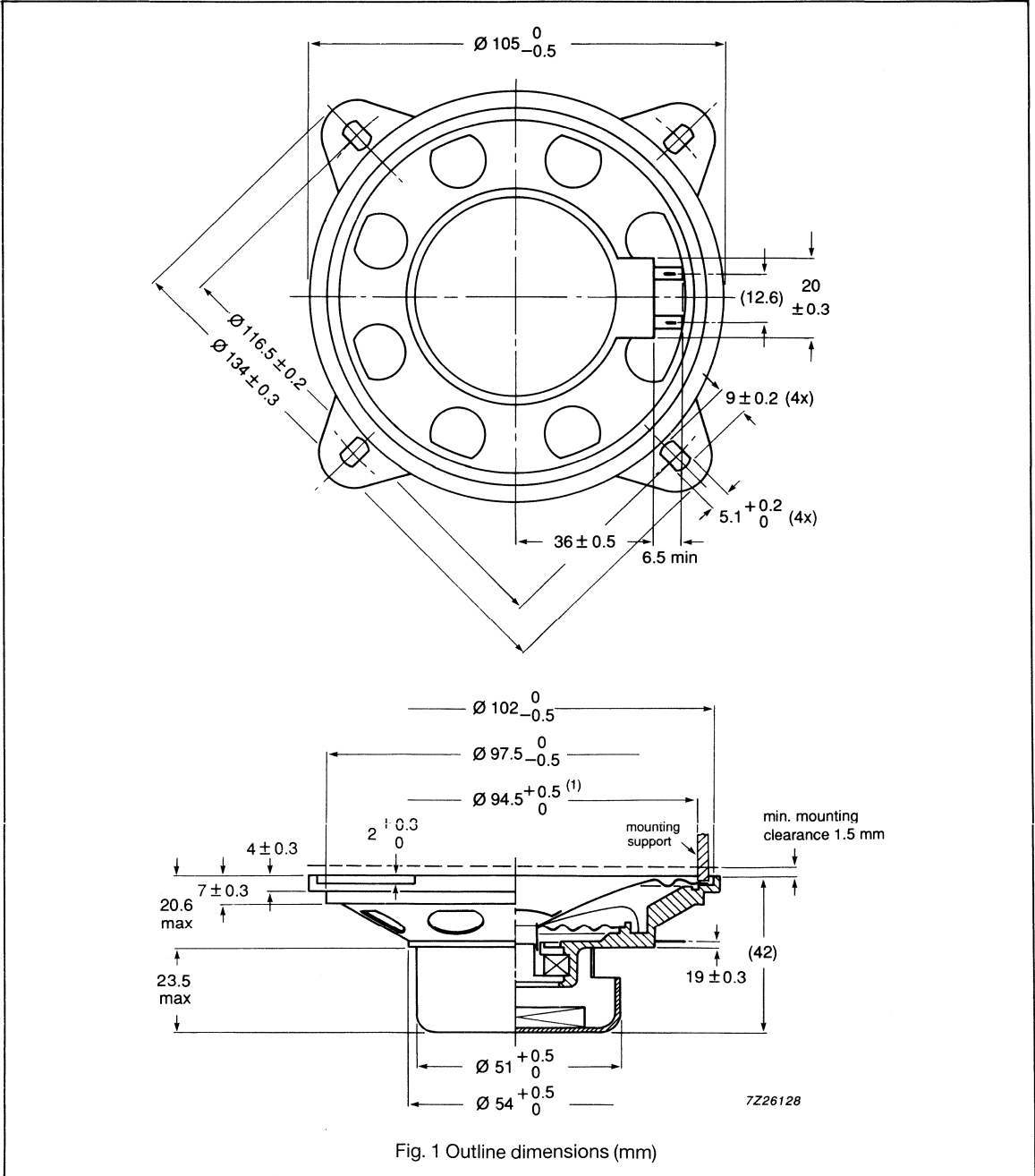
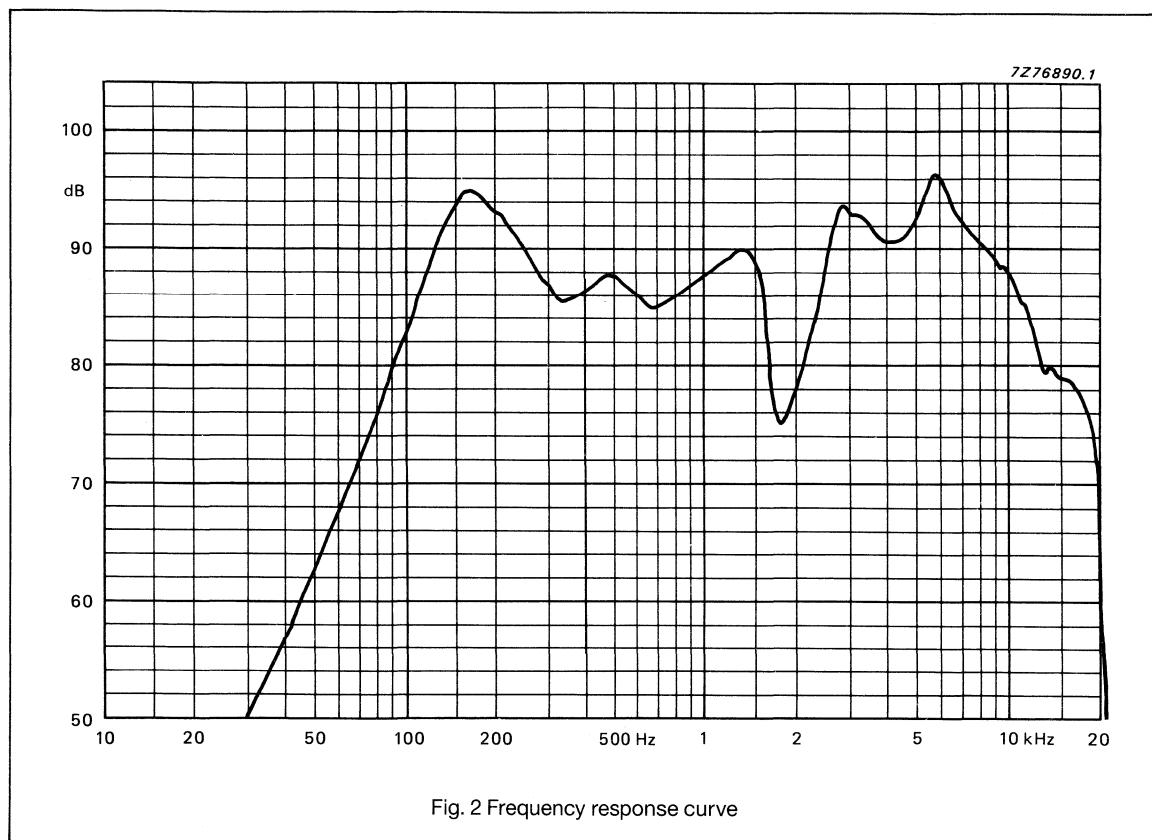


Fig. 1 Outline dimensions (mm)

**4" Full Range Round Loudspeaker****AD 44743/X.A series****FREQUENCY RESPONSE CURVES**

Frequency response curves have been measured on an axis at a distance of 1 m with 1 W input power.



Catalogue number: 2403 257 54505  
2403 257 54506  
2403 257 54507  
2403 257 54508

Data sheet	
status	Product specification
date of issue	October 1989

# WD 40925 series

## 4" Full Range Round Loudspeaker

### APPLICATION

Full range loudspeaker for audio applications.

### DESCRIPTION

• Frame	material: plastic finish: none
• Membrane	colour: black
• Suspension	material: paper
• Dust cap	material: plastic colour: black
• Gasket	none

### TECHNICAL DATA

	version				unit
	X4	X8	X15	X25	
<b>Unmounted</b>					
Rated impedance	4	8	15	25	Ω
Voice coil resistance	3.6	7.2	13.5	22.5	Ω
Resonance frequency	150	150	150	150	Hz
Sweep voltage	3.74	5.29	7.24	9.35	V
Magnetic flux density	1.02	1.02	1.02	1.02	T
Loudspeaker mass	155	155	155	155	g
<b>Mounted</b>					
Characteristic sensitivity		90			dB/w/m
Maximum noise power		7.0			W

4" Full Range Round Loudspeaker

WD 40925 series

MECHANICAL DATA

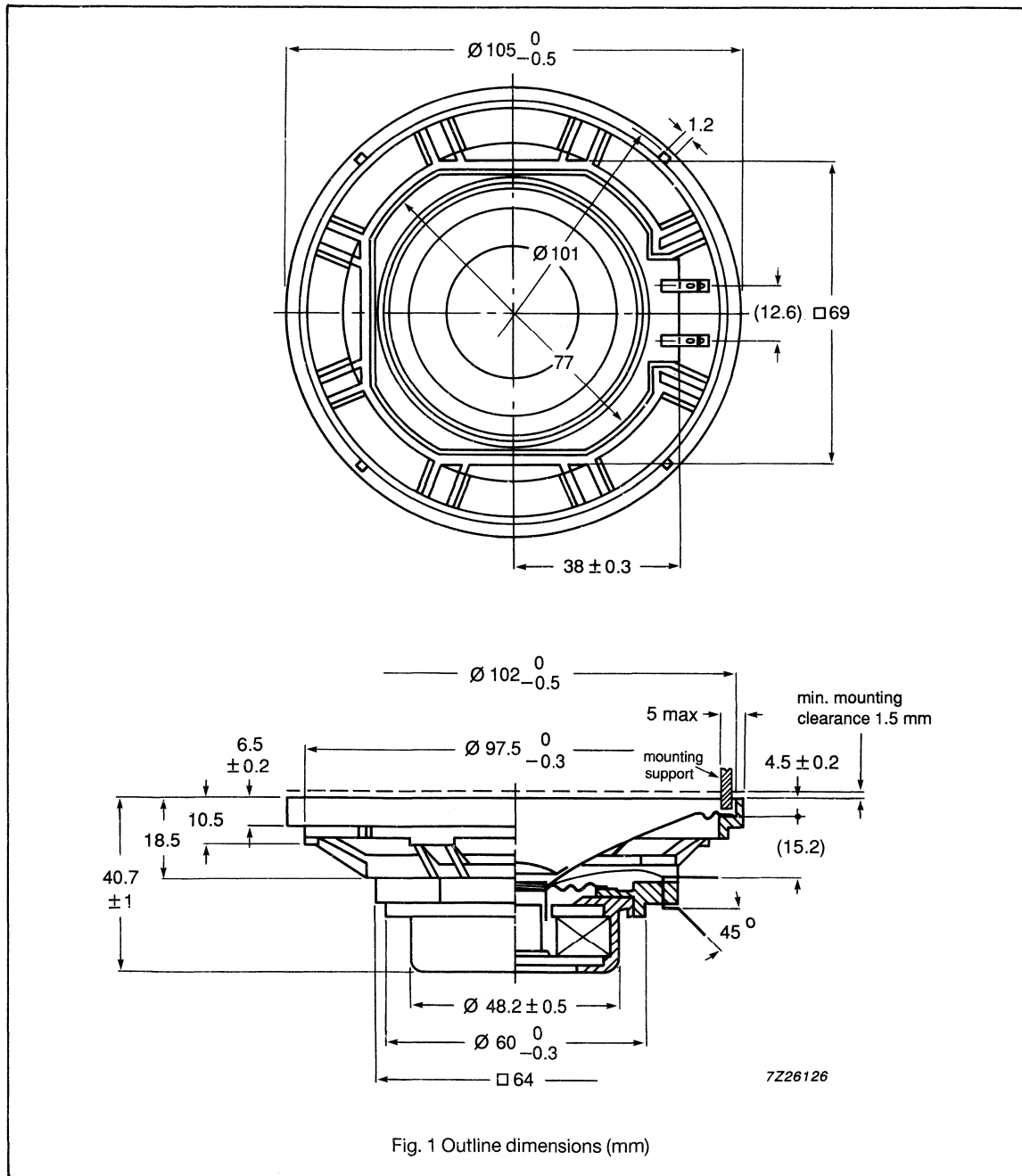


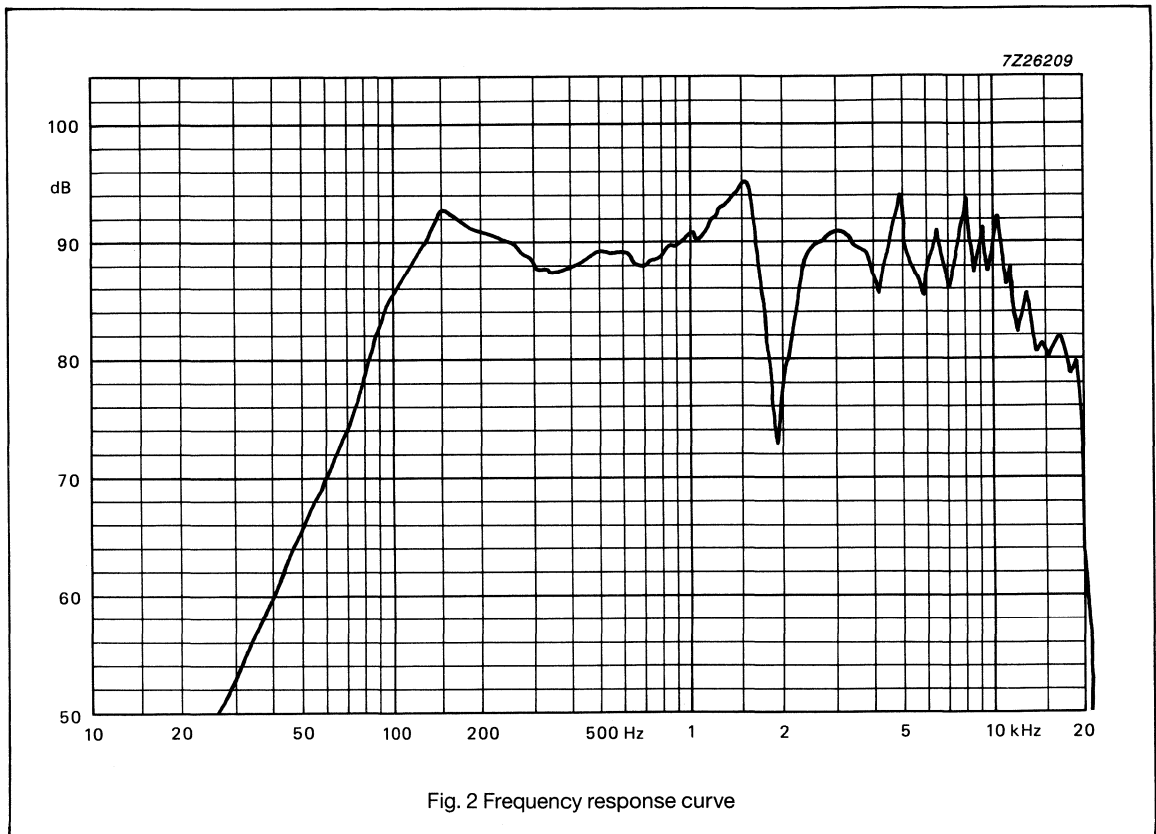
Fig. 1 Outline dimensions (mm)

## 4" Full Range Round Loudspeaker

**WD 40925 series**

### FREQUENCY RESPONSE CURVES

Frequency response curves have been measured on an axis at a distance of 1 m with 1 W input power.



Catalogue number: 2403 253 00601  
2403 253 00602  
2403 253 00603  
2403 253 00604

Data sheet	
status	Product specification
date of issue	May 1990

# WD 44925 series

## 4" Full Range Round Loudspeaker

**APPLICATION**

Full range loudspeaker for audio applications.

**DESCRIPTION**

• Frame	material: plastic finish: none
• Membrane	colour: black
• Suspension	material: paper
• Dust cap	material: plastic colour: black
• Gasket	: none

**TECHNICAL DATA**

	version				unit
	X4	X8	X15	X25	
<b>Unmounted</b>					
Rated impedance	4	8	15	25	Ω
Voice coil resistance	3.6	7.2	13.5	22.5	Ω
Resonance frequency	150	150	150	150	Hz
Sweep voltage	3.74	5.29	7.24	9.35	V
Magnetic flux density	1.02	1.02	1.02	1.02	T
Loudspeaker mass	155	155	155	155	g
<b>Mounted</b>					
Characteristic sensitivity	90				dB/W/m
Maximum noise power	7.0				W

# 4" Full Range Round Loudspeaker

# WD 44925 series

## MECHANICAL DATA

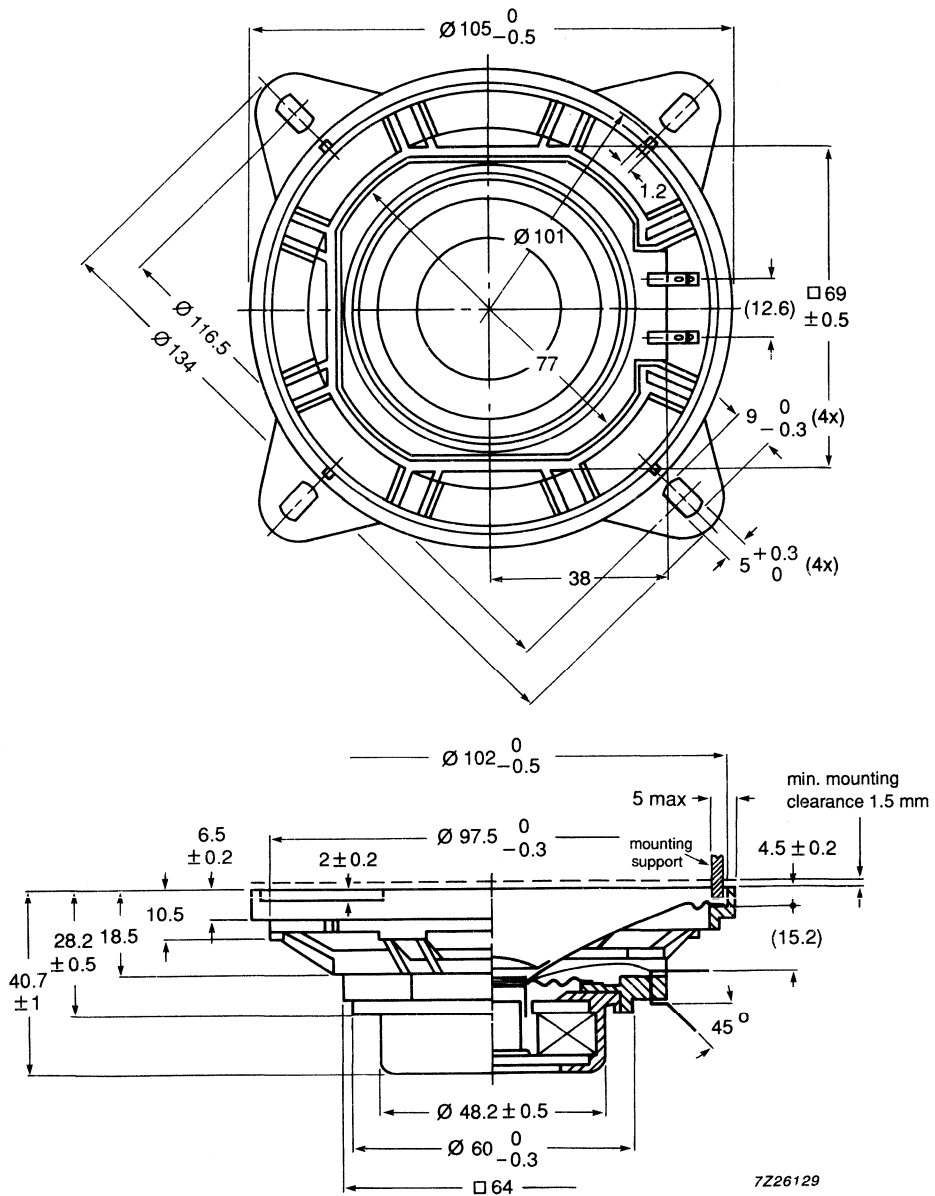


Fig. 1 Outline dimensions (mm)

7Z26129

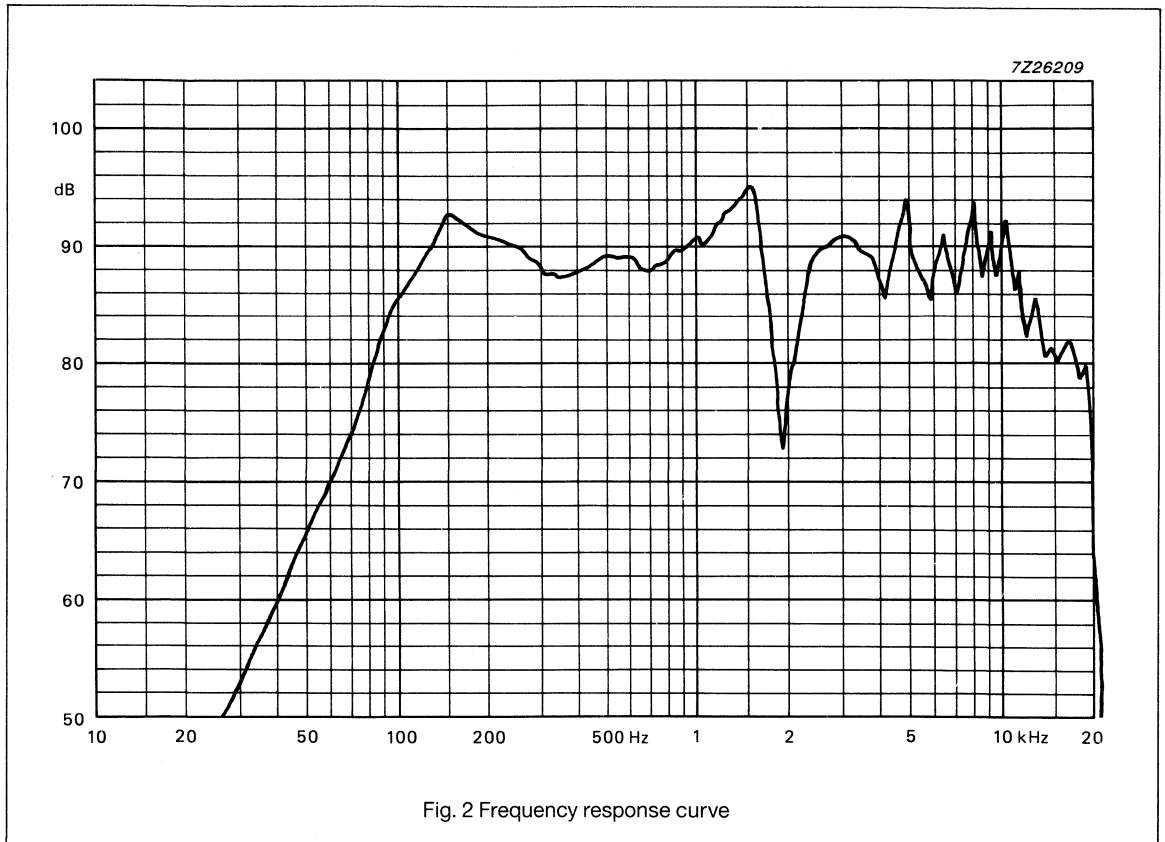


**4" Full Range Round Loudspeaker**

**WD 44925 series**

**FREQUENCY RESPONSE CURVES**

Frequency response curves have been measured on an axis at a distance of 1 m with 1 W input power.



Catalogue number: 2403 253 00701  
 2403 253 00702  
 2403 253 00703  
 2403 253 00704

**Philips Components**

<b>Data sheet</b>	
<b>status</b>	Product specification
<b>date of issue</b>	October 1989

# WD 40945 series

## 4" Full Range Round Loudspeaker

**APPLICATION**

Full range loudspeaker for video applications.

**DESCRIPTION**

• Frame	material: plastic finish: none
• Membrane	colour: black
• Suspension	material: paper
• Dust cap	material: plastic colour: black
• Gasket	none

**TECHNICAL DATA**

	version				unit	
	X4	X8	X15	X25		
<b>Unmounted</b>						
Rated impedance	4	8	15	25	Ω	
Voice coil resistance	3.6	7.2	13.5	22.5	Ω	
Resonance frequency	150	150	150	150	Hz	
Sweep voltage	3.74	5.29	7.24	9.35	V	
Magnetic flux density	1.02	1.02	1.02	1.02	T	
Loudspeaker mass	160	160	160	160	g	
<b>Mounted</b>						
Characteristic sensitivity					90	dB/w/m
Maximum noise power					7.0	W

4" Full Range Round Loudspeaker

WD 40945 series

MECHANICAL DATA

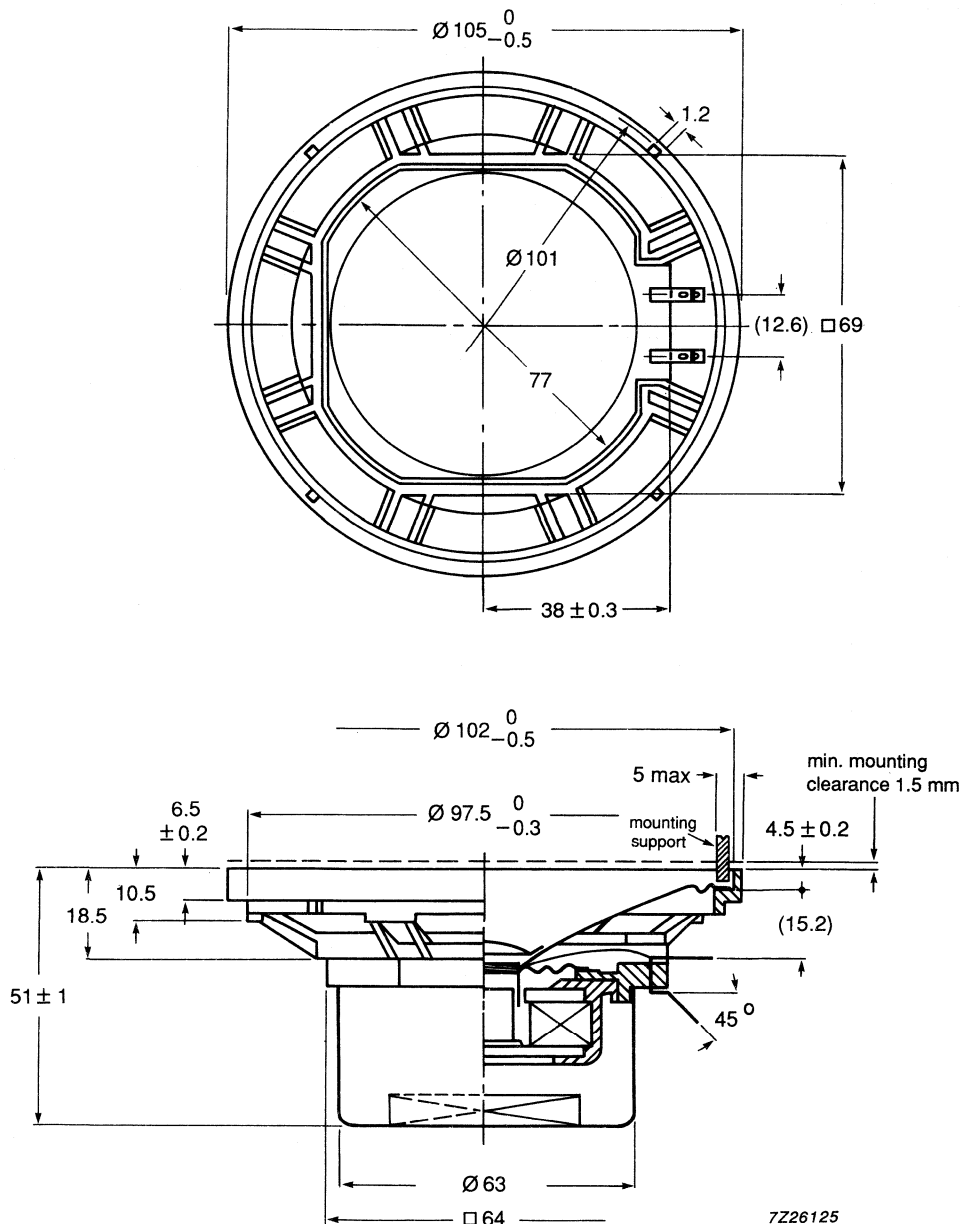


Fig. 1 Outline dimensions (mm)

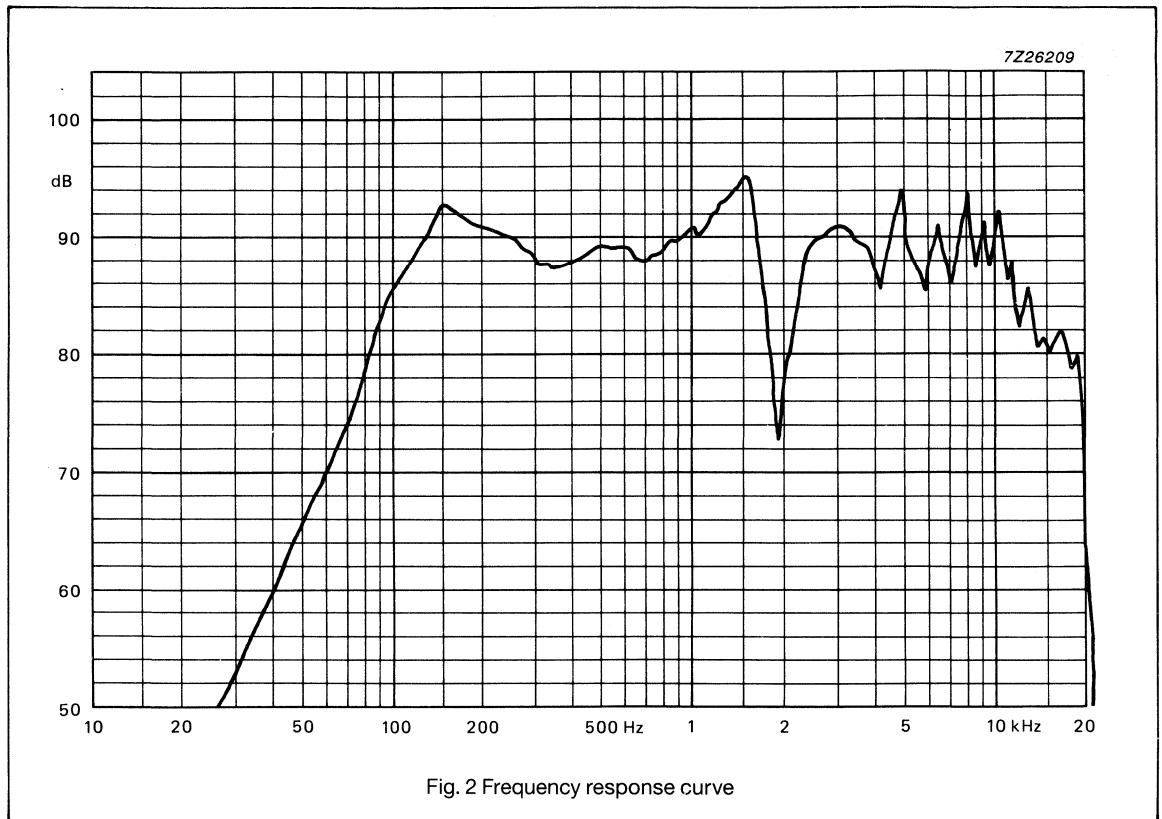
7Z26125

## 4" Full Range Round Loudspeaker

**WD 40945 series**

### FREQUENCY RESPONSE CURVES

Frequency response curves have been measured on an axis at a distance of 1 m with 1 W input power.



Catalogue number: 2403 253 00801  
2403 253 00802  
2403 253 00803  
2403 253 00804

**Philips Components**

<b>Data sheet</b>	
<b>status</b>	Product specification
<b>date of issue</b>	May 1990

# WD 44945 series

## 4" Full Range Round Loudspeaker

**APPLICATION**

Full range loudspeaker for video applications.

**DESCRIPTION**

- |              |                                    |
|--------------|------------------------------------|
| • Frame      | material: plastic<br>finish: none  |
| • Membrane   | colour: black                      |
| • Suspension | material: paper                    |
| • Dust cap   | material: plastic<br>colour: black |
| • Gasket     | : none                             |

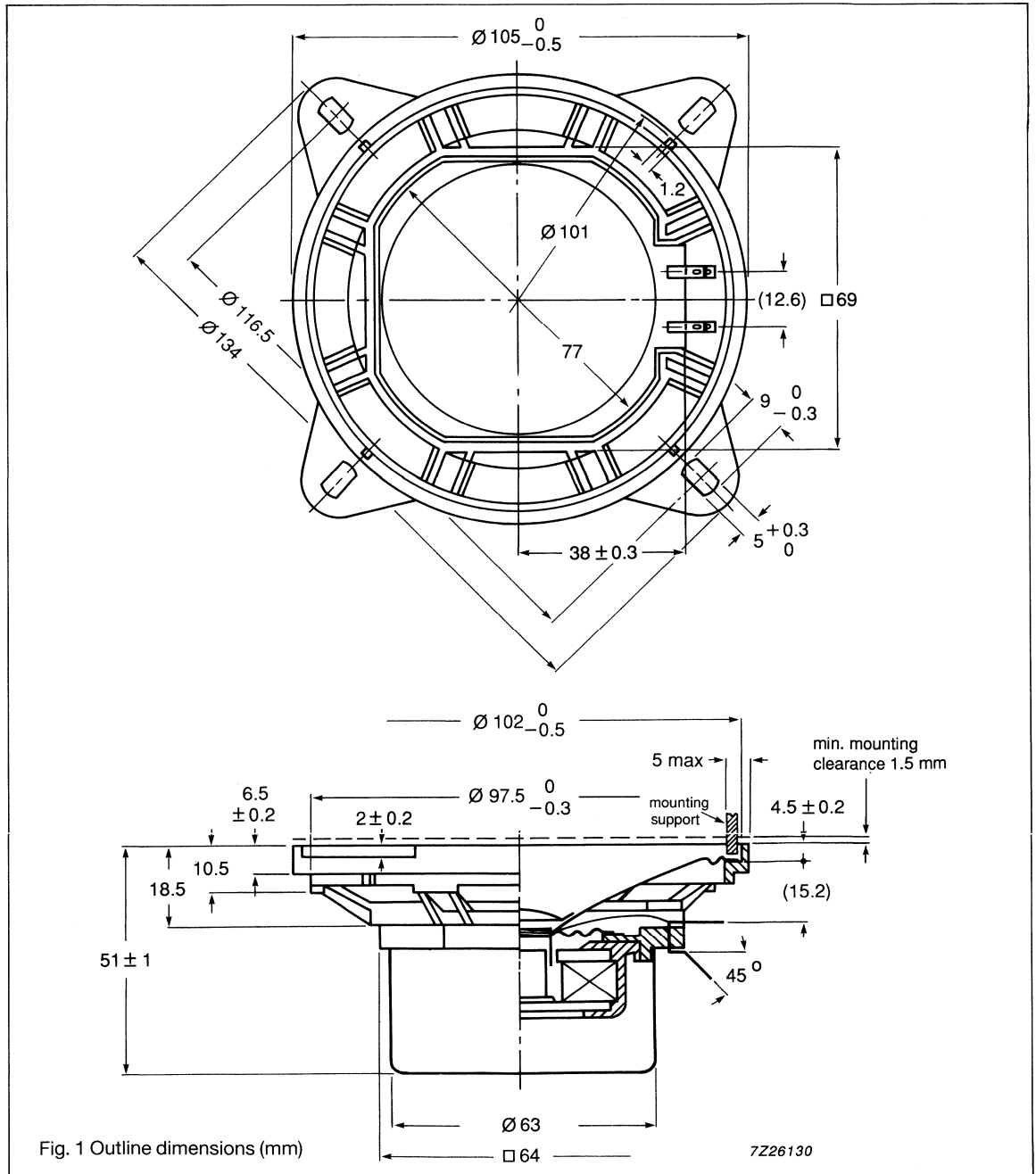
**TECHNICAL DATA**

	version				unit
	X4	X8	X15	X25	
<b>Unmounted</b>					
Rated impedance	4	8	15	25	$\Omega$
Voice coil resistance	3.6	7.2	13.5	22.5	$\Omega$
Resonance frequency	150	150	150	150	Hz
Sweep voltage	3.74	5.29	7.24	9.35	V
Magnetic flux density	1.02	1.02	1.02	1.02	T
Loudspeaker mass	160	160	160	160	g
<b>Mounted</b>					
Characteristic sensitivity		90			dB/W/m
Maximum noise power		7.0			W

4" Full Range Round Loudspeaker

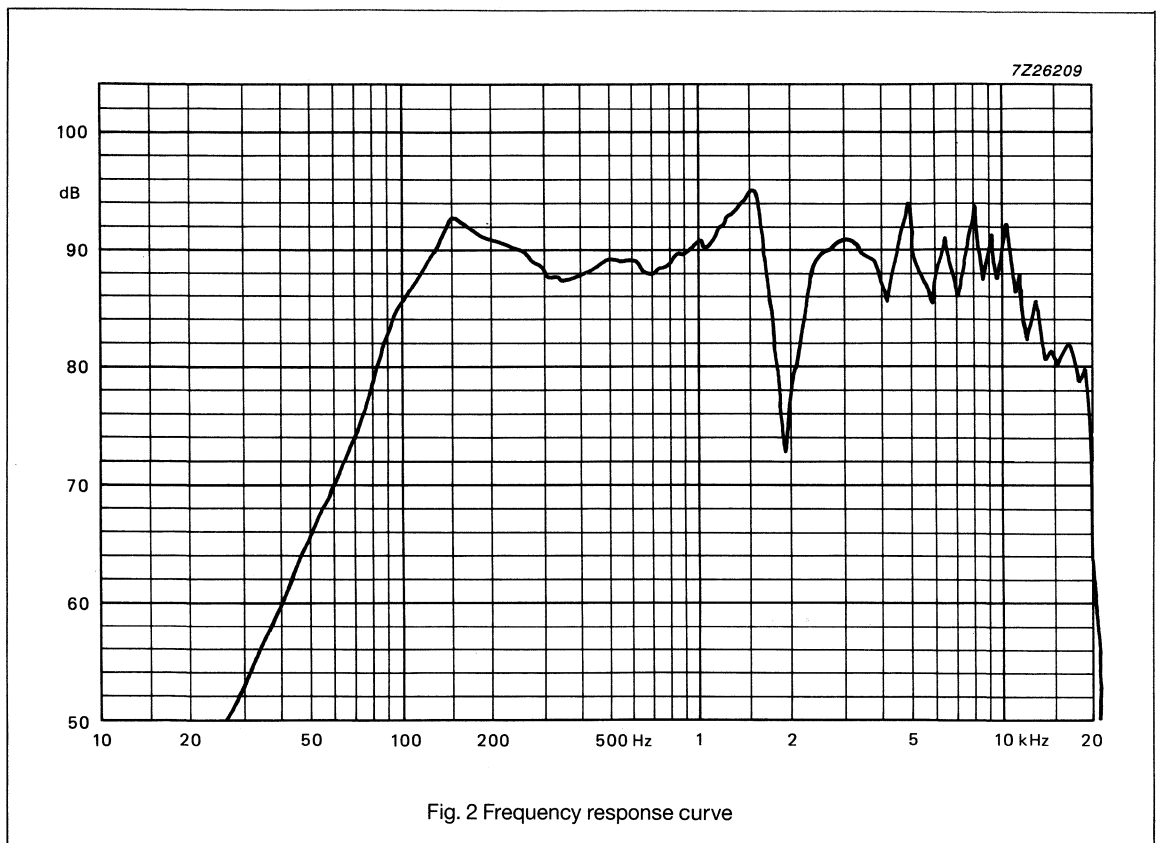
WD 44945 series

MECHANICAL DATA



**4" Full Range Round Loudspeaker****WD 44945 series****FREQUENCY RESPONSE CURVES**

Frequency response curves have been measured on an axis at a distance of 1 m with 1 W input power.



Catalogue number: 2403 253 00901  
2403 253 00902  
2403 253 00903  
2403 253 00904

## Philips Components

Data sheet	
status	Product specification
date of issue	May 1990

# WD 40965 series

## 4" Full Range Round Loudspeaker

### APPLICATION

Full range loudspeaker for video applications.

### DESCRIPTION

• Frame	material: plastic finish: none
• Membrane	colour: black
• Suspension	material: paper
• Dust cap	material: plastic colour: black
• Gasket	none

### TECHNICAL DATA

	version				unit
	X4	X8	X15	X25	
<b>Unmounted</b>					
Rated impedance	4	8	15	25	$\Omega$
Voice coil resistance	3.6	7.2	13.5	22.5	$\Omega$
Resonance frequency	150	150	150	150	Hz
Sweep voltage	3.74	5.29	7.24	9.35	V
Magnetic flux density	1.02	1.02	1.02	1.02	T
Loudspeaker mass	175	175	175	175	g
<b>Mounted</b>					
Characteristic sensitivity		90			dB/w/m
Maximum noise power		7.0			W



## 4" Full Range Round Loudspeaker

WD 40965 series

## MECHANICAL DATA

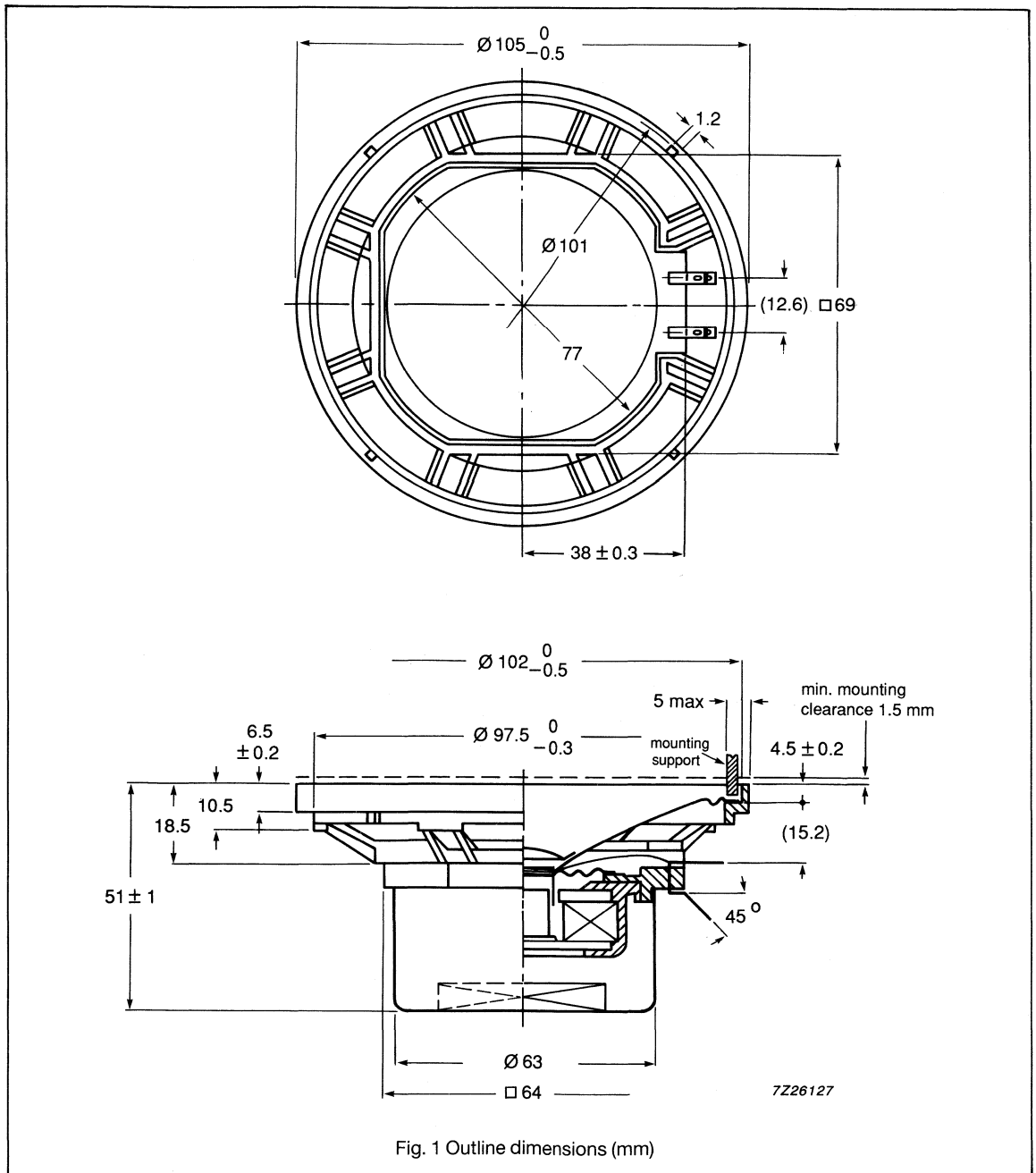


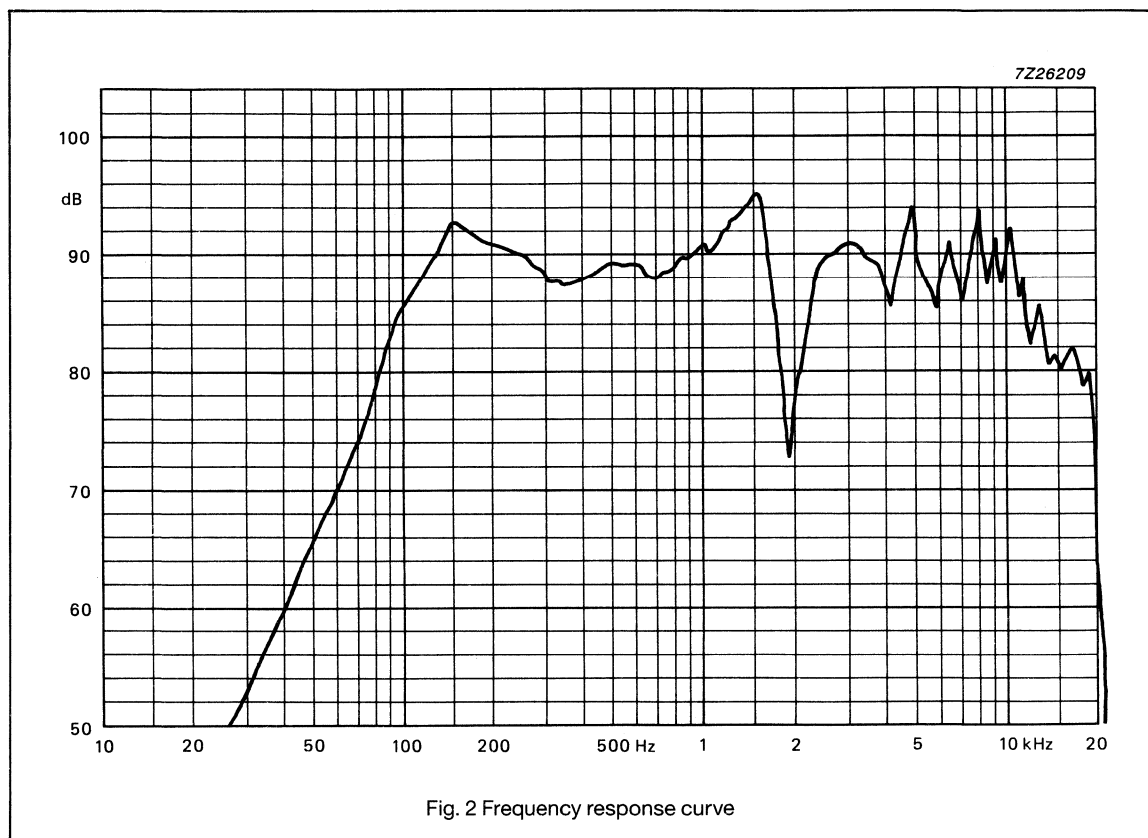
Fig. 1 Outline dimensions (mm)

## 4" Full Range Round Loudspeaker

**WD 40965 series**

### FREQUENCY RESPONSE CURVES

Frequency response curves have been measured on an axis at a distance of 1 m with 1 W input power.



Catalogue number: 2403 253 01001  
2403 253 01002  
2403 253 01003  
2403 253 01004

Data sheet	
status	Product specification
date of issue	May 1990

# WD 44965 series

## 4" Full Range Round Loudspeaker

### APPLICATION

Full range loudspeaker for video applications.

### DESCRIPTION

• Frame	material: plastic finish: none
• Membrane	colour: black
• Suspension	material: paper
• Dust cap	material: plastic colour: black
• Gasket	none

### TECHNICAL DATA

	version				unit
	X4	X8	X15	X25	
<b>Unmounted</b>					
Rated impedance	4	8	15	25	Ω
Voice coil resistance	3.6	7.2	13.5	22.5	Ω
Resonance frequency	150	150	150	150	Hz
Sweep voltage	3.74	5.29	7.24	9.35	V
Magnetic flux density	1.02	1.02	1.02	1.02	T
Loudspeaker mass	175	175	175	175	g
<b>Mounted</b>					
Characteristic sensitivity		90			dB/w/m
Maximum noise power		7.0			W

# 4" Full Range Round Loudspeaker

# WD 44965 series

## MECHANICAL DATA

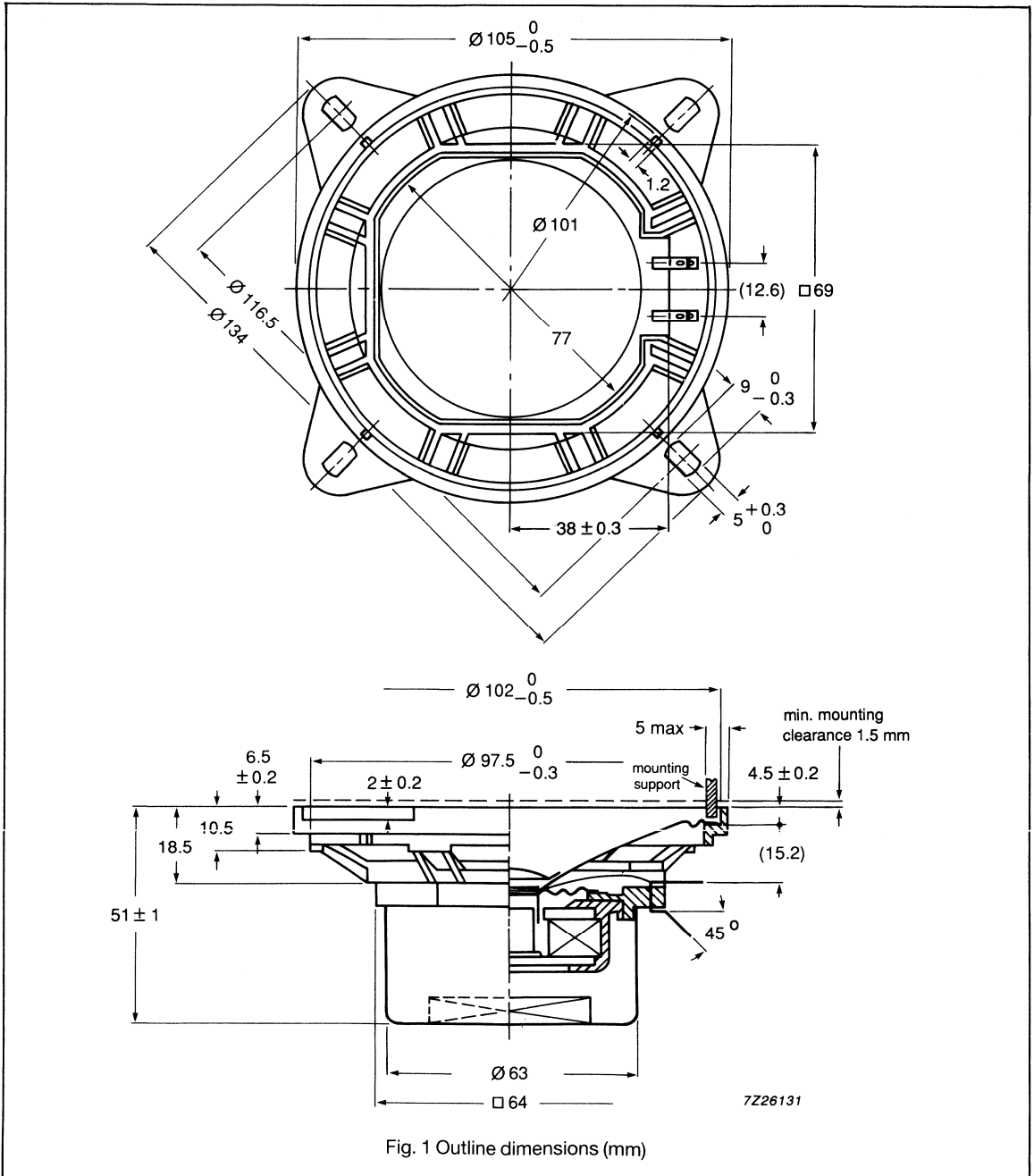
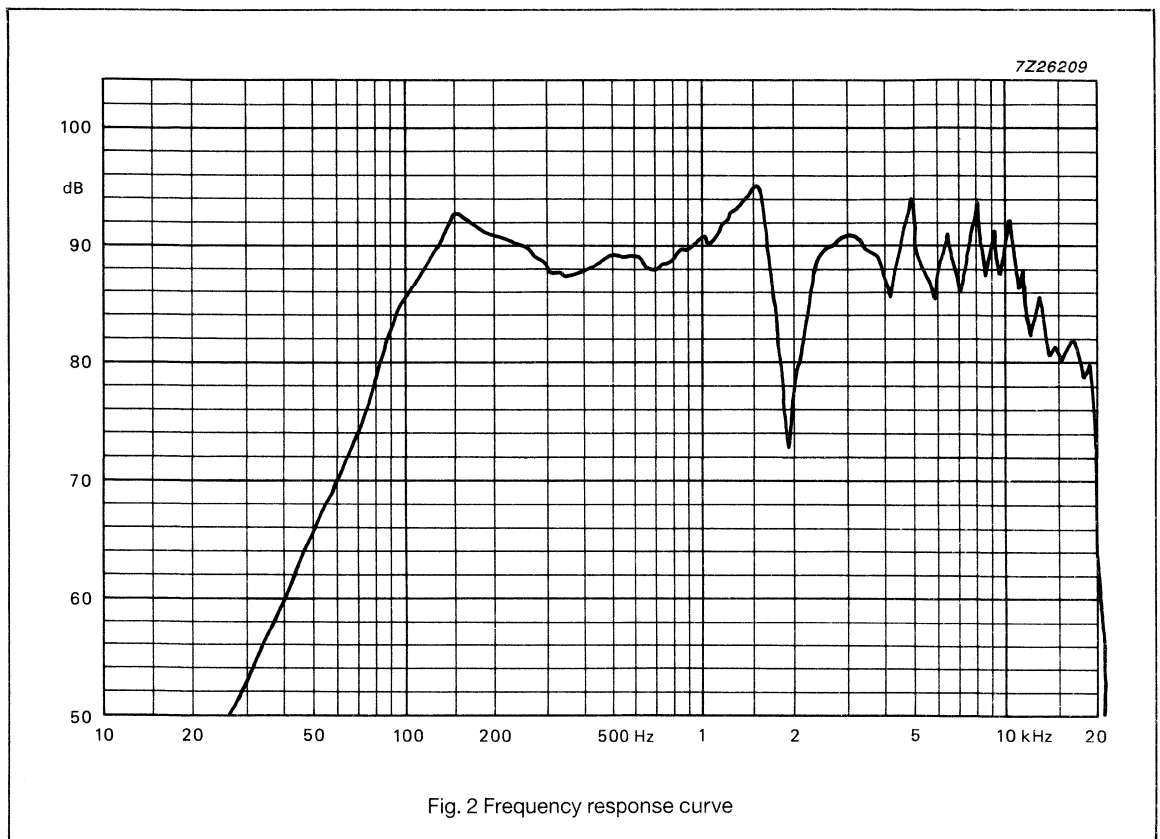


Fig. 1 Outline dimensions (mm)

**4" Full Range Round Loudspeaker****WD 44965 series****FREQUENCY RESPONSE CURVES**

Frequency response curves have been measured on an axis at a distance of 1 m with 1 W input power.



Catalogue number: 2403 253 01101  
2403 253 01102  
2403 253 01103  
2403 253 01104

**Philips Components**

Data sheet	
status	Product specification
date of issue	November 1989

# AD 44900/P series

## 4" Full Range Round Loudspeaker

**APPLICATION**

Full range video loudspeaker.

**DESCRIPTION**

• Frame	material: steel finish: zinc yellow
• Membrane	colour: black
• Suspension	material: textile
• Dust cap	material: mylar colour: silver
• Gasket	none

**TECHNICAL DATA**

	version			unit
	/P4M	/P8M	/P15M	
<b>Unmounted</b>				
Rated impedance	4	8	15	$\Omega$
Voice coil resistance	3.2	7	13.5	$\Omega$
Resonance frequency	110	110	110	Hz
Sweep voltage	4	5.6	7.7	V
Magnetic flux density	1.01	1.01	1.01	T
Loudspeaker mass	350	350	350	g
<b>Mounted</b>				
Characteristic sensitivity		88		dB/W/m
Maximum noise power (PHC)		8.0		W

4" Full Range Round Loudspeaker

AD 44900/P series

MECHANICAL DATA

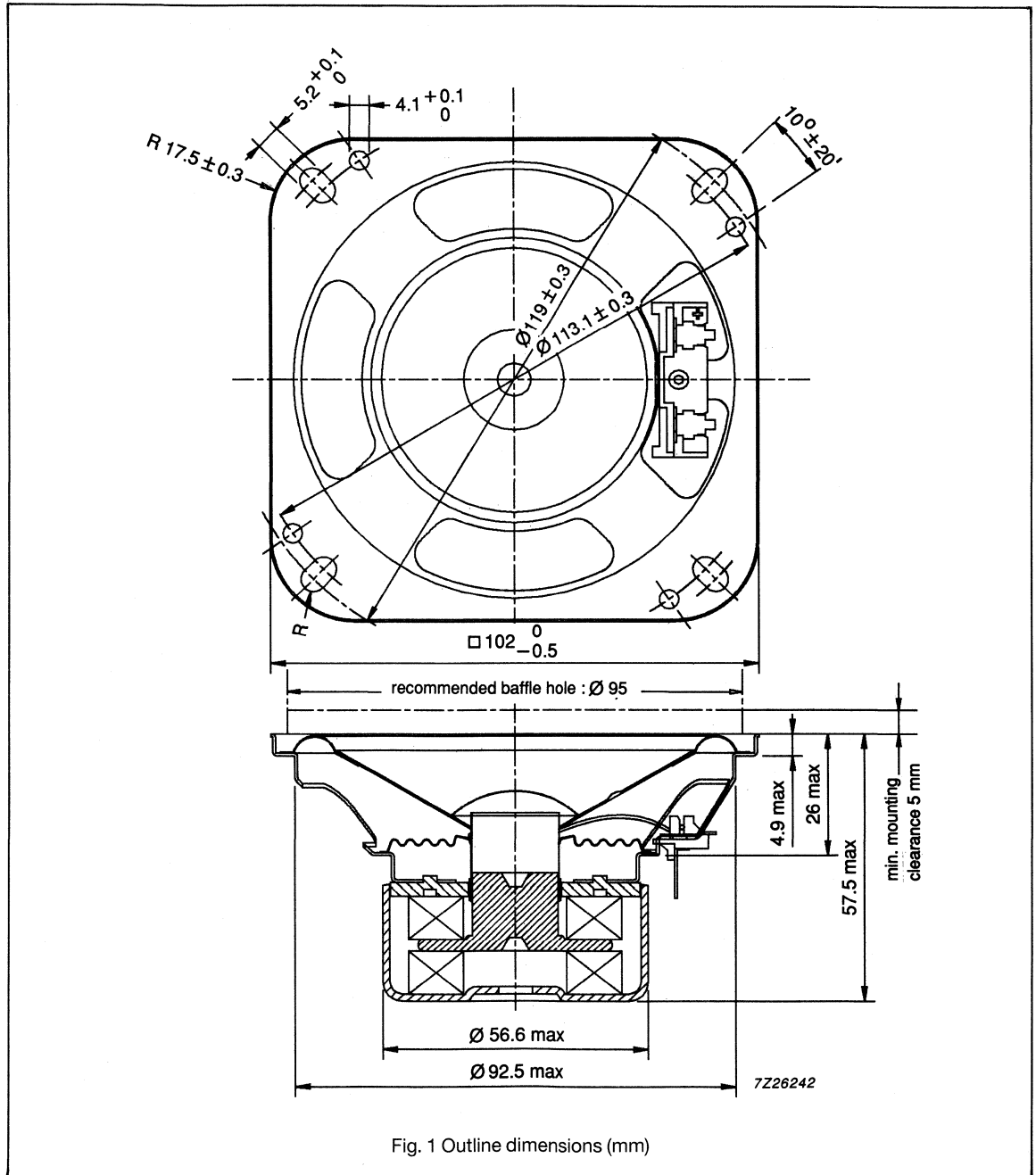
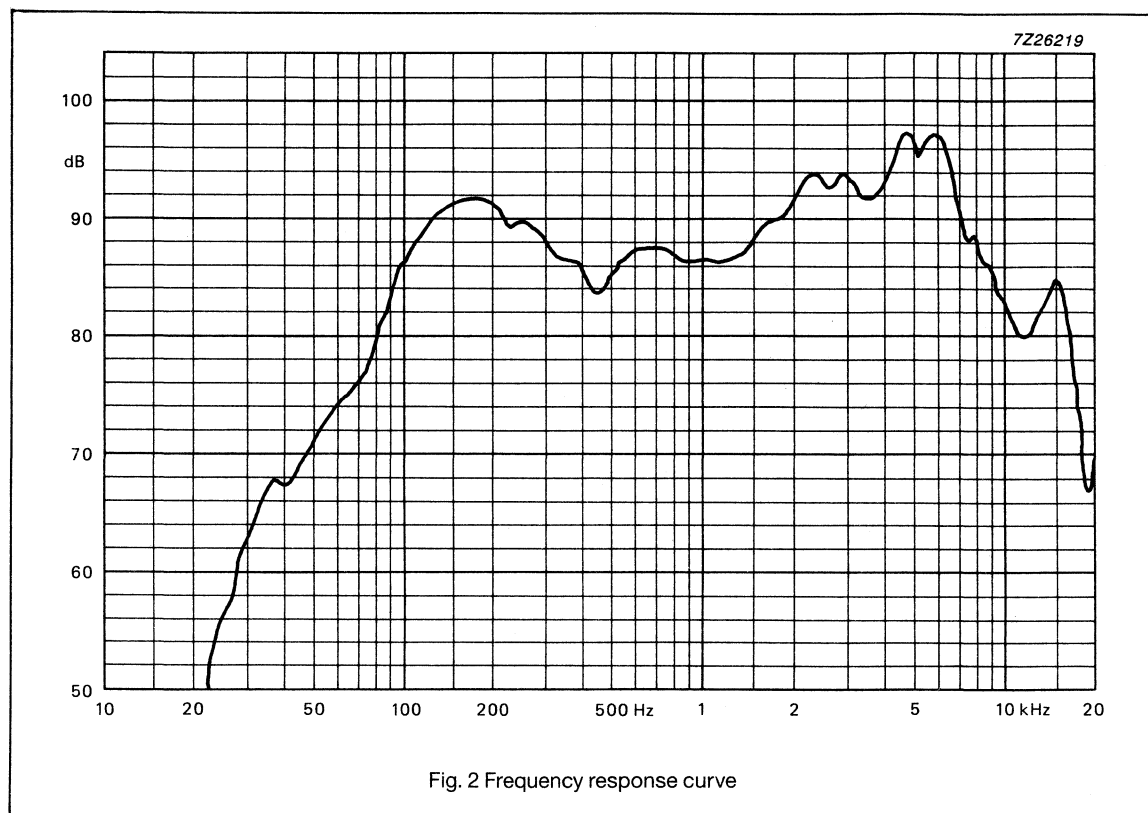


Fig. 1 Outline dimensions (mm)

**4" Full Range Round Loudspeaker****AD 44900/P series****FREQUENCY RESPONSE CURVES**

Frequency response curves have been measured on an axis at a distance of 1 m with 1 W input power.



Catalogue number: 2422 257 44305  
2422 257 44306  
2422 257 44307



Data sheet	
status	Product specification
date of issue	May 1990

# AD 44900/X series

## 4" Full Range Round Loudspeaker

**APPLICATION**

Full range video loudspeaker.

**DESCRIPTION**

• Frame	material: steel finish: zinc yellow
• Membrane	colour: black
• Suspension	material: foam
• Dust cap	material: paper colour: black
• Gasket	none

**TECHNICAL DATA**

	version			unit
	/X4	/X8	/X15	
<b>Unmounted</b>				
Rated impedance	4	8	15	Ω
Voice coil resistance	3.2	7	13.5	Ω
Resonance frequency	100	100	100	Hz
Sweep voltage	4	5.6	7.7	V
Magnetic flux density	1.01	1.01	1.01	T
Loudspeaker mass	350	350	350	g
<b>Mounted</b>				
Characteristic sensitivity	88			dB/W/m
Maximum noise power (PHC)	8.0			W

4" Full Range Round Loudspeaker

AD 44900/X series

MECHANICAL DATA

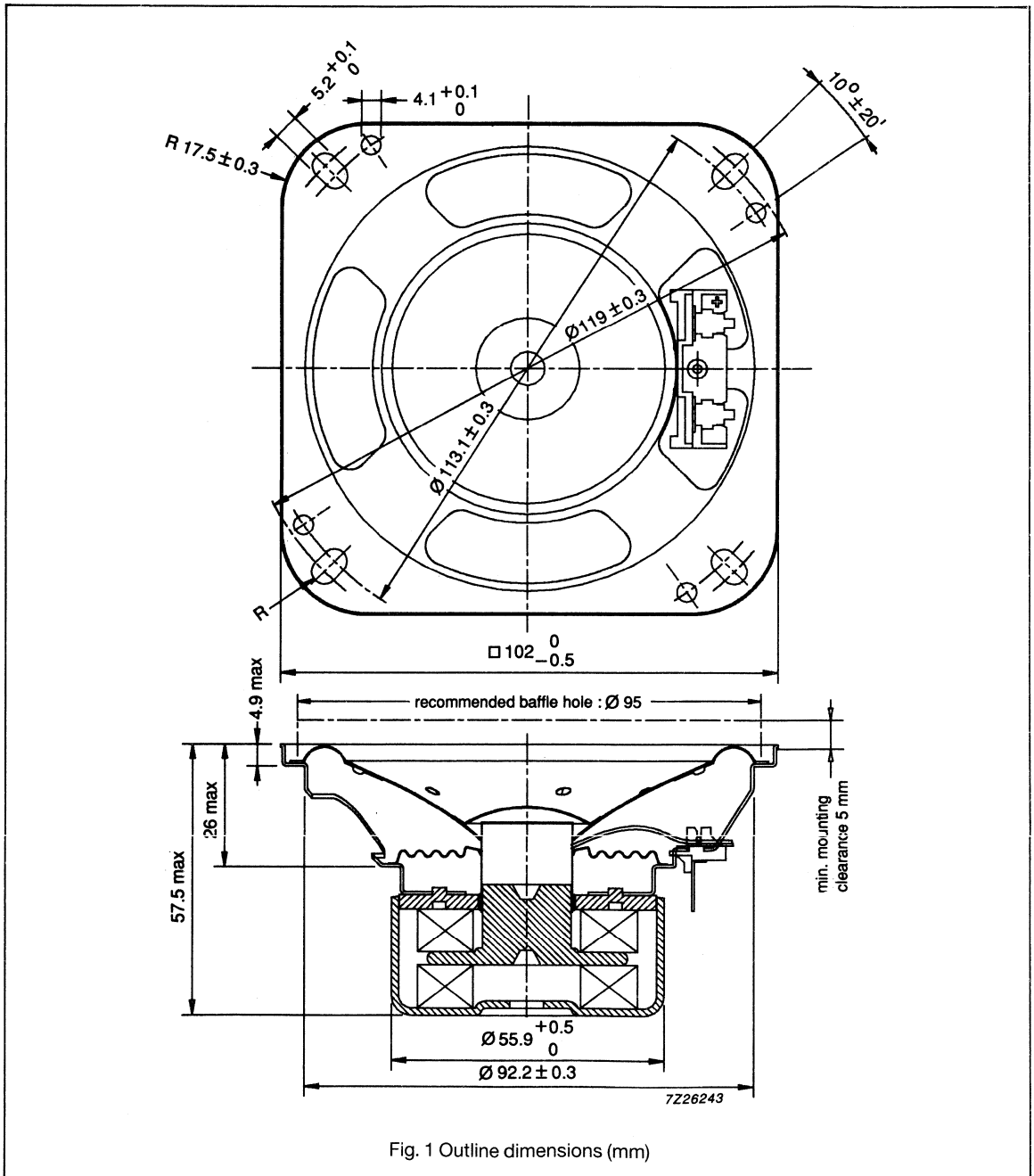
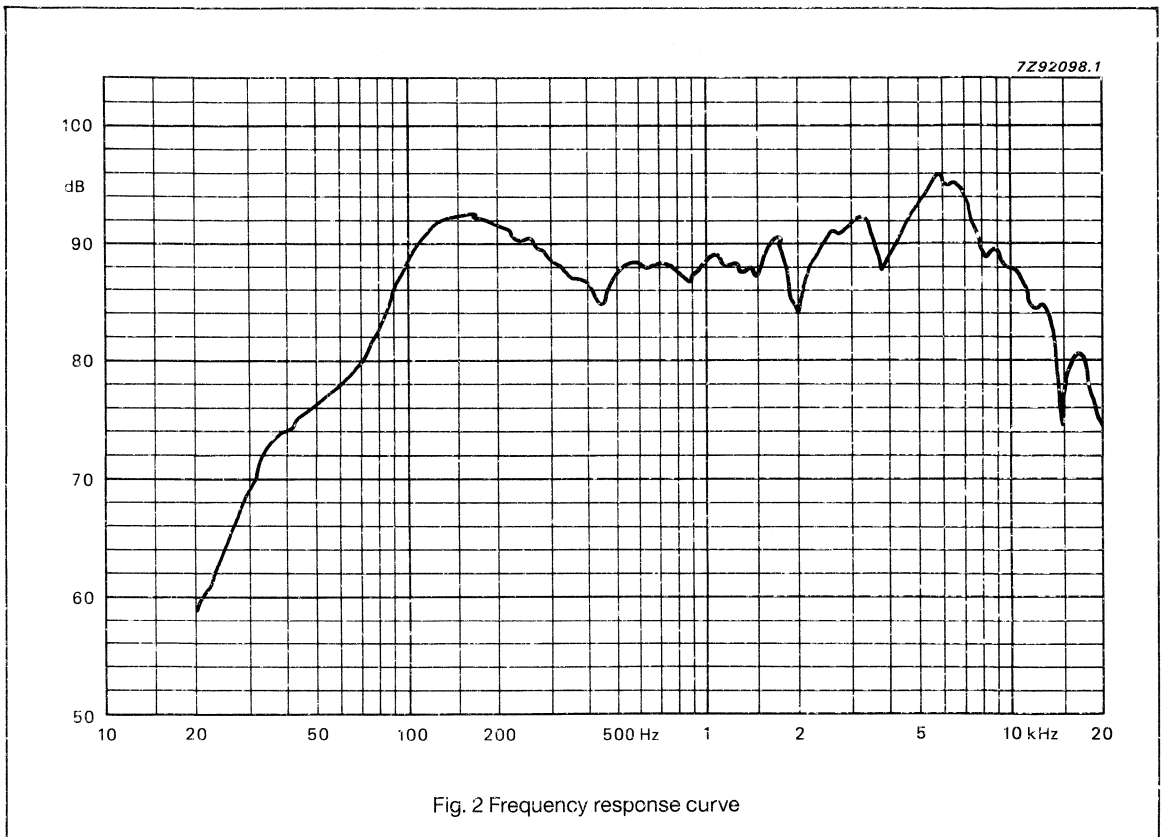


Fig. 1 Outline dimensions (mm)

**4" Full Range Round Loudspeaker****AD 44900/X series****FREQUENCY RESPONSE CURVES**

Frequency response curves have been measured on an axis at a distance of 1 m with 1 W input power.



Catalogue number: 2422 257 44201

2422 257 44202

2422 257 44203

## Philips Components

Data sheet	
status	Product specification
date of issue	May 1990

# AD 44400/M4K

## 4" Full Range Round Loudspeaker

### APPLICATION

Full range audio loudspeaker.

### DESCRIPTION

• Frame	material: steel finish: zinc black
• Membrane	colour: black
• Suspension	material: textile
• Double cone*	material: paper colour: black
• Gasket	none

\*also called 'Whizzer'

### TECHNICAL DATA

<b>Unmounted</b>		
Rated impedance	4	$\Omega$
Voice coil resistance	3.2	$\Omega$
Resonance frequency	110	Hz
Sweep voltage	5.5	V
Magnetic flux density	1.15	T
Loudspeaker mass	350	g
<b>Mounted</b>		
Characteristic sensitivity	90	dB/W/m
Maximum noise power (PHC)	15.0	W

4" Full Range Round Loudspeaker

AD 44400/M4K

MECHANICAL DATA

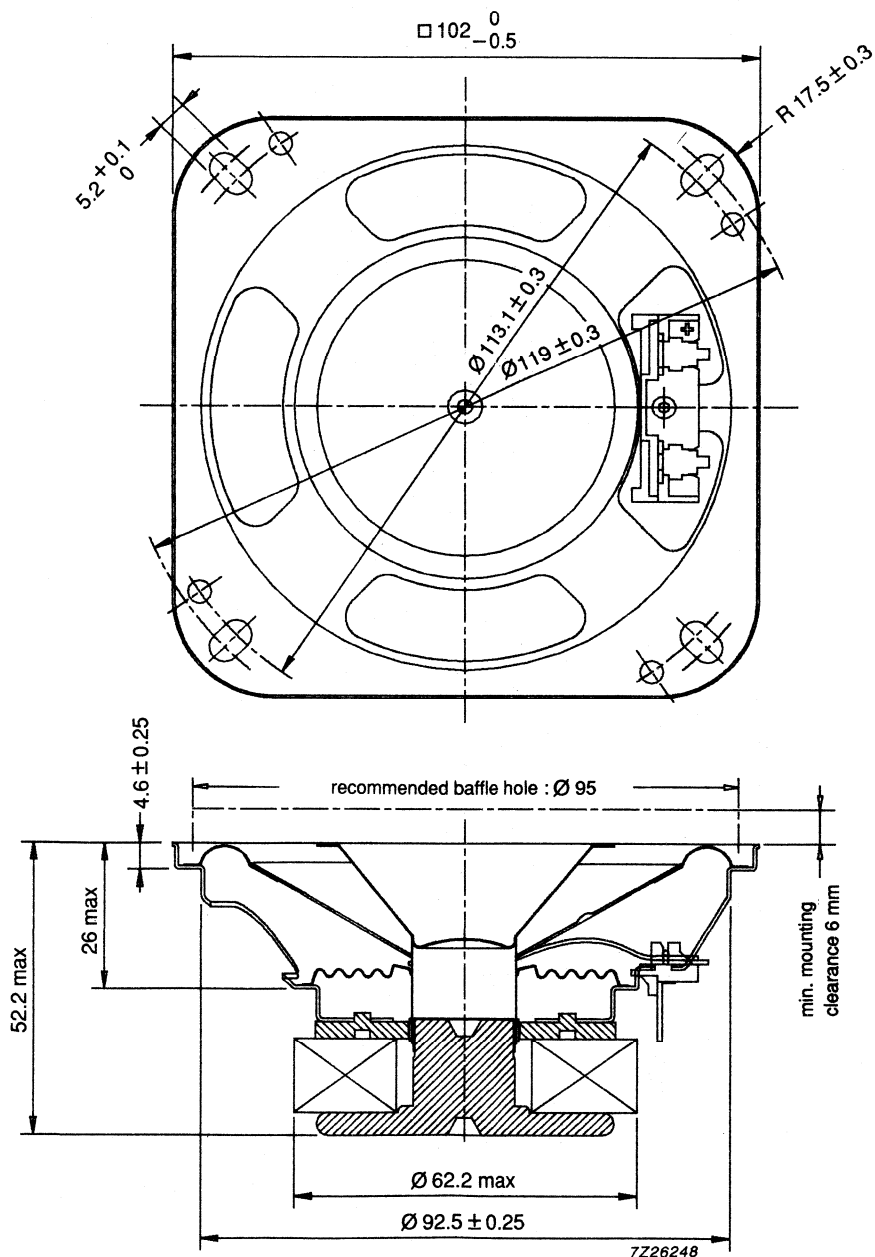
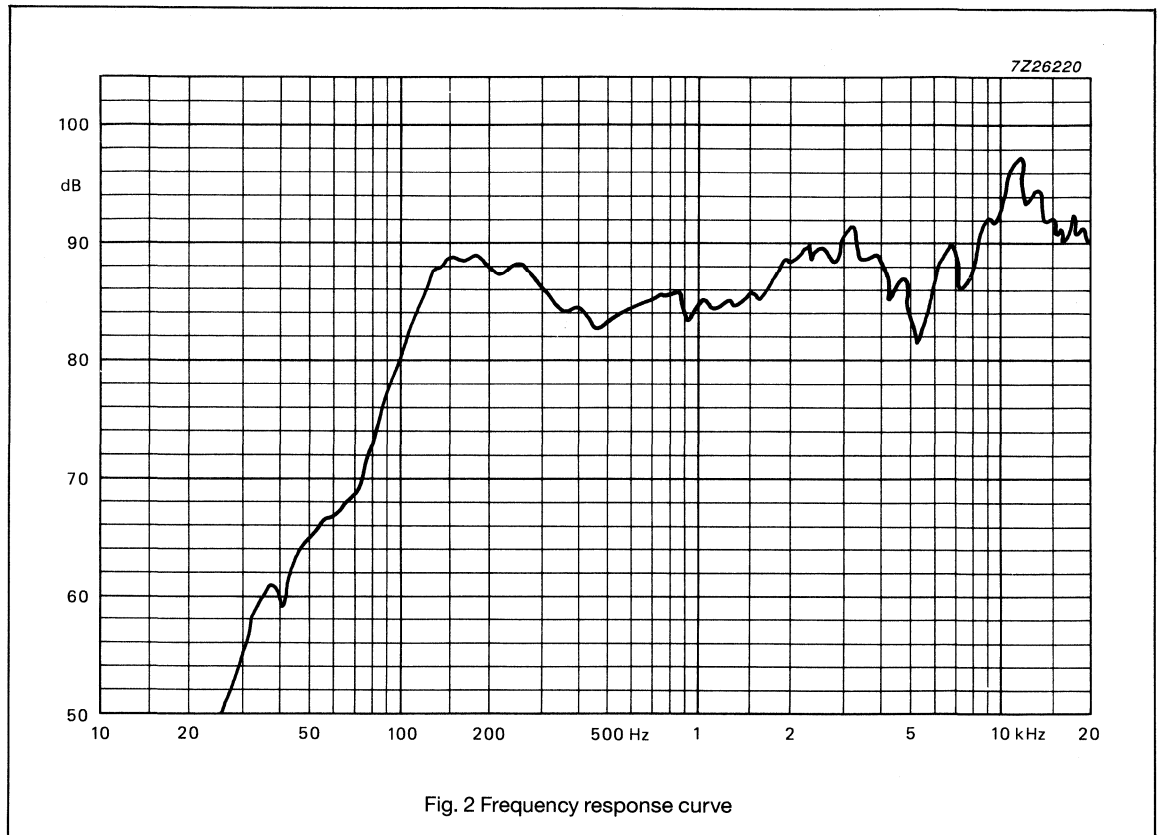


Fig. 1 Outline dimensions (mm)

**5" Full Range Round Loudspeaker****AD 44400/M4K****FREQUENCY RESPONSE CURVES**

Frequency response curves have been measured on an axis at a distance of 1 m with 1 W input power.



Catalogue number: 2422 257 44101

Data sheet	
status	Product specification
date of issue	May 1990

# 00 44401/X4

## 4" Full Range Round Loudspeaker

**APPLICATION**

Full range audio loudspeaker.

**DESCRIPTION**

• Frame	material: steel finish: zinc black
• Membrane	colour: black
• Suspension	material: foam
• Dust cap	material: paper colour: grey
• Gasket	none

**TECHNICAL DATA**

<b>Unmounted</b>		
Rated impedance	4	$\Omega$
Voice coil resistance	3.2	$\Omega$
Resonance frequency	85	Hz
Sweep voltage	5.5	V
Magnetic flux density	1.15	T
Loudspeaker mass	350	g
<b>Mounted</b>		
Characteristic sensitivity	90	dB/W/m
Maximum noise power (PHC)	12.0	W

# 4" Full Range Round Loudspeaker

00 44401/X4

## MECHANICAL DATA

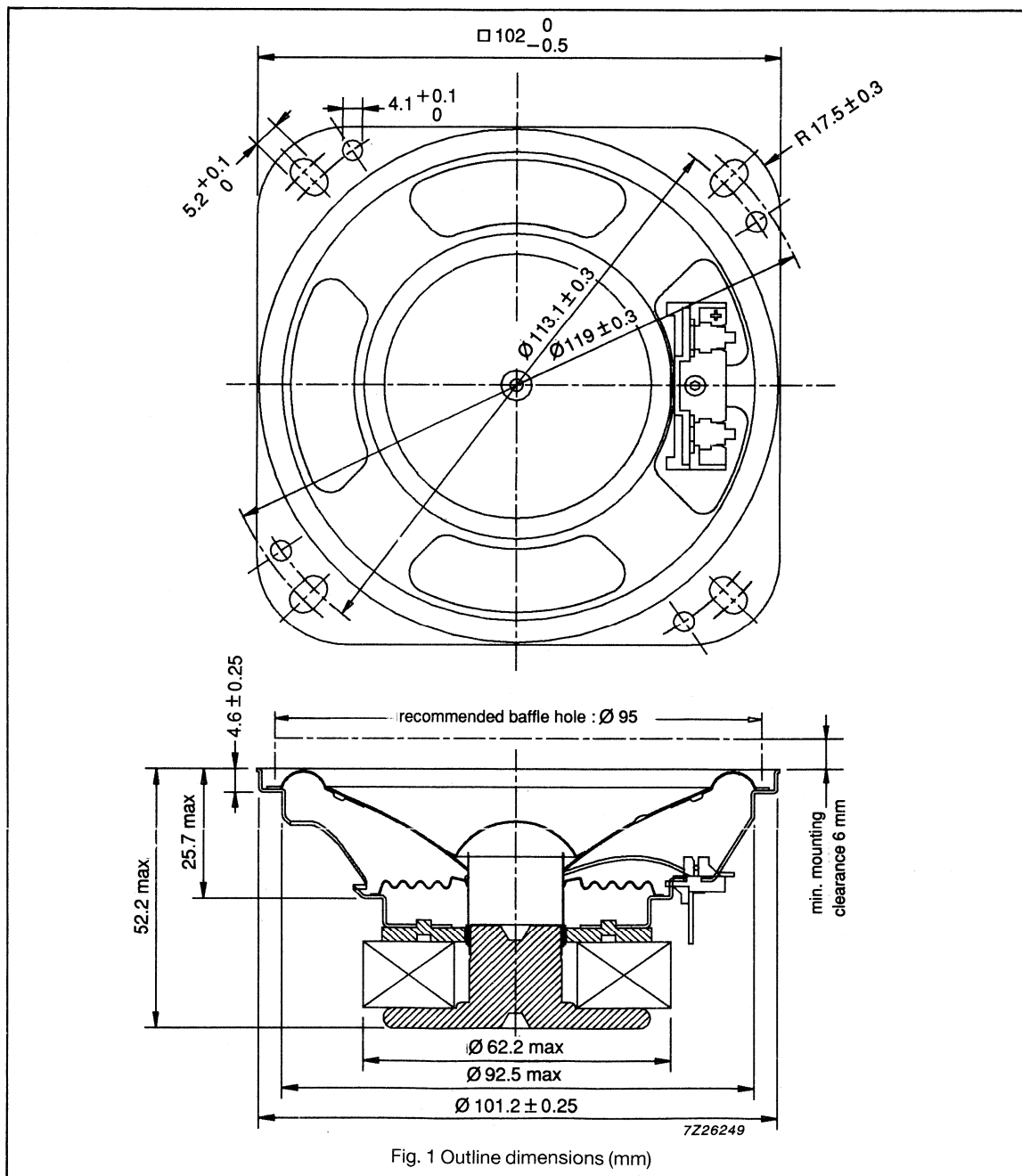
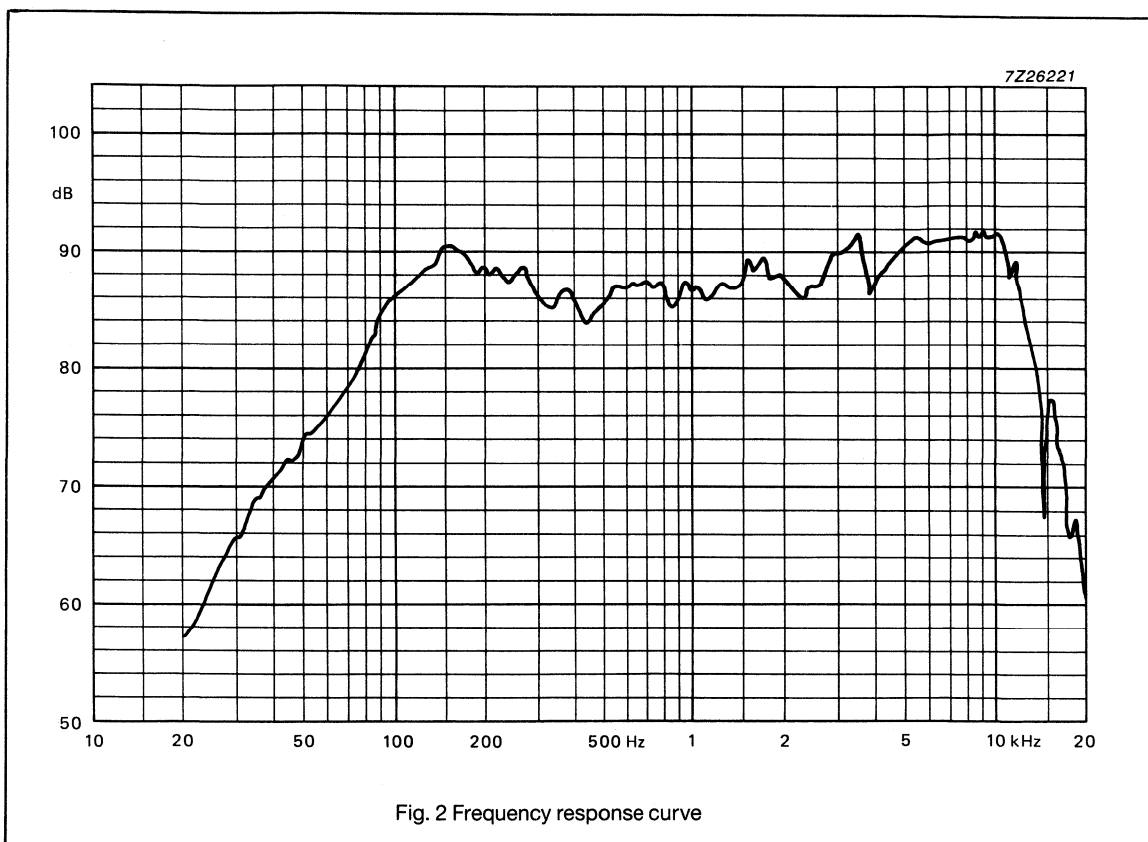


Fig. 1 Outline dimensions (mm)



**4" Full Range Round Loudspeaker****AD 44401/X4****FREQUENCY RESPONSE CURVES**

Frequency response curves have been measured on an axis at a distance of 1 m with 1 W input power.



Catalogue number: 2404 257 44104

**Philips Components**

Data sheet	
status	Product specification
date of issue	May 1990

# AD 50800 series

## 5" Full Range Round Loudspeaker

**APPLICATION**

Full range audio loudspeaker.

**DESCRIPTION**

• Frame	material: steel finish: zinc yellow
• Membrane	colour: black
• Suspension	material: paper
• Dust cap	material: paper colour: black
• Gasket	material: foam position: front

**TECHNICAL DATA**

	version		unit
	/M4	/M8	
<b>Unmounted</b>			
Rated impedance	4	8	$\Omega$
Voice coil resistance	3.2	7	$\Omega$
Resonance frequency		140	Hz
Sweep voltage	4.0	4.9	V
Magnetic flux density		1.0	T
Loudspeaker mass		260	g
<b>Mounted</b>			
Characteristic sensitivity		91.0	dB/W/m
Maximum noise power (PHC)		6.0	W

5" Full Range Round Loudspeaker

AD 50800 series

MECHANICAL DATA

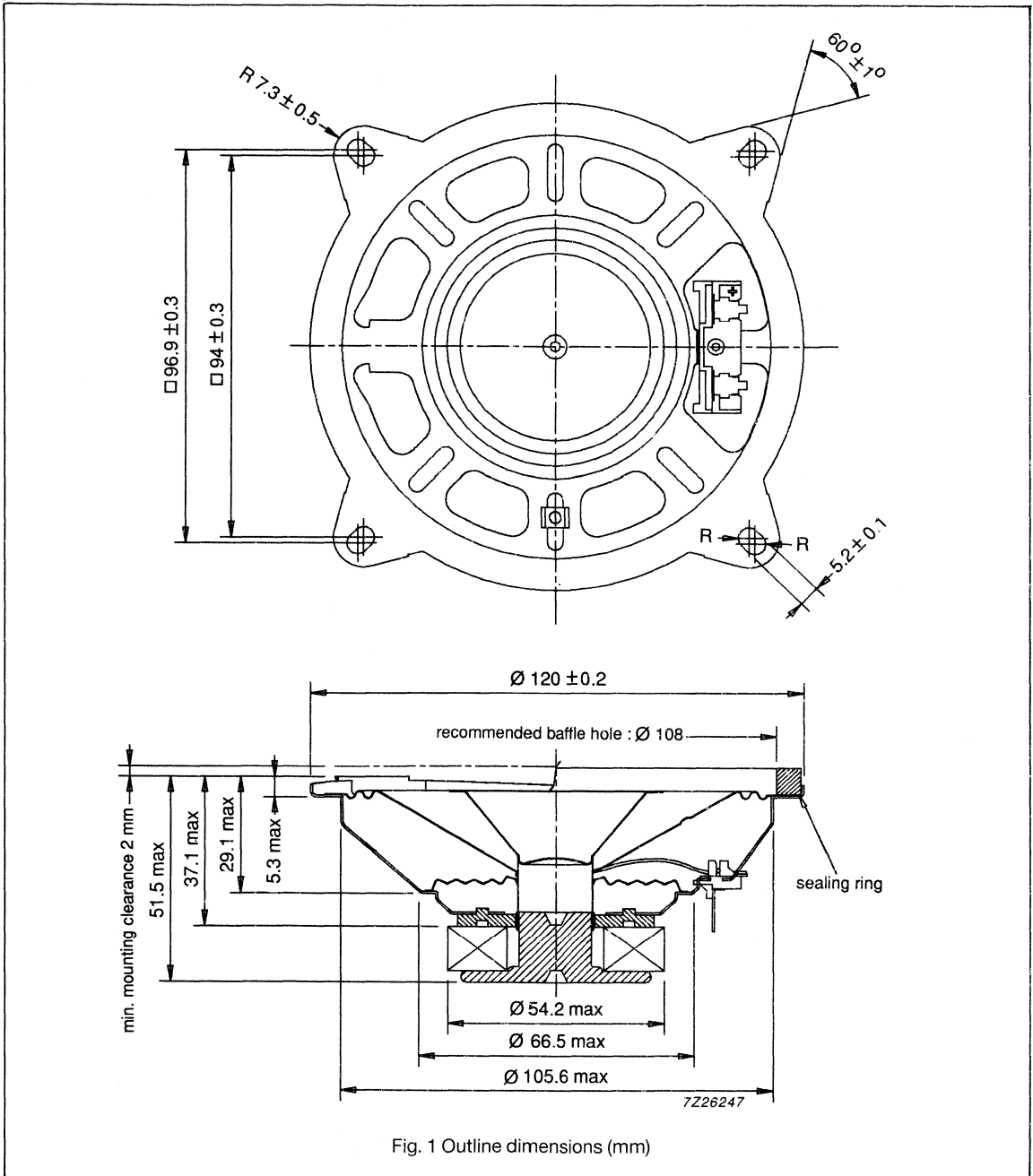


Fig. 1 Outline dimensions (mm)

**5" Full Range Round Loudspeaker****AD 50800 series****FREQUENCY RESPONSE CURVES**

Frequency response curves have been measured on an axis at a distance of 1 m with 1 W input power.



Catalogue number: 2422 257 25105  
2422 257 25106

**Philips Components**

<b>Data sheet</b>	
<b>status</b>	Product specification
<b>date of issue</b>	May 1990

# AD 50410/M4K

## 5" Full Range Round Loudspeaker

**APPLICATION**

Full range audio loudspeaker.

**DESCRIPTION**

• Frame	material: steel finish: zinc black
• Membrane	colour: black
• Suspension	material: textile
• Dust cap	material: paper colour: black
• Gasket	material: foam position: front and rear

**TECHNICAL DATA**

<b>Unmounted</b>		
Rated impedance	4	$\Omega$
Voice coil resistance	3.2	$\Omega$
Resonance frequency	108	Hz
Sweep voltage	5.5	V
Magnetic flux density	1.15	T
Loudspeaker mass	320	g
<b>Mounted</b>		
Characteristic sensitivity	91	dB/W/m
Maximum noise power (PHC)	15.0	W

5" Full Range Round Loudspeaker

AD 50410/M4K

MECHANICAL DATA

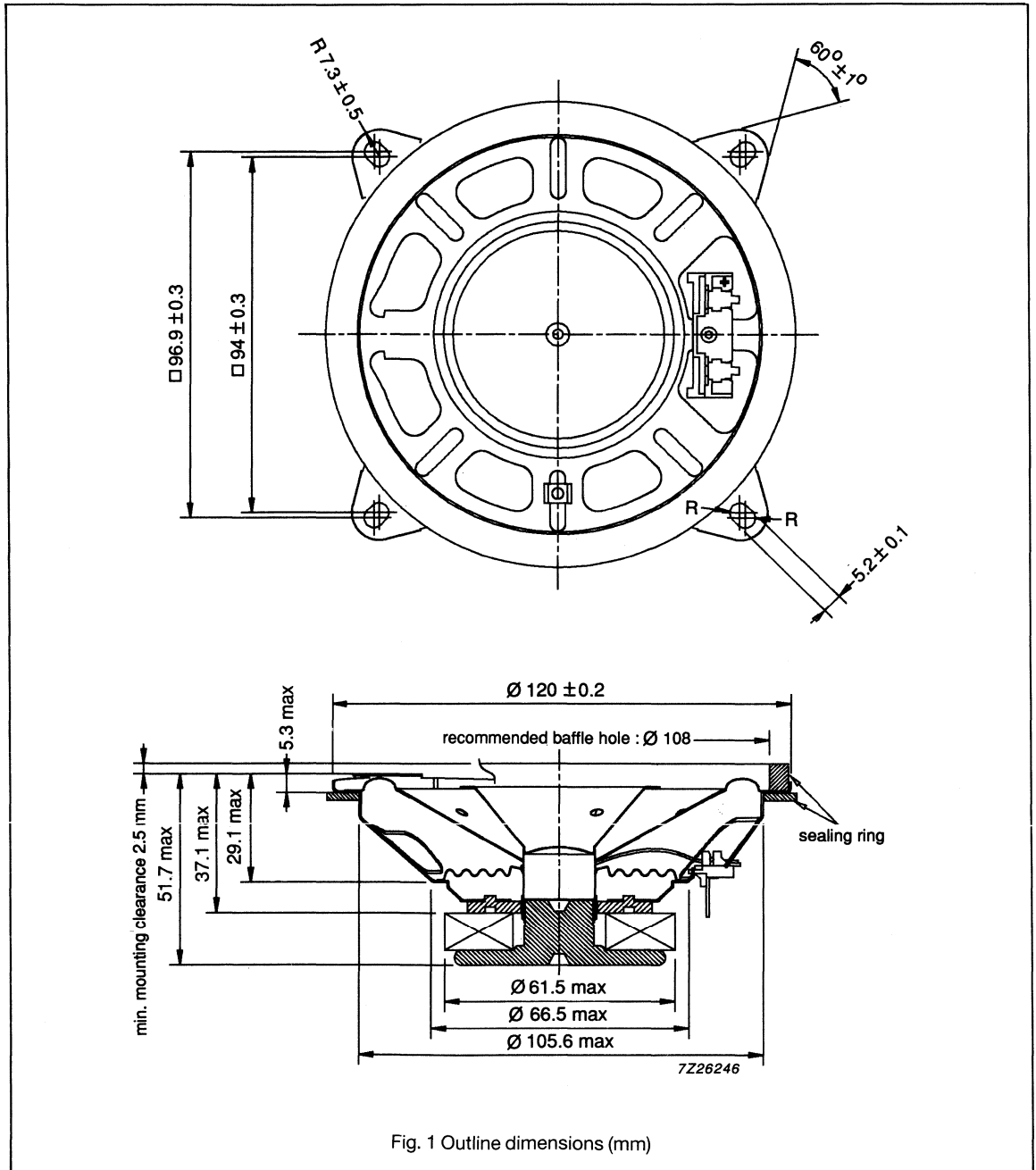
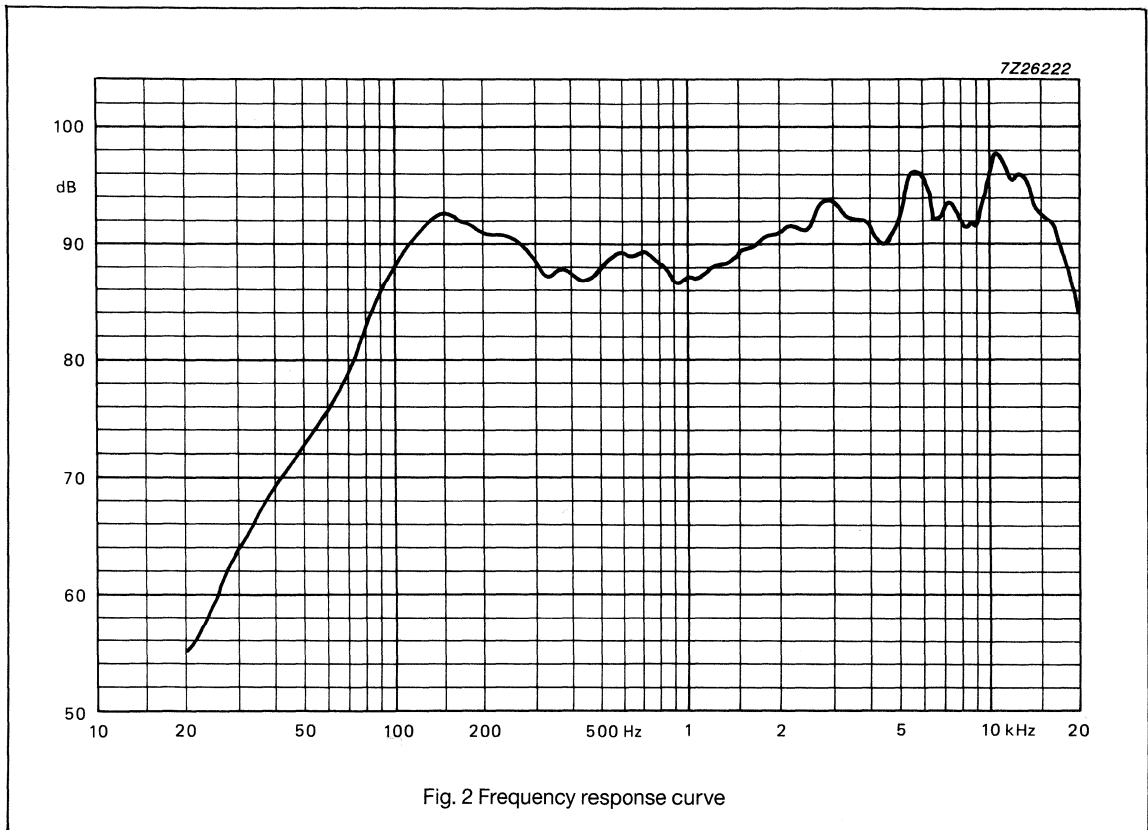


Fig. 1 Outline dimensions (mm)

**5" Full Range Round Loudspeaker****AD 50410/M4K****FREQUENCY RESPONSE CURVES**

Frequency response curves have been measured on an axis at a distance of 1 m with 1 W input power.



Catalogue number: 2422 257 45311

**Philips Components**

Data sheet	
status	Product specification
date of issue	May 1990

# WD 50720 series

## 5 1/4" Full Range Round Loudspeaker

**APPLICATION**

Full range loudspeaker for audio applications.

**DESCRIPTION**

• Frame	material: plastic finish: none
• Membrane	colour: black
• Suspension	material: paper
• Dust cap	material: plastic colour: black
• Gasket	none

**TECHNICAL DATA**

	version				unit
	X4	X8	X15	X25	
<b>Unmounted</b>					
Rated impedance	4	8	15	25	$\Omega$
Voice coil resistance	3.6	7.2	13.5	22.5	$\Omega$
Resonance frequency	130	130	130	130	Hz
Sweep voltage	2.44	3.46	4.74	6.12	V
Magnetic flux density	0.74	0.74	0.74	0.74	T
Loudspeaker mass	86	86	86	86	g
<b>Mounted</b>					
Characteristic sensitivity		89			dB/W/m
Maximum noise power		3.0			W



5 1/4" Full Range Round Loudspeaker

WD 50720 series

MECHANICAL DATA

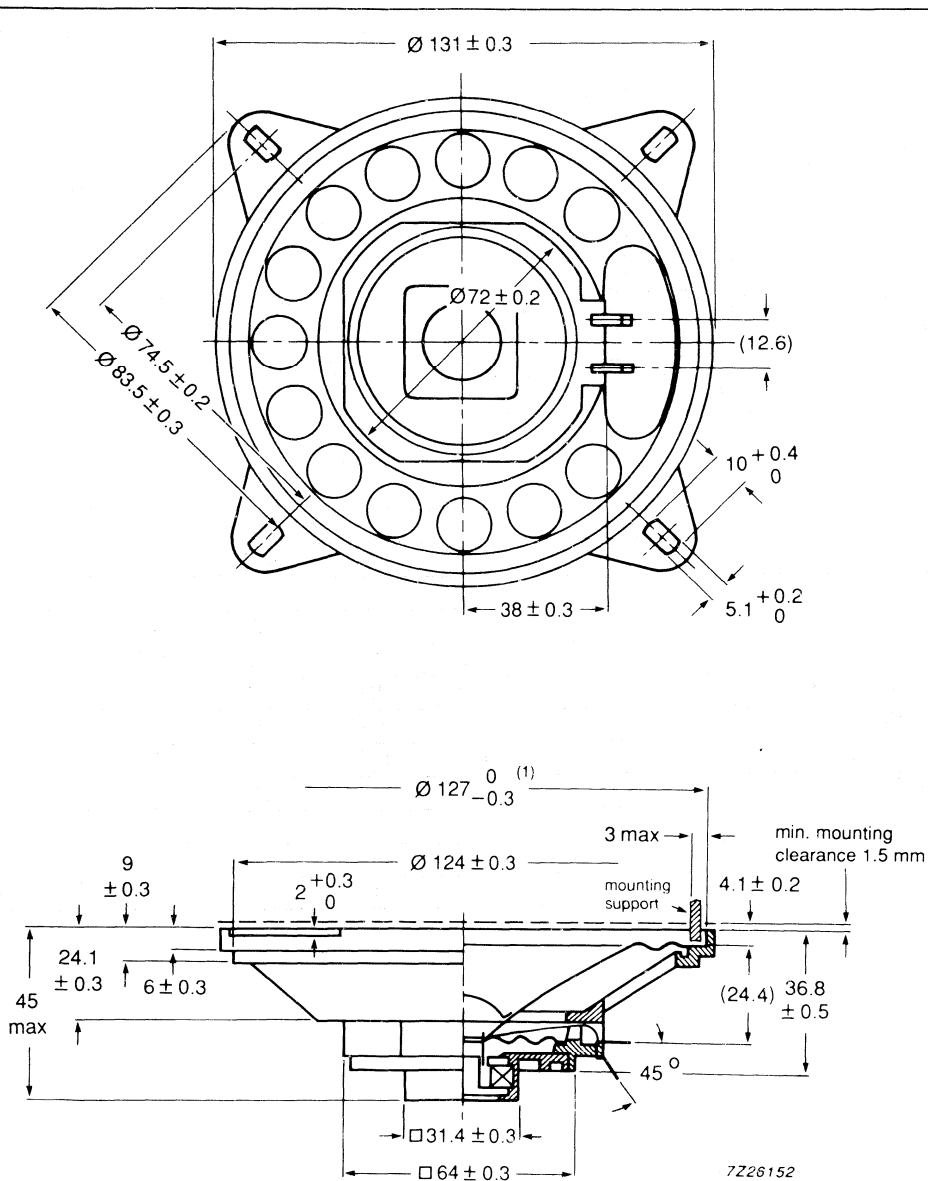


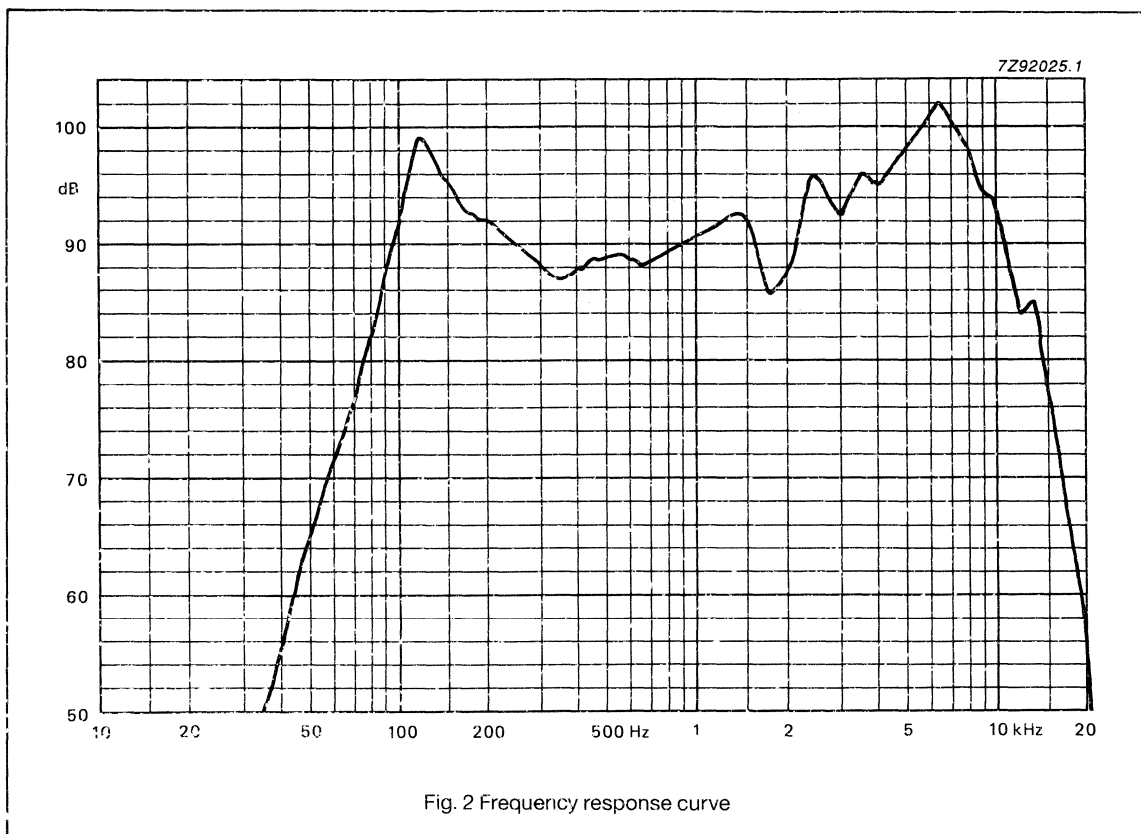
Fig. 1 Outline dimensions (mm)

# 5 1/4" Full Range Round Loudspeaker

# WD 50720 series

## FREQUENCY RESPONSE CURVES

Frequency response curves have been measured on an axis at a distance of 1 m with 1 W input power.



- Catalogue number: 2403 251 10001
- 2403 251 10002
- 2403 251 10003
- 2403 251 10004

Data sheet	
status	Product specification
date of issue	November 1989

# WD 55720 series

## 5 1/4" Full Range Round Loudspeaker

### APPLICATION

Full range loudspeaker for audio applications.

### DESCRIPTION

• Frame	material: plastic finish: none
• Membrane	colour: black
• Suspension	material: paper
• Dust cap	material: plastic colour: black
• Gasket	none

### TECHNICAL DATA

	version				unit
	X4	X8	X15	X25	
<b>Unmounted</b>					
Rated impedance	4	8	15	25	Ω
Voice coil resistance	3.6	7.2	13.5	22.5	Ω
Resonance frequency	130	130	130	130	Hz
Sweep voltage	2.44	3.46	4.74	6.12	V
Magnetic flux density	0.74	0.74	0.74	0.74	T
Loudspeaker mass	86	86	86	86	g
<b>Mounted</b>					
Characteristic sensitivity		89			dB/W/m
Maximum noise power		3.0			W

5 1/4" Full Range Round Loudspeaker

WD 55720 series

MECHANICAL DATA

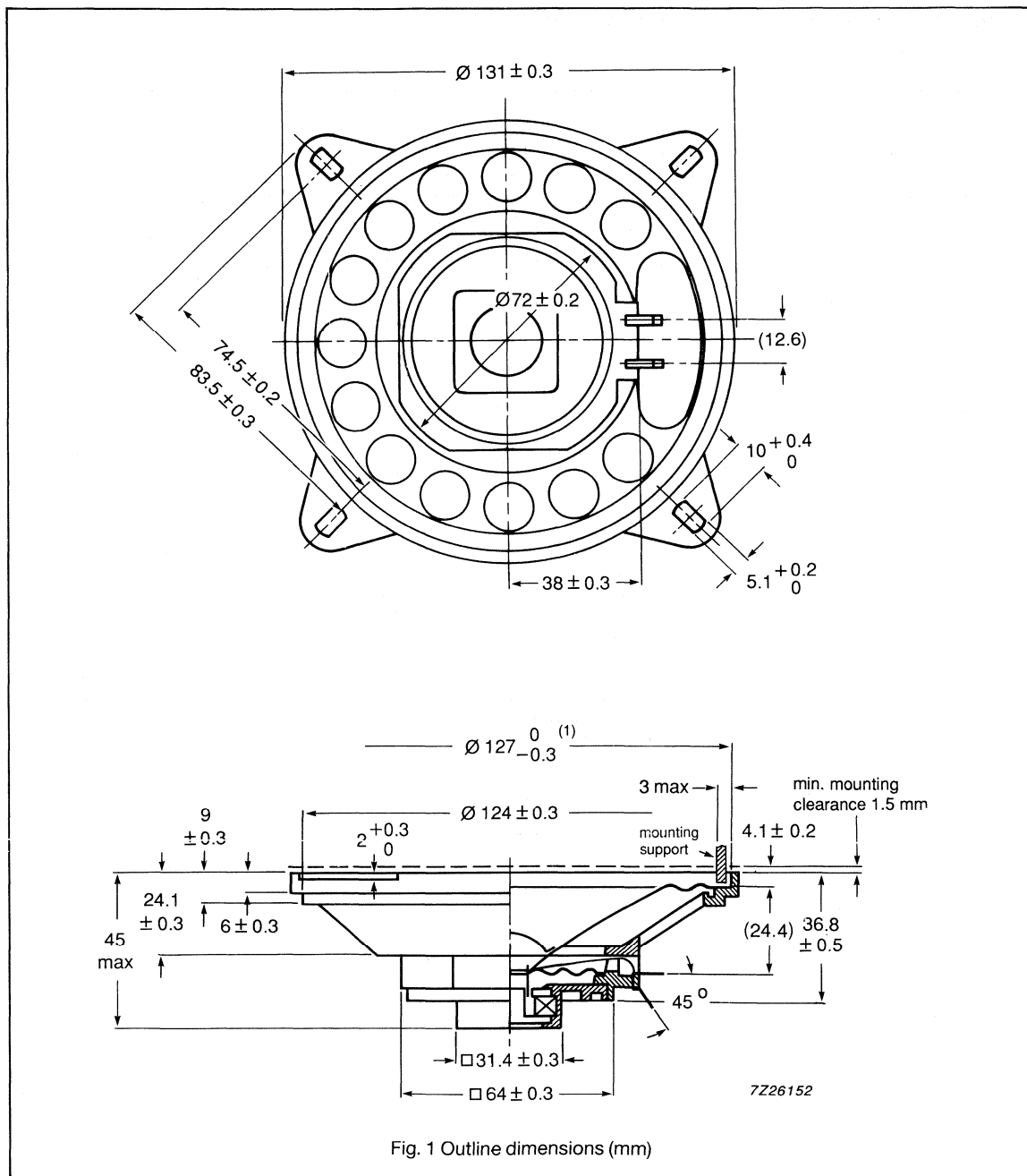
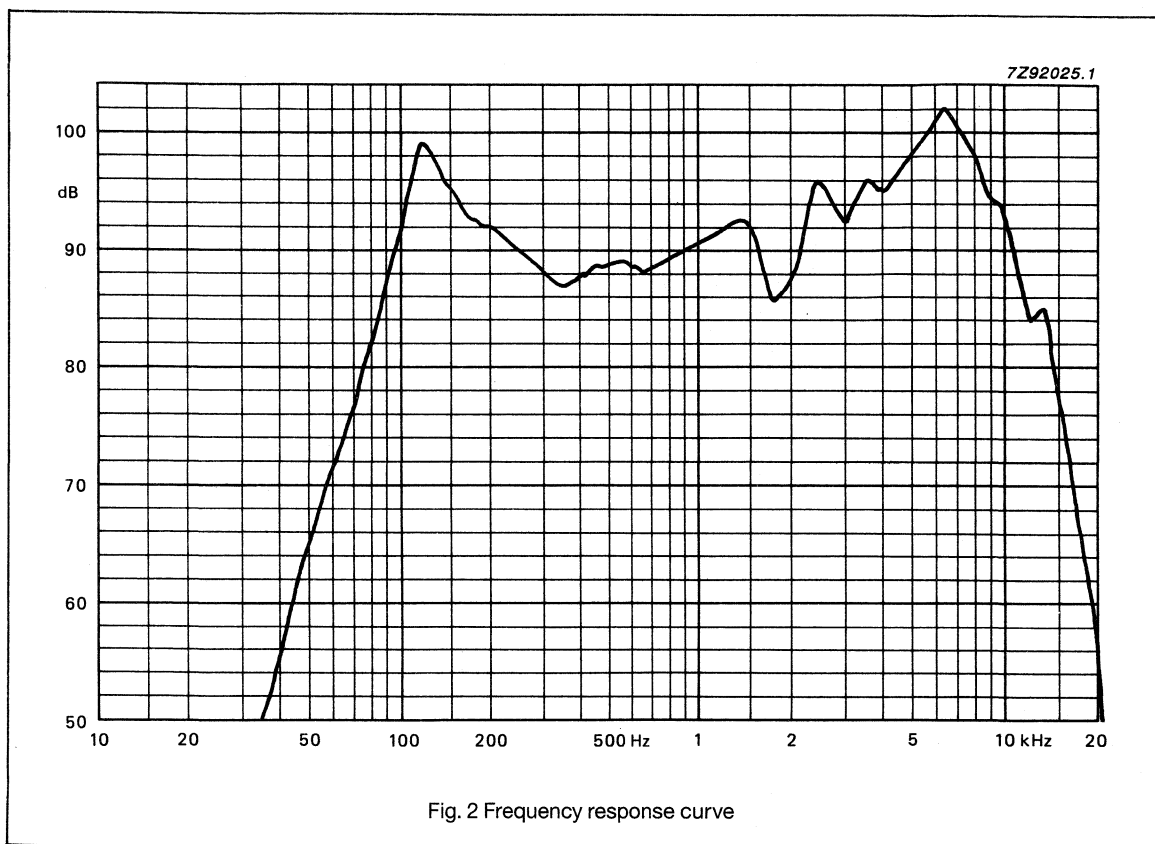


Fig. 1 Outline dimensions (mm)

**5 1/4" Full Range Round Loudspeaker****WD 55720 series****FREQUENCY RESPONSE CURVES**

Frequency response curves have been measured on an axis at a distance of 1 m with 1 W input power.



Catalogue number: 2403 251 10101  
2403 251 10102  
2403 251 10103  
2403 251 10104

Data sheet	
status	Product specification
date of issue	November 1989

# WD 50725 series

## 5 1/4" Full Range Round Loudspeaker

### APPLICATION

Full range loudspeaker for audio applications.

### DESCRIPTION

- |              |                                    |
|--------------|------------------------------------|
| • Frame      | material: plastic<br>finish: none  |
| • Membrane   | colour: black                      |
| • Suspension | material: paper                    |
| • Dust cap   | material: plastic<br>colour: black |
| • Gasket     | none                               |

### TECHNICAL DATA

	version				unit
	X4	X8	X15	X25	
<b>Unmounted</b>					
Rated impedance	4	8	15	25	Ω
Voice coil resistance	3.6	7.2	13.5	22.5	Ω
Resonance frequency	130	130	130	130	Hz
Sweep voltage	3.16	4.47	6.12	7.9	V
Magnetic flux density	0.74	0.74	0.74	0.74	T
Loudspeaker mass	86	86	86	86	g
<b>Mounted</b>					
Characteristic sensitivity		89			dB/W/m
Maximum noise power		5.0			W

5 1/4" Full Range Round Loudspeaker

WD 50725 series

MECHANICAL DATA

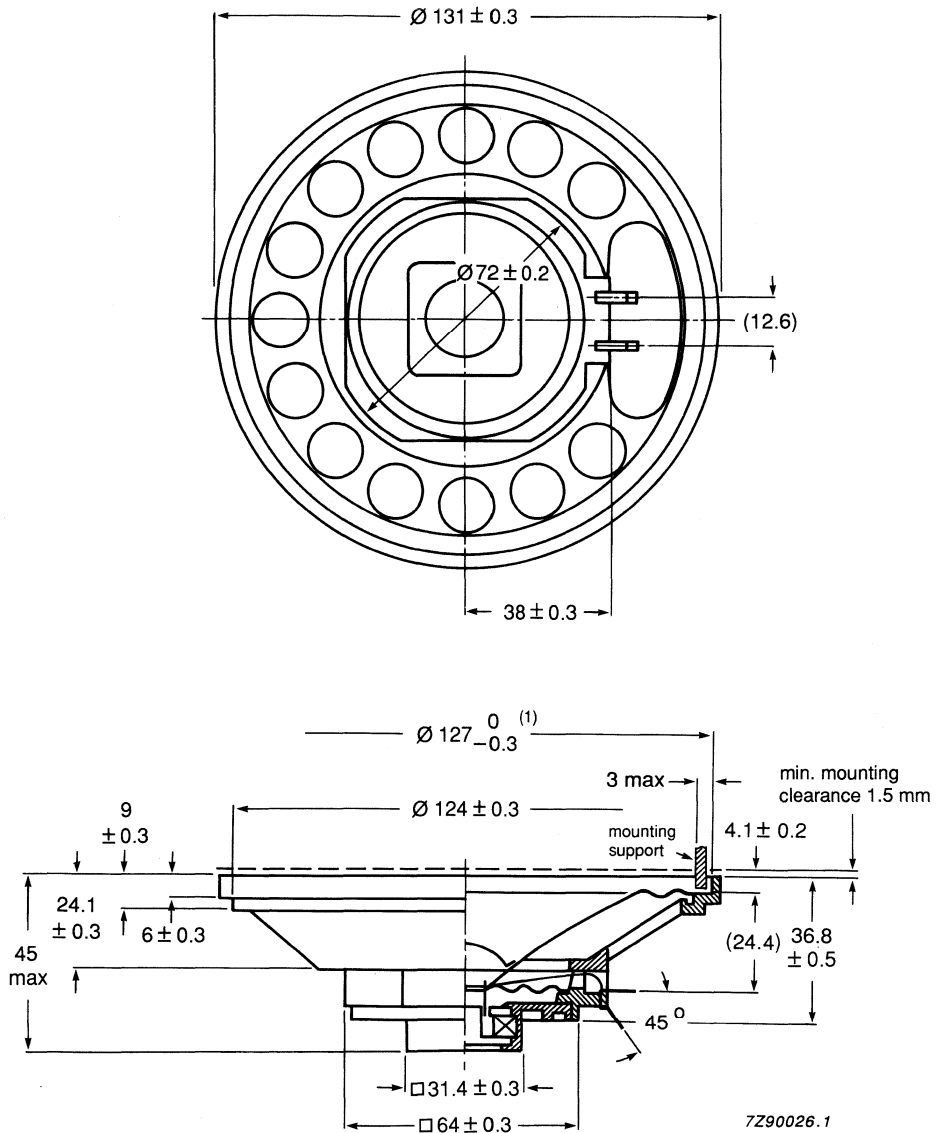
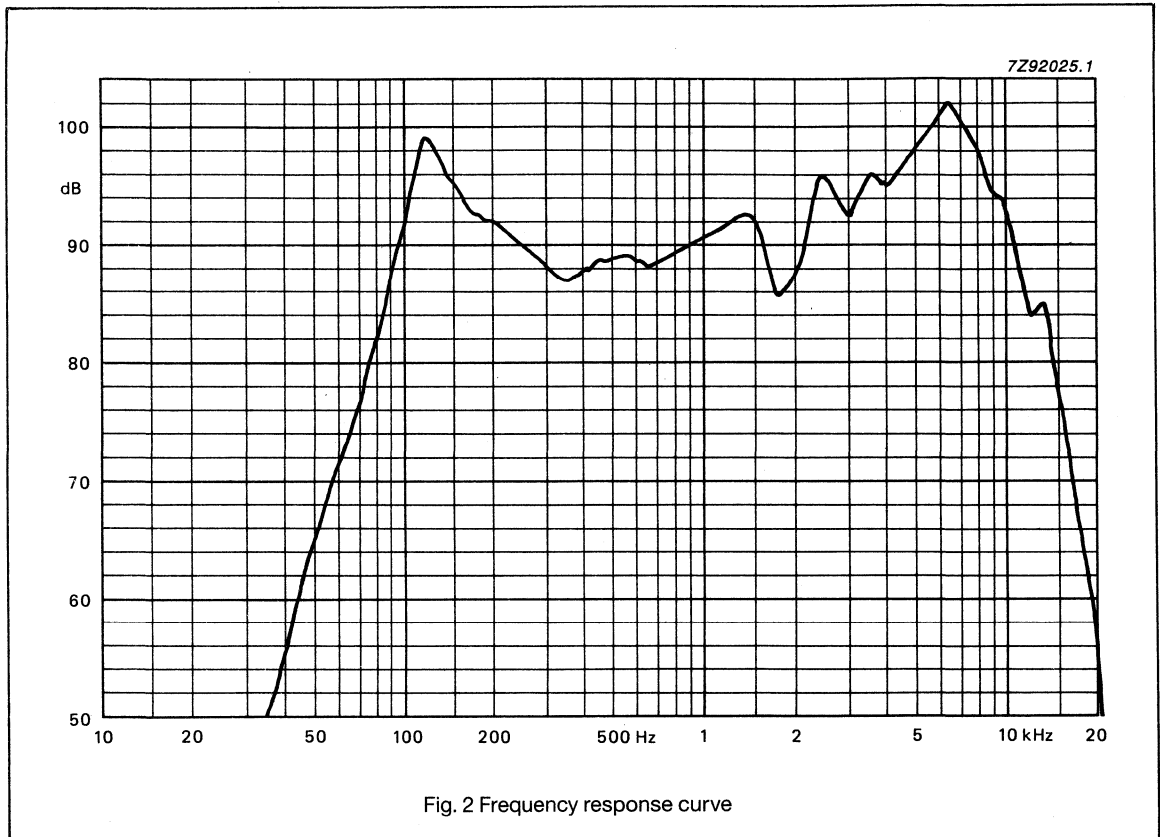


Fig. 1 Outline dimensions (mm)

**5 1/4" Full Range Round Loudspeaker****WD 50725 series****FREQUENCY RESPONSE CURVES**

Frequency response curves have been measured on an axis at a distance of 1 m with 1 W input power.



Catalogue number: 2403 251 10601  
2403 251 10602  
2403 251 10603  
2403 251 10604



Data sheet	
status	Product specification
date of issue	November 1989

# WD 55725 series

## 5 1/4" Full Range Round Loudspeaker

### APPLICATION

Full range loudspeaker for audio applications.

### DESCRIPTION

• Frame	material: plastic finish: none
• Membrane	colour: black
• Suspension	material: paper
• Dust cap	material: plastic colour: black
• Gasket	none

### TECHNICAL DATA

	version				unit
	X4	X8	X15	X25	
<b>Unmounted</b>					
Rated impedance	4	8	15	25	Ω
Voice coil resistance	3.6	7.2	13.5	22.5	Ω
Resonance frequency	130	130	130	130	Hz
Sweep voltage	3.16	4.47	6.12	7.9	V
Magnetic flux density	0.74	0.74	0.74	0.74	T
Loudspeaker mass	86	86	86	86	g
<b>Mounted</b>					
Characteristic sensitivity		89			dB/W/m
Maximum noise power		5.0			W

5 1/4" Full Range Round Loudspeaker

WD 55725 series

MECHANICAL DATA

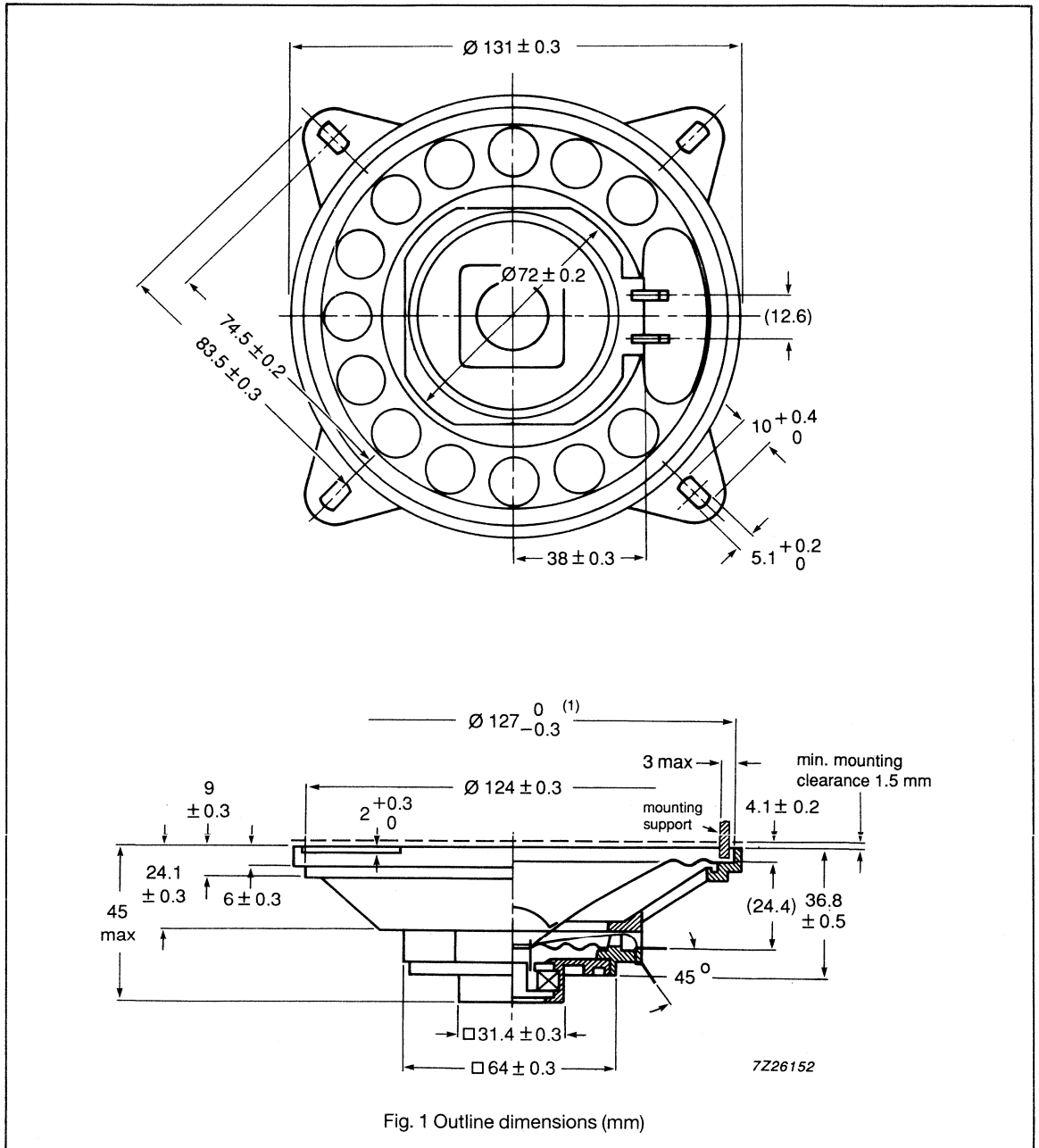
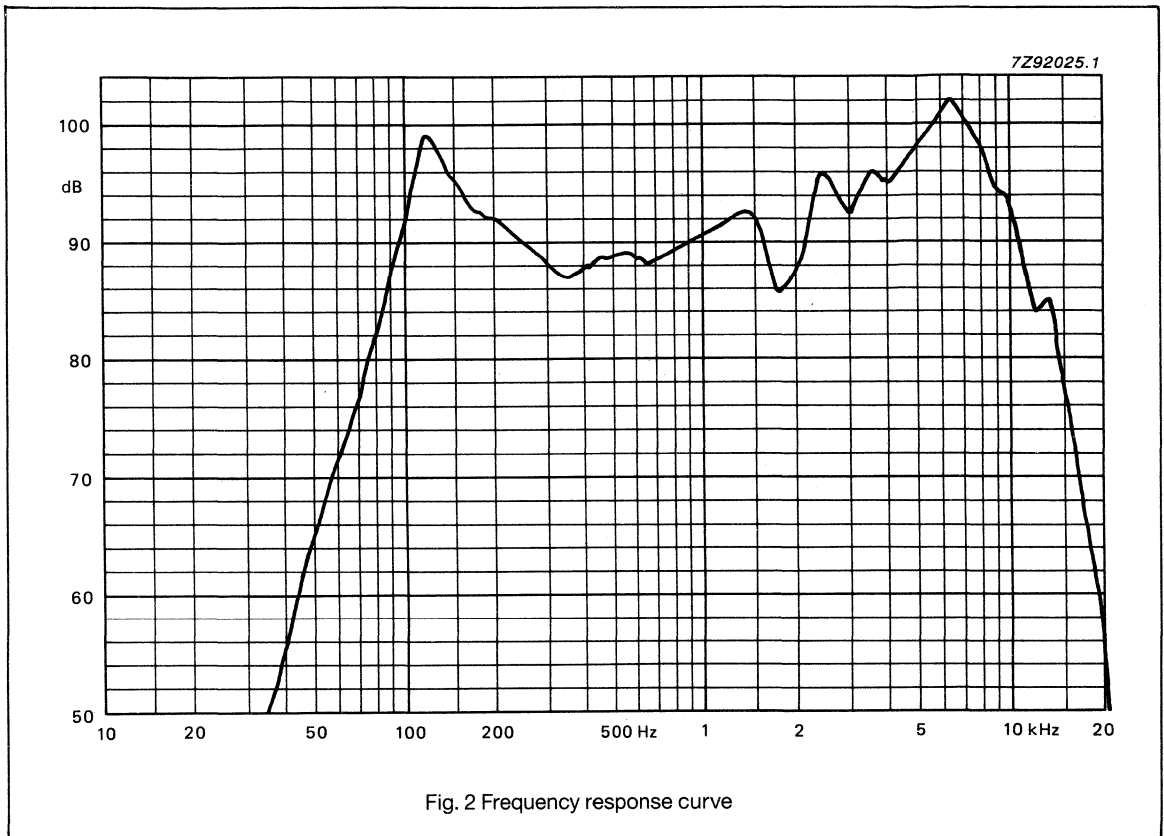


Fig. 1 Outline dimensions (mm)

**5 1/4" Full Range Round Loudspeaker****WD 55725 series****FREQUENCY RESPONSE CURVES**

Frequency response curves have been measured on an axis at a distance of 1 m with 1 W input power.



Catalogue number: 2403 251 10701  
2403 251 10702  
2403 251 10703  
2403 251 10704

## Philips Components

Data sheet	
status	Product specification
date of issue	November 1989

# WD 50740 series

## 5 1/4" Full Range Round Loudspeaker

### APPLICATION

Full range loudspeaker for video applications.

### DESCRIPTION

• Frame	material: plastic finish: none
• Membrane	colour: black
• Suspension	material: paper
• Dust cap	material: plastic colour: black
• Gasket	none

### TECHNICAL DATA

	version				unit
	X4	X8	X15	X25	
<b>Unmounted</b>					
Rated impedance	4	8	15	25	$\Omega$
Voice coil resistance	3.6	7.2	13.5	22.5	$\Omega$
Resonance frequency	130	130	130	130	Hz
Sweep voltage	2.23	3.16	4.33	5.59	V
Magnetic flux density	0.74	0.74	0.74	0.74	T
Loudspeaker mass	90	90	90	90	g
<b>Mounted</b>					
Characteristic sensitivity		89			dB/W/m
Maximum noise power		2.5			W

5 1/4" Full Range Round Loudspeaker

WD 50740 series

MECHANICAL DATA

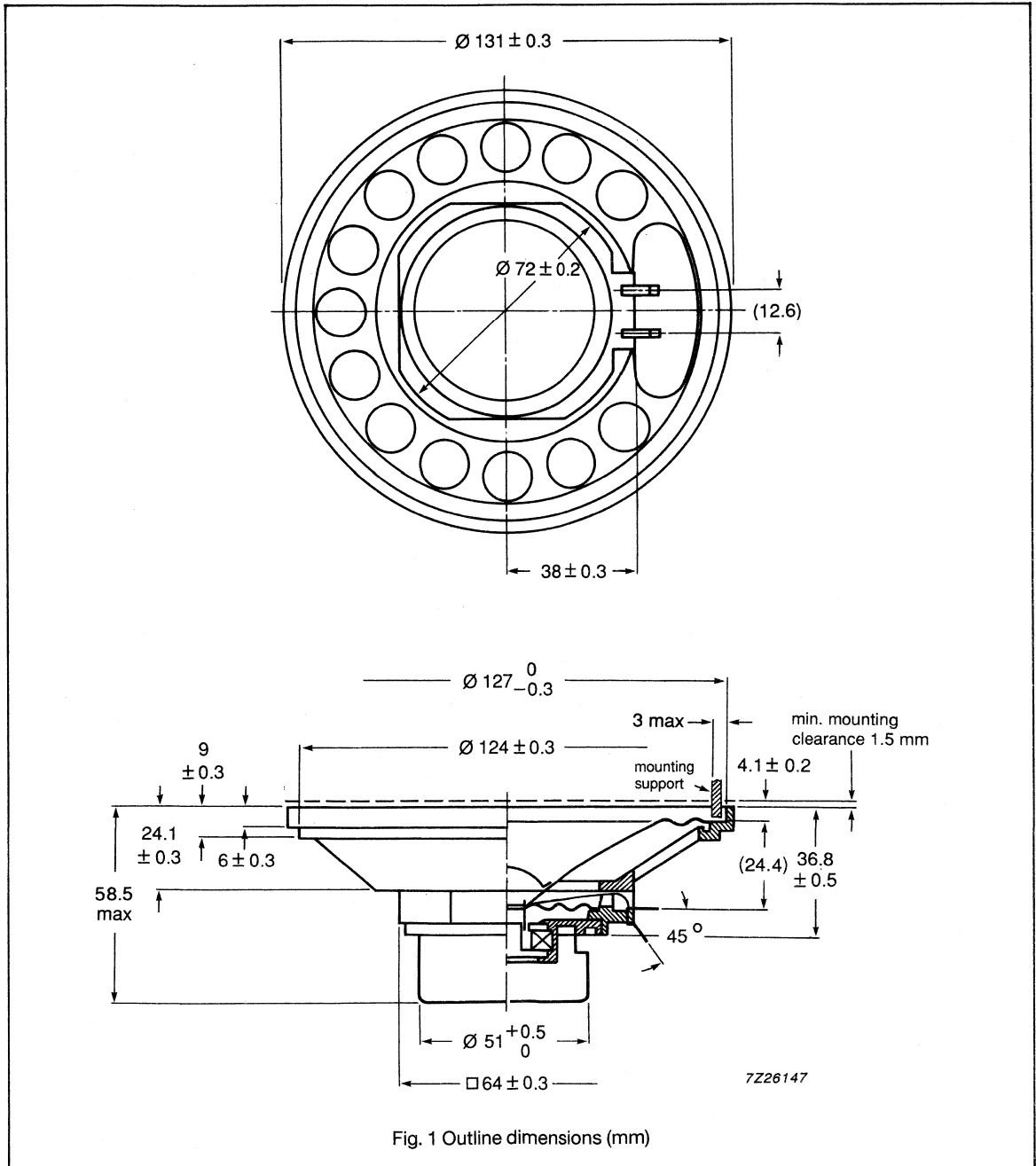


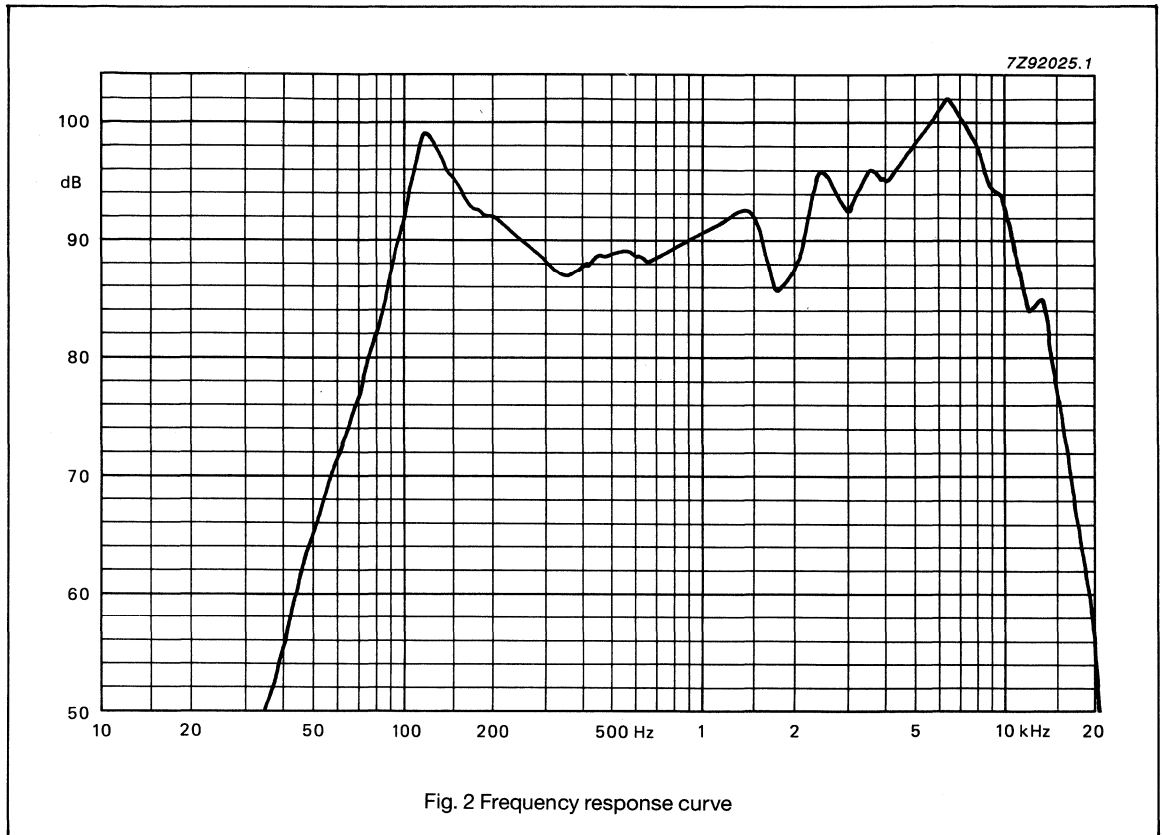
Fig. 1 Outline dimensions (mm)

**5 1/4" Full Range Round Loudspeaker**

**WD 50740 series**

**FREQUENCY RESPONSE CURVES**

Frequency response curves have been measured on an axis at a distance of 1 m with 1 W input power.



- Catalogue number: 2403 251 10201
- 2403 251 10202
- 2403 251 10203
- 2403 251 10204

# WD 55740 series

## 5 1/4" Full Range Round Loudspeaker

Data sheet	
status	Product specification
date of issue	October 1989

### APPLICATION

Full range loudspeaker for video applications.

### DESCRIPTION

• Frame	material: plastic finish: none
• Membrane	colour: black
• Suspension	material: paper
• Dust cap	material: plastic colour: black
• Gasket	none

### TECHNICAL DATA

	version				unit
	X4	X8	X15	X25	
<b>Unmounted</b>					
Rated impedance	4	8	15	25	Ω
Voice coil resistance	3.6	7.2	13.5	22.5	Ω
Resonance frequency	130	130	130	130	Hz
Sweep voltage	2.23	3.16	4.33	5.59	V
Magnetic flux density	0.74	0.74	0.74	0.74	T
Loudspeaker mass	90	90	90	90	g
<b>Mounted</b>					
Characteristic sensitivity	89				dB/W/m
Maximum noise power	2.5				W

# 5 1/4" Full Range Round Loudspeaker

# WD 55740 series

## MECHANICAL DATA

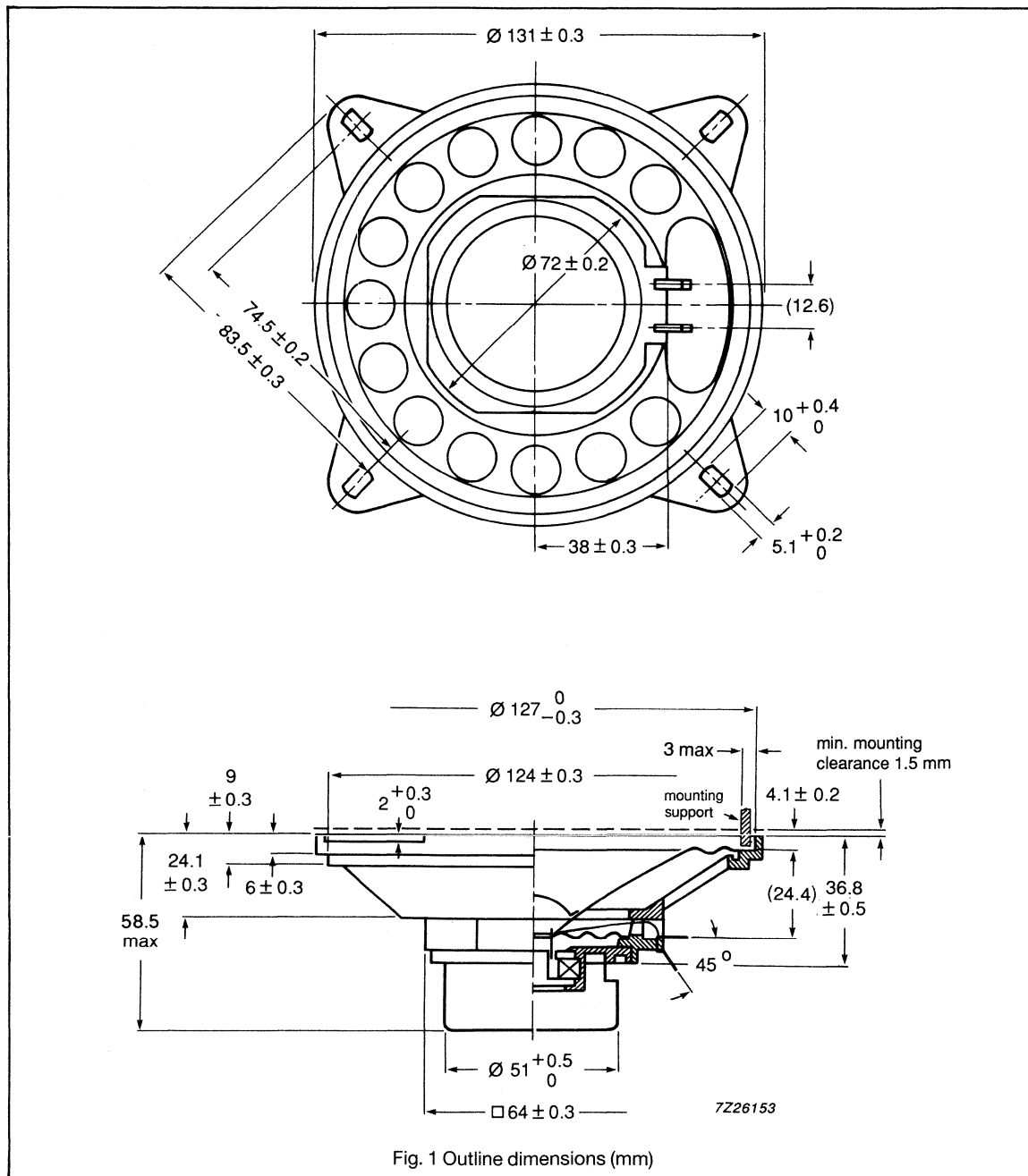
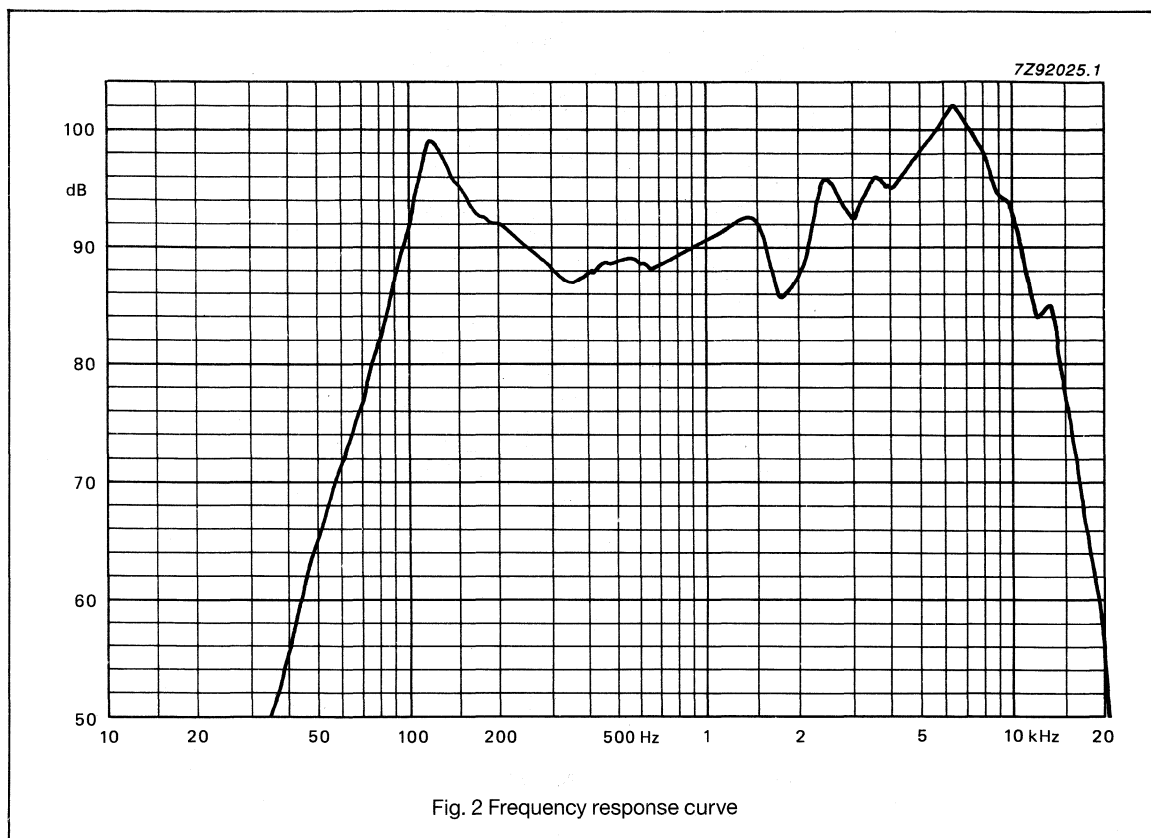


Fig. 1 Outline dimensions (mm)



**5 1/4" Full Range Round Loudspeaker****WD 55740 series****FREQUENCY RESPONSE CURVES**

Frequency response curves have been measured on an axis at a distance of 1 m with 1 W input power.



Catalogue number: 2403 251 10301

2403 251 10302

2403 251 10303

2403 251 10304

**Philips Components**

<b>Data sheet</b>	
<b>status</b>	Product specification
<b>date of issue</b>	November 1989

# WD 50745 series

## 5 1/4" Full Range Round Loudspeaker

**APPLICATION**

Full range loudspeaker for video applications.

**DESCRIPTION**

• Frame	material: plastic finish: none
• Membrane	colour: black
• Suspension	material: paper
• Dust cap	material: plastic colour: black
• Gasket	none

**TECHNICAL DATA**

	version				unit
	X4	X8	X15	X25	
<b>Unmounted</b>					
Rated impedance	4	8	15	25	Ω
Voice coil resistance	3.6	7.2	13.5	22.5	Ω
Resonance frequency	130	130	130	130	Hz
Sweep voltage	2.64	3.74	5.12	6.61	V
Magnetic flux density	0.74	0.74	0.74	0.74	T
Loudspeaker mass	90	90	90	90	g
<b>Mounted</b>					
Characteristic sensitivity		89			dB/W/m
Maximum noise power		3.5			W

5 1/4" Full Range Round Loudspeaker

WD 50745 series

MECHANICAL DATA

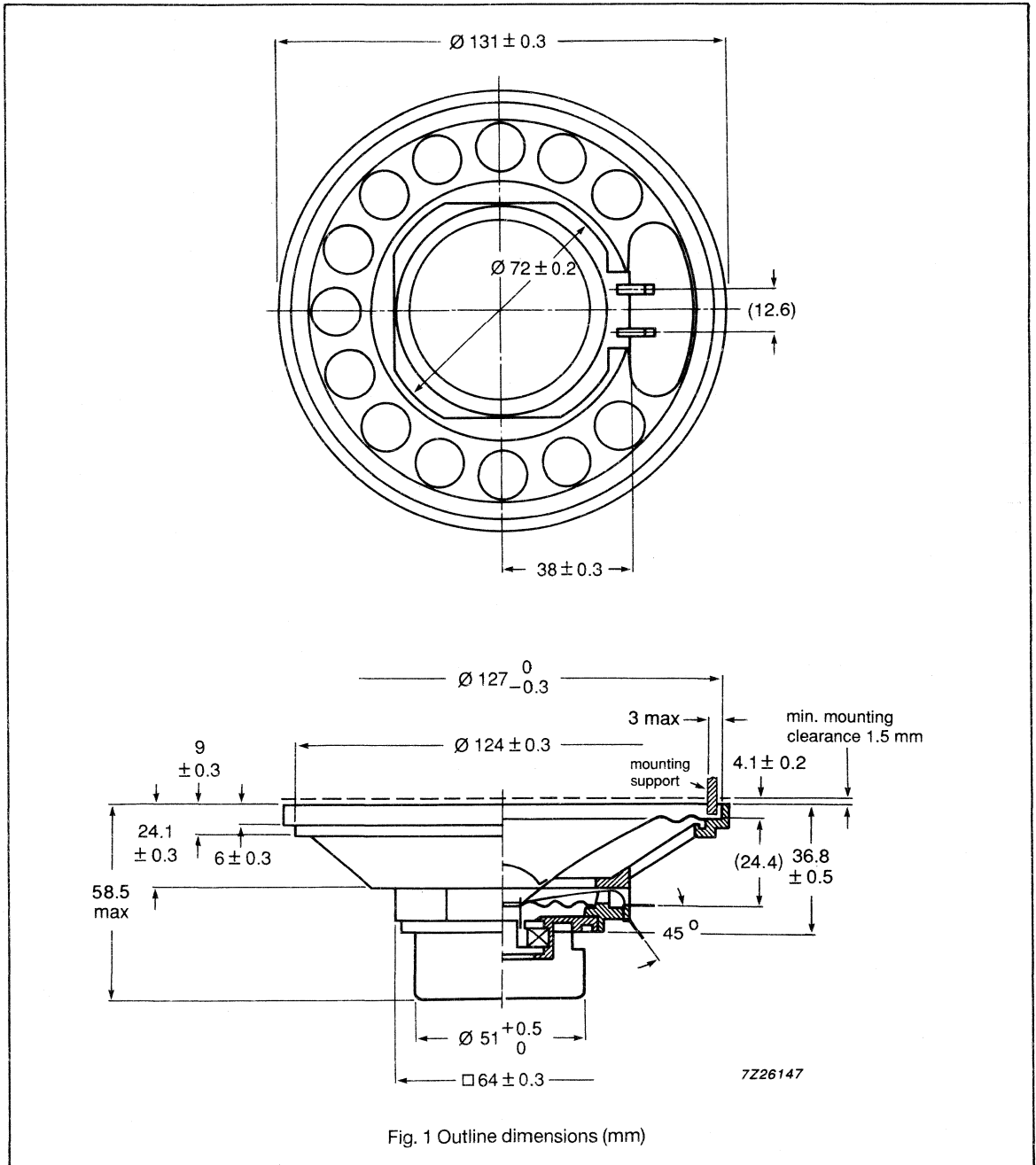
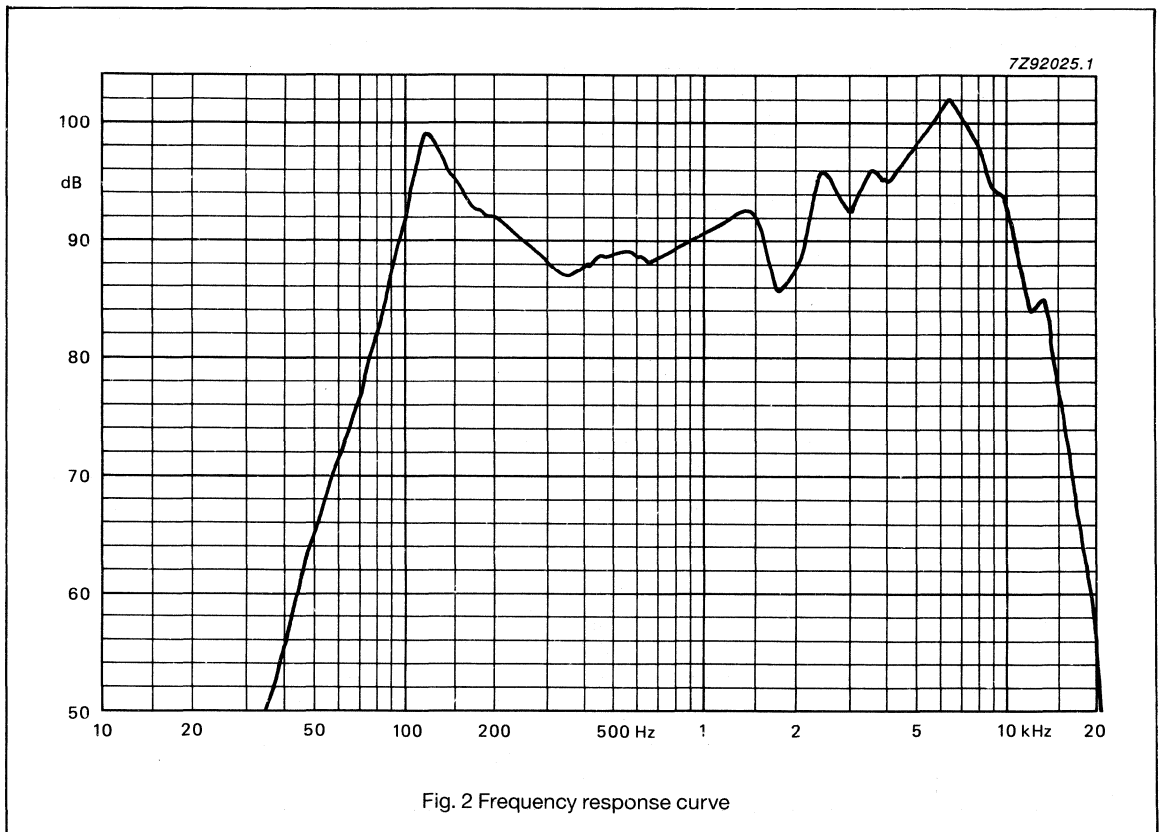


Fig. 1 Outline dimensions (mm)

**5 1/4" Full Range Round Loudspeaker****WD 50745 series****FREQUENCY RESPONSE CURVES**

Frequency response curves have been measured on an axis at a distance of 1 m with 1 W input power.



Catalogue number: 2403 251 10801  
2403 251 10802  
2403 251 10803  
2403 251 10804

Data sheet	
status	Product specification
date of issue	October 1989

# WD 55745 series

## 5 1/4" Full Range Round Loudspeaker

### APPLICATION

Full range loudspeaker for video applications.

### DESCRIPTION

• Frame	material: plastic finish: none
• Membrane	colour: black
• Suspension	material: paper
• Dust cap	material: plastic colour: black
• Gasket	none

### TECHNICAL DATA

	version				unit	
	X4	X8	X15	X25		
<b>Unmounted</b>						
Rated impedance	4	8	15	25	Ω	
Voice coil resistance	3.6	7.2	13.5	22.5	Ω	
Resonance frequency	130	130	130	130	Hz	
Sweep voltage	2.64	3.74	5.12	6.61	V	
Magnetic flux density	0.74	0.74	0.74	0.74	T	
Loudspeaker mass	90	90	90	90	g	
<b>Mounted</b>						
Characteristic sensitivity					89	dB/W/m
Maximum noise power					3.5	W



**5 1/4" Full Range Round Loudspeaker****WD 55745 series****FREQUENCY RESPONSE CURVES**

Frequency response curves have been measured on an axis at a distance of 1 m with 1 W input power.

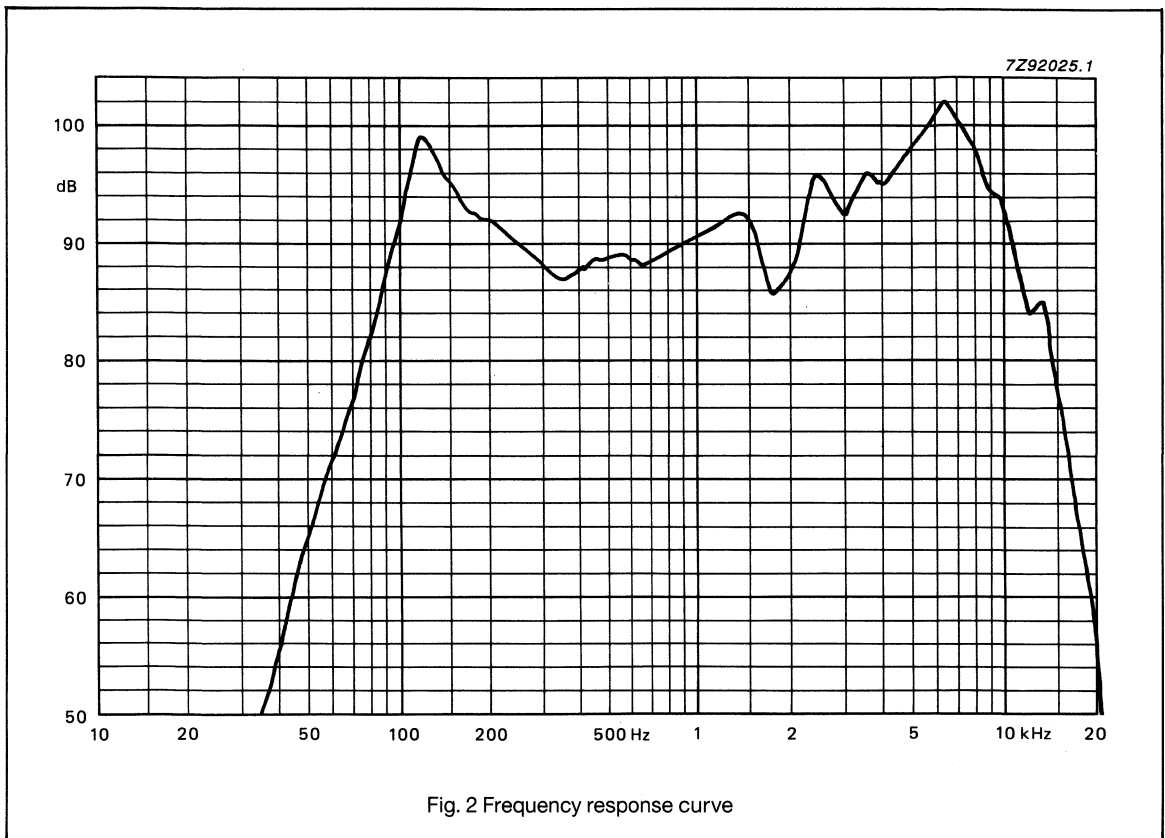


Fig. 2 Frequency response curve

Catalogue number: 2403 251 10901  
2403 251 10902  
2403 251 10903  
2403 251 10904

**Philips Components**

Data sheet	
status	Product specification
date of issue	November 1989

# WD 50760 series

## 5 1/4" Full Range Round Loudspeaker

**APPLICATION**

Full range loudspeaker for video applications.

**DESCRIPTION**

• Frame	material: plastic finish: none
• Membrane	colour: black
• Suspension	material: paper
• Dust cap	material: plastic colour: black
• Gasket	none

**TECHNICAL DATA**

	version				unit
	X4	X8	X15	X25	
<b>Unmounted</b>					
Rated impedance	4	8	15	25	Ω
Voice coil resistance	3.6	7.2	13.5	22.5	Ω
Resonance frequency	130	130	130	130	Hz
Sweep voltage	2.23	3.16	4.33	5.59	V
Magnetic flux density	0.74	0.74	0.74	0.74	T
Loudspeaker mass	102	102	102	102	g
<b>Mounted</b>					
Characteristic sensitivity		89			dB/W/m
Maximum noise power		2.5			W



5 1/4" Full Range Round Loudspeaker

WD 50760 series

MECHANICAL DATA

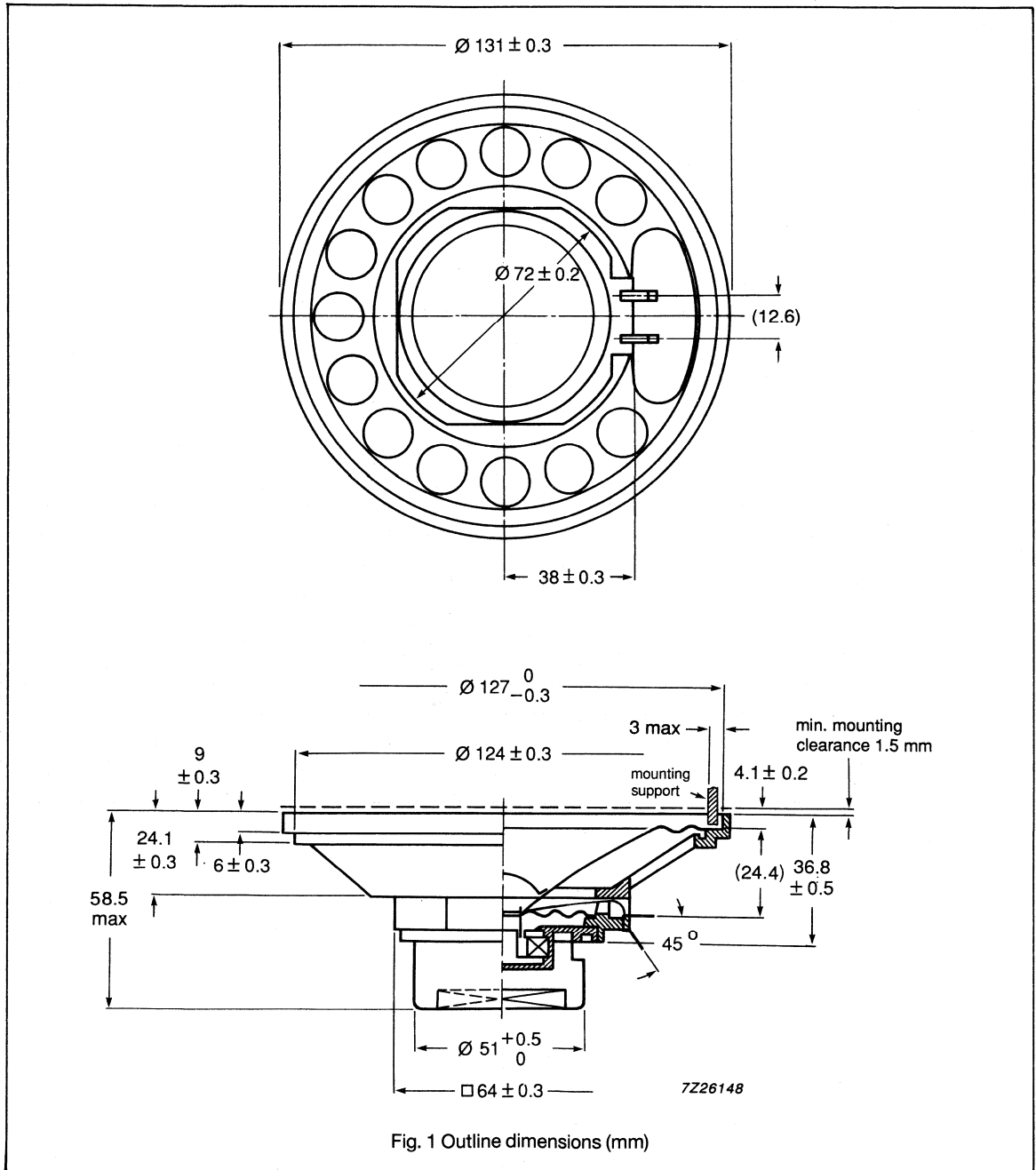


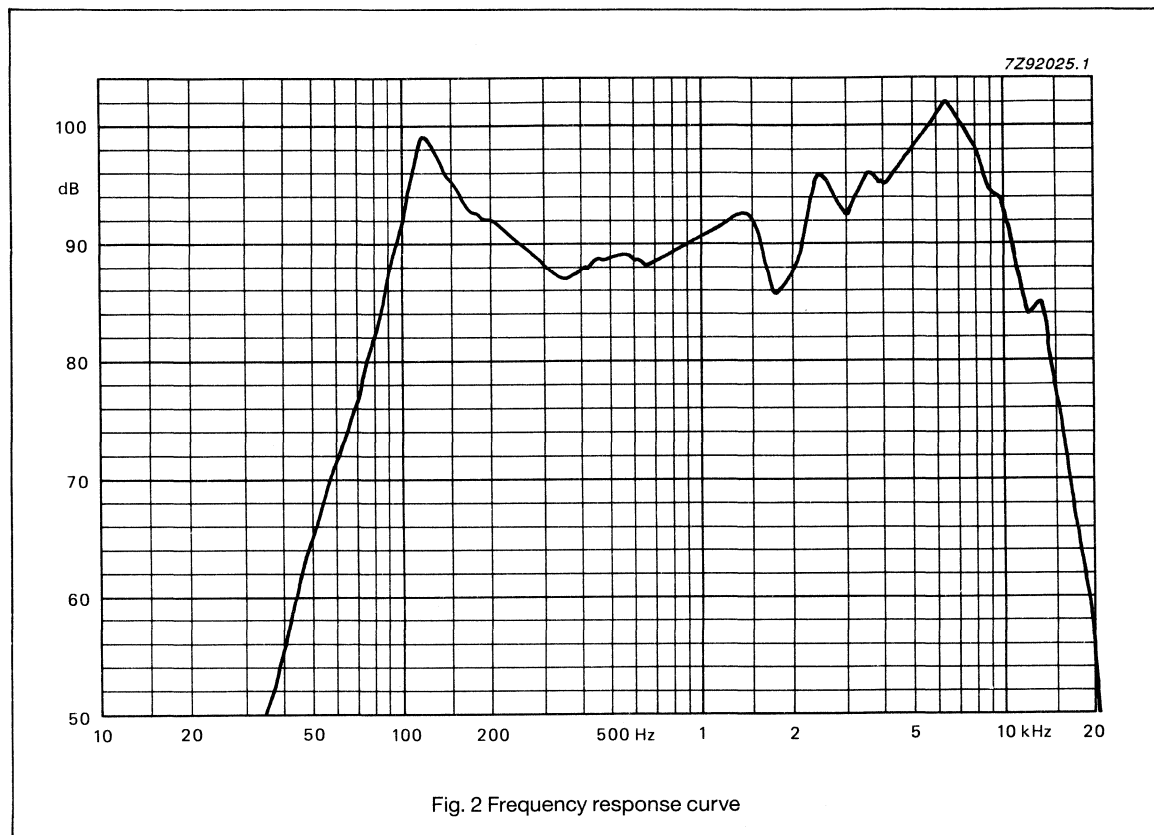
Fig. 1 Outline dimensions (mm)

# 5 1/4" Full Range Round Loudspeaker

# WD 50760 series

## FREQUENCY RESPONSE CURVES

Frequency response curves have been measured on an axis at a distance of 1 m with 1 W input power.



- Catalogue number: 2403 251 10401
- 2403 251 10402
- 2403 251 10403
- 2403 251 10404

Data sheet	
status	Product specification
date of issue	November 1989

# WD 55760 series

## 5 1/4" Full Range Round Loudspeaker

### APPLICATION

Full range loudspeaker for video applications.

### DESCRIPTION

• Frame	material: plastic finish: none
• Membrane	colour: black
• Suspension	material: paper
• Dust cap	material: plastic colour: black
• Gasket	none

### TECHNICAL DATA

	version				unit
	X4	X8	X15	X25	
<b>Unmounted</b>					
Rated impedance	4	8	15	25	Ω
Voice coil resistance	3.6	7.2	13.5	22.5	Ω
Resonance frequency	130	130	130	130	Hz
Sweep voltage	2.23	3.16	4.33	5.59	V
Magnetic flux density	0.74	0.74	0.74	0.74	T
Loudspeaker mass	102	102	102	102	g
<b>Mounted</b>					
Characteristic sensitivity		89			dB/W/m
Maximum noise power		2.5			W

5 1/4" Full Range Round Loudspeaker

WD 55760 series

MECHANICAL DATA

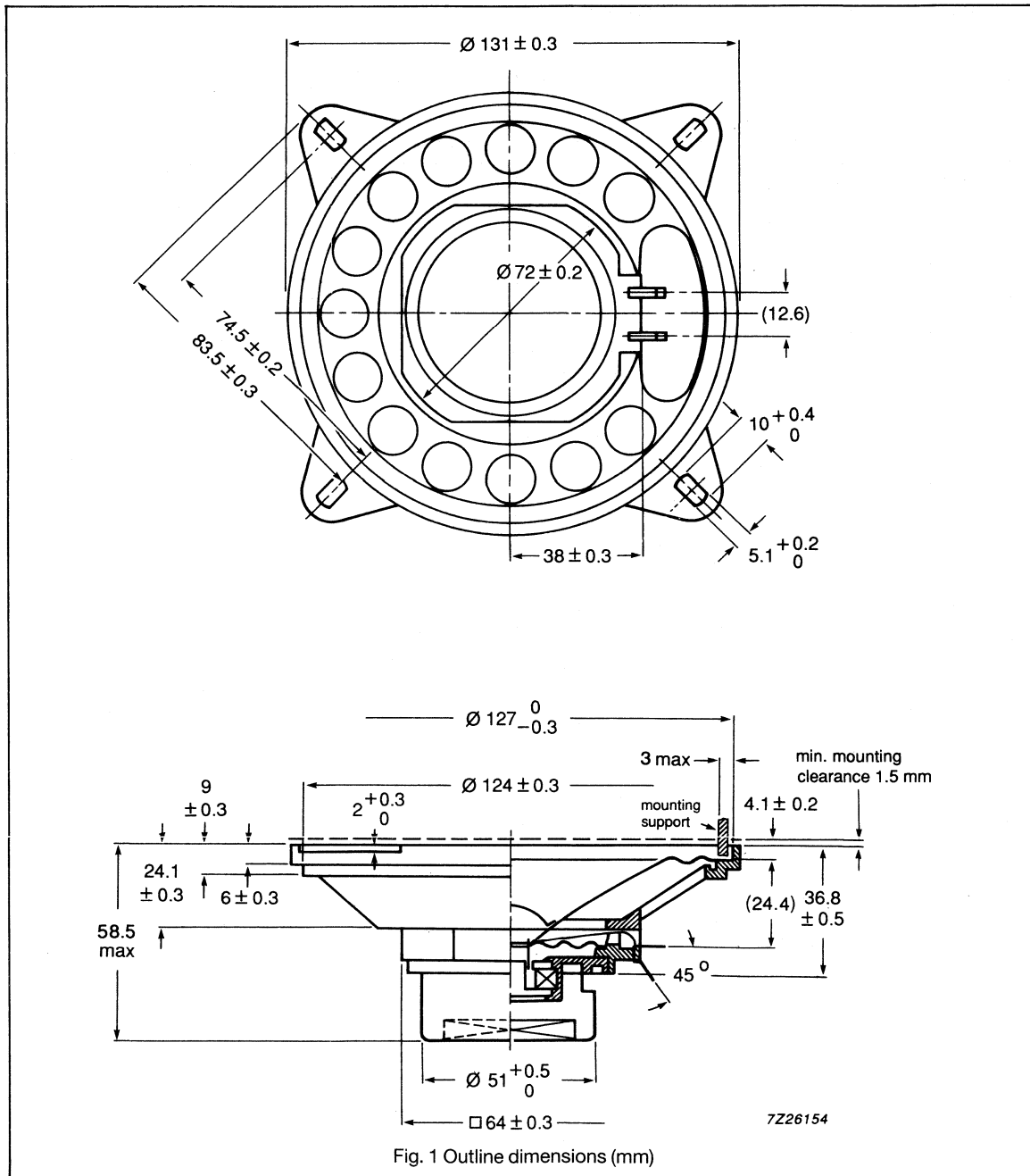
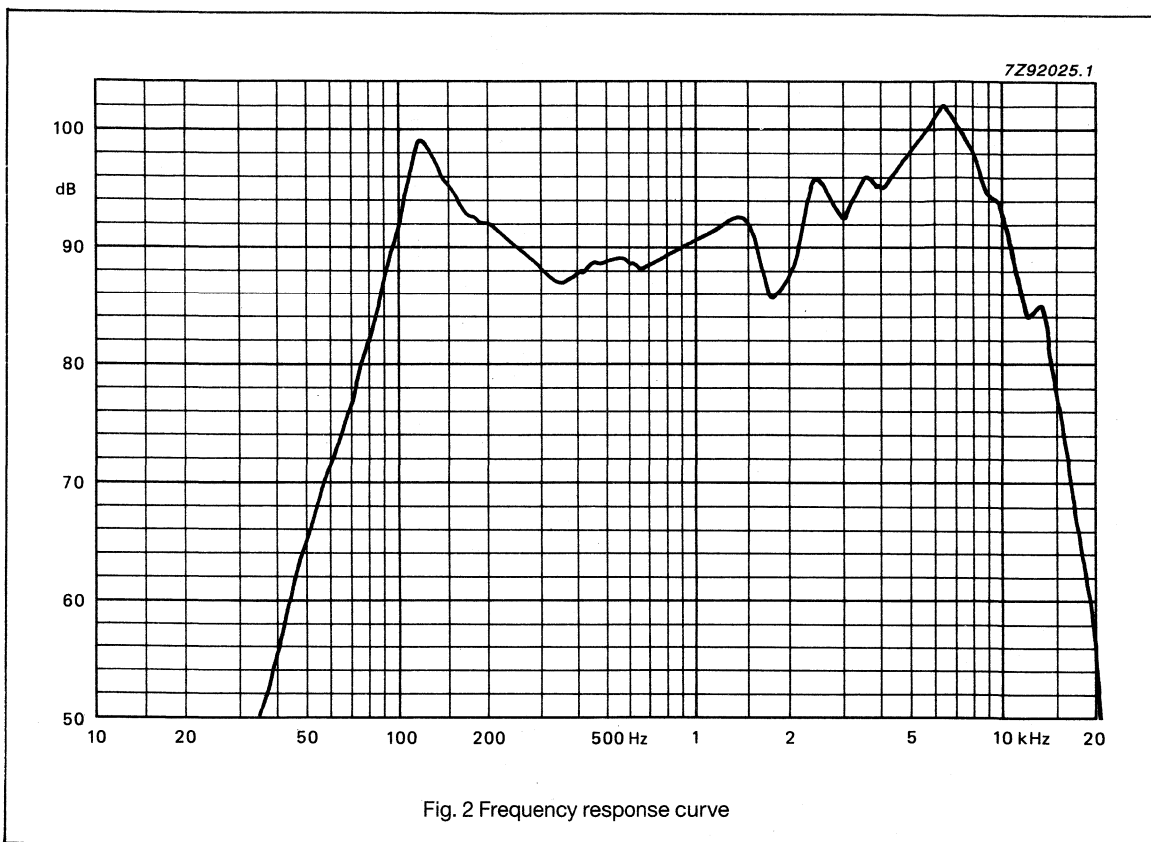


Fig. 1 Outline dimensions (mm)

**5 1/4" Full Range Round Loudspeaker****WD 55760 series****FREQUENCY RESPONSE CURVES**

Frequency response curves have been measured on an axis at a distance of 1 m with 1 W input power.



Catalogue number: 2403 251 10501  
2403 251 10502  
2403 251 10503  
2403 251 10504

**Philips Components**

<b>Data sheet</b>	
<b>status</b>	Product specification
<b>date of issue</b>	November 1989

# WD 50765 series

## 5 1/4" Full Range Round Loudspeaker

**APPLICATION**

Full range loudspeaker for video applications.

**DESCRIPTION**

• Frame	material: plastic finish: none
• Membrane	colour: black
• Suspension	material: paper
• Dust cap	material: plastic colour: black
• Gasket	none

**TECHNICAL DATA**

	version				unit
	X4	X8	X15	X25	
<b>Unmounted</b>					
Rated impedance	4	8	15	25	Ω
Voice coil resistance	3.6	7.2	13.5	22.5	Ω
Resonance frequency	130	130	130	130	Hz
Sweep voltage	2.64	3.74	5.12	6.61	V
Magnetic flux density	0.74	0.74	0.74	0.74	T
Loudspeaker mass	102	102	102	102	g
<b>Mounted</b>					
Characteristic sensitivity		89			dB/W/m
Maximum noise power		3.5			W

5 1/4" Full Range Round Loudspeaker

WD 50765 series

MECHANICAL DATA

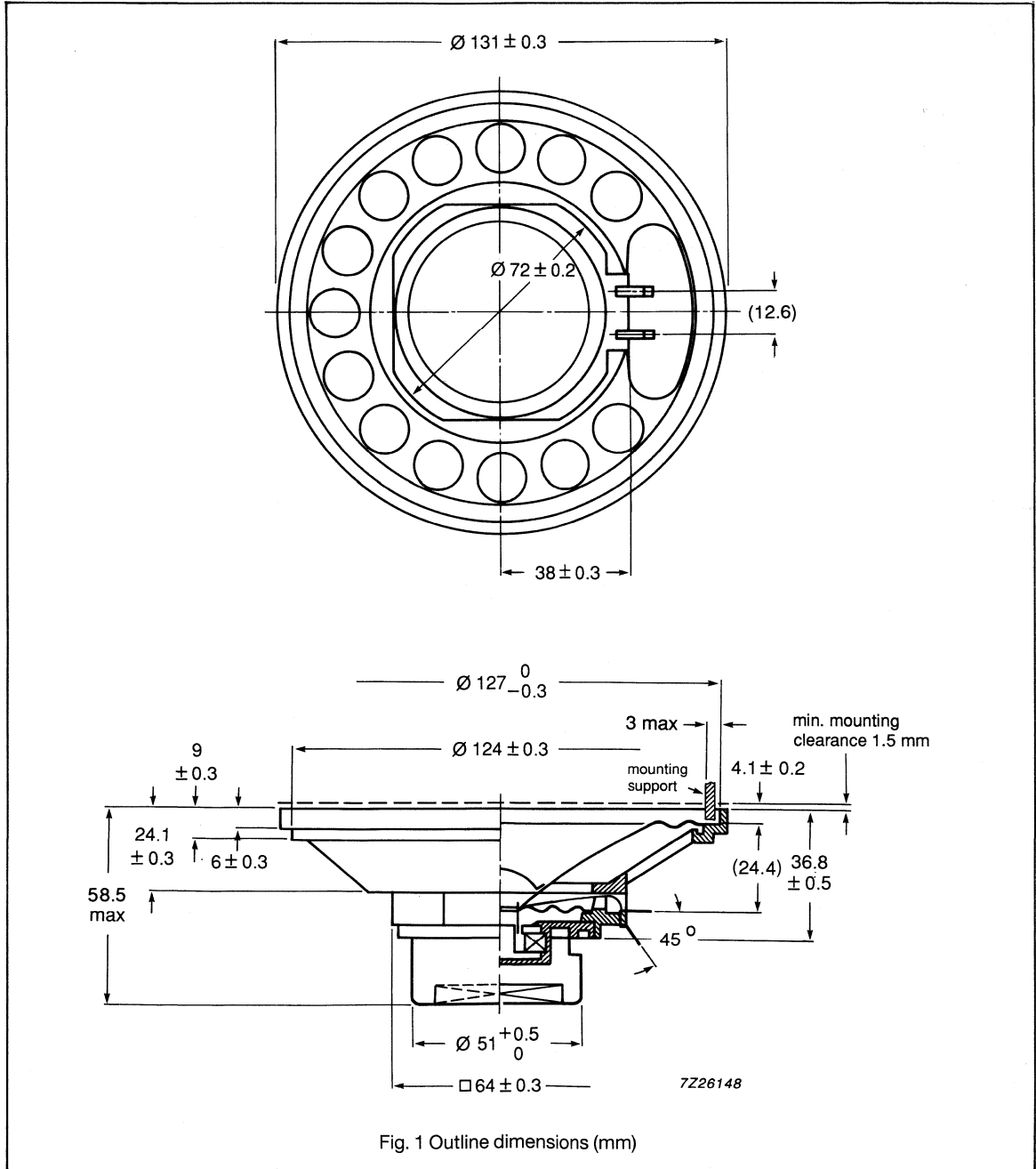


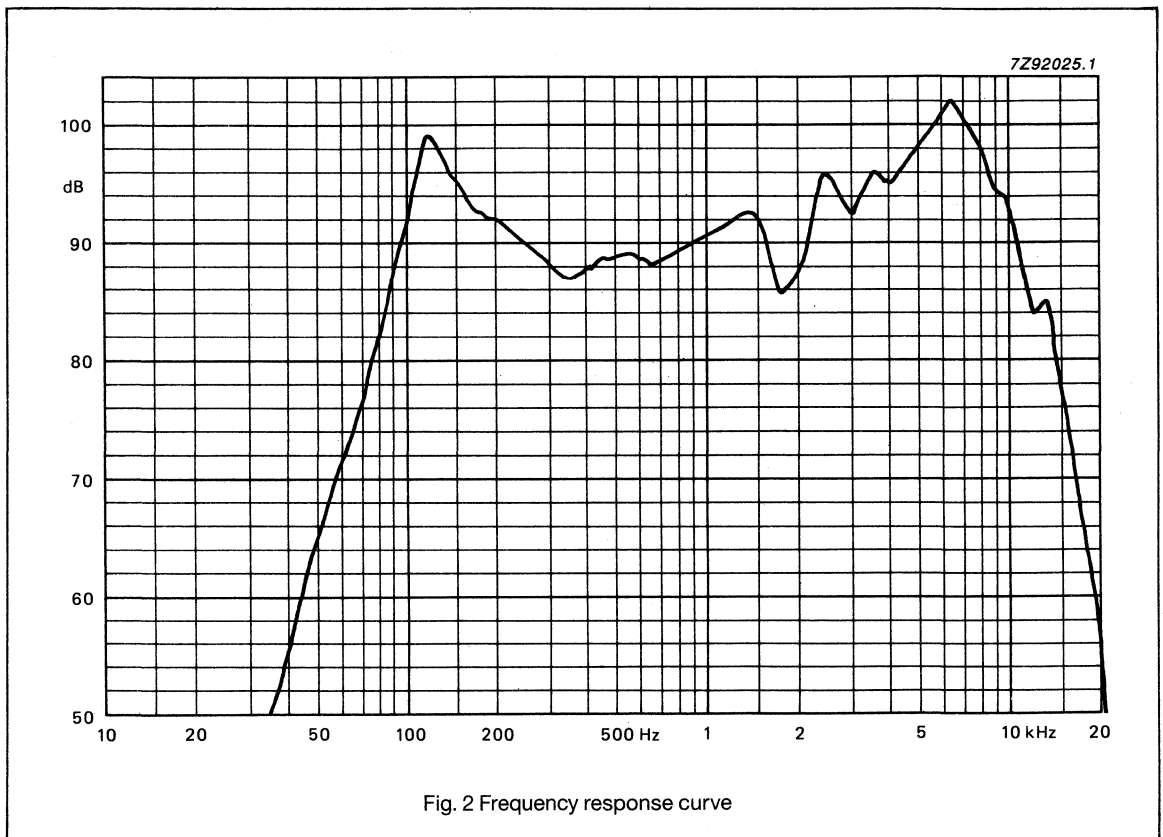
Fig. 1 Outline dimensions (mm)

**5 1/4" Full Range Round Loudspeaker**

**WD 50765 series**

**FREQUENCY RESPONSE CURVES**

Frequency response curves have been measured on an axis at a distance of 1 m with 1 W input power.



- Catalogue number: 2403 251 11001
- 2403 251 11002
- 2403 251 11003
- 2403 251 11004



Data sheet	
status	Product specification
date of issue	November 1989

# WD 55765 series

## 5 1/4" Full Range Round Loudspeaker

### APPLICATION

Full range loudspeaker for video applications.

### DESCRIPTION

• Frame	material: plastic finish: none
• Membrane	colour: black
• Suspension	material: paper
• Dust cap	material: plastic colour: black
• Gasket	none

### TECHNICAL DATA

	version				unit
	X4	X8	X15	X25	
<b>Unmounted</b>					
Rated impedance	4	8	15	25	Ω
Voice coil resistance	3.6	7.2	13.5	22.5	Ω
Resonance frequency	130	130	130	130	Hz
Sweep voltage	2.64	3.74	5.12	6.61	V
Magnetic flux density	0.74	0.74	0.74	0.74	T
Loudspeaker mass	102	102	102	102	g
<b>Mounted</b>					
Characteristic sensitivity		89			dB/W/m
Maximum noise power		3.5			W

5 1/4" Full Range Round Loudspeaker

WD 55765 series

MECHANICAL DATA

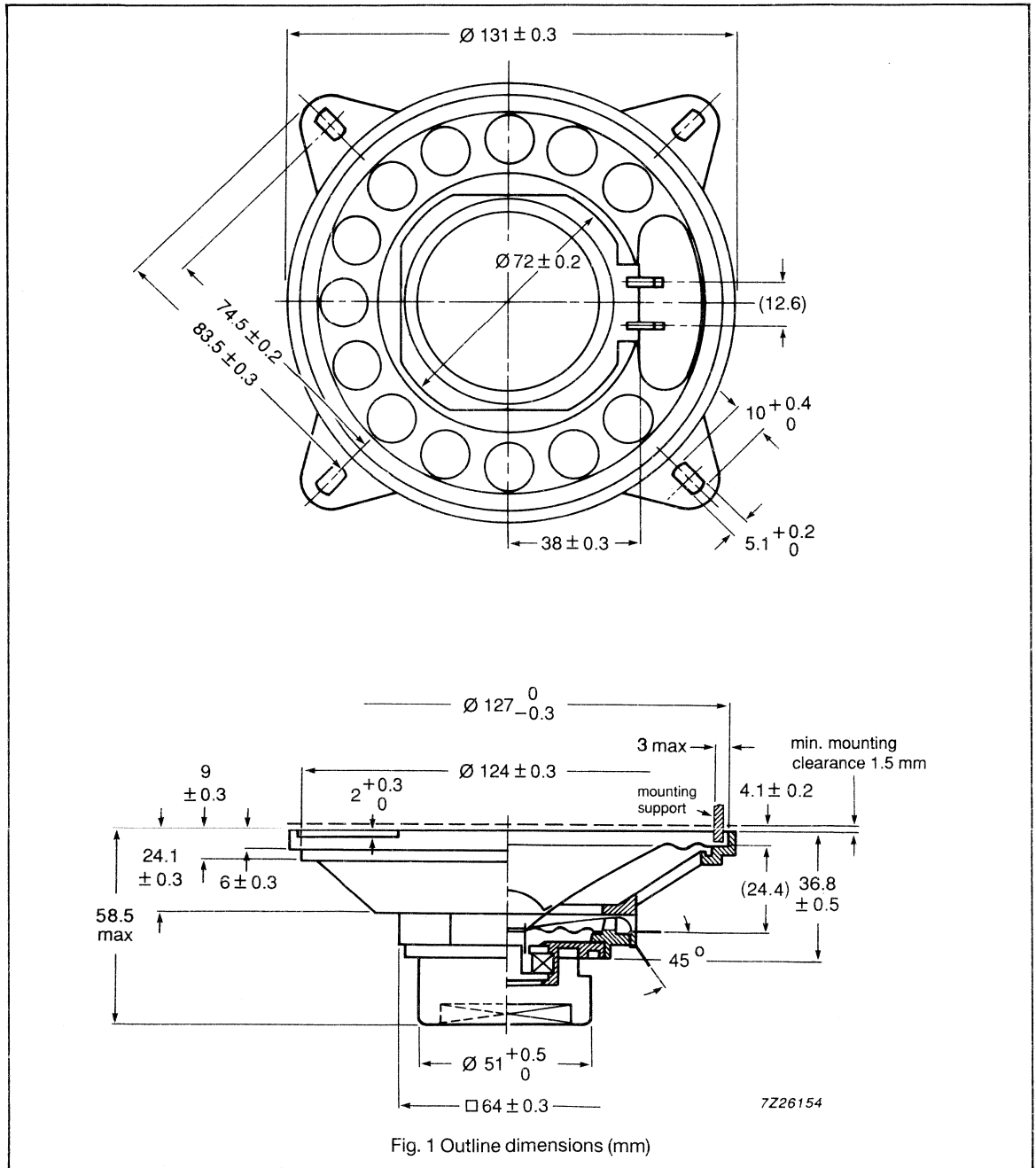
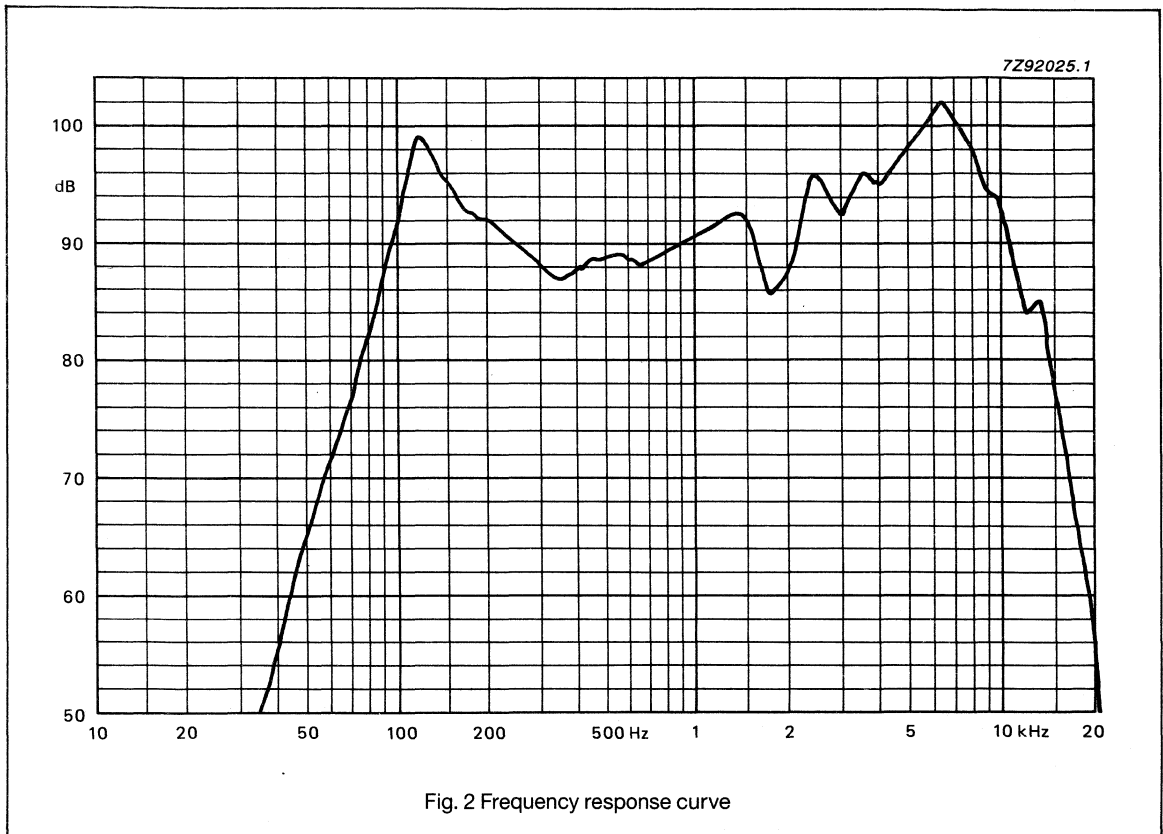


Fig. 1 Outline dimensions (mm)

**5 1/4" Full Range Round Loudspeaker****WD 55765 series****FREQUENCY RESPONSE CURVES**

Frequency response curves have been measured on an axis at a distance of 1 m with 1 W input power.



Catalogue number: 2403 251 11101  
2403 251 11102  
2403 251 11103  
2403 251 11104

**Philips Components**

<b>Data sheet</b>	
<b>status</b>	Product specification
<b>date of issue</b>	May 1990

**WD 50925 series****5 1/4" Full Range Round Loudspeaker****APPLICATION**

Full range loudspeaker for audio applications.

**DESCRIPTION**

• Frame	material: plastic finish: none
• Membrane	colour: black
• Suspension	material: paper
• Dust cap	material: plastic colour: black
• Gasket	none

**TECHNICAL DATA**

	<b>version</b>				<b>unit</b>
	<b>X4</b>	<b>X8</b>	<b>X15</b>	<b>X25</b>	
<b>Unmounted</b>					
Rated impedance	4	8	15	25	$\Omega$
Voice coil resistance	3.6	7.2	13.5	22.5	$\Omega$
Resonance frequency	130	130	130	130	Hz
Sweep voltage	4.0	5.65	7.74	10.0	V
Magnetic flux density	1.02	1.02	1.02	1.02	T
Loudspeaker mass	168	168	168	168	g
<b>Mounted</b>					
Characteristic sensitivity		92			dB/W/m
Maximum noise power		8.0			W

5 1/4" Full Range Round Loudspeaker

WD 50925 series

MECHANICAL DATA

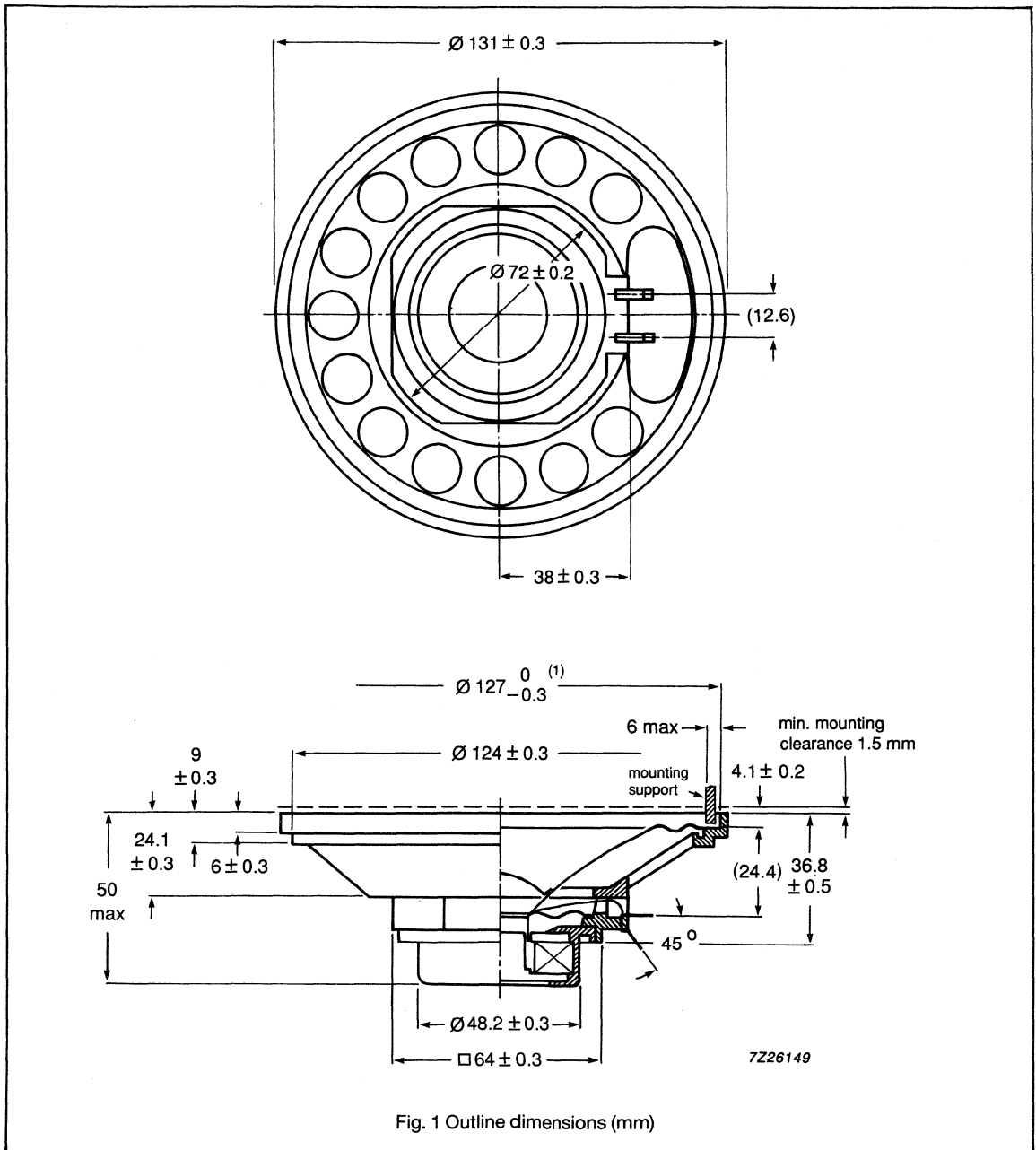


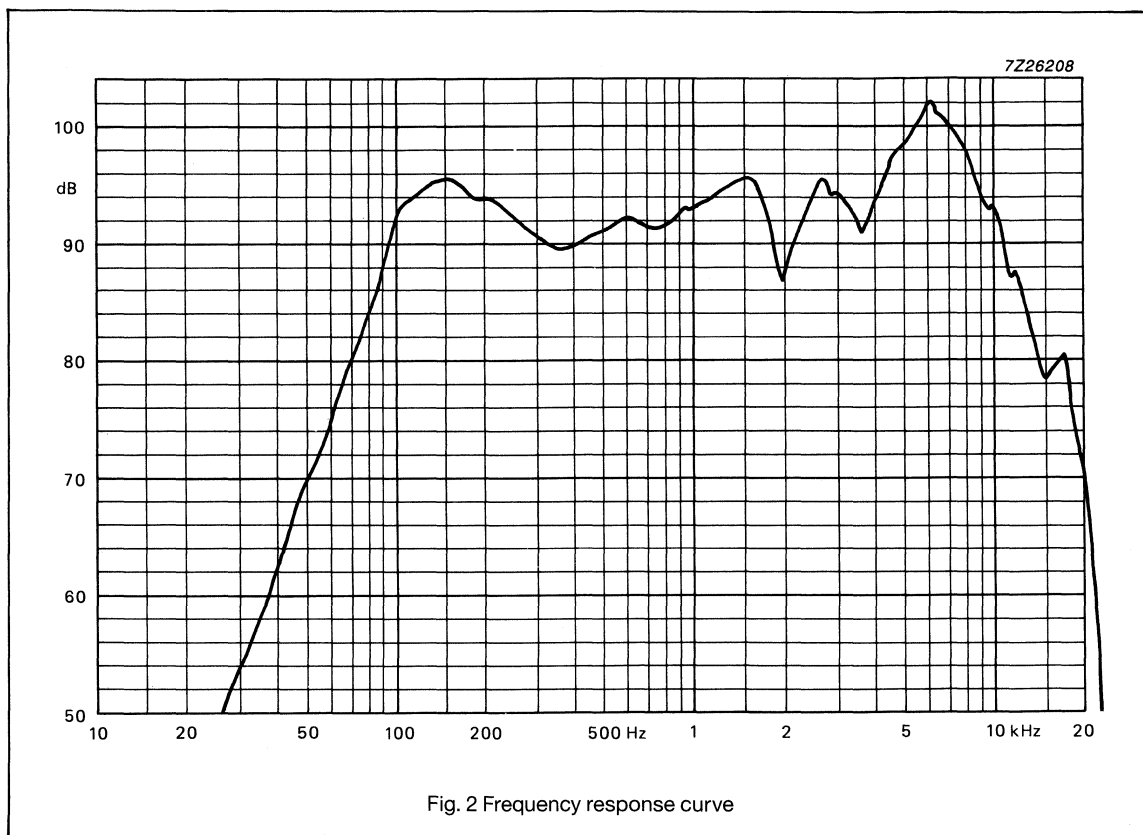
Fig. 1 Outline dimensions (mm)

# 5 1/4" Full Range Round Loudspeaker

# WD 50925 series

## FREQUENCY RESPONSE CURVES

Frequency response curves have been measured on an axis at a distance of 1 m with 1 W input power.



- Catalogue number: 2403 253 10601
- 2403 253 10602
- 2403 253 10603
- 2403 253 10604

**Philips Components**

Data sheet	
status	Product specification
date of issue	May 1990

# WD 55925 series

## 5 1/4" Full Range Round Loudspeaker

**APPLICATION**

Full range loudspeaker for video applications.

**DESCRIPTION**

• Frame	material: plastic finish: none
• Membrane	colour: black
• Suspension	material: paper
• Dust cap	material: plastic colour: black
• Gasket	: none

**TECHNICAL DATA**

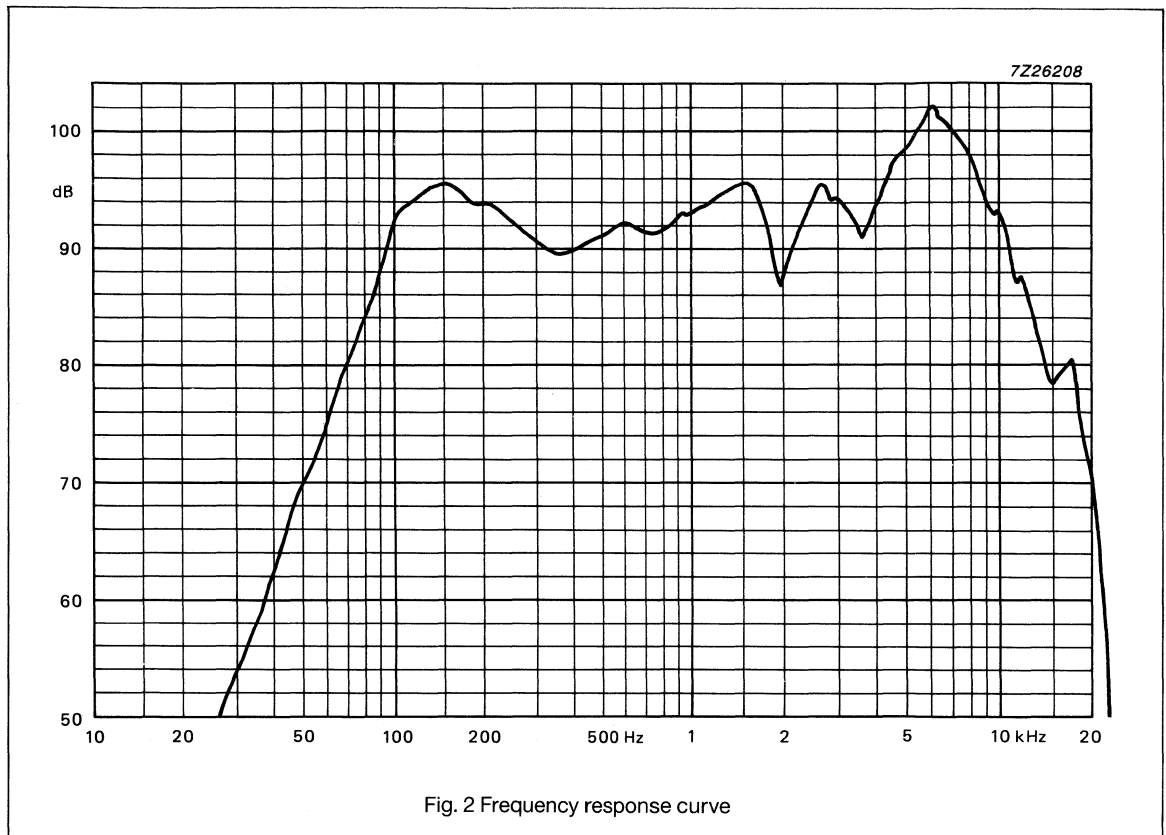
	version				unit
	X4	X8	X15	X25	
<b>Unmounted</b>					
Rated impedance	4	8	15	25	$\Omega$
Voice coil resistance	3.6	7.2	13.5	22.5	$\Omega$
Resonance frequency	130	130	130	130	Hz
Sweep voltage	4.0	5.65	7.74	10.0	V
Magnetic flux density	1.02	1.02	1.02	1.02	T
Loudspeaker mass	168	168	168	168	g
<b>Mounted</b>					
Characteristic sensitivity		92			dB/W/m
Maximum noise power		8.0			W





**5 1/4" Full Range Round Loudspeaker****WD 55925 series****FREQUENCY RESPONSE CURVES**

Frequency response curves have been measured on an axis at a distance of 1 m with 1 W input power.



Catalogue number: 2403 251 10701  
2403 251 10702  
2403 251 10703  
2403 251 10704

**Philips Components**

Data sheet	
status	Product specification
date of issue	May 1990

# WD 51921/M4W

## 5 1/4" Full Range Round Loudspeaker

**APPLICATION**

Full range loudspeaker for audio applications.

**DESCRIPTION**

• Frame	material: plastic finish: none
• Membrane	colour: black
• Suspension	material: non woven
• Dust cap	material: plastic colour: black
• Gasket	none

**TECHNICAL DATA**

<b>Unmounted</b>		
Rated impedance	4	$\Omega$
Voice coil resistance	3.6	$\Omega$
Resonance frequency	80	Hz
Sweep voltage	2.45	V
Magnetic flux density	1.02	T
Loudspeaker mass	170	g
<b>Mounted</b>		
Characteristic sensitivity	91	dB/W/m
Maximum noise power (PHC)	6.0	W

5 1/4" Full Range Round Loudspeaker

WD 51921/M4W

MECHANICAL DATA

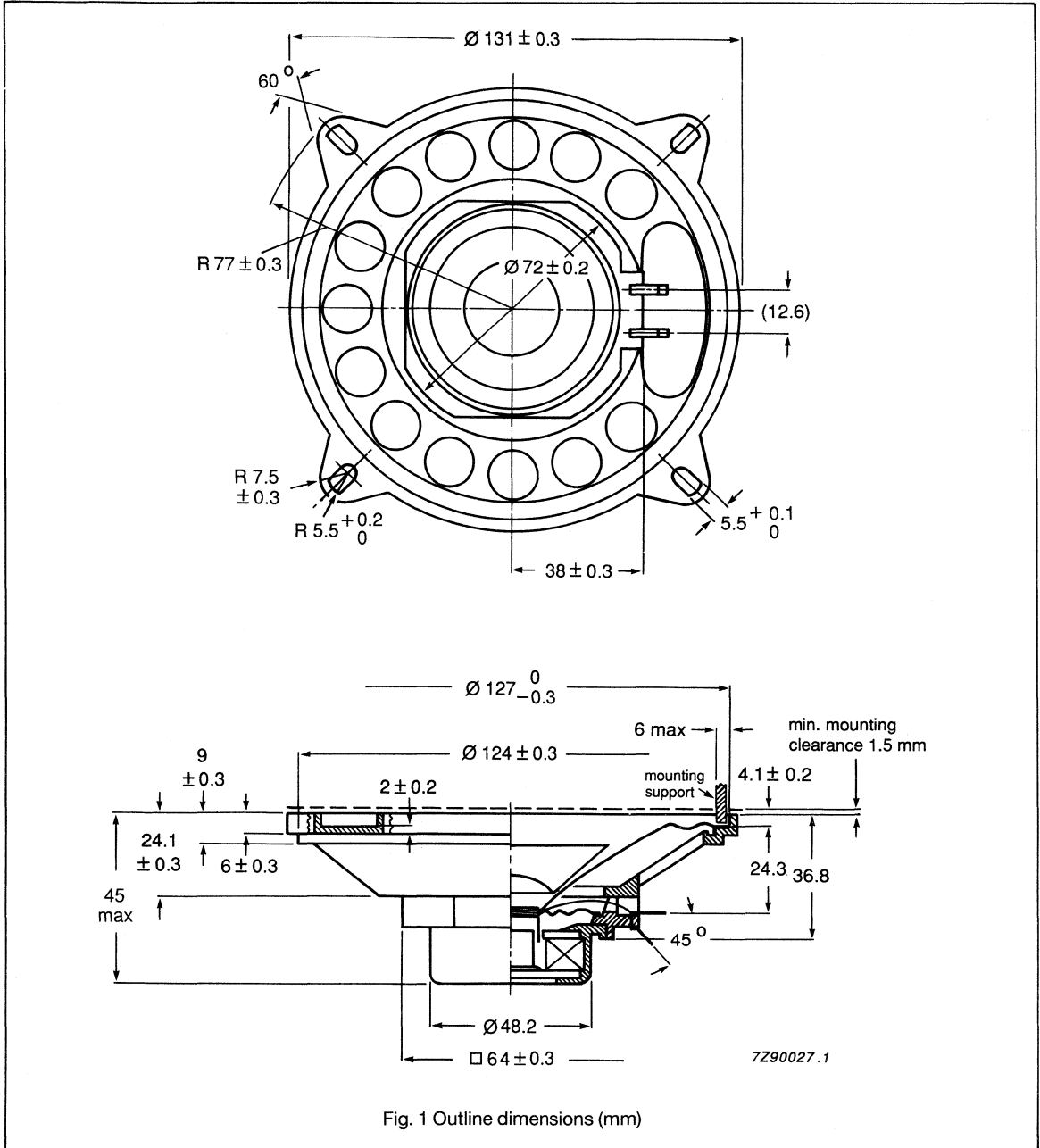
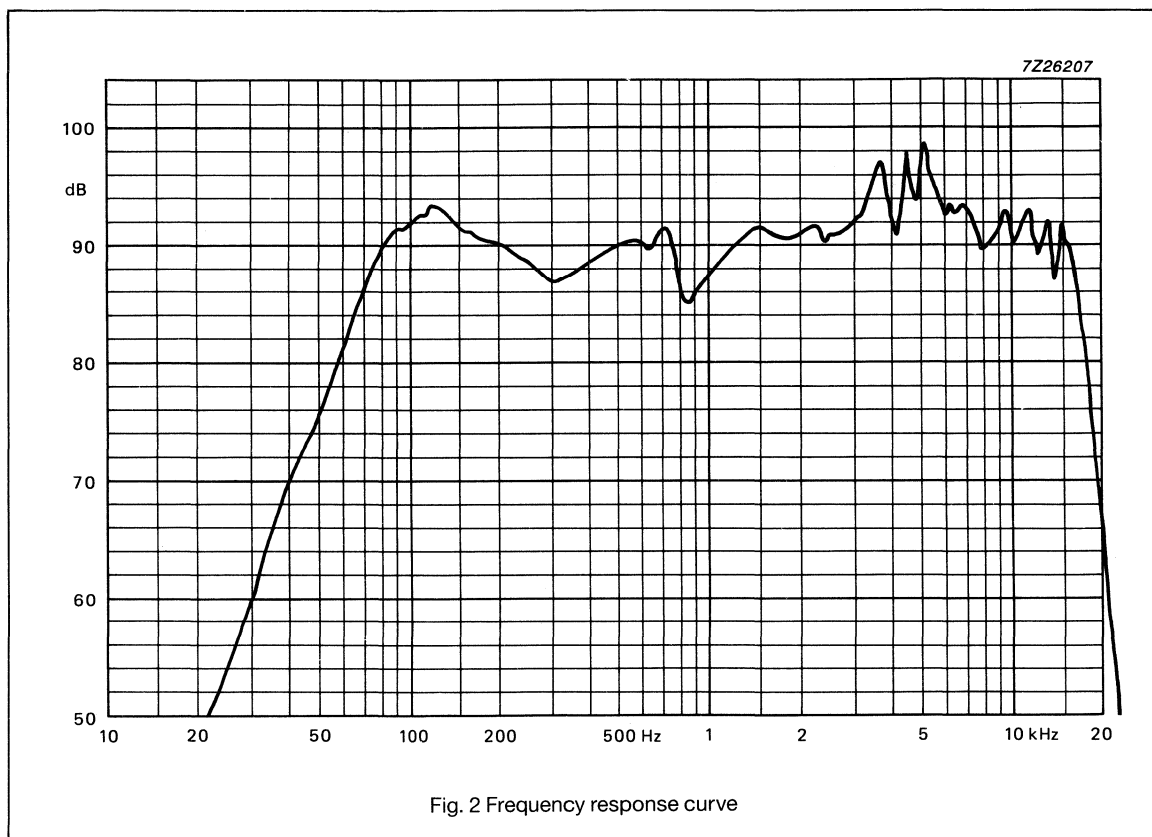


Fig. 1 Outline dimensions (mm)

**5 1/4" Full Range Round Loudspeaker****WD 51921/M4W****FREQUENCY RESPONSE CURVES**

Frequency response curves have been measured on an axis at a distance of 1 m with 1 W input power.



Catalogue number: 2403 253 11301

**Philips Components**

<b>Data sheet</b>	
<b>status</b>	Product specification
<b>date of issue</b>	May 1990

# WD 55925/X4W

## 5 1/4" Full Range Round Loudspeaker

**APPLICATION**

Full range loudspeaker for audio applications.

**DESCRIPTION**

• Frame	material: plastic finish: none
• Membrane	colour: black
• Suspension	material: non woven
• Dust cap	material: plastic colour: black
• Gasket	none

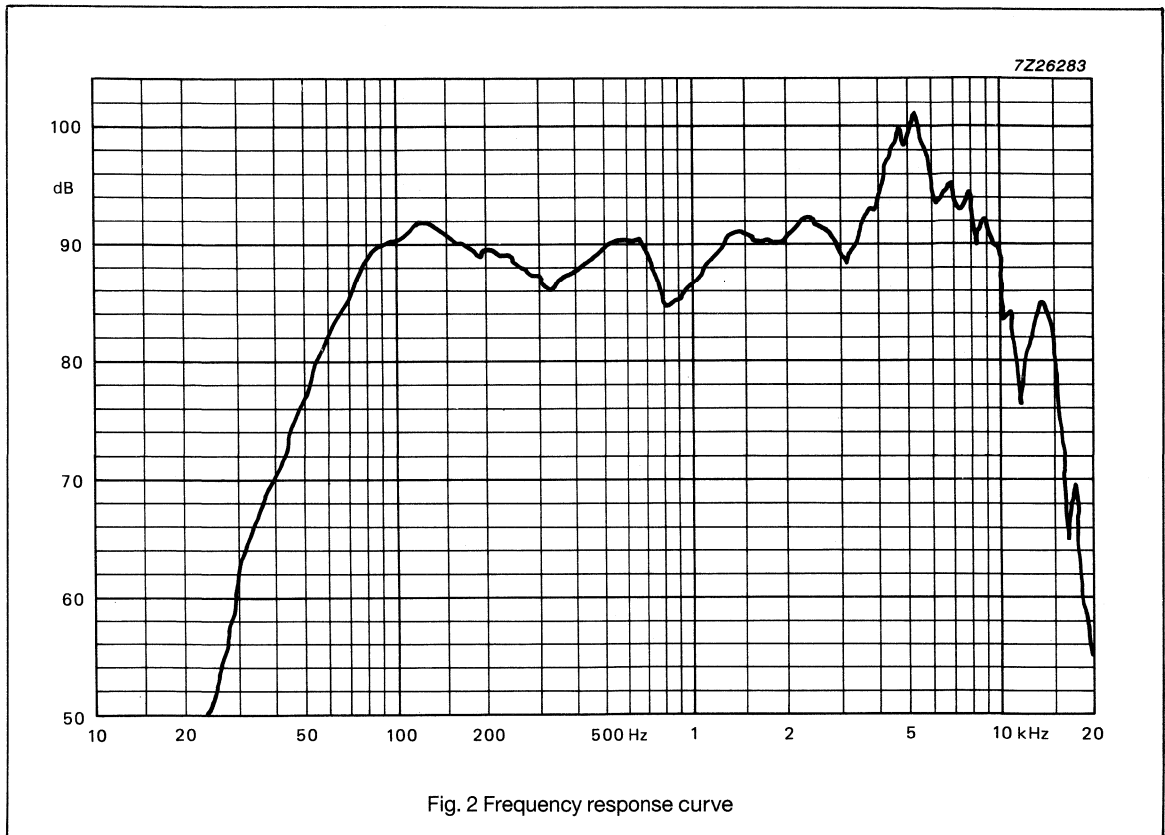
**TECHNICAL DATA**

<b>Unmounted</b>		
Rated impedance	4	$\Omega$
Voice coil resistance	3.6	$\Omega$
Resonance frequency	80	Hz
Sweep voltage	2.45	V
Magnetic flux density	1.02	T
Loudspeaker mass	168	g
<b>Mounted</b>		
Characteristic sensitivity	91	dB/W/m
Maximum noise power (PHC)	9.0	W



**5 1/4" Full Range Round Loudspeaker****WD 55925/X4W****FREQUENCY RESPONSE CURVES**

Frequency response curves have been measured on an axis at a distance of 1 m with 1 W input power.



Catalogue number: 2403 253 11401

Data sheet	
status	Product specification
date of issue	May 1990

# WD 55925/M4W

## 5 1/4" Full Range Round Loudspeaker

### APPLICATION

Full range loudspeaker for audio applications.

### DESCRIPTION

• Frame	material: plastic finish: none
• Membrane	colour: black
• Suspension	material: non woven
• Dust cap	material: plastic colour: black
• Gasket	none

### TECHNICAL DATA

<b>Unmounted</b>		
Rated impedance	4	$\Omega$
Voice coil resistance	3.6	$\Omega$
Resonance frequency	80	Hz
Sweep voltage	2.45	V
Magnetic flux density	1.02	T
Loudspeaker mass	168	g
<b>Mounted</b>		
Characteristic sensitivity	91	dB/W/m
Maximum noise power (PHC)	9.0	W



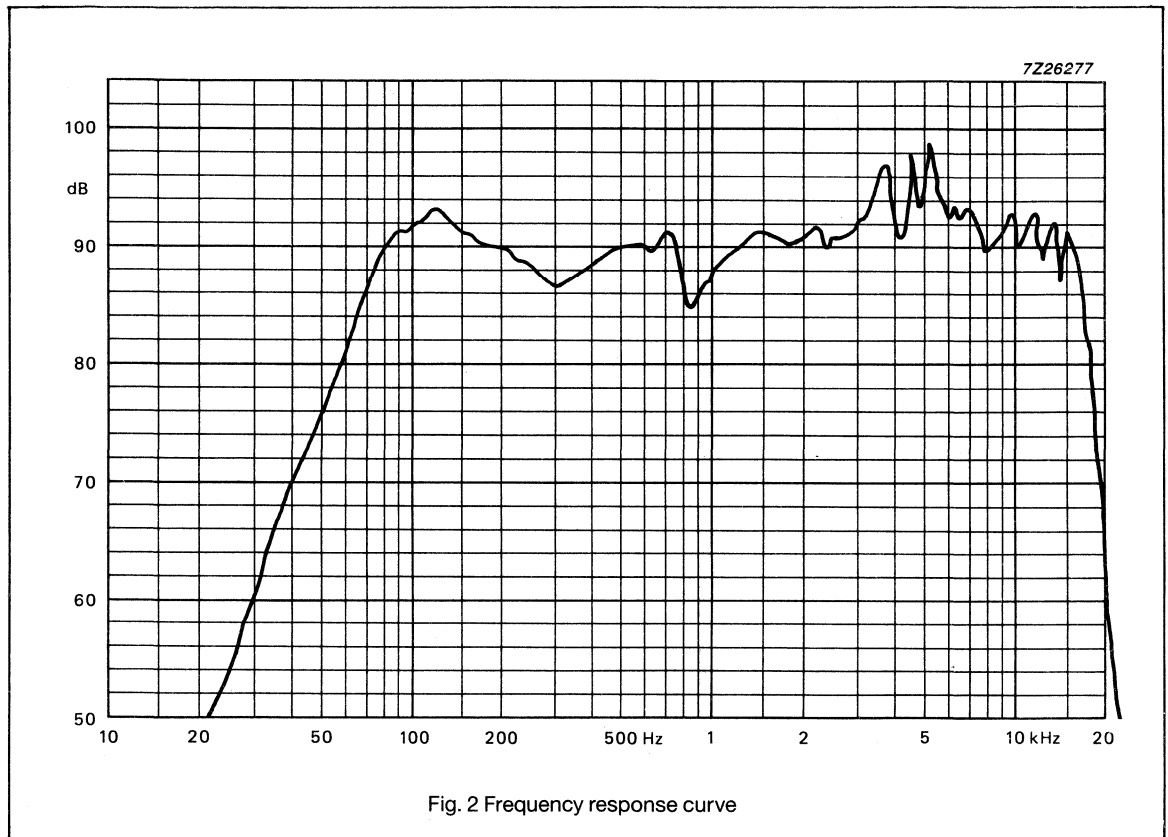


# 5 1/4" Full Range Round Loudspeaker

**WD 55925/M4W**

## FREQUENCY RESPONSE CURVES

Frequency response curves have been measured on an axis at a distance of 1 m with 1 W input power.



Catalogue number: 2403 253 11501

Data sheet	
status	Product specification
date of issue	November 1989

# WD 50945 series

## 5 1/4" Full Range Round Loudspeaker

### APPLICATION

Full range loudspeaker for video applications.

### DESCRIPTION

• Frame	material: plastic finish: none
• Membrane	colour: black
• Suspension	material: paper
• Dust cap	material: plastic colour: black
• Gasket	none

### TECHNICAL DATA

	version				unit
	X4	X8	X15	X25	
<b>Unmounted</b>					
Rated impedance	4	8	15	25	Ω
Voice coil resistance	3.6	7.2	13.5	22.5	Ω
Resonance frequency	130	130	130	130	Hz
Sweep voltage	3.74	5.29	7.24	9.35	V
Magnetic flux density	1.02	1.02	1.02	1.02	T
Loudspeaker mass	175	175	175	175	g
<b>Mounted</b>					
Characteristic sensitivity	92				dB/W/m
Maximum noise power	7.0				W

# 5 1/4" Full Range Round Loudspeaker

# WD 50945 series

## MECHANICAL DATA

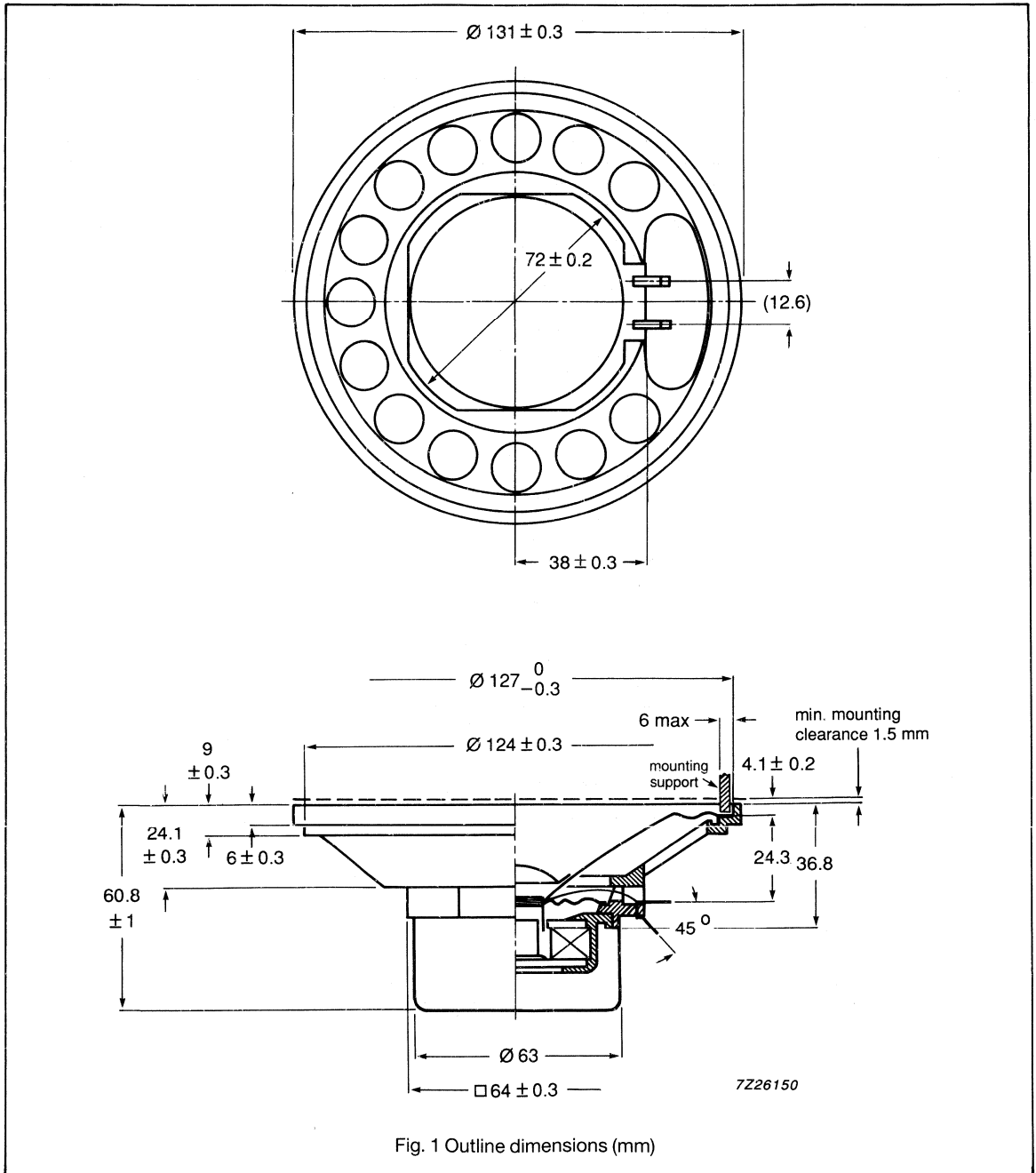
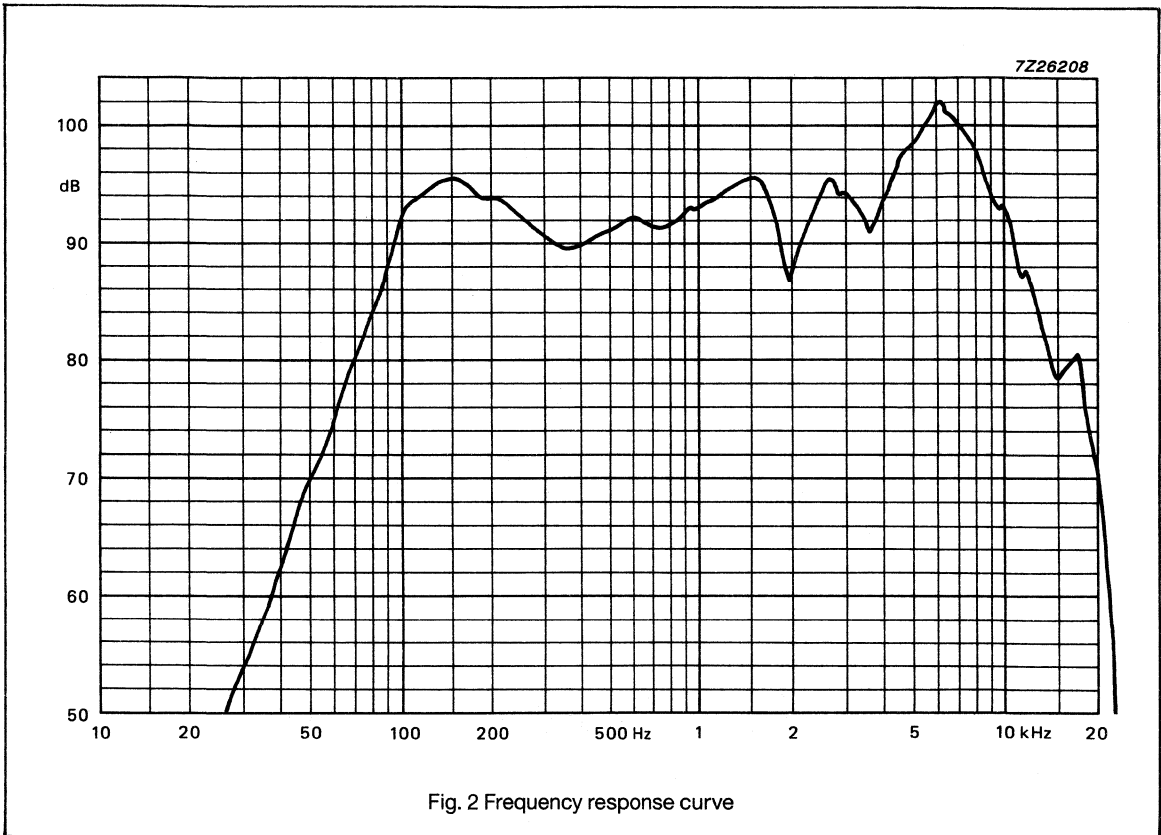


Fig. 1 Outline dimensions (mm)

**5 1/4" Full Range Round Loudspeaker****WD 50945 series****FREQUENCY RESPONSE CURVES**

Frequency response curves have been measured on an axis at a distance of 1 m with 1 W input power.



Catalogue number: 2403 253 10801  
2403 253 10802  
2403 253 10803  
2403 253 10804

## Philips Components

Data sheet	
status	Product specification
date of issue	November 1989

# WD 55945 series

## 5 1/4" Full Range Round Loudspeaker

### APPLICATION

Full range loudspeaker for video applications.

### DESCRIPTION

• Frame	material: plastic finish: none
• Membrane	colour: black
• Suspension	material: paper
• Dust cap	material: plastic colour: black
• Gasket	none

### TECHNICAL DATA

	version				unit
	X4	X8	X15	X25	
<b>Unmounted</b>					
Rated impedance	4	8	15	25	$\Omega$
Voice coil resistance	3.6	7.2	13.5	22.5	$\Omega$
Resonance frequency	130	130	130	130	Hz
Sweep voltage	3.74	5.29	7.24	9.35	V
Magnetic flux density	1.02	1.02	1.02	1.02	T
Loudspeaker mass	175	175	175	175	g
<b>Mounted</b>					
Characteristic sensitivity		92			dB/W/m
Maximum noise power		7.0			W

5 1/4" Full Range Round Loudspeaker

WD 55945 series

MECHANICAL DATA

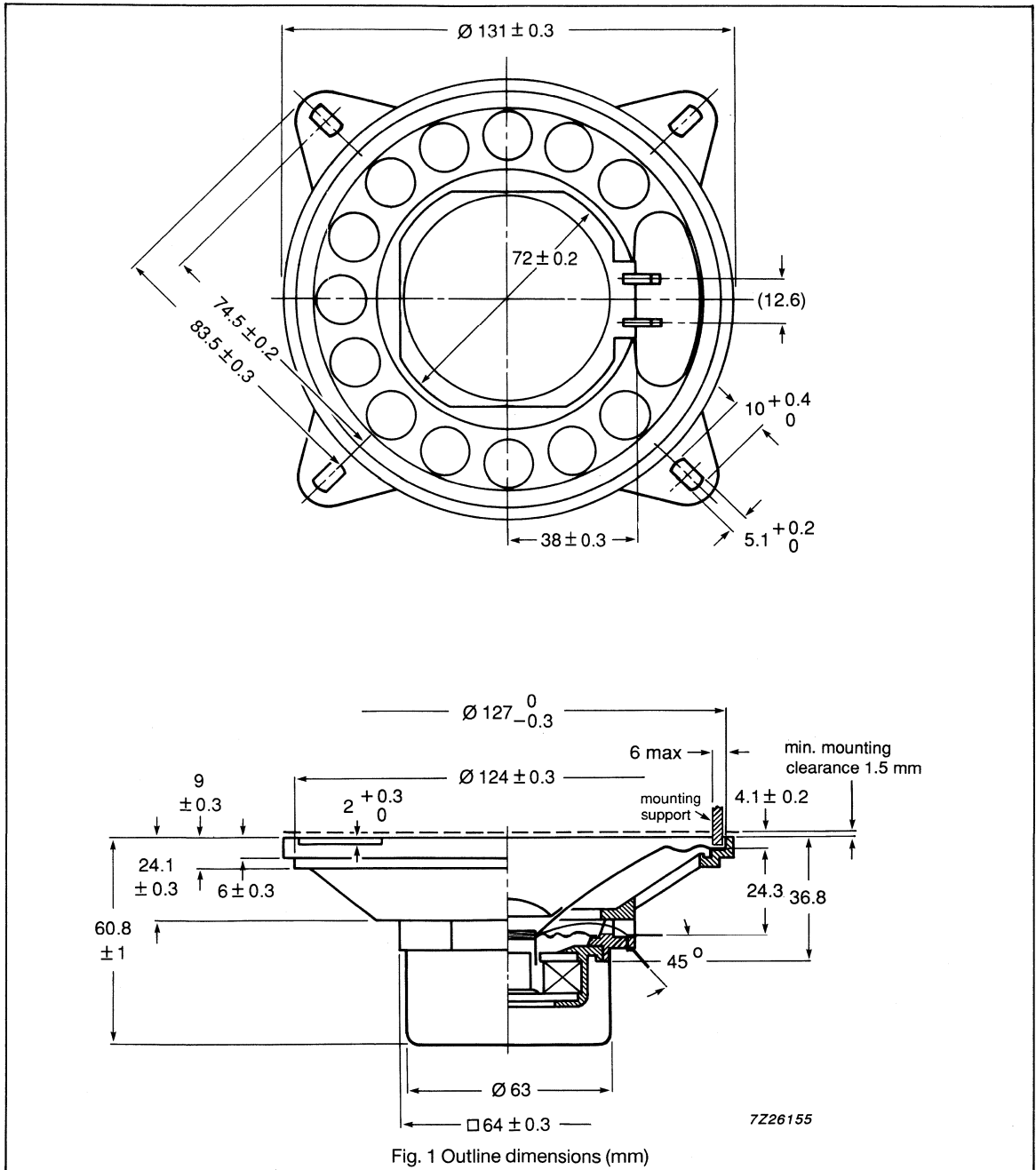
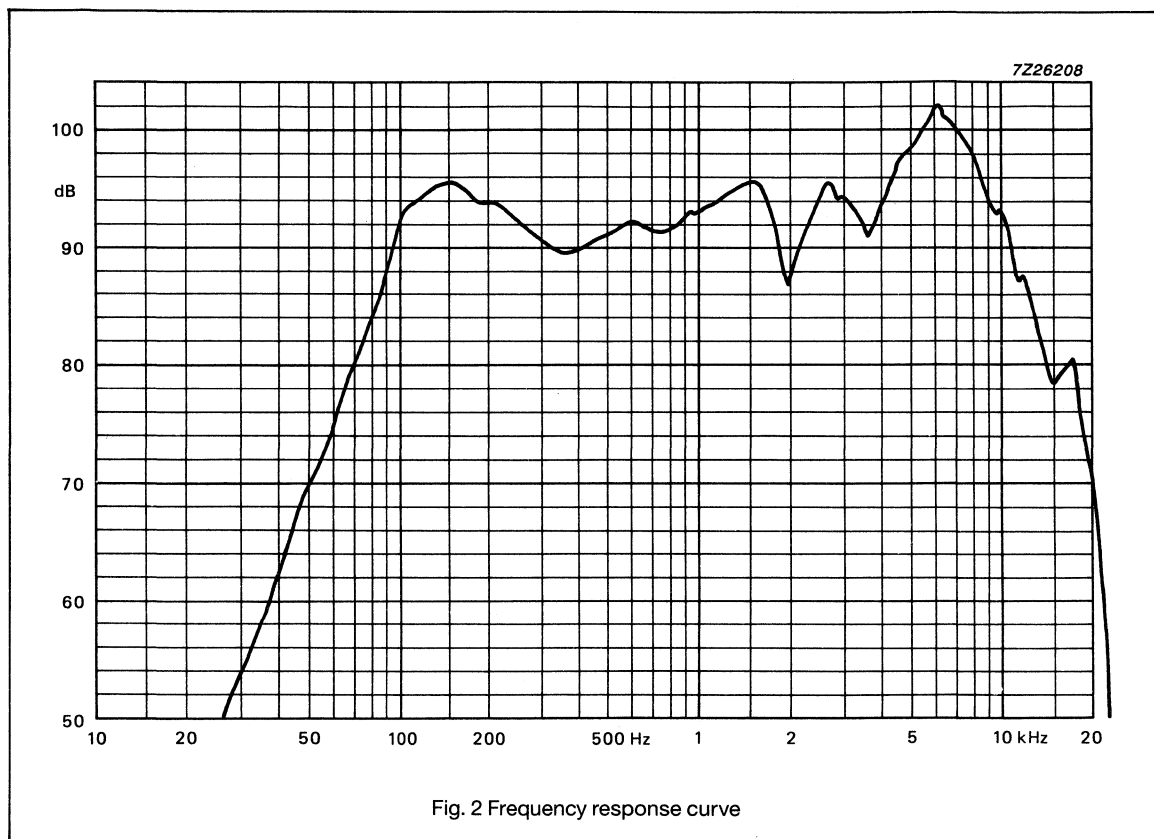


Fig. 1 Outline dimensions (mm)

**5 1/4" Full Range Round Loudspeaker****WD 55945 series****FREQUENCY RESPONSE CURVES**

Frequency response curves have been measured on an axis at a distance of 1 m with 1 W input power.



Catalogue number: 2403 253 10901  
2403 253 10902  
2403 253 10903  
2403 253 10904



**Philips Components**

Data sheet	
status	Product specification
date of issue	November 1989

# WD 50965 series

## 5 1/4" Full Range Round Loudspeaker

**APPLICATION**

Full range loudspeaker for video applications.

**DESCRIPTION**

• Frame	material: plastic finish: none
• Membrane	colour: black
• Suspension	material: paper
• Dust cap	material: plastic colour: black
• Gasket	none

**TECHNICAL DATA**

	version				unit
	X4	X8	X15	X25	
<b>Unmounted</b>					
Rated impedance	4	8	15	25	$\Omega$
Voice coil resistance	3.6	7.2	13.5	22.5	$\Omega$
Resonance frequency	130	130	130	130	Hz
Sweep voltage	3.74	5.29	7.24	9.35	V
Magnetic flux density	1.02	1.02	1.02	1.02	T
Loudspeaker mass	187	187	187	187	g
<b>Mounted</b>					
Characteristic sensitivity		92			dB/W/m
Maximum noise power		7.0			W

5 1/4" Full Range Round Loudspeaker

WD 50965 series

MECHANICAL DATA

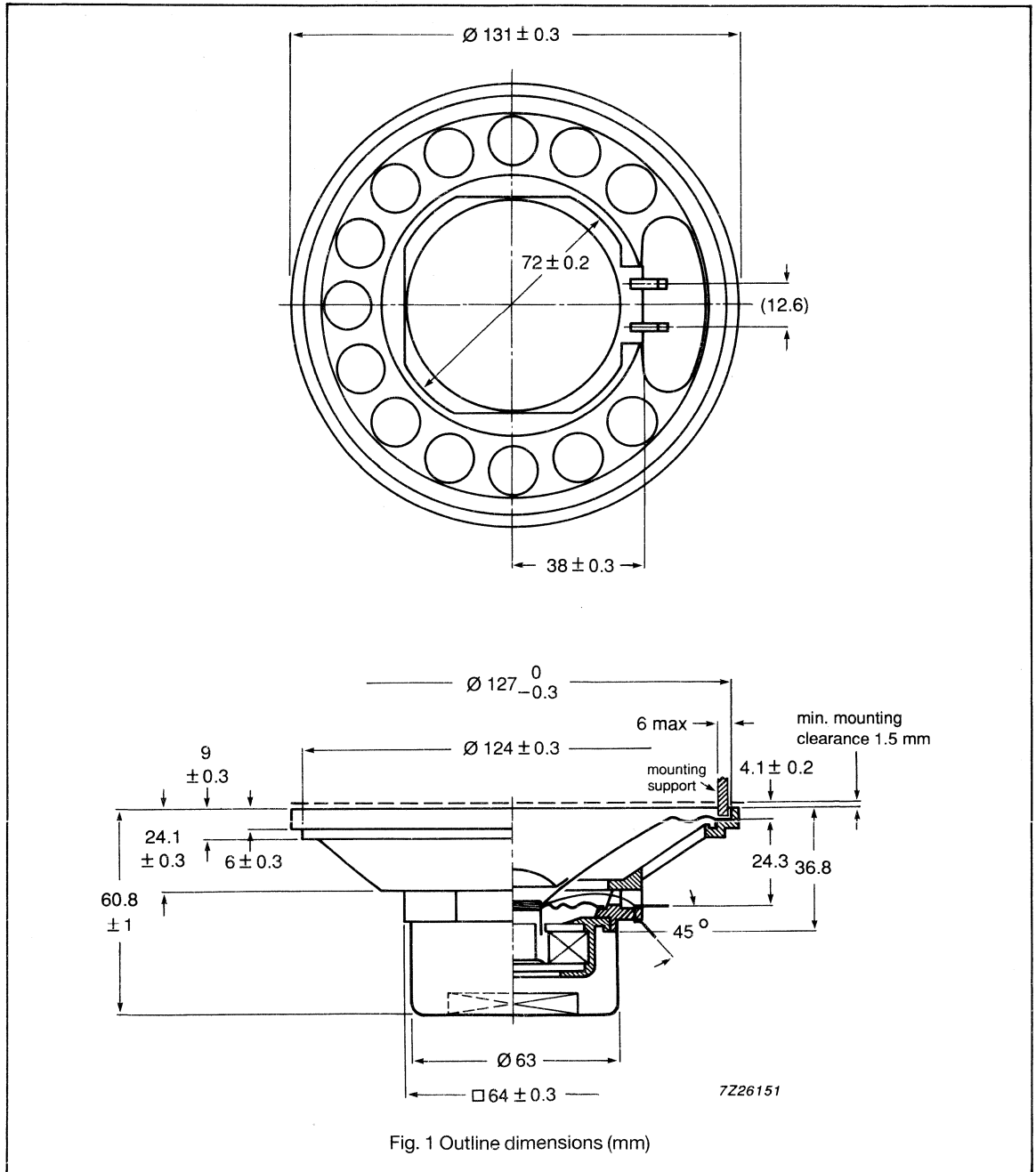
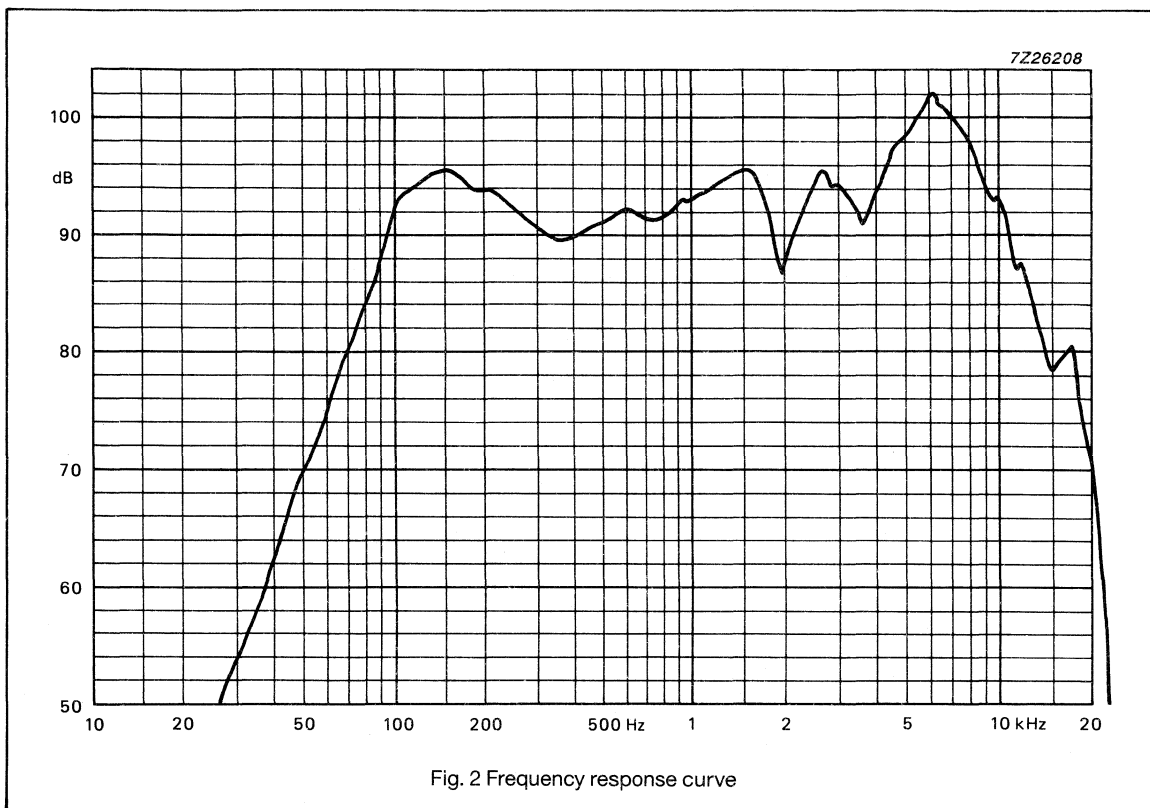


Fig. 1 Outline dimensions (mm)

**5 1/4" Full Range Round Loudspeaker****WD 50965 series****FREQUENCY RESPONSE CURVES**

Frequency response curves have been measured on an axis at a distance of 1 m with 1 W input power.



Catalogue number: 2403 253 11001

2403 253 11002

2403 253 11003

2403 253 11004

## Philips Components

Data sheet	
status	Product specification
date of issue	May 1990

# WD 55965 series

## 5 1/4" Full Range Round Loudspeaker

### APPLICATION

Full range loudspeaker for video applications.

### DESCRIPTION

• Frame	material: plastic finish: none
• Membrane	colour: black
• Suspension	material: paper
• Dust cap	material: plastic colour: black
• Gasket	none

### TECHNICAL DATA

	version				unit
	X4	X8	X15	X25	
<b>Unmounted</b>					
Rated impedance	4	8	15	25	$\Omega$
Voice coil resistance	3.6	7.2	13.5	22.5	$\Omega$
Resonance frequency	130	130	130	130	Hz
Sweep voltage	3.74	5.29	7.24	9.35	V
Magnetic flux density	1.02	1.02	1.02	1.02	T
Loudspeaker mass	187	187	187	187	g
<b>Mounted</b>					
Characteristic sensitivity		92			dB/W/m
Maximum noise power		7.0			W

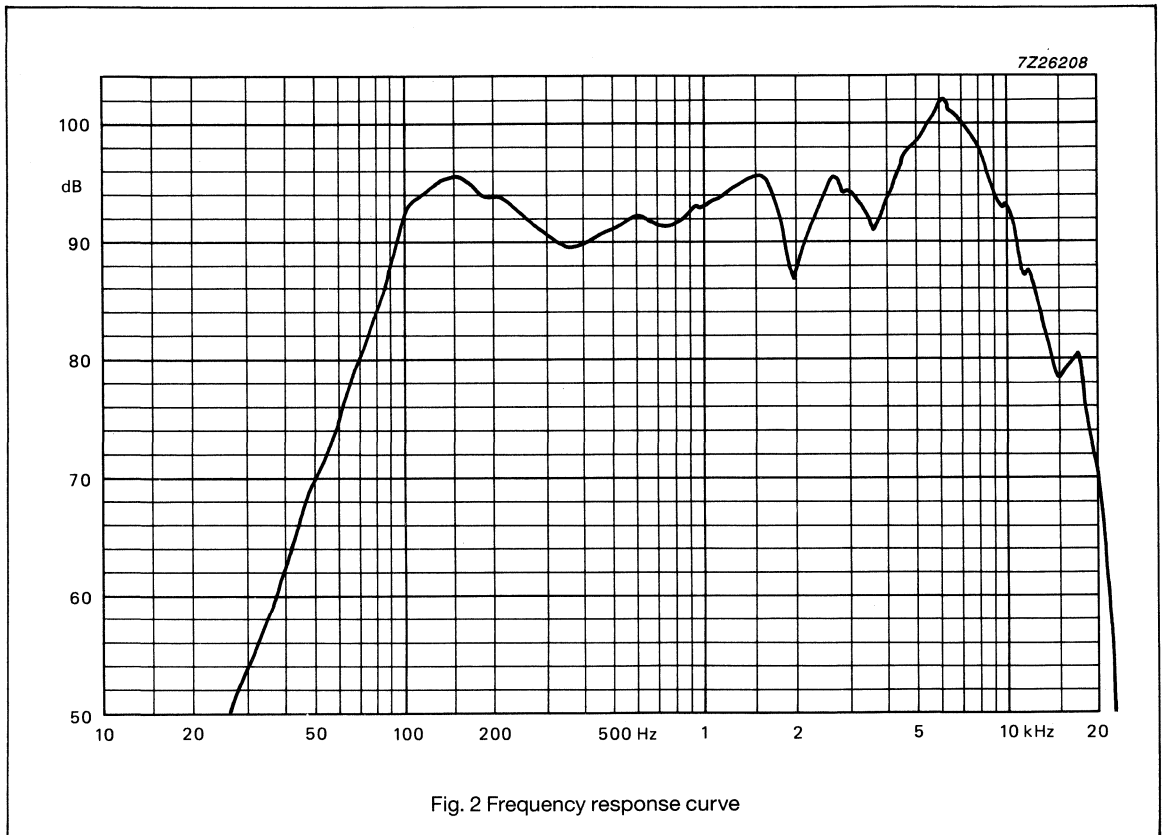


# 5 1/4" Full Range Round Loudspeaker

# WD 55965 series

## FREQUENCY RESPONSE CURVES

Frequency response curves have been measured on an axis at a distance of 1 m with 1 W input power.



- Catalogue number: 2403 253 11101
- 2403 253 11102
- 2403 253 11103
- 2403 253 11104

**Philips Components**

Data sheet	
status	Product specification
date of issue	May 1990

# AD 51400/M4

## 5 1/4" Full Range Round Loudspeaker

**APPLICATION**

Full range loudspeaker for audio applications.

**DESCRIPTION**

• Frame	material: steel finish: zinc yellow
• Membrane	colour: black
• Suspension	material: paper
• Dust cap	material: paper colour: black
• Gasket	: none

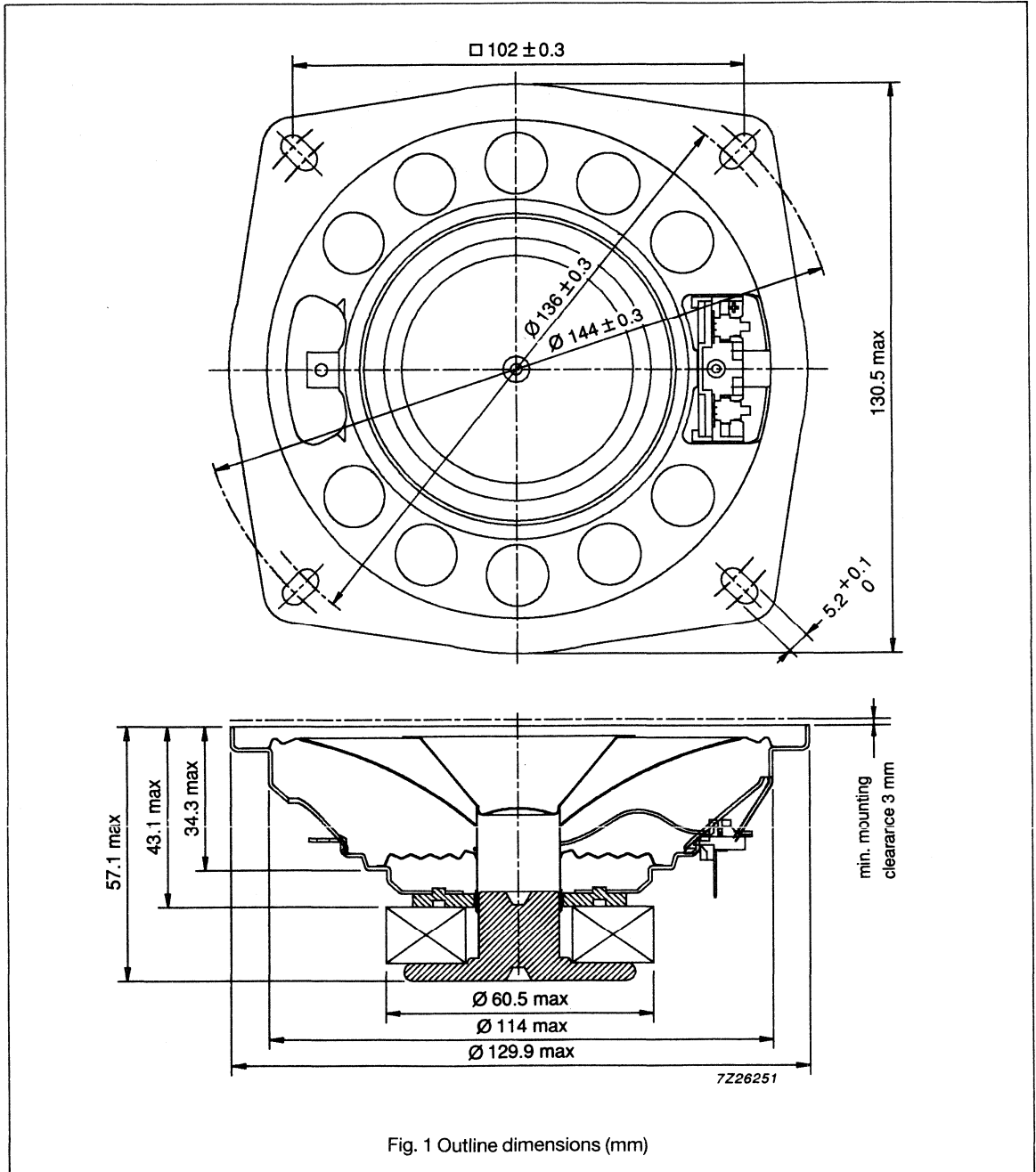
**TECHNICAL DATA**

<b>Unmounted</b>		
Rated impedance	4	$\Omega$
Voice coil resistance	3.8	$\Omega$
Resonance frequency	130	Hz
Sweep voltage	3.5	V
Magnetic flux density	1.15	T
Loudspeaker mass	395	g
<b>Mounted</b>		
Characteristic sensitivity	92	dB/W/m
Maximum noise power (PHC)	6.0	W

5 1/4" Full Range Round Loudspeaker

AD 51400/M4

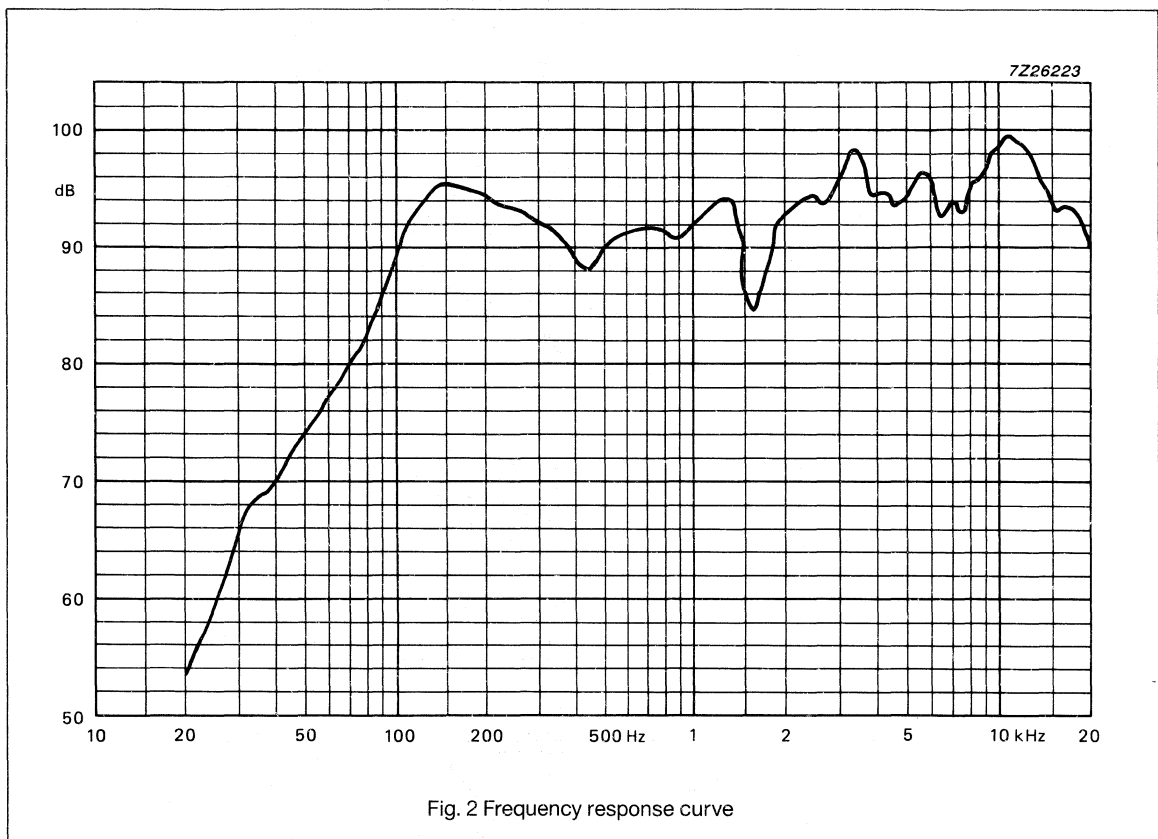
MECHANICAL DATA





**5 1/4" Full Range Round Loudspeaker****AD 51400/M4****FREQUENCY RESPONSE CURVES**

Frequency response curves have been measured on an axis at a distance of 1 m with 1 W input power.



Catalogue number: 2422 257 35812

**Philips Components**

<b>Data sheet</b>	
<b>status</b>	Product specification
<b>date of issue</b>	May 1990

# AD 51410/M4K

## 5 1/4" Full Range Round Loudspeaker

**APPLICATION**

Full range loudspeaker for audio applications.

**DESCRIPTION**

• Frame	material: steel finish: zinc black
• Membrane	colour: black
• Suspension	material: textile
• Dust cap	material: paper colour: black
• Gasket	: none

**TECHNICAL DATA**

<b>Unmounted</b>		
Rated impedance	4	$\Omega$
Voice coil resistance	3.2	$\Omega$
Resonance frequency	90	Hz
Sweep voltage	5.5	V
Magnetic flux density	1.15	T
Loudspeaker mass	357	g
<b>Mounted</b>		
Characteristic sensitivity	90	dB/W/m
Maximum noise power (PHC)	15.0	W

5 1/4" Full Range Round Loudspeaker

AD 51410/M4K

MECHANICAL DATA

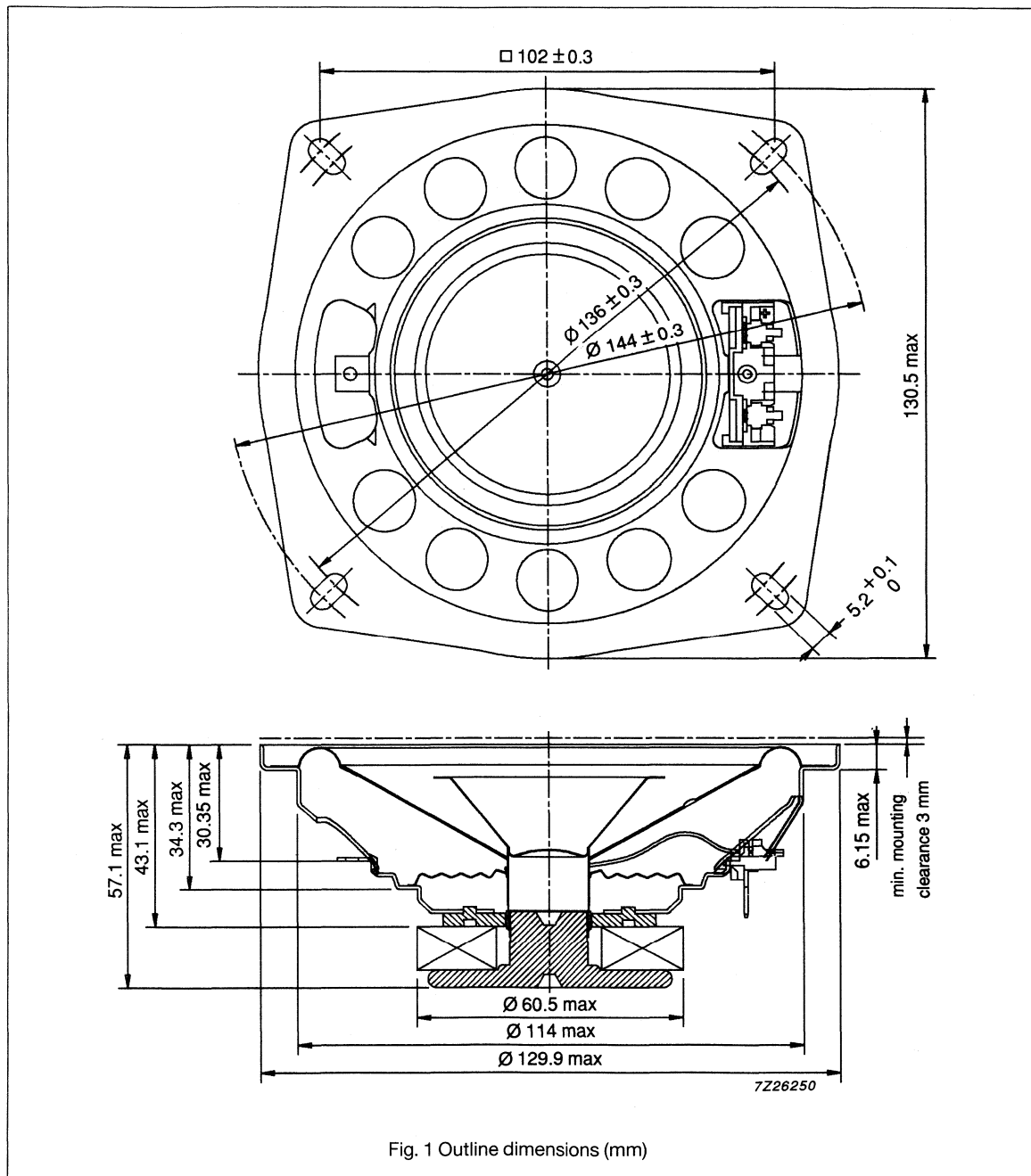


Fig. 1 Outline dimensions (mm)

**5 1/4" Full Range Round Loudspeaker****AD 51410/M4K****FREQUENCY RESPONSE CURVES**

Frequency response curves have been measured on an axis at a distance of 1 m with 1 W input power.



Catalogue number: 2422 257 45501

**Philips Components**

Data sheet	
status	Product specification
date of issue	May 1990

# WD 77725 series

## 7" Full Range Round Loudspeaker

**APPLICATION**

Full range loudspeaker for audio applications.

**DESCRIPTION**

• Frame	material: plastic finish: none
• Membrane	colour: black
• Suspension	material: paper
• Dust cap	material: plastic colour: black
• Gasket	none

**TECHNICAL DATA**

	version				unit
	X4	X8	X15	X25	
<b>Unmounted</b>					
Rated impedance	4	8	15	25	$\Omega$
Voice coil resistance	3.6	7.2	13.5	22.5	$\Omega$
Resonance frequency	100	100	100	100	Hz
Sweep voltage	3.16	4.47	6.12	7.9	V
Magnetic flux density	0.74	0.74	0.74	0.74	T
Loudspeaker mass	106	106	106	106	g
<b>Mounted</b>					
Characteristic sensitivity		88			dB/W/m
Maximum noise power		5.0			W

7" Full Range Round Loudspeaker

WD 77725 series

MECHANICAL DATA

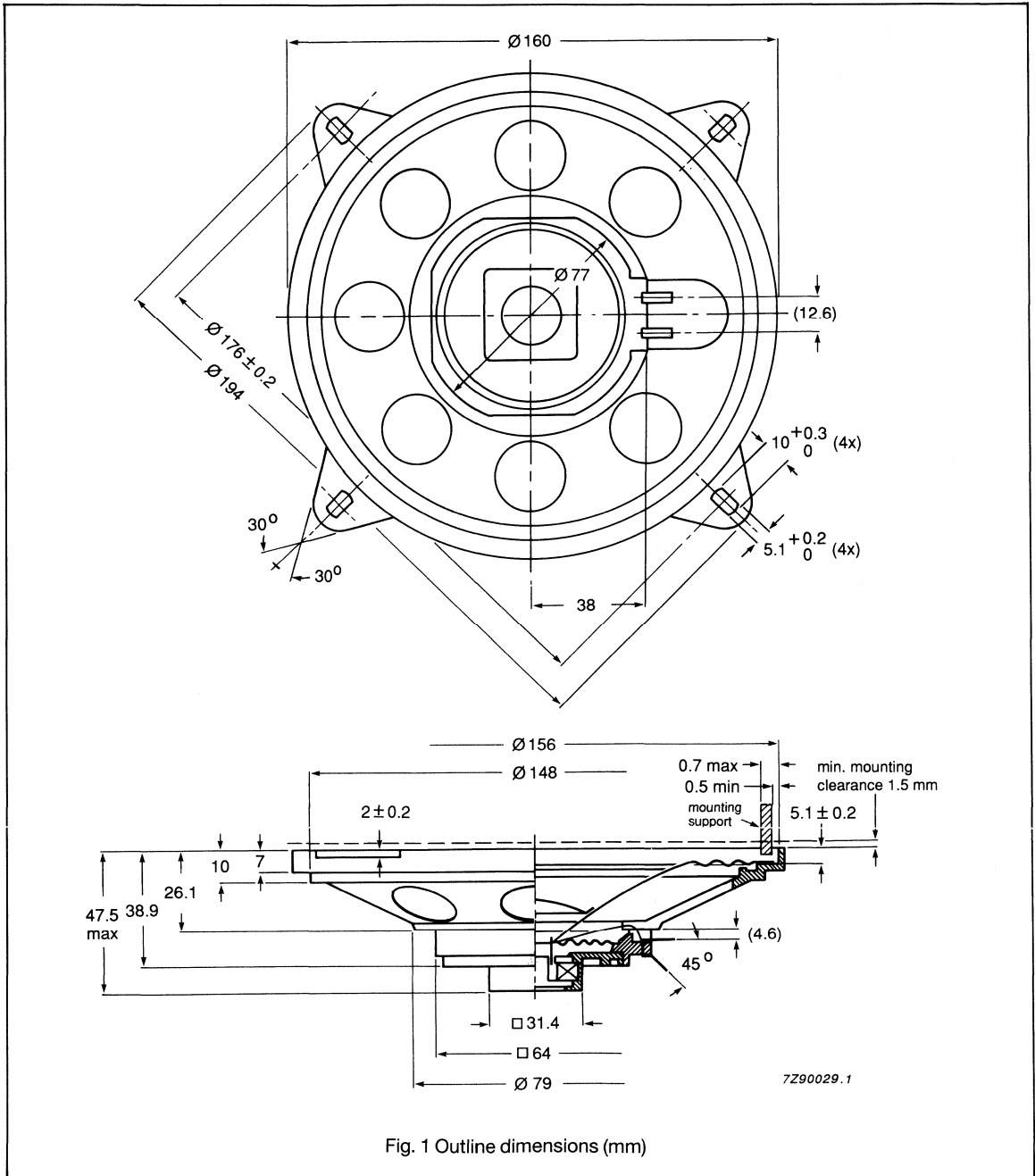
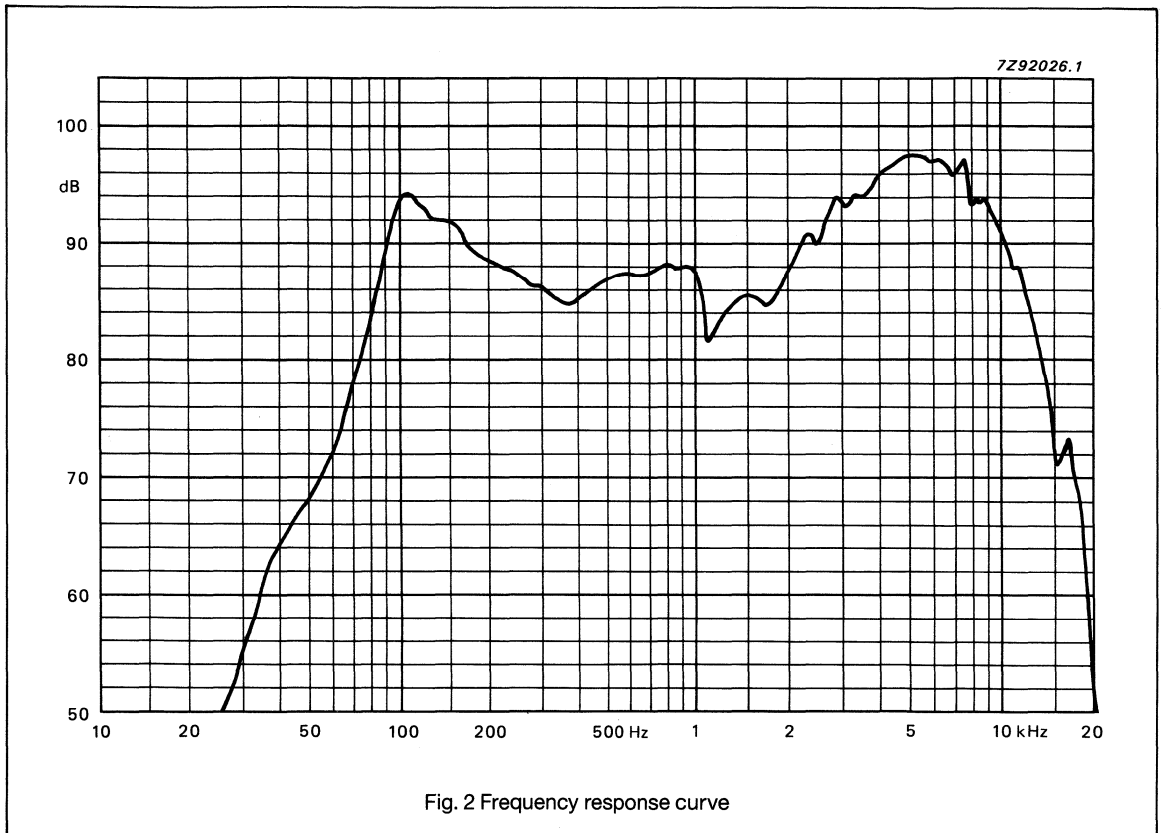


Fig. 1 Outline dimensions (mm)

**7" Full Range Round Loudspeaker****WD 77725 series****FREQUENCY RESPONSE CURVES**

Frequency response curves have been measured on an axis at a distance of 1 m with 1 W input power.



Catalogue number: 2403 251 20701  
2403 251 20702  
2403 251 20703  
2403 251 20704

## Philips Components

Data sheet	
status	Product specification
date of issue	May 1990

# WD 77745 series

## 7" Full Range Round Loudspeaker

### APPLICATION

Full range loudspeaker for video applications.

### DESCRIPTION

• Frame	material: plastic finish: none
• Membrane	colour: black
• Suspension	material: paper
• Dust cap	material: plastic colour: black
• Gasket	none

### TECHNICAL DATA

	version				unit
	X4	X8	X15	X25	
<b>Unmounted</b>					
Rated impedance	4	8	15	25	$\Omega$
Voice coil resistance	3.6	7.2	13.5	22.5	$\Omega$
Resonance frequency	100	100	100	100	Hz
Sweep voltage	2.64	3.74	5.12	6.61	V
Magnetic flux density	0.74	0.74	0.74	0.74	T
Loudspeaker mass	110	110	110	110	g
<b>Mounted</b>					
Characteristic sensitivity		88			dB/W/m
Maximum noise power		3.5			W



7" Full Range Round Loudspeaker

WD 7745 series

MECHANICAL DATA

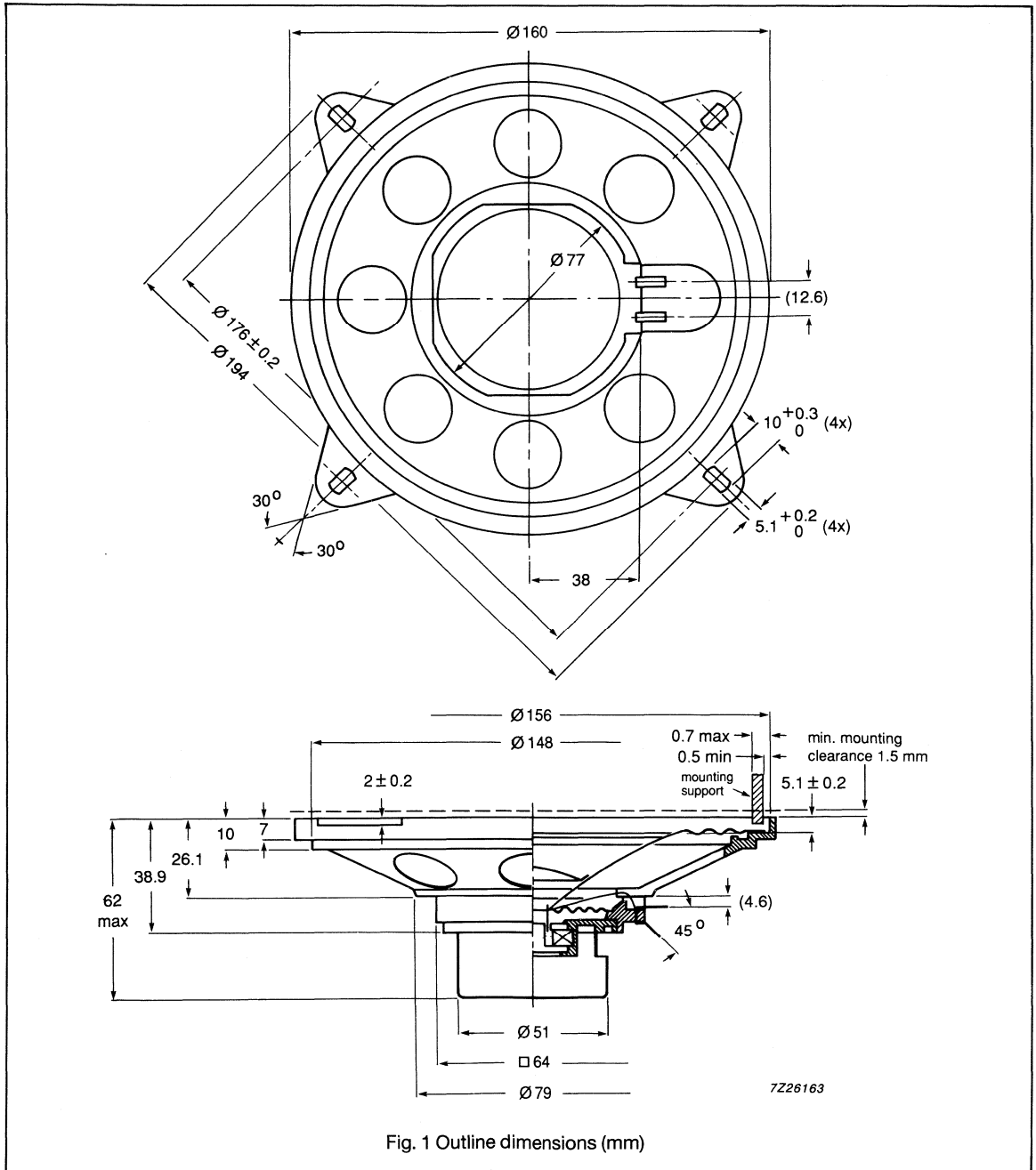


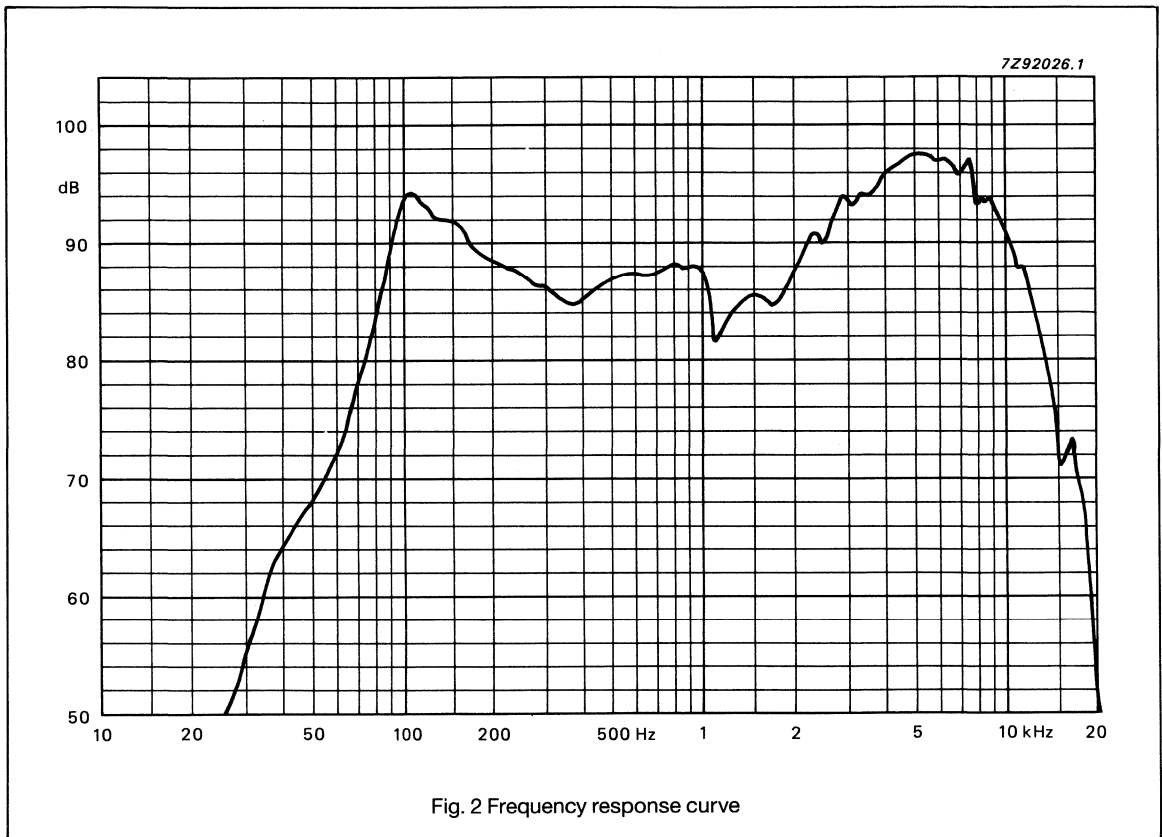
Fig. 1 Outline dimensions (mm)

## 7" Full Range Round Loudspeaker

## WD 7745 series

### FREQUENCY RESPONSE CURVES

Frequency response curves have been measured on an axis at a distance of 1 m with 1 W input power.



Catalogue number: 2403 251 20901  
2403 251 20902  
2403 251 20903  
2403 251 20904

**Philips Components**

Data sheet	
status	Product specification
date of issue	May 1990

# WD 77765 series

## 7" Full Range Round Loudspeaker

**APPLICATION**

Full range loudspeaker for video applications.

**DESCRIPTION**

• Frame	material: plastic finish: none
• Membrane	colour: black
• Suspension	material: paper
• Dust cap	material: plastic colour: black
• Gasket	none

**TECHNICAL DATA**

	version				unit
	X4	X8	X15	X25	
<b>Unmounted</b>					
Rated impedance	4	8	15	25	$\Omega$
Voice coil resistance	3.6	7.2	13.5	22.5	$\Omega$
Resonance frequency	100	100	100	100	Hz
Sweep voltage	2.64	3.74	5.12	6.61	V
Magnetic flux density	0.74	0.74	0.74	0.74	T
Loudspeaker mass	125	125	125	125	g
<b>Mounted</b>					
Characteristic sensitivity		88			dB/W/m
Maximum noise power		3.5			W

7" Full Range Round Loudspeaker

WD 7765 series

MECHANICAL DATA

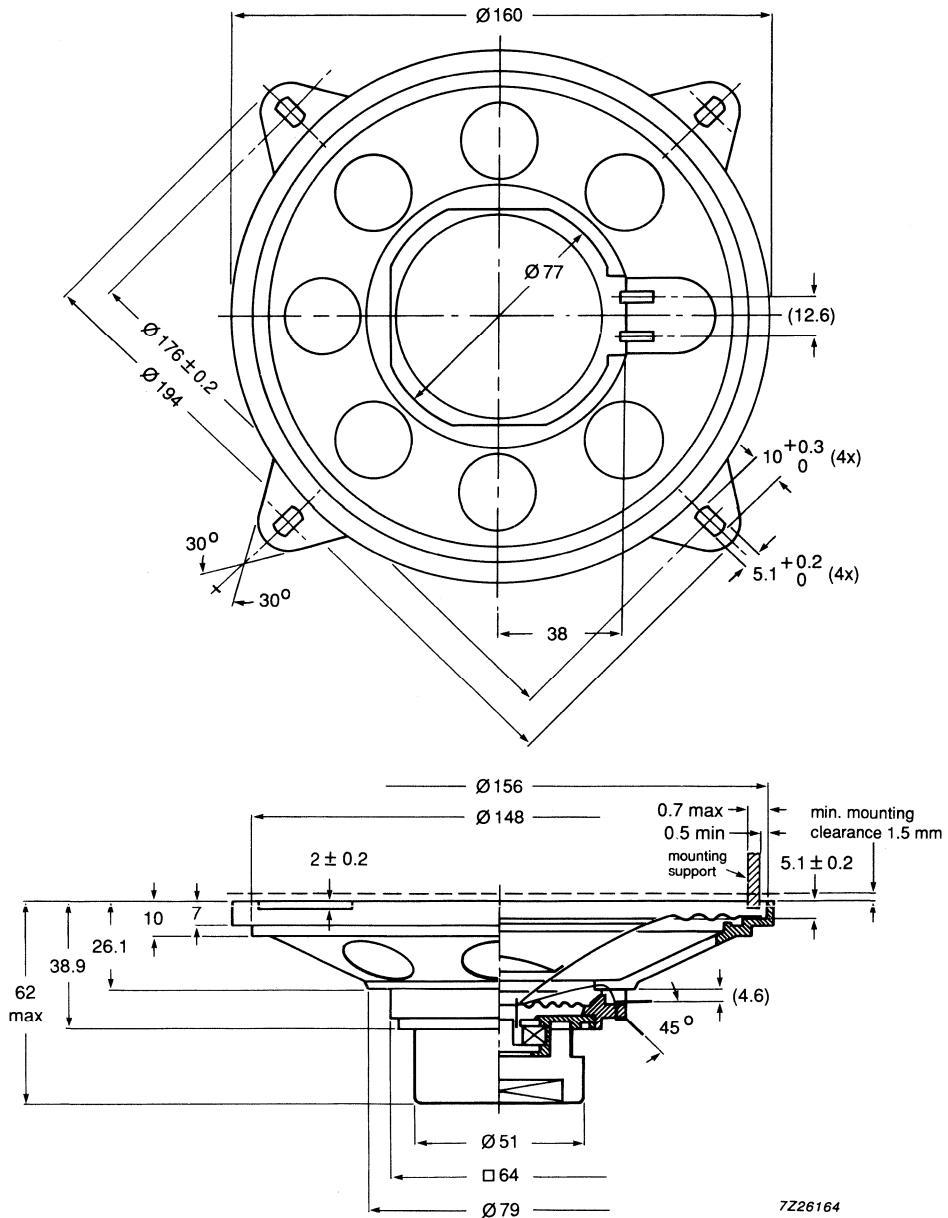
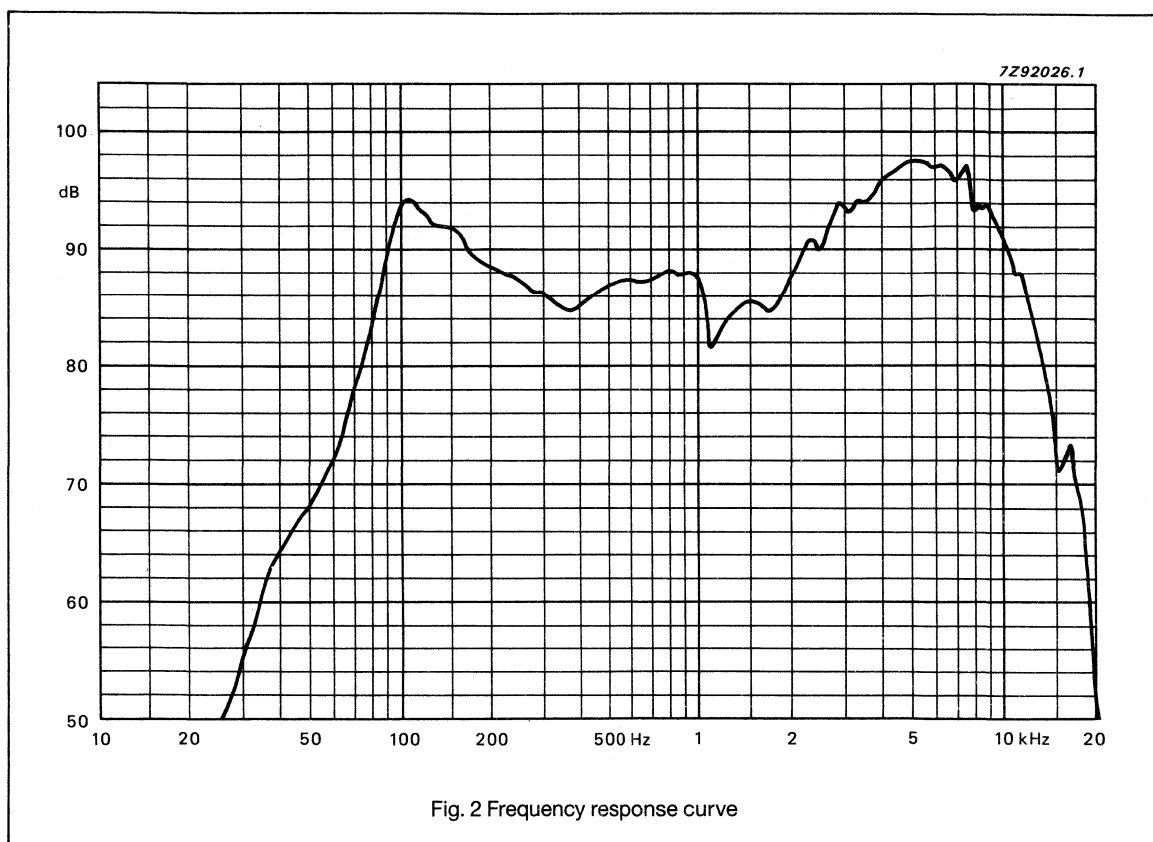


Fig. 1 Outline dimensions (mm)

7Z26164

**7" Full Range Round Loudspeaker****WD 7765 series****FREQUENCY RESPONSE CURVES**

Frequency response curves have been measured on an axis at a distance of 1 m with 1 W input power.



Catalogue number: 2403 251 21101  
2403 251 21102  
2403 251 21103  
2403 251 21104

**Philips Components**

<b>Data sheet</b>	
<b>status</b>	Product specification
<b>date of issue</b>	November 1989

# WD 70925 series

## 7" Full Range Round Loudspeaker

**APPLICATION**

Full range loudspeaker for audio applications.

**DESCRIPTION**

• Frame	material: plastic finish: none
• Membrane	colour: black
• Suspension	material: paper
• Dust cap	material: plastic colour: black
• Gasket	none

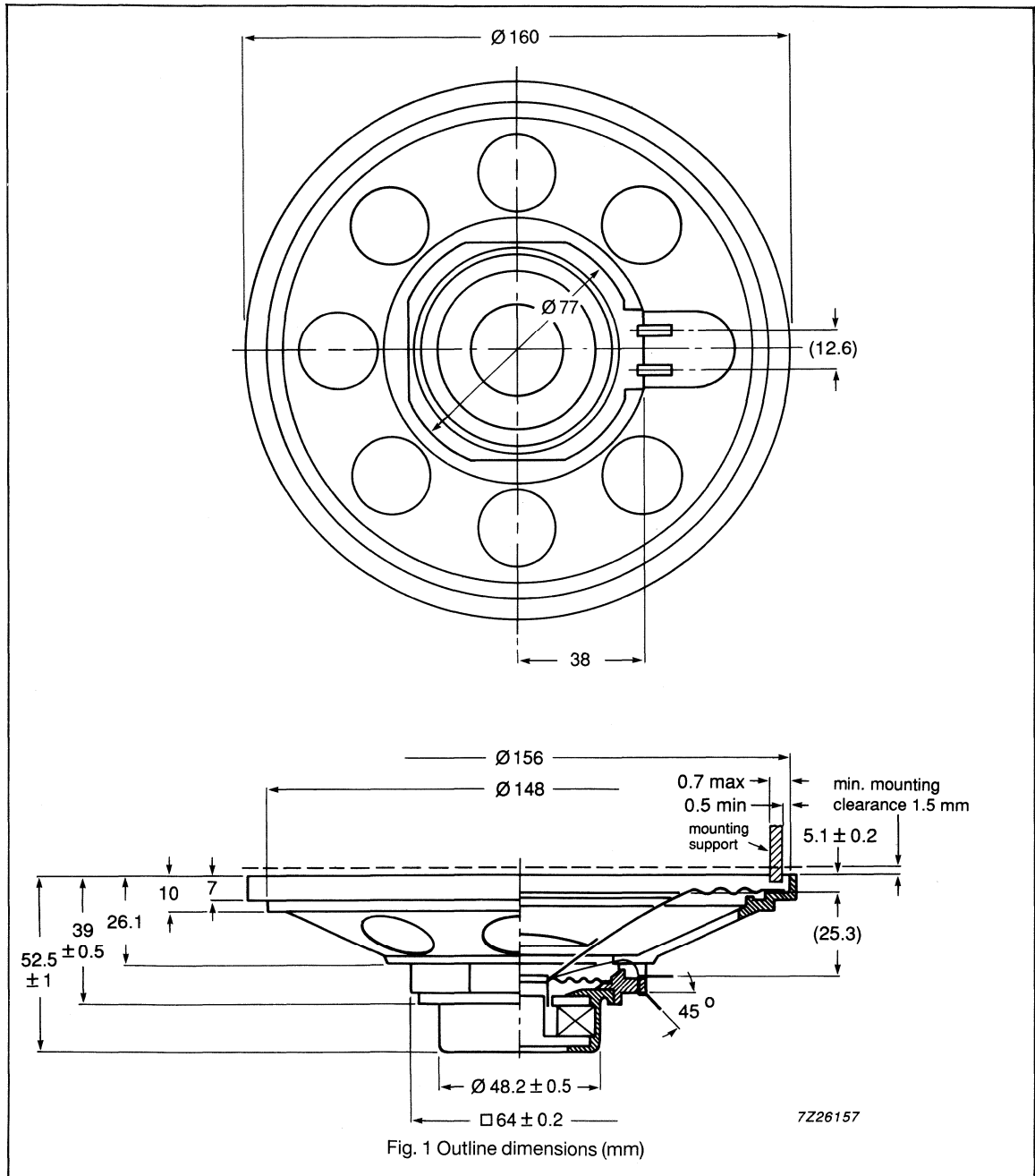
**TECHNICAL DATA**

	version				unit
	X4	X8	X15	X25	
<b>Unmounted</b>					
Rated impedance	4	8	15	25	$\Omega$
Voice coil resistance	3.6	7.2	13.5	22.5	$\Omega$
Resonance frequency	100	100	100	100	Hz
Sweep voltage	4.89	6.92	9.48	12.3	V
Magnetic flux density	1.02	1.02	1.02	1.02	T
Loudspeaker mass	186	186	186	186	g
<b>Mounted</b>					
Characteristic sensitivity					dB/W/m
Maximum noise power	12.0				W

7" Full Range Round Loudspeaker

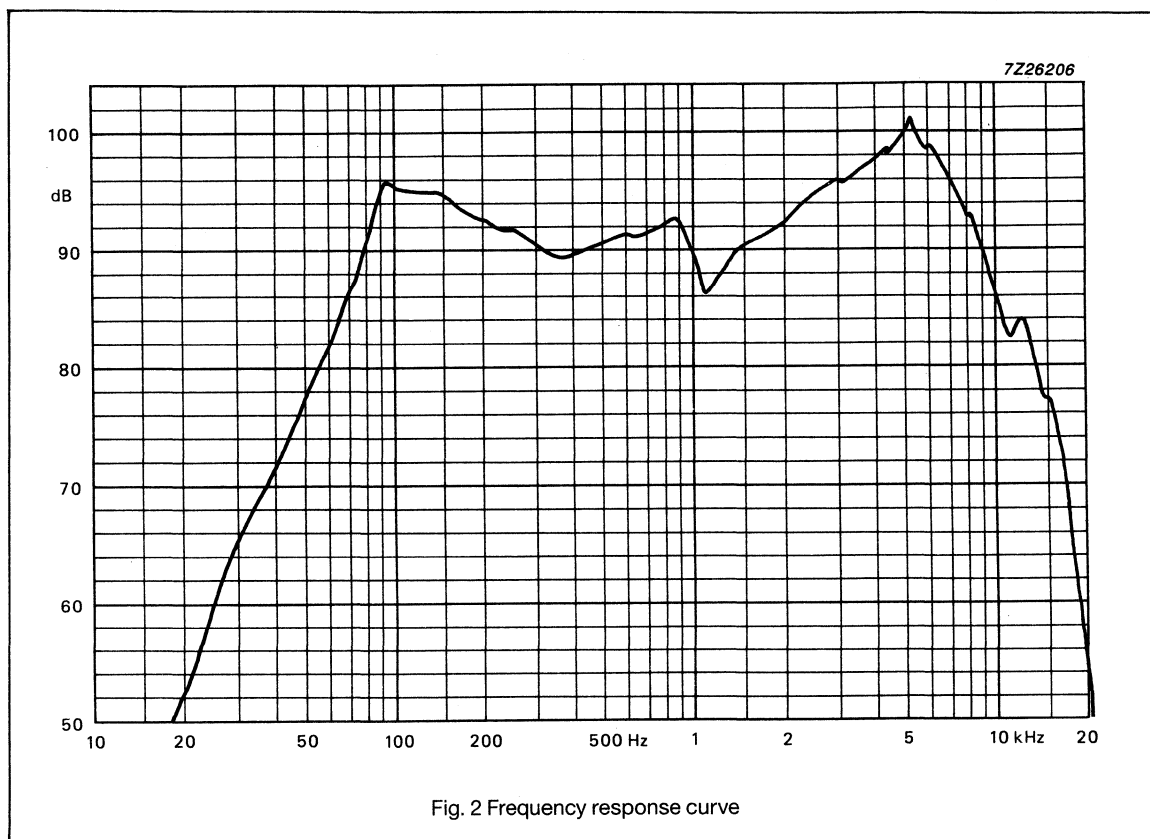
WD 70925 series

MECHANICAL DATA



**7" Full Range Round Loudspeaker****WD 70925 series****FREQUENCY RESPONSE CURVES**

Frequency response curves have been measured on an axis at a distance of 1 m with 1 W input power.



Catalogue number: 2403 253 20601  
2403 253 20602  
2403 253 20603  
2403 253 20604



Data sheet	
status	Product specification
date of issue	May 1990

# WD 77925 series

## 7" Full Range Round Loudspeaker

### APPLICATION

Full range loudspeaker for audio applications.

### DESCRIPTION

• Frame	material: plastic finish: none
• Membrane	colour: black
• Suspension	material: paper
• Dust cap	material: plastic colour: black
• Gasket	none

### TECHNICAL DATA

	version				unit
	X4	X8	X15	X25	
<b>Unmounted</b>					
Rated impedance	4	8	15	25	Ω
Voice coil resistance	3.6	7.2	13.5	22.5	Ω
Resonance frequency	100	100	100	100	Hz
Sweep voltage	4.89	6.92	9.48	12.3	V
Magnetic flux density	1.02	1.02	1.02	1.02	T
Loudspeaker mass	186	186	186	186	g
<b>Mounted</b>					
Characteristic sensitivity		92			dB/W/m
Maximum noise power		12.0			W



**7" Full Range Round Loudspeaker****WD 77925 series****FREQUENCY RESPONSE CURVES**

Frequency response curves have been measured on an axis at a distance of 1 m with 1 W input power.

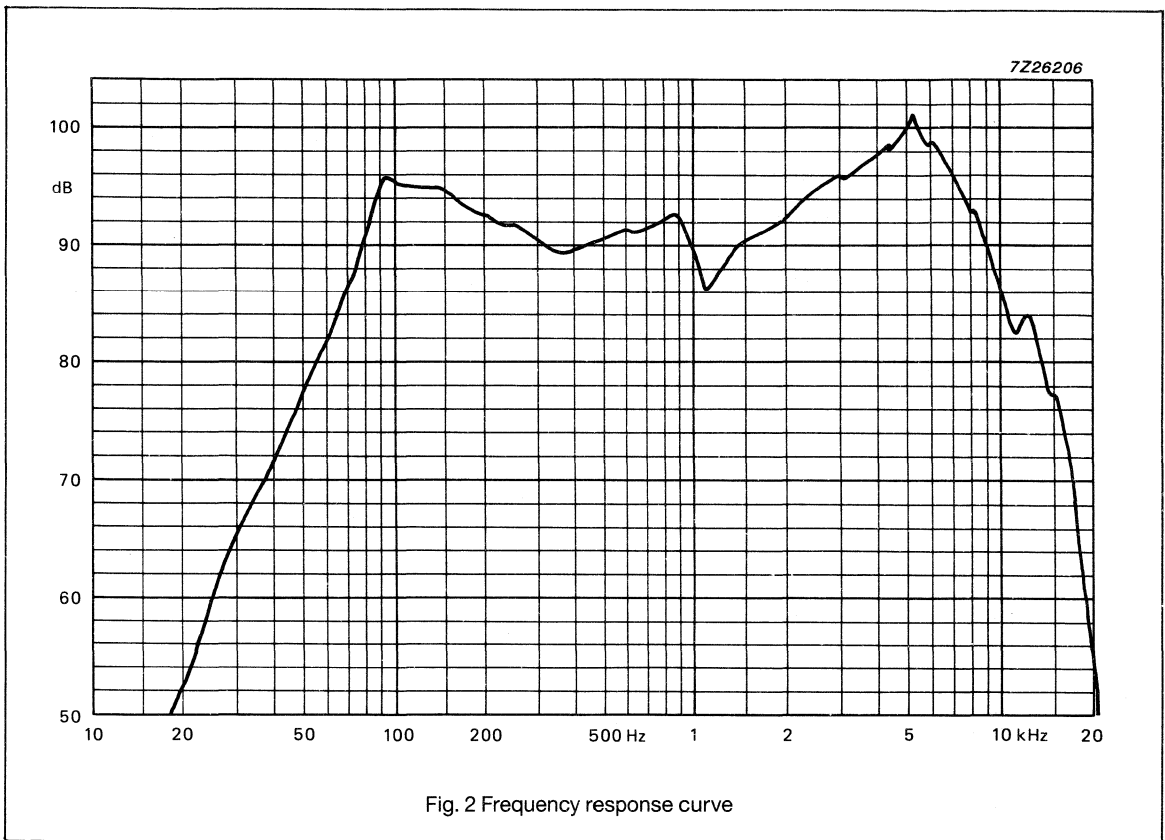


Fig. 2 Frequency response curve

Catalogue number: 2403 253 20701  
2403 253 20702  
2403 253 20703  
2403 253 20704

## Philips Components

Data sheet	
status	Product specification
date of issue	May 1990

# WD 71926 series

## 7" Full Range Round Loudspeaker

### APPLICATION

Full range loudspeaker for audio applications.

### DESCRIPTION

• Frame	material: plastic finish: none
• Membrane	colour: black
• Suspension	material: paper
• Dust cap	material: plastic colour: black
• Gasket	none

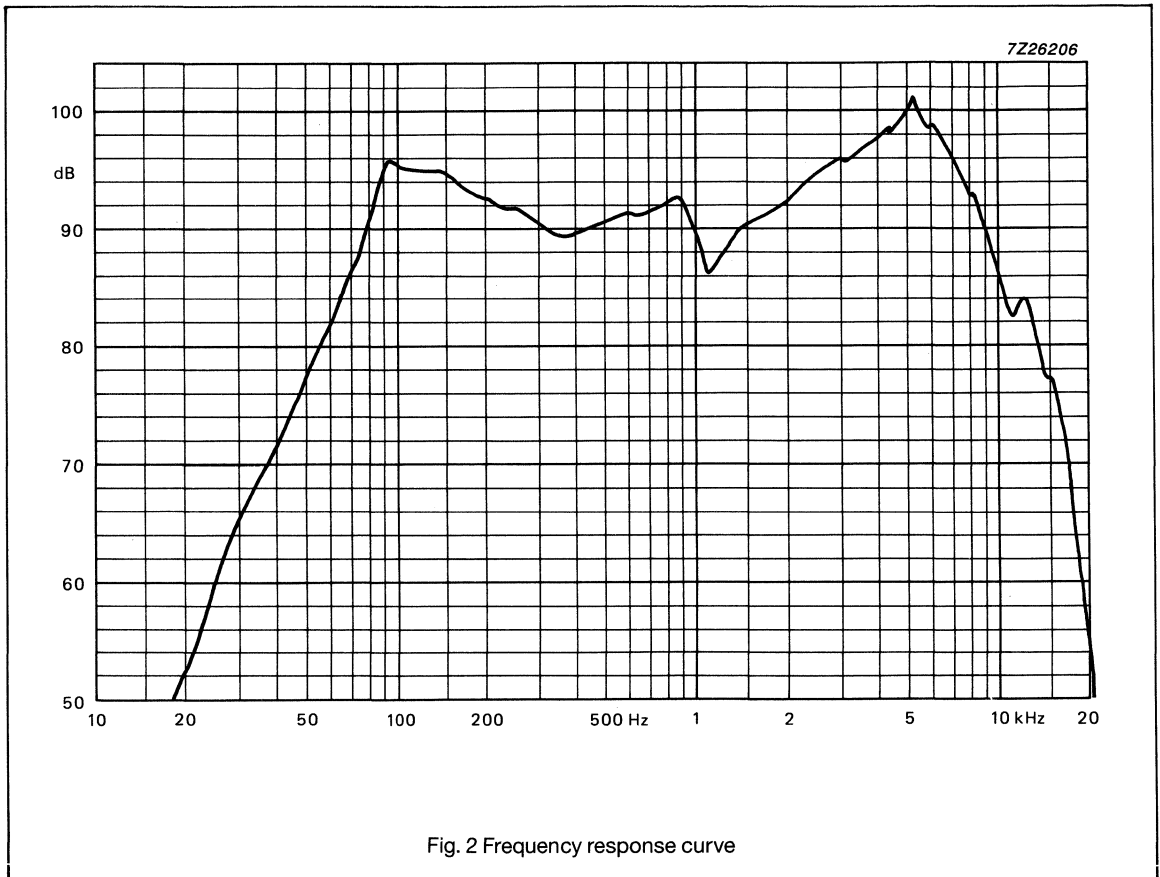
### TECHNICAL DATA

	version				unit
	X4	X8	X15	X25	
<b>Unmounted</b>					
Rated impedance	4	8	15	25	$\Omega$
Voice coil resistance	3.6	7.2	13.5	22.5	$\Omega$
Resonance frequency	100	100	100	100	Hz
Sweep voltage	4.89	6.92	9.48	12.3	V
Magnetic flux density	1.02	1.02	1.02	1.02	T
Loudspeaker mass	186	186	186	186	g
<b>Mounted</b>					
Characteristic sensitivity		92			dB/W/m
Maximum noise power		12.0			W



**7" Full Range Round Loudspeaker****WD 71926 series****FREQUENCY RESPONSE CURVES**

Frequency response curves have been measured on an axis at a distance of 1 m with 1 W input power.



Catalogue number: 2403 253 21501  
2403 253 21502  
2403 253 21503  
2403 253 21504

Data sheet	
status	Product specification
date of issue	November 1989

# WD 70945 series

## 7" Full Range Round Loudspeaker

### APPLICATION

Full range loudspeaker for video applications.

### DESCRIPTION

• Frame	material: plastic finish: none
• Membrane	colour: black
• Suspension	material: paper
• Dust cap	material: plastic colour: black
• Gasket	none

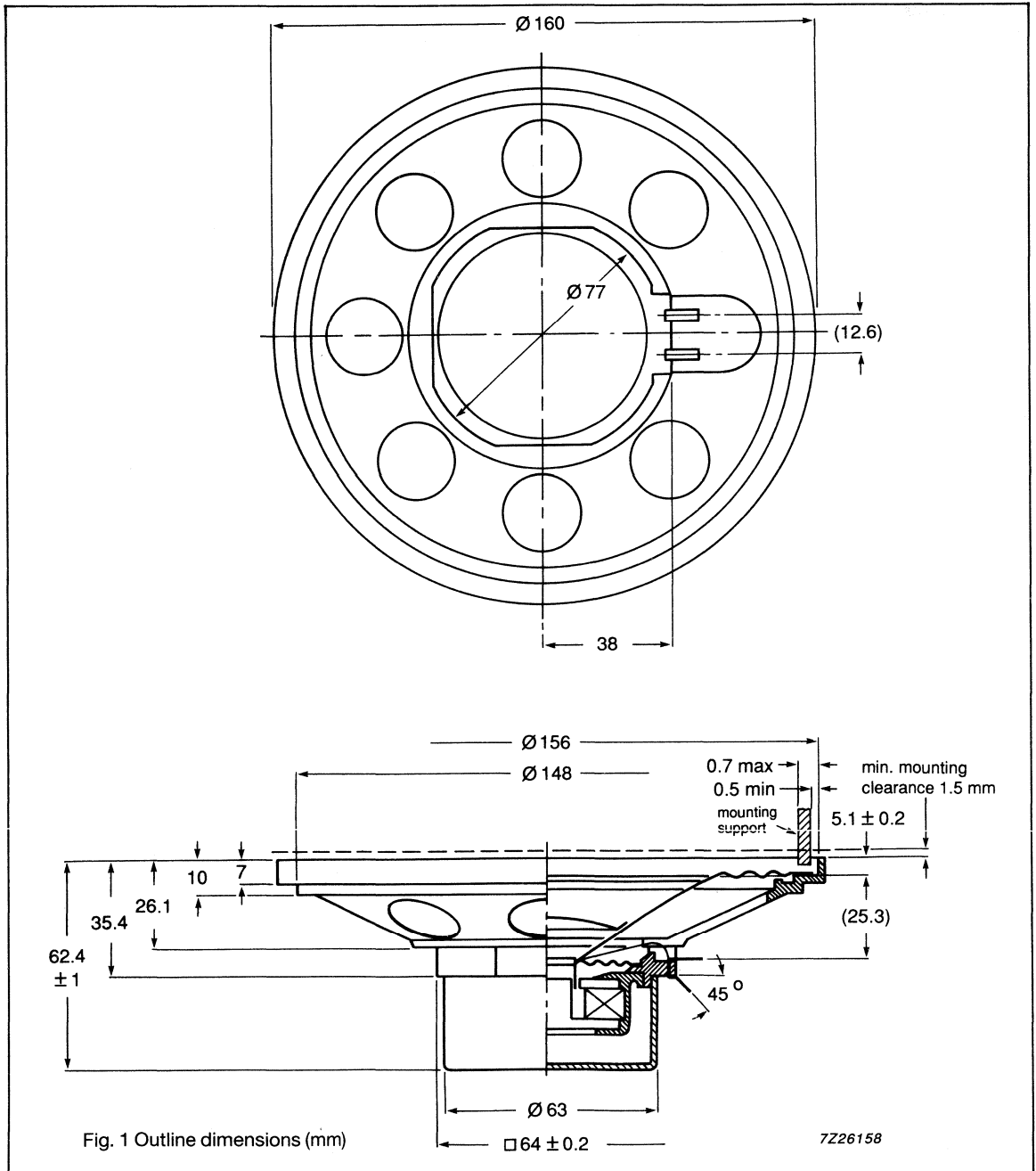
### TECHNICAL DATA

	version				unit
	X4	X8	X15	X25	
<b>Unmounted</b>					
Rated impedance	4	8	15	25	$\Omega$
Voice coil resistance	3.6	7.2	13.5	22.5	$\Omega$
Resonance frequency	100	100	100	100	Hz
Sweep voltage	4.0	5.65	7.74	10.0	V
Magnetic flux density	1.02	1.02	1.02	1.02	T
Loudspeaker mass	190	190	190	190	g
<b>Mounted</b>					
Characteristic sensitivity	92				dB/W/m
Maximum noise power	8.0				W

7" Full Range Round Loudspeaker

WD 70945 series

MECHANICAL DATA





**7" Full Range Round Loudspeaker****WD 70945 series****FREQUENCY RESPONSE CURVES**

Frequency response curves have been measured on an axis at a distance of 1 m with 1 W input power.



Fig. 2 Frequency response curve

Catalogue number: 2403 253 20801  
2403 253 20802  
2403 253 20803  
2403 253 20804

## Philips Components

Data sheet	
status	Product specification
date of issue	May 1990

# WD 77945 series

## 7" Full Range Round Loudspeaker

### APPLICATION

Full range loudspeaker for video applications.

### DESCRIPTION

• Frame	material: plastic finish: none
• Membrane	colour: black
• Suspension	material: paper
• Dust cap	material: plastic colour: black
• Gasket	none

### TECHNICAL DATA

	version				unit
	X4	X8	X15	X25	
<b>Unmounted</b>					
Rated impedance	4	8	15	25	$\Omega$
Voice coil resistance	3.6	7.2	13.5	22.5	$\Omega$
Resonance frequency	100	100	100	100	Hz
Sweep voltage	4.0	5.65	7.74	10.0	V
Magnetic flux density	1.02	1.02	1.02	1.02	T
Loudspeaker mass	190	190	190	190	g
<b>Mounted</b>					
Characteristic sensitivity		92			dB/W/m
Maximum noise power		8.0			W

7" Full Range Round Loudspeaker

WD 77945 series

MECHANICAL DATA

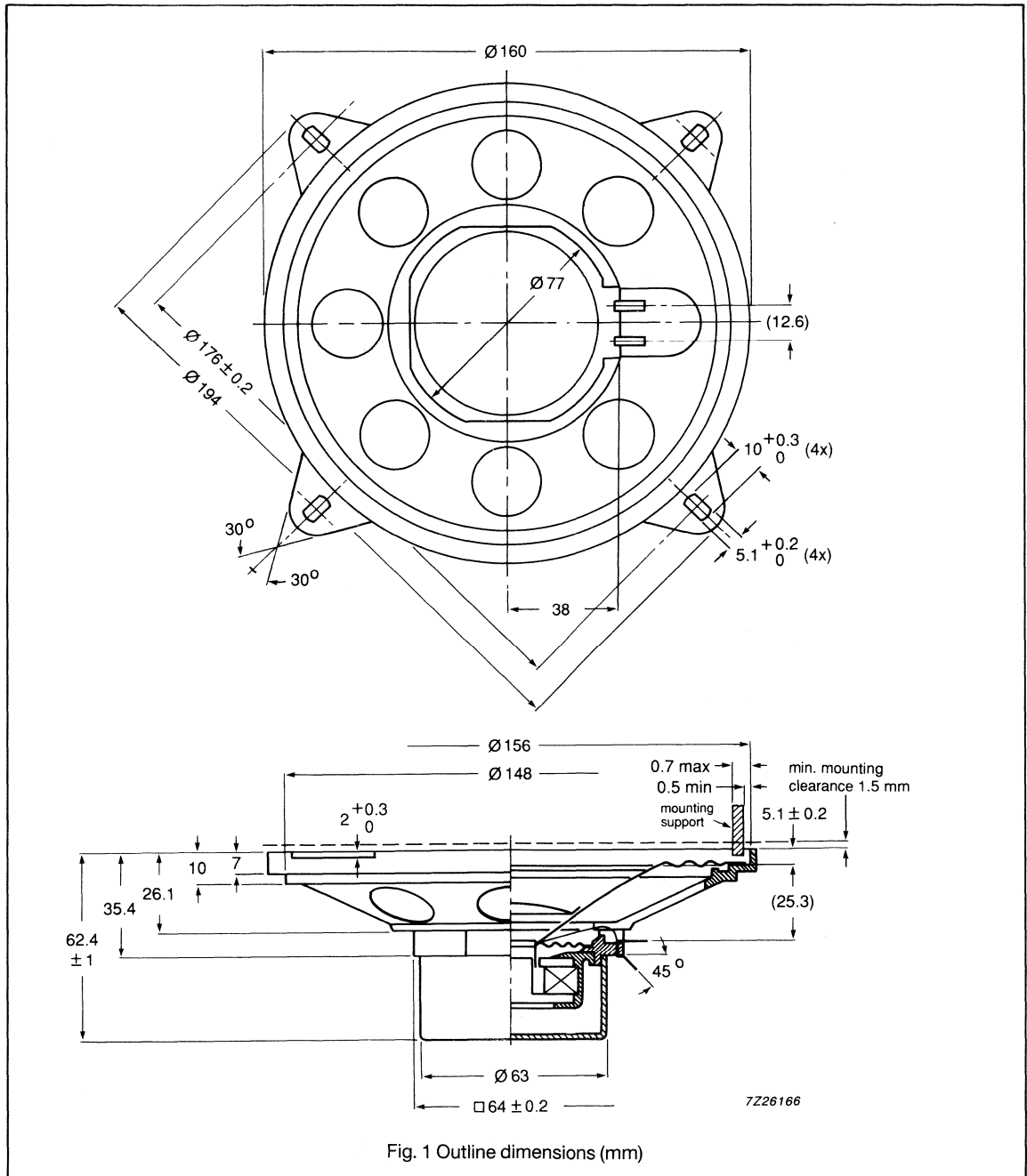


Fig. 1 Outline dimensions (mm)

# 7" Full Range Round Loudspeaker

# WD 77945 series

## FREQUENCY RESPONSE CURVES

Frequency response curves have been measured on an axis at a distance of 1 m with 1 W input power.

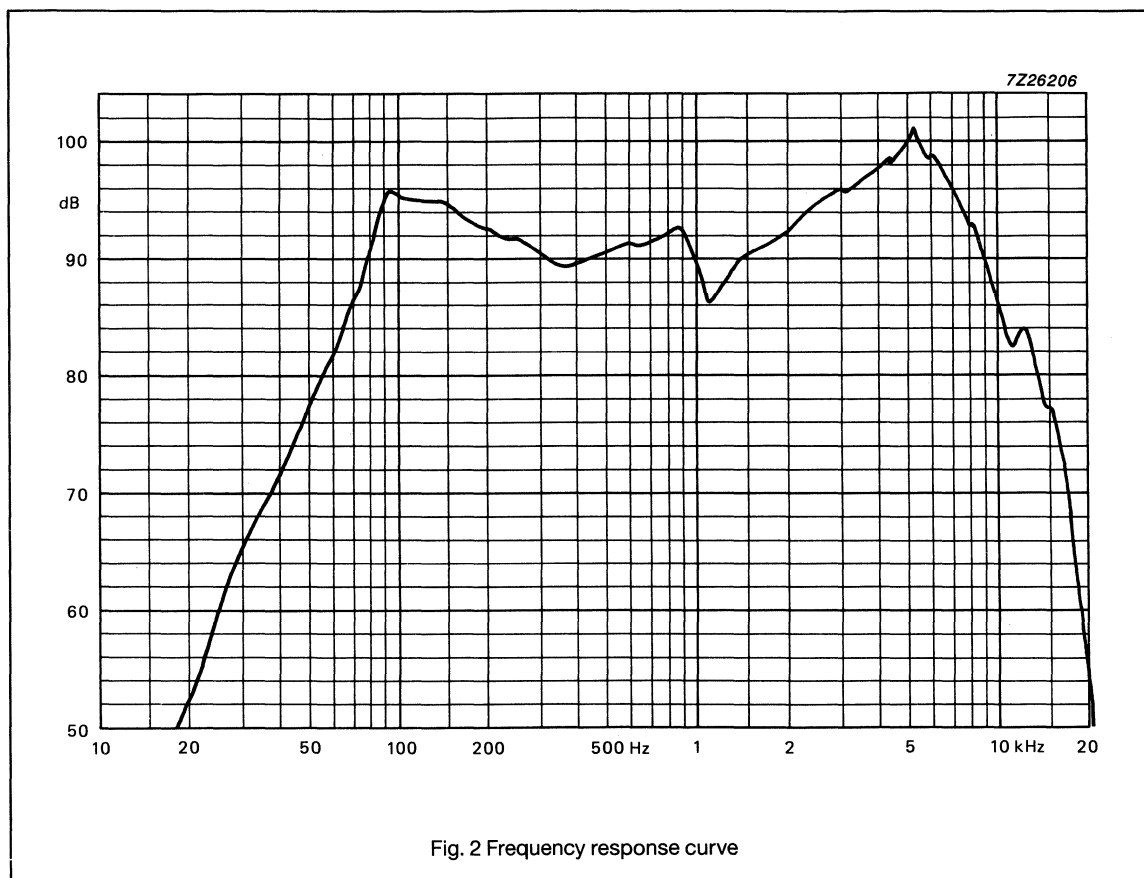


Fig. 2 Frequency response curve

- Catalogue number: 2403 253 20901
- 2403 253 20902
- 2403 253 20903
- 2403 253 20904

**Philips Components**

Data sheet	
status	Product specification
date of issue	May 1990

# WD 71946 series

## 7" Full Range Round Loudspeaker

**APPLICATION**

Full range loudspeaker for video applications.

**DESCRIPTION**

• Frame	material: plastic finish: none
• Membrane	colour: black
• Suspension	material: paper
• Dust cap	material: plastic colour: black
• Gasket	none

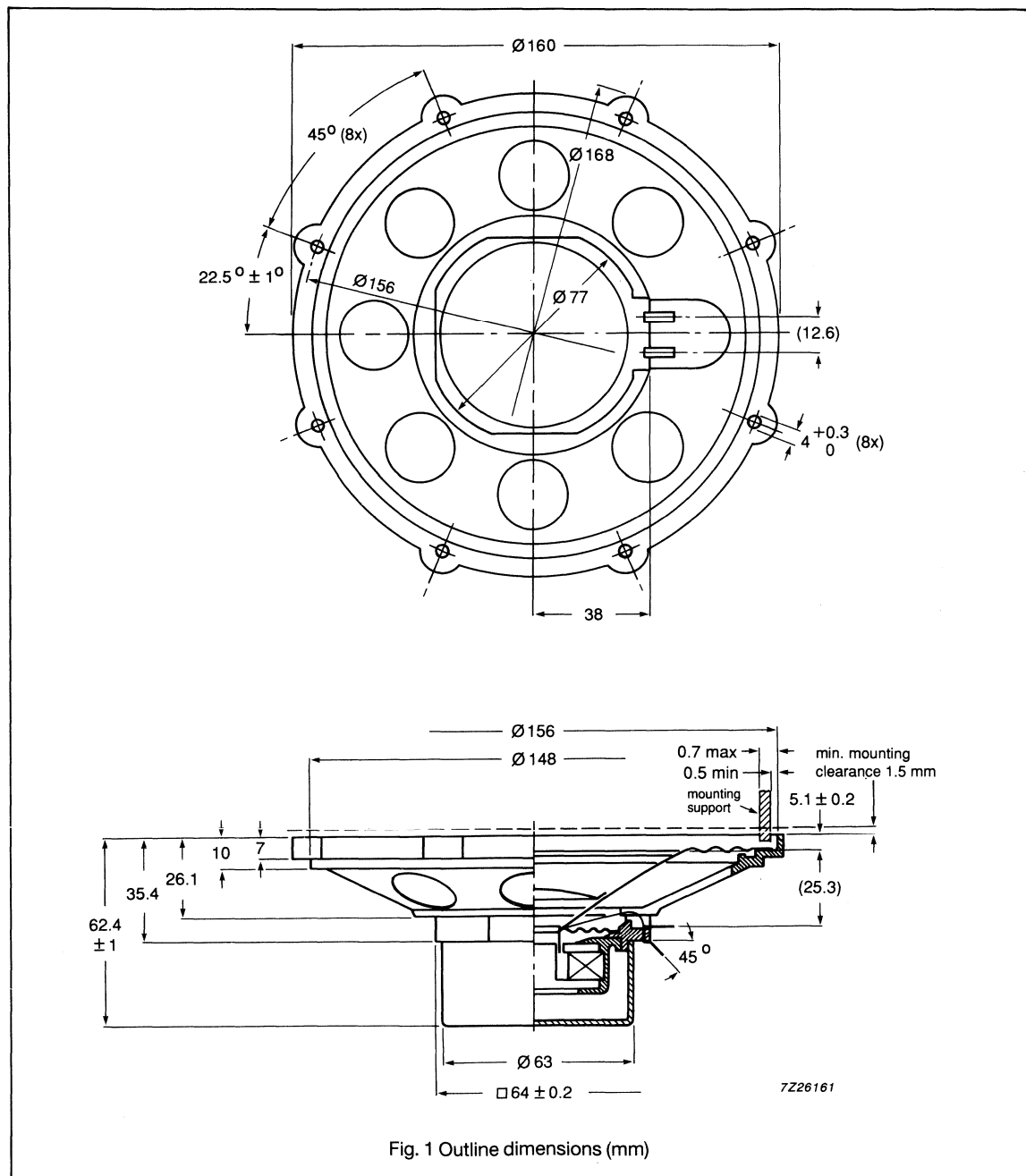
**TECHNICAL DATA**

	version				unit
	X4	X8	X15	X25	
<b>Unmounted</b>					
Rated impedance	4	8	15	25	$\Omega$
Voice coil resistance	3.6	7.2	13.5	22.5	$\Omega$
Resonance frequency	100	100	100	100	Hz
Sweep voltage	4.0	5.65	7.74	10.0	V
Magnetic flux density	1.02	1.02	1.02	1.02	T
Loudspeaker mass	190	190	190	190	g
<b>Mounted</b>					
Characteristic sensitivity		92			dB/W/m
Maximum noise power		8.0			W

7" Full Range Round Loudspeaker

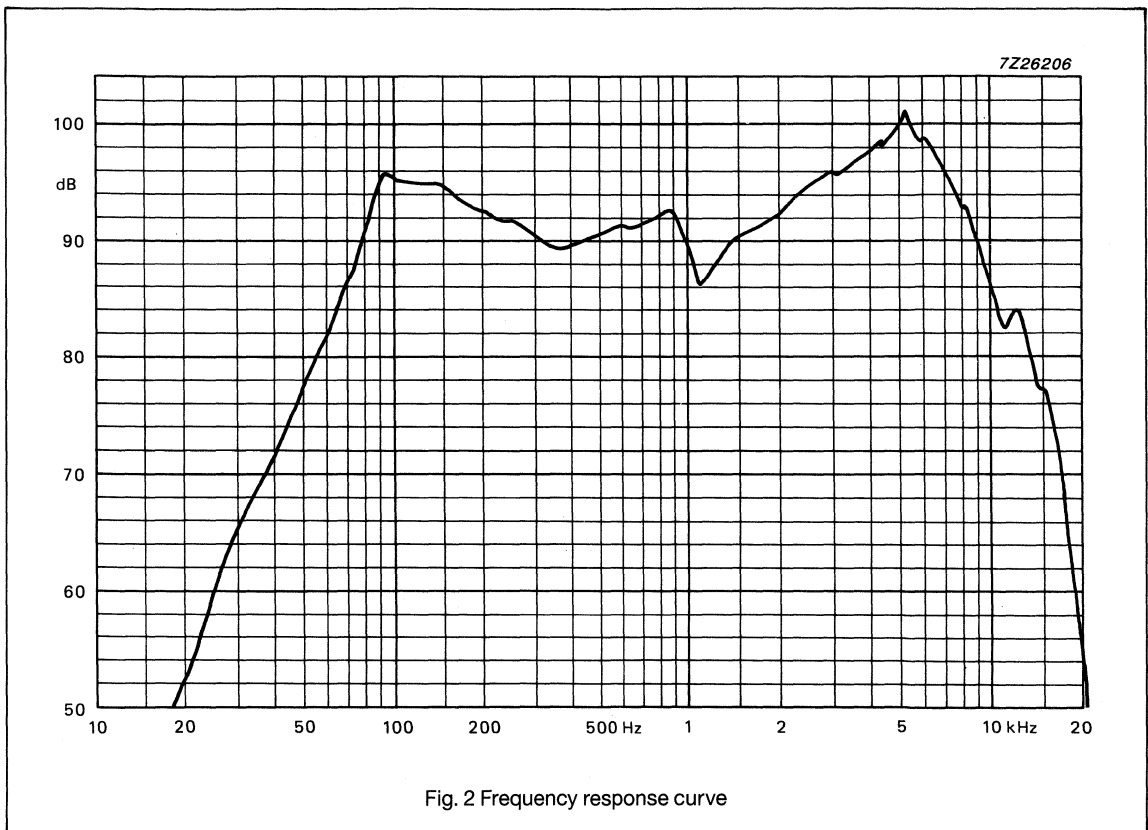
WD 71946 series

MECHANICAL DATA



**7" Full Range Round Loudspeaker****WD 71946 series****FREQUENCY RESPONSE CURVES**

Frequency response curves have been measured on an axis at a distance of 1 m with 1 W input power.



Catalogue number: 2403 253 21601  
2403 253 21602  
2403 253 21603  
2403 253 21604

**Philips Components**

Data sheet	
status	Product specification
date of issue	May 1990

# WD 70965 series

## 7" Full Range Round Loudspeaker

**APPLICATION**

Full range loudspeaker for video applications.

**DESCRIPTION**

• Frame	material: plastic finish: none
• Membrane	colour: black
• Suspension	material: paper
• Dust cap	material: plastic colour: black
• Gasket	none

**TECHNICAL DATA**

	version				unit
	X4	X8	X15	X25	
<b>Unmounted</b>					
Rated impedance	4	8	15	25	$\Omega$
Voice coil resistance	3.6	7.2	13.5	22.5	$\Omega$
Resonance frequency	100	100	100	100	Hz
Sweep voltage	4.0	5.65	7.74	10.0	V
Magnetic flux density	1.02	1.02	1.02	1.02	T
Loudspeaker mass	205	205	205	205	g
<b>Mounted</b>					
Characteristic sensitivity		92			dB/W/m
Maximum noise power		8.0			W





# 7" Full Range Round Loudspeaker

# WD 70965 series

## FREQUENCY RESPONSE CURVES

Frequency response curves have been measured on an axis at a distance of 1 m with 1 W input power.

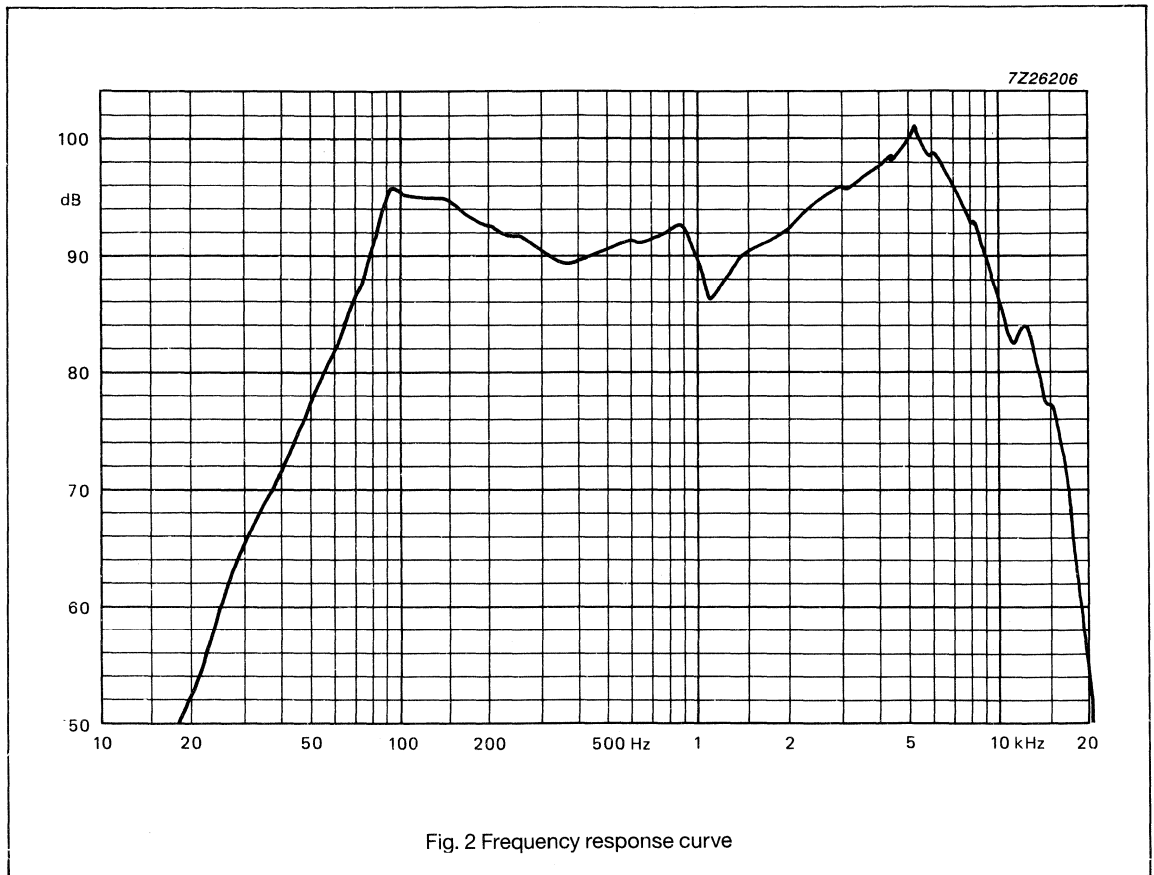


Fig. 2 Frequency response curve

- Catalogue number: 2403 253 21001
- 2403 253 21002
- 2403 253 21003
- 2403 253 21004

**Philips Components**

Data sheet	
status	Product specification
date of issue	May 1990

# WD 77965 series

## 7" Full Range Round Loudspeaker

**APPLICATION**

Full range loudspeaker for video applications.

**DESCRIPTION**

• Frame	material: plastic finish: none
• Membrane	colour: black
• Suspension	material: paper
• Dust cap	material: plastic colour: black
• Gasket	none

**TECHNICAL DATA**

	version				unit
	X4	X8	X15	X25	
<b>Unmounted</b>					
Rated impedance	4	8	15	25	$\Omega$
Voice coil resistance	3.6	7.2	13.5	22.5	$\Omega$
Resonance frequency	100	100	100	100	Hz
Sweep voltage	4.0	5.65	7.74	10.0	V
Magnetic flux density	1.02	1.02	1.02	1.02	T
Loudspeaker mass	205	205	205	205	g
<b>Mounted</b>					
Characteristic sensitivity		92			dB/W/m
Maximum noise power		8.0			W

7" Full Range Round Loudspeaker

WD 77965 series

MECHANICAL DATA

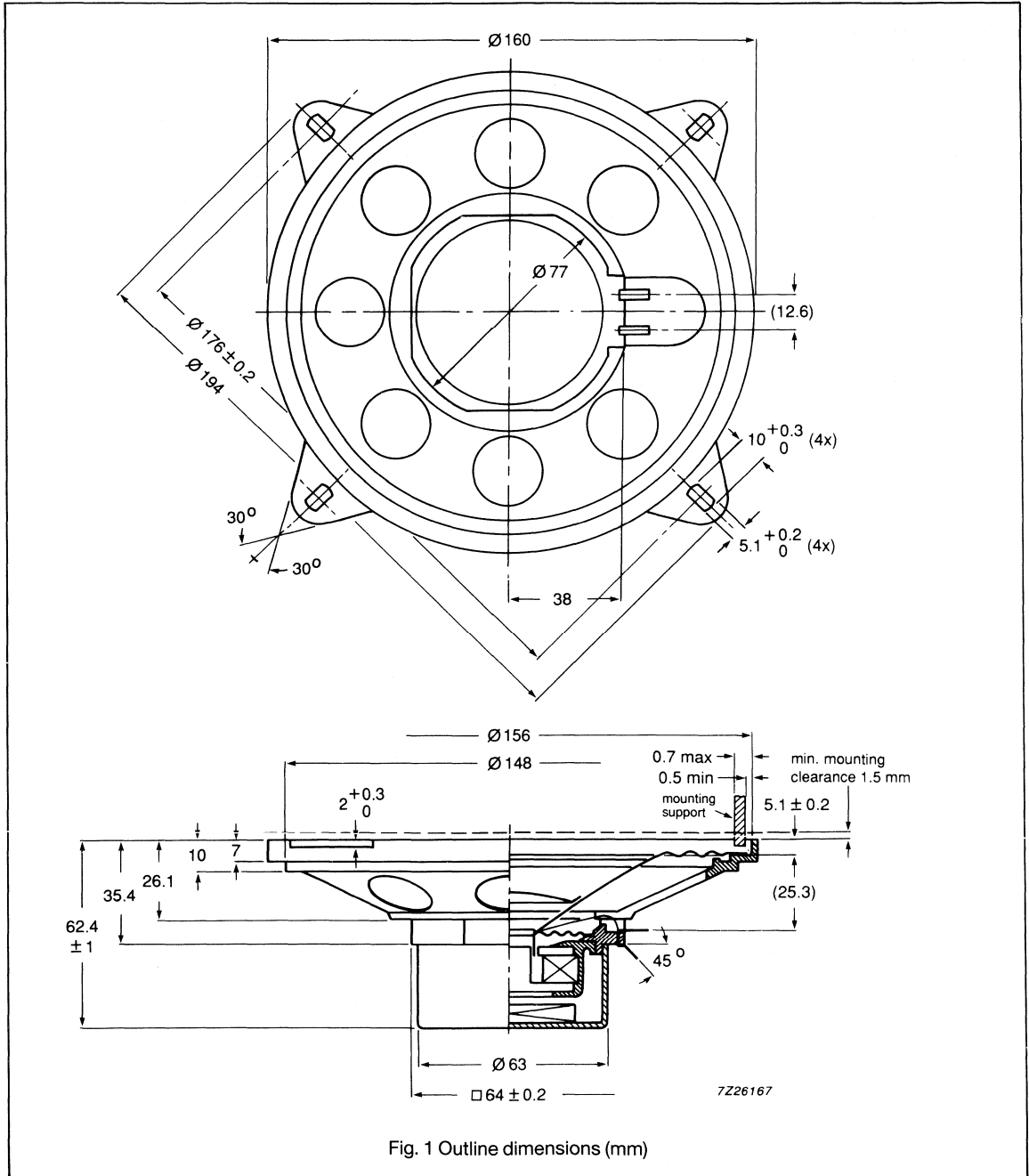
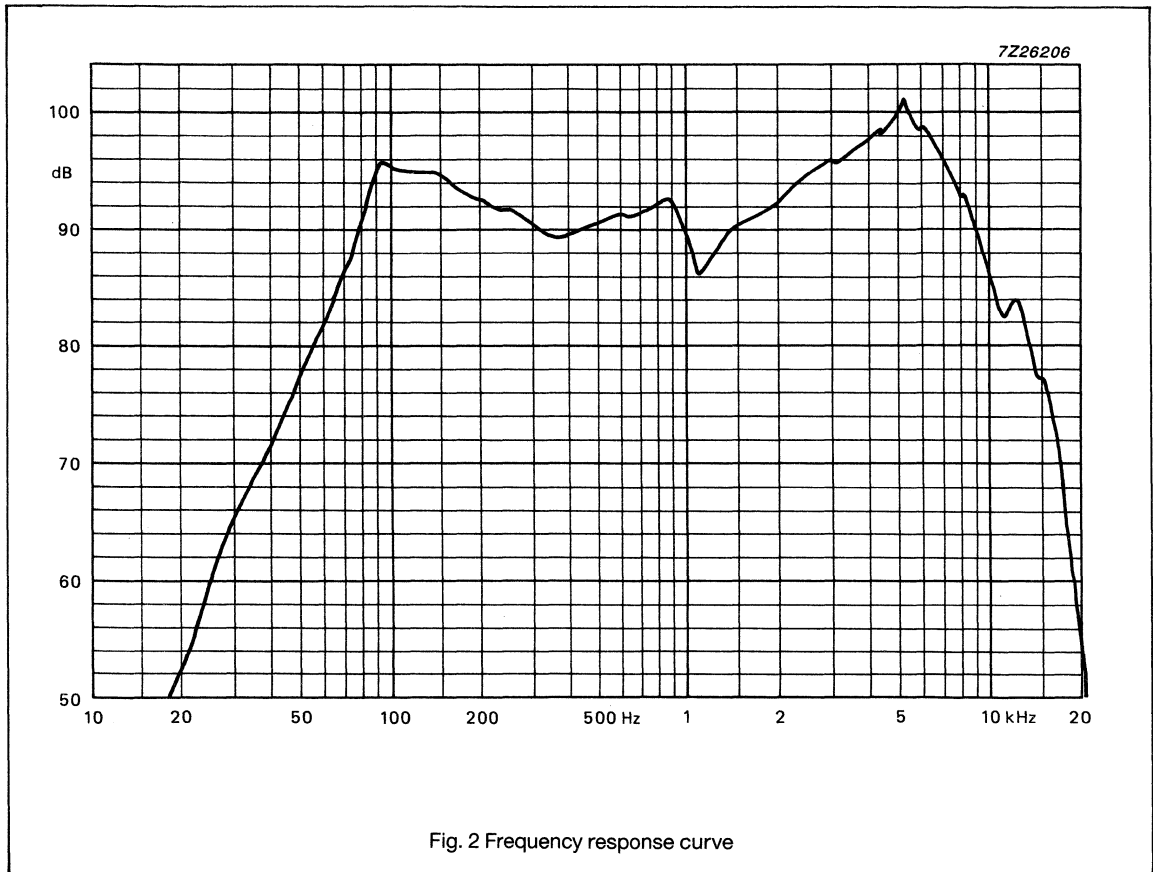


Fig. 1 Outline dimensions (mm)

**7" Full Range Round Loudspeaker****WD 77965 series****FREQUENCY RESPONSE CURVES**

Frequency response curves have been measured on an axis at a distance of 1 m with 1 W input power.



Catalogue number: 2403 253 21101  
2403 253 21102  
2403 253 21103  
2403 253 21104

Data sheet	
status	Product specification
date of issue	May 1990

# WD 71966 series

## 7" Full Range Round Loudspeaker

### APPLICATION

Full range loudspeaker for video applications.

### DESCRIPTION

• Frame	material: plastic finish: none
• Membrane	colour: black
• Suspension	material: paper
• Dust cap	material: plastic colour: black
• Gasket	none

### TECHNICAL DATA

	version				unit
	X4	X8	X15	X25	
<b>Unmounted</b>					
Rated impedance	4	8	15	25	Ω
Voice coil resistance	3.6	7.2	13.5	22.5	Ω
Resonance frequency	100	100	100	100	Hz
Sweep voltage	4.0	5.65	7.74	10.0	V
Magnetic flux density	1.02	1.02	1.02	1.02	T
Loudspeaker mass	205	205	205	205	g
<b>Mounted</b>					
Characteristic sensitivity		92			dB/W/m
Maximum noise power		8.0			W

7" Full Range Round Loudspeaker

WD 71966 series

MECHANICAL DATA

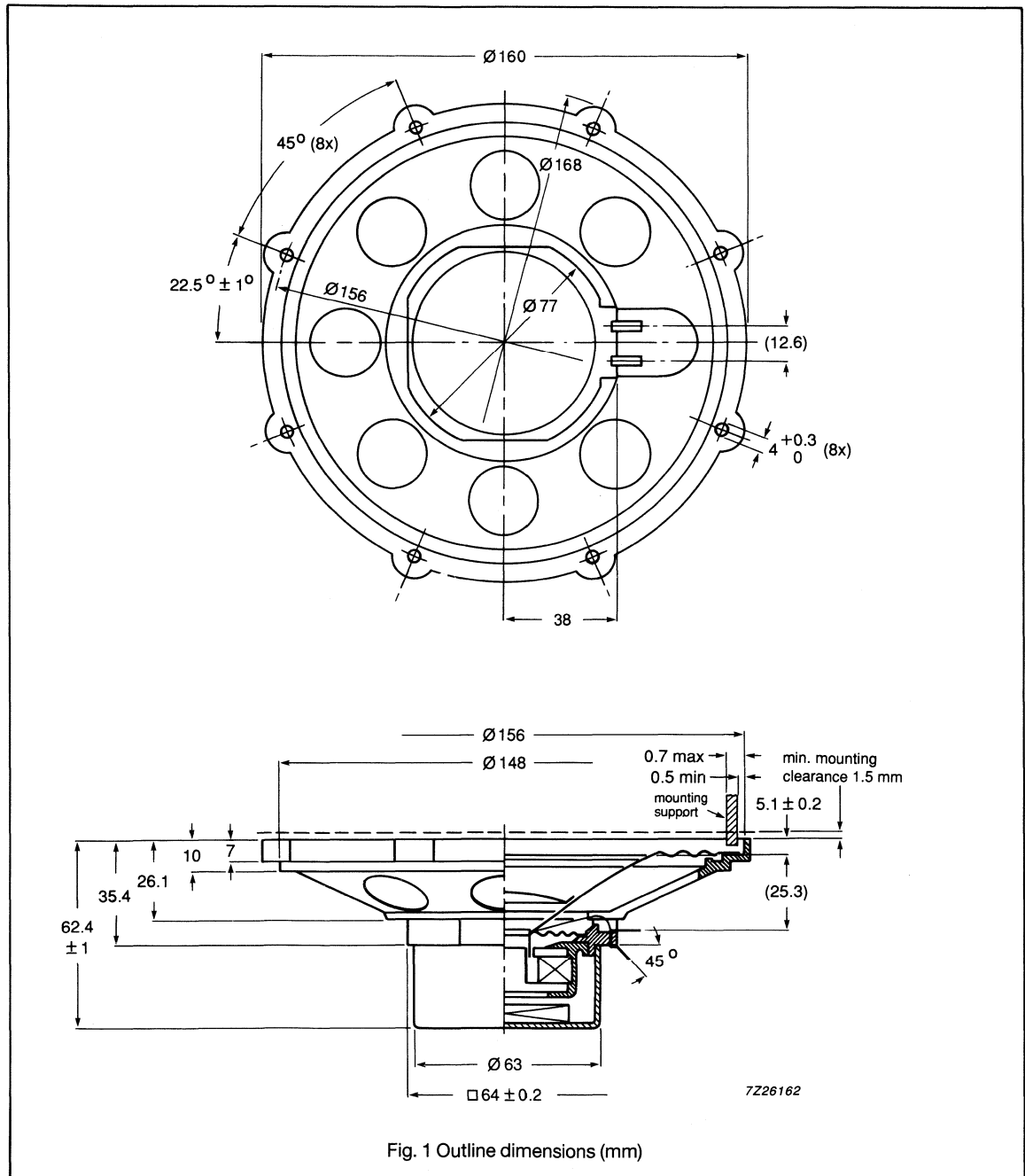
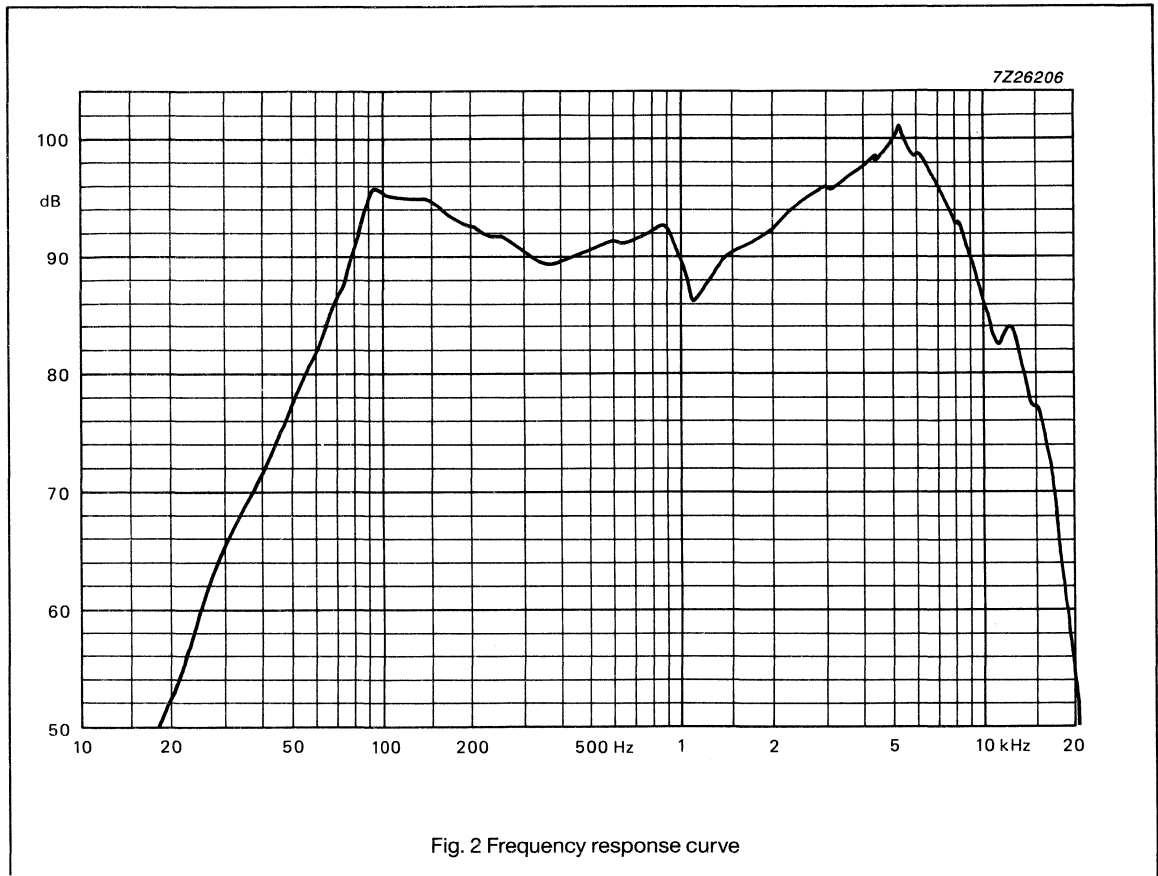


Fig. 1 Outline dimensions (mm)

**7" Full Range Round Loudspeaker****WD 71966 series****FREQUENCY RESPONSE CURVES**

Frequency response curves have been measured on an axis at a distance of 1 m with 1 W input power.



Catalogue number: 2403 253 21701  
2403 253 21702  
2403 253 21703  
2403 253 21704



## Philips Components

Data sheet	
status	Product specification
date of issue	May 1990

# AD 70845/M series

## 7" Full Range Round Loudspeaker

### APPLICATION

Full range loudspeaker for audio applications.

### DESCRIPTION

• Frame	material: steel finish: zinc yellow
• Membrane	colour: black
• Suspension	material: paper
• Dust cap	material: paper colour: black
• Gasket	: none

### TECHNICAL DATA

	version		unit
	/M4	/M8	
<b>Unmounted</b>			
Rated impedance	4	8	$\Omega$
Voice coil resistance	3.8	7	$\Omega$
Resonance frequency		100	Hz
Sweep voltage	4.0	5.65	V
Magnetic flux density		0.74	T
Loudspeaker mass		212	g
<b>Mounted</b>			
Characteristic sensitivity	90	89.5	dB/W/m
Maximum noise power		8.0	W

7" Full Range Round Loudspeaker

AD 70845/M series

MECHANICAL DATA

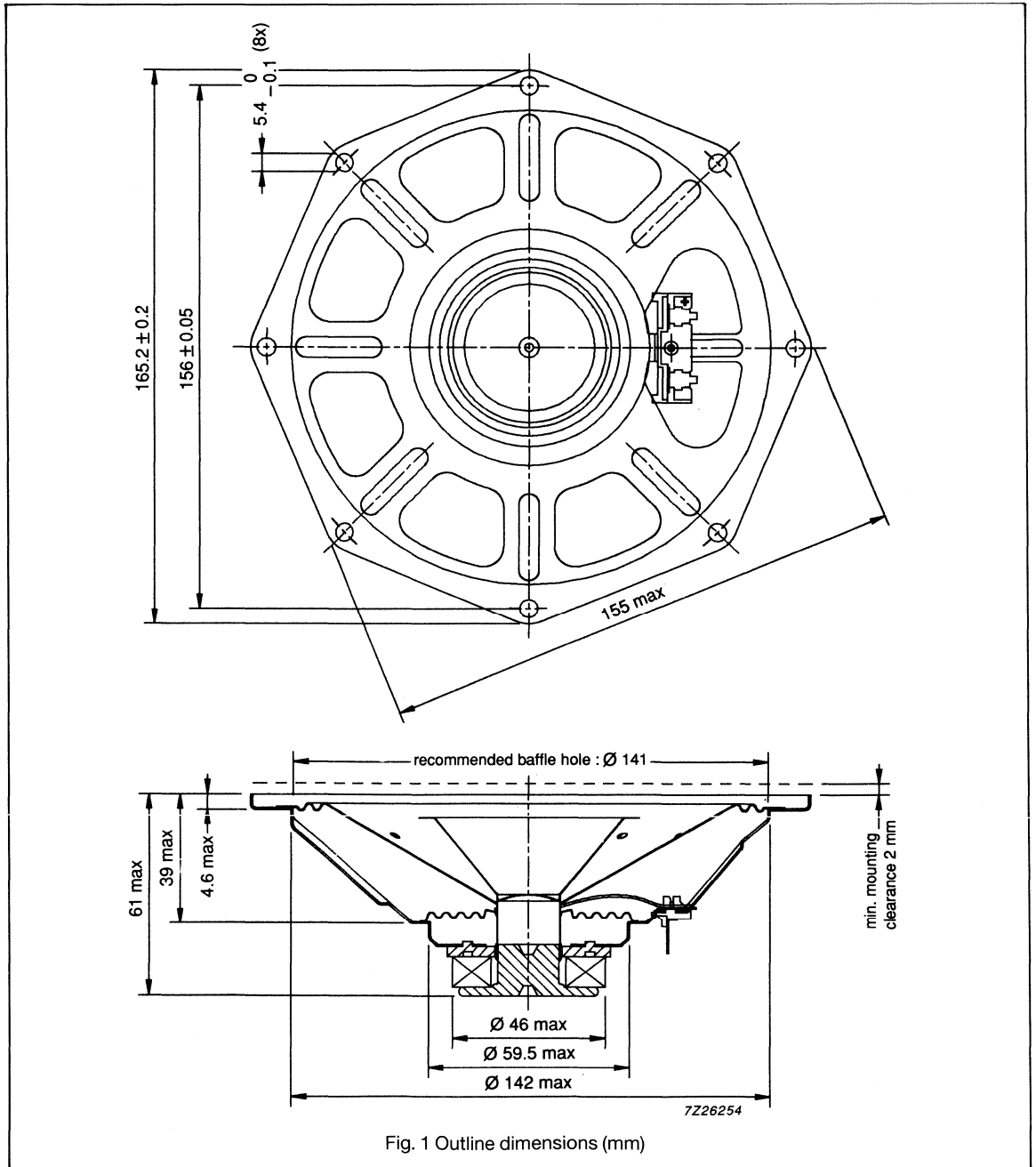
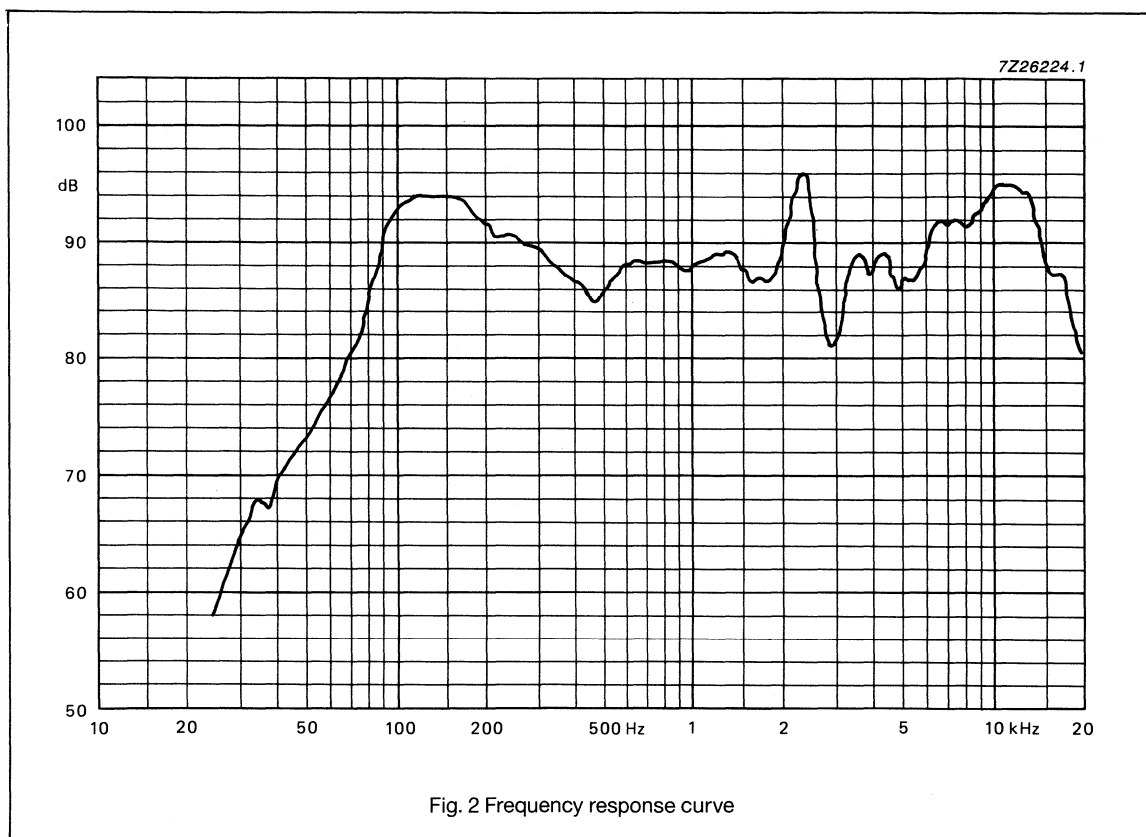


Fig. 1 Outline dimensions (mm)

**7" Full Range Round Loudspeaker****AD 70845/M series****FREQUENCY RESPONSE CURVES**

Frequency response curves have been measured on an axis at a distance of 1 m with 1 W input power.



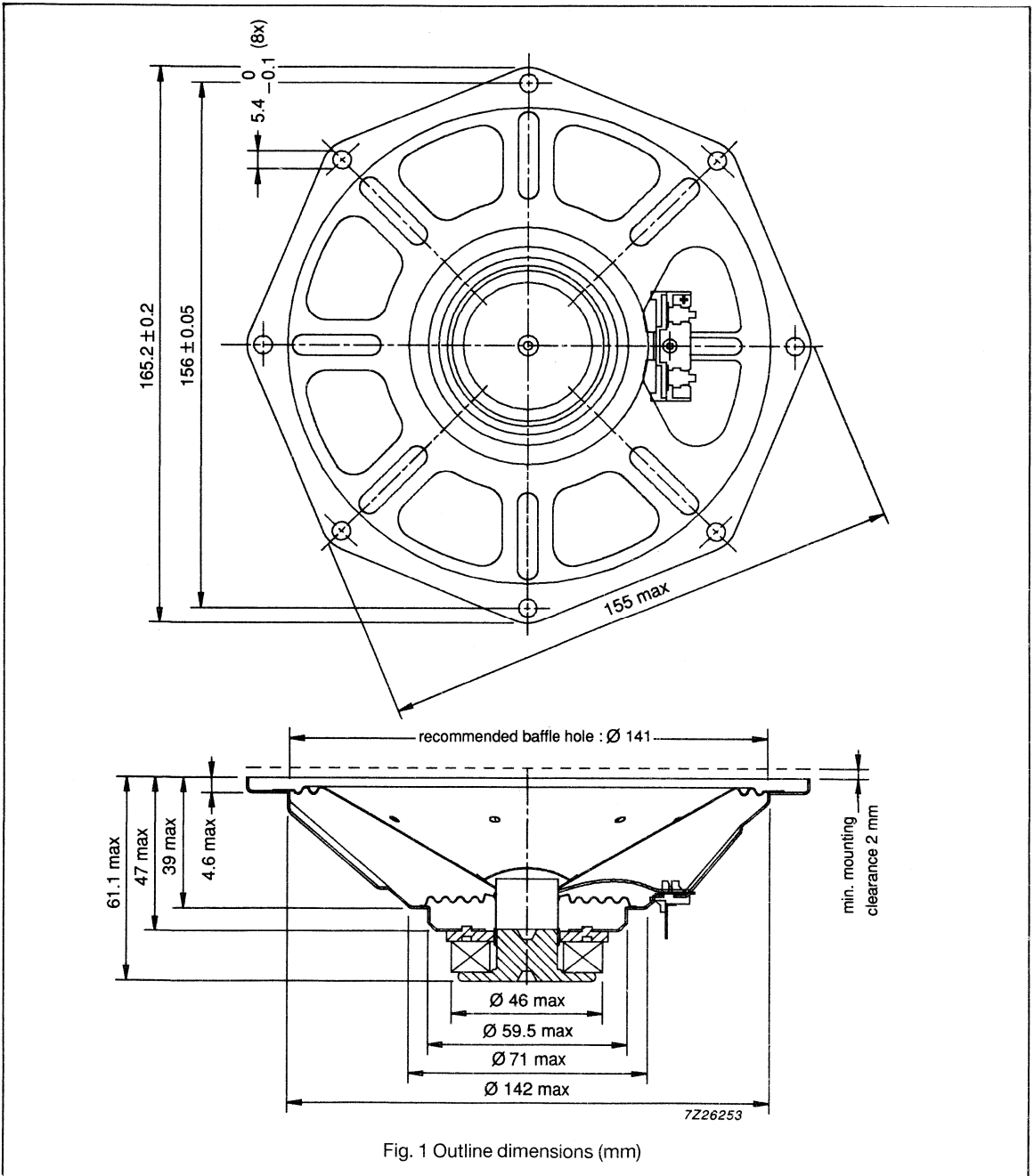
Catalogue number: 2422 257 47805  
2422 257 47806



7" Full Range Round Loudspeaker

AD 70845/X series

MECHANICAL DATA

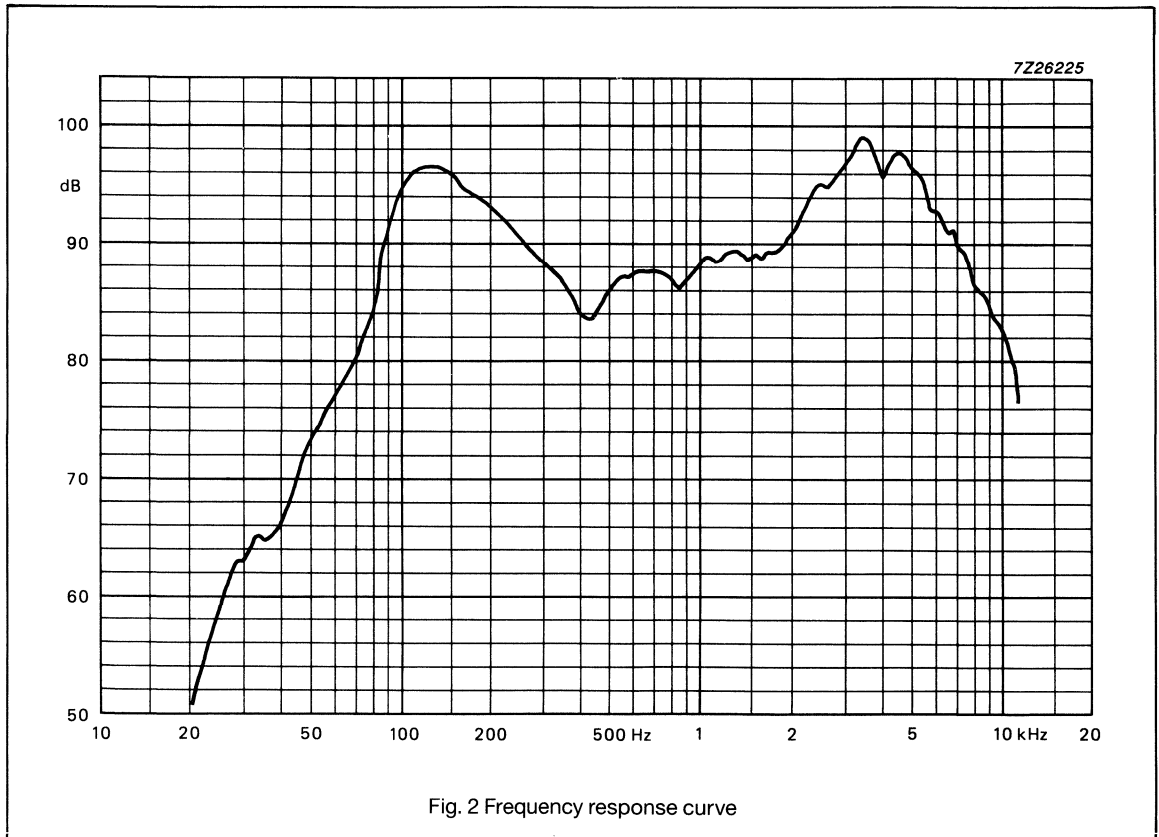


**7" Full Range Round Loudspeaker**

**AD 70845/X series**

**FREQUENCY RESPONSE CURVES**

Frequency response curves have been measured on an axis at a distance of 1 m with 1 W input power.



Catalogue number: 2422 257 47804  
 2422 257 47808

**Philips Components**

Data sheet	
status	Product specification
date of issue	May 1990

# AD 70800 series

## 7" Full Range Round Loudspeaker

**APPLICATION**

Full range loudspeaker for audio applications.

**DESCRIPTION**

• Frame	material: steel finish: zinc yellow
• Membrane	colour: black
• Suspension	material: paper
• Dust cap	material: paper colour: black
• Gasket	: none

**TECHNICAL DATA**

	version		unit
	/M4	/M8	
<b>Unmounted</b>			
Rated impedance	4	8	Ω
Voice coil resistance	3.4	7	Ω
Resonance frequency	100	105	Hz
Sweep voltage	5.1	7.2	V
Magnetic flux density		0.98	T
Loudspeaker mass		288	g
<b>Mounted</b>			
Characteristic sensitivity	91	92	dB/W/m
Maximum noise power		13.0	W

7" Full Range Round Loudspeaker

AD 70800 series

MECHANICAL DATA

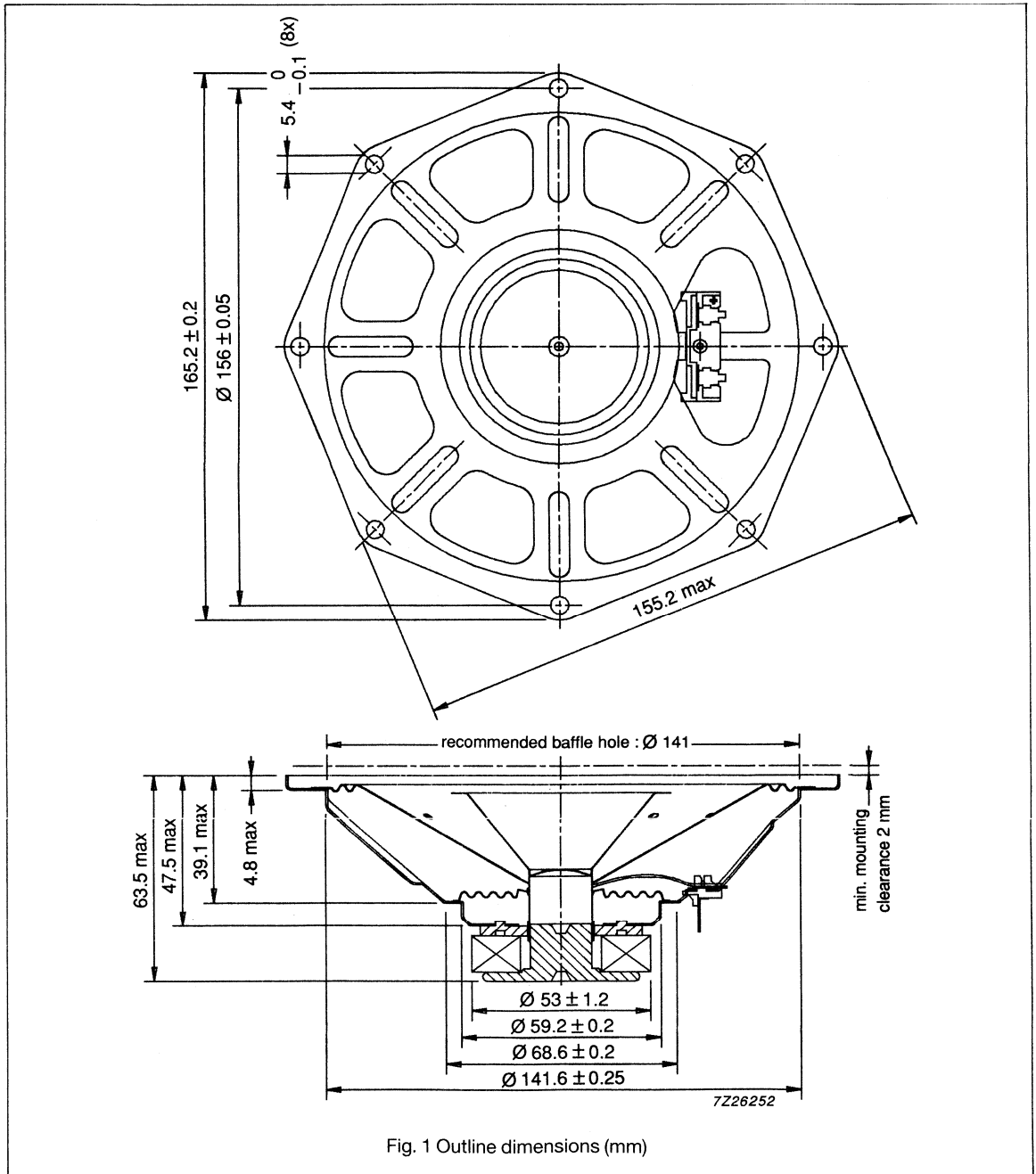
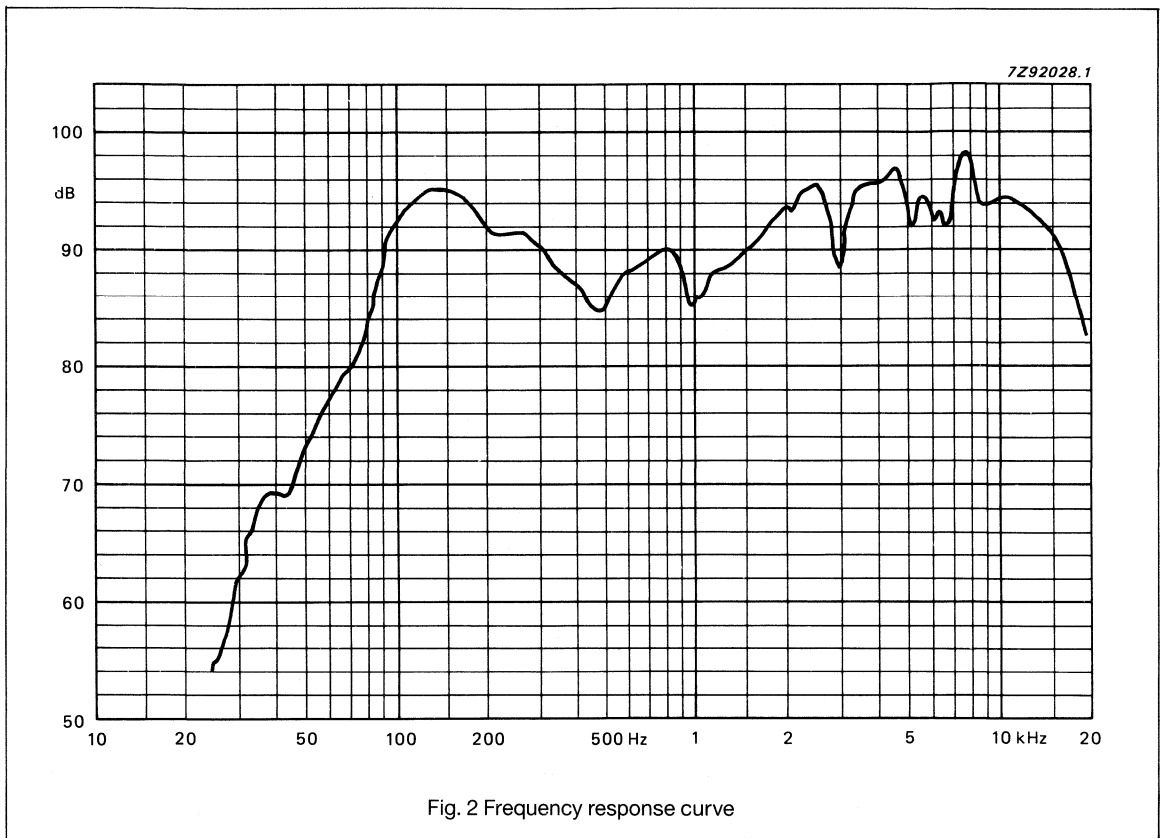


Fig. 1 Outline dimensions (mm)



**7" Full Range Round Loudspeaker****AD 70800 series****FREQUENCY RESPONSE CURVES**

Frequency response curves have been measured on an axis at a distance of 1 m with 1 W input power.



Catalogue number: 2422 257 47405  
2422 257 47406

Data sheet	
status	Product specification
date of issue	May 1990

# AD 70631 series

## 7" Full Range Round Loudspeaker

### APPLICATION

Full range loudspeaker for audio applications.

### DESCRIPTION

- |              |                                       |
|--------------|---------------------------------------|
| • Frame      | material: steel<br>finish: zinc black |
| • Membrane   | colour: black                         |
| • Suspension | material: textile                     |
| • Dust cap   | material: paper<br>colour: black      |
| • Gasket     | : front side                          |

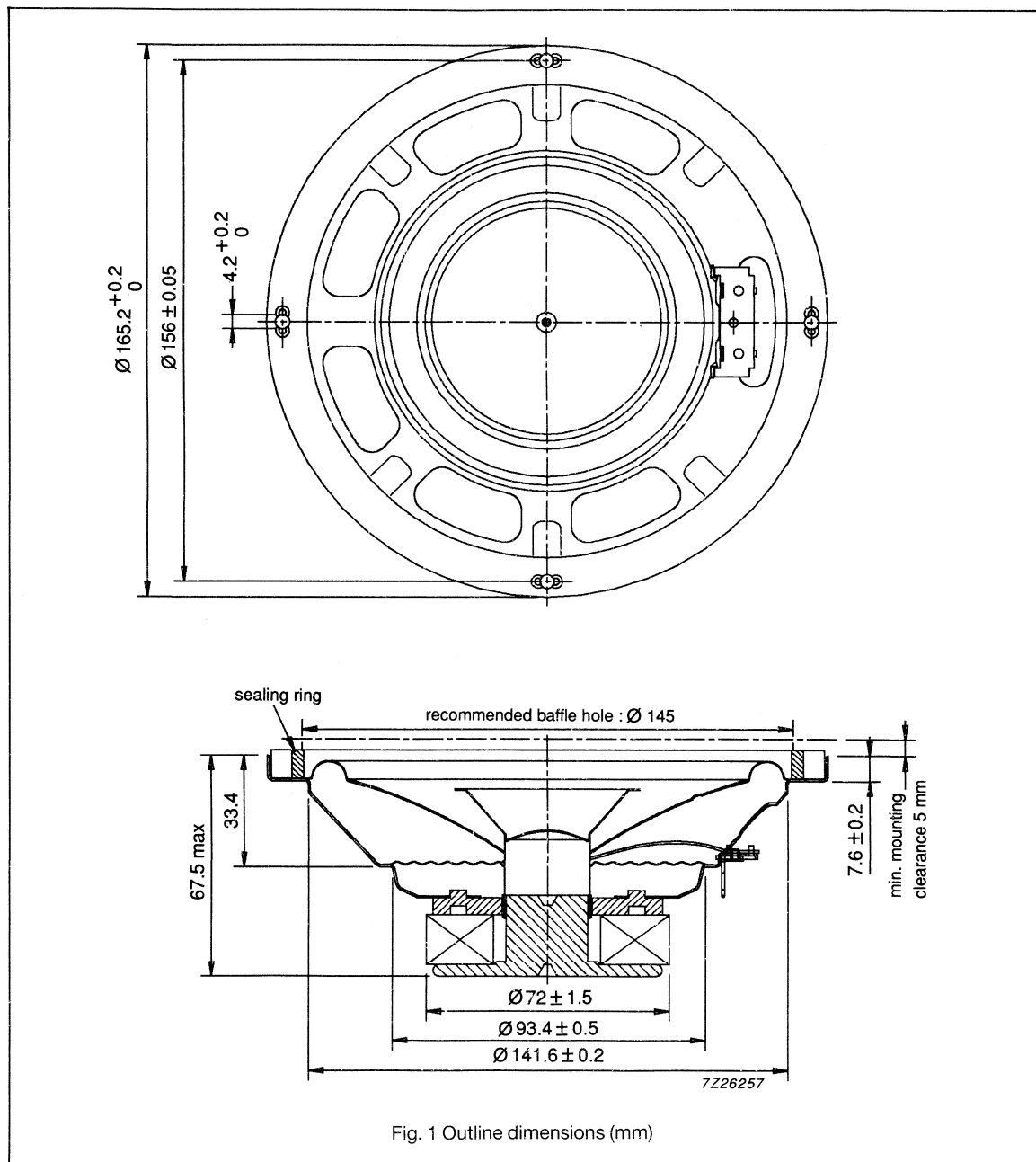
### TECHNICAL DATA

	version		unit
	/M4	/M8	
<b>Unmounted</b>			
Rated impedance	4	8	$\Omega$
Voice coil resistance	3.2	6.8	$\Omega$
Resonance frequency	60	63	Hz
Sweep voltage	5.5	7.7	V
Magnetic flux density		0.87	T
Loudspeaker mass		652	g
<b>Mounted</b>			
Characteristic sensitivity		90	dB/W/m
Maximum noise power		15.0	W

## 7" Full Range Round Loudspeaker

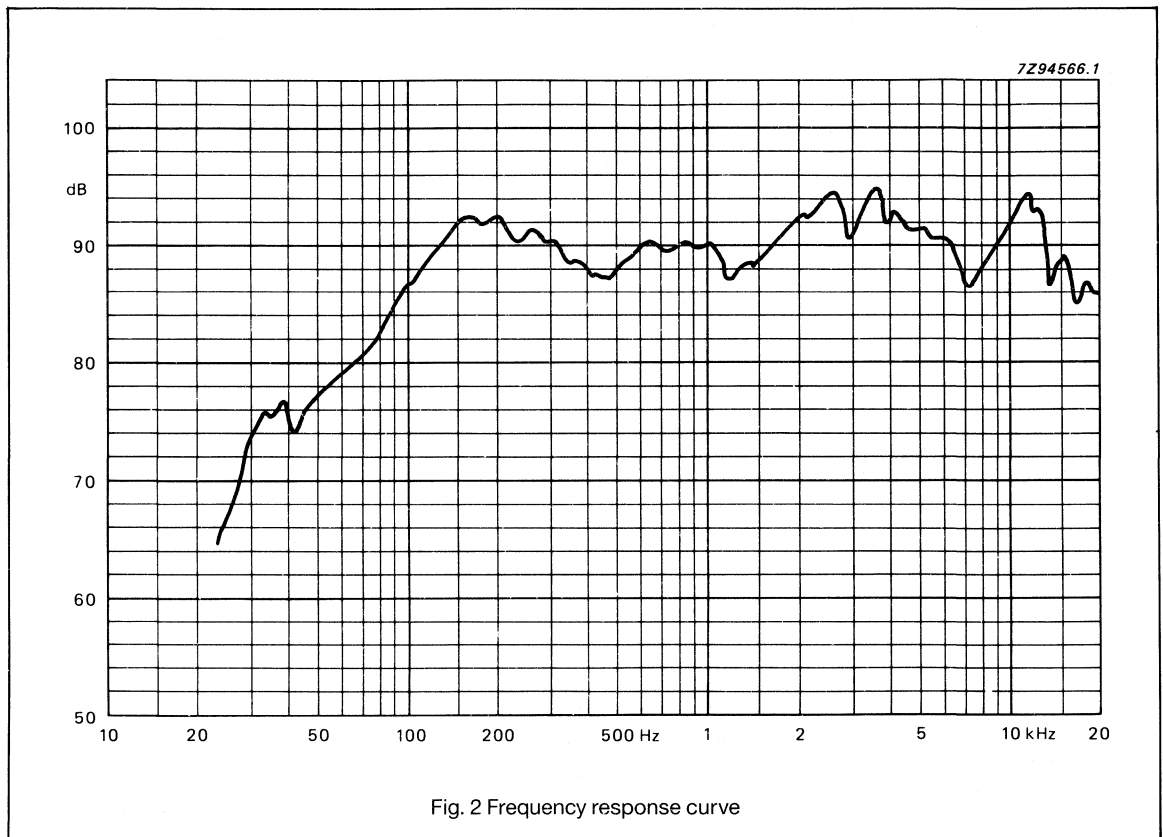
AD 70631 series

## MECHANICAL DATA



**7" Full Range Round Loudspeaker****AD 70631 series****FREQUENCY RESPONSE CURVES**

Frequency response curves have been measured on an axis at a distance of 1 m with 1 W input power.



Catalogue number: 2422 257 47106  
2422 257 47107

## Philips Components

Data sheet	
status	Product specification
date of issue	November 1989

# AD 80800/M series

## 8" Full Range Round Loudspeaker

### APPLICATION

Full range loudspeaker for audio applications.

### DESCRIPTION

• Frame	material: steel finish: zinc yellow
• Membrane	colour: black
• Suspension	material: paper
• Dust cap	material: paper colour: black
• Gasket	none

### TECHNICAL DATA

	version		unit
	/M4	/M8	
<b>Unmounted</b>			
Rated impedance	4	8	$\Omega$
Voice coil resistance	3.4	7	$\Omega$
Resonance frequency		85	Hz
Sweep voltage	5.5	7.7	V
Magnetic flux density		0.98	T
Loudspeaker mass		360	g
<b>Mounted</b>			
Characteristic sensitivity	92	90	dB/W/m
Maximum noise power		15.0	W

8" Full Range Round Loudspeaker

AD 80800/M series

MECHANICAL DATA

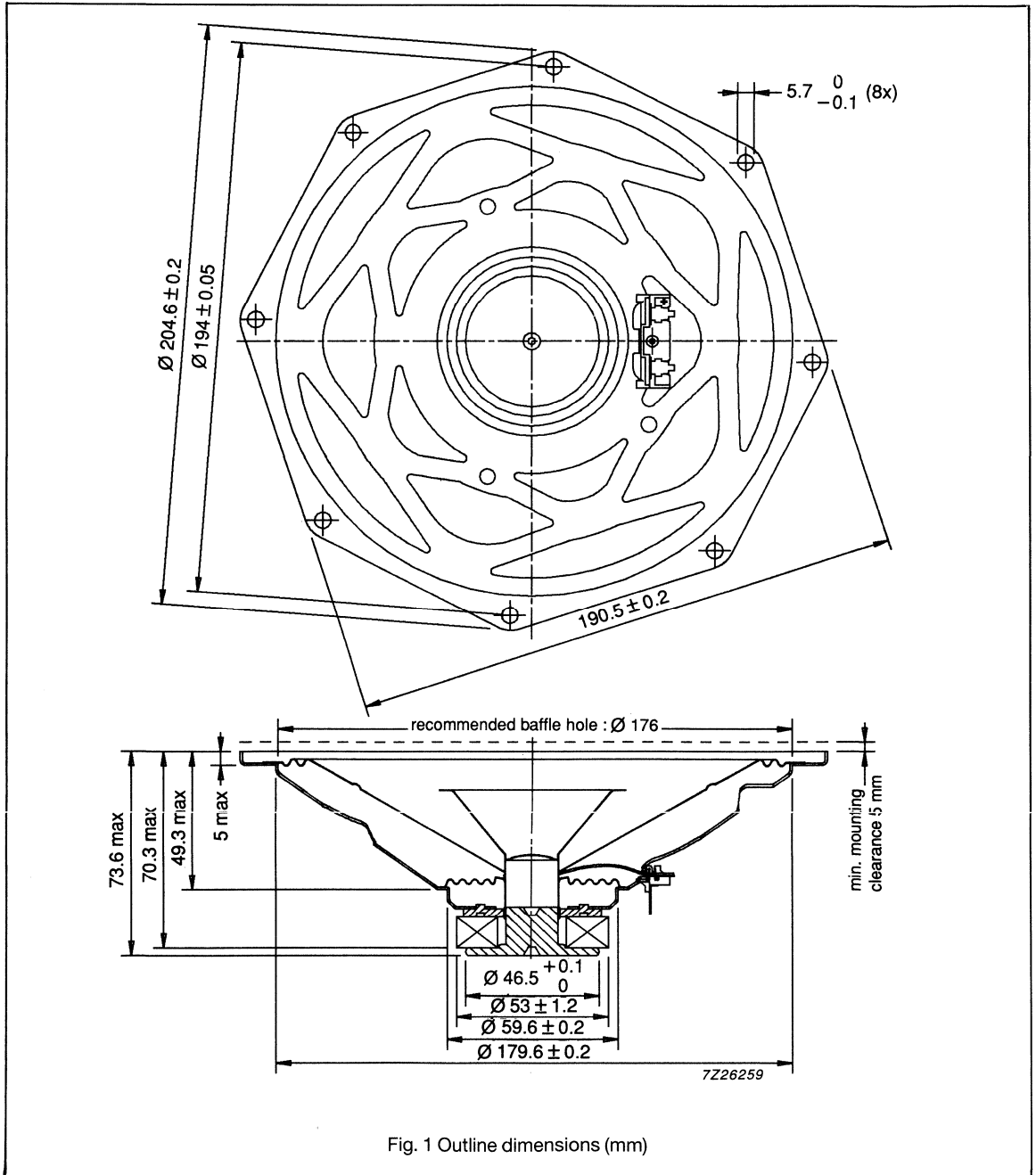


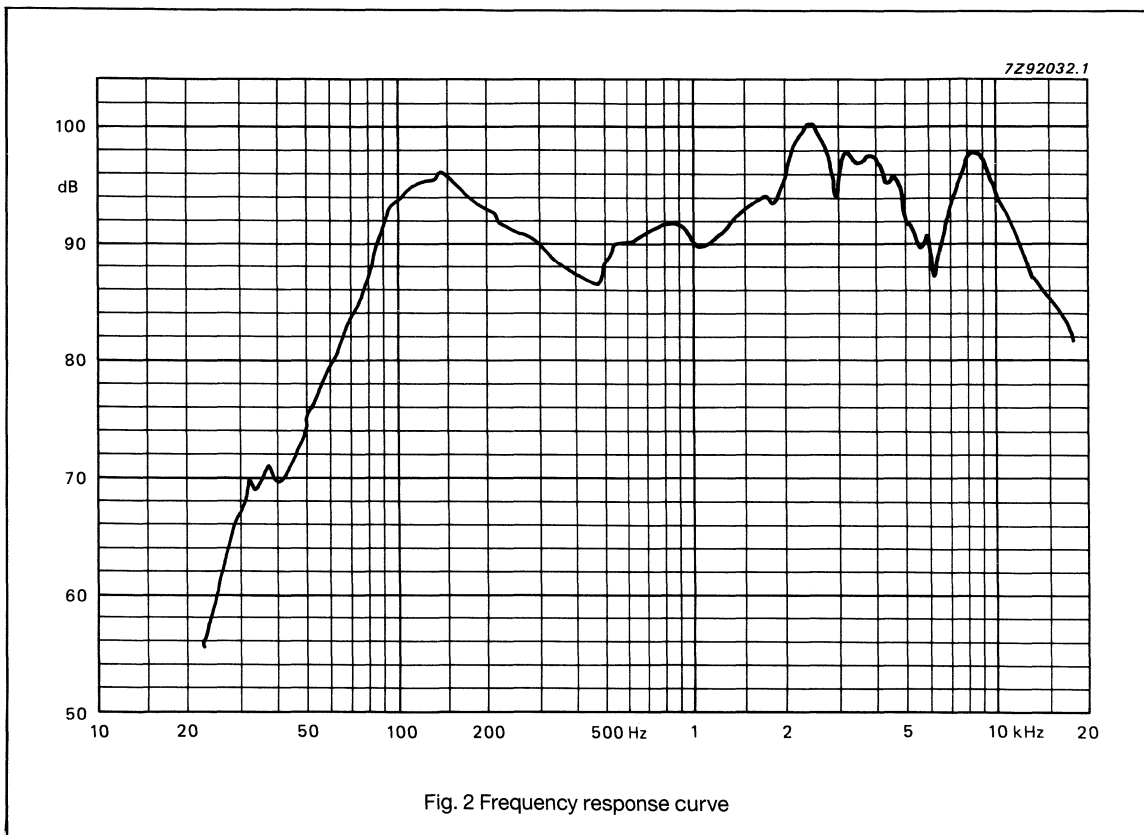
Fig. 1 Outline dimensions (mm)

# 8" Full Range Round Loudspeaker

# AD 80800/M series

## FREQUENCY RESPONSE CURVES

Frequency response curves have been measured on an axis at a distance of 1 m with 1 W input power.



Catalogue number: 2422 257 38705  
 2422 257 38706

**Philips Components**

Data sheet	
status	Product specification
date of issue	May 1990

# AD 80800/P series

## 8" Full Range Round Loudspeaker

**APPLICATION**

Full range loudspeaker for audio applications.

**DESCRIPTION**

• Frame	material: steel finish: zinc yellow
• Membrane	colour: black
• Suspension	material: paper
• Dust cap	material: paper colour: black
• Gasket	none

**TECHNICAL DATA**

	version		unit
	/P4	/P8	
<b>Unmounted</b>			
Rated impedance	4	8	$\Omega$
Voice coil resistance	3.4	7	$\Omega$
Resonance frequency	75		Hz
Sweep voltage	4.5	7.7	V
Magnetic flux density	0.68		T
Loudspeaker mass	370		g
<b>Mounted</b>			
Characteristic sensitivity	91		dB/W/m
Maximum noise power	10		W



8" Full Range Round Loudspeaker

AD 80800/P series

MECHANICAL DATA

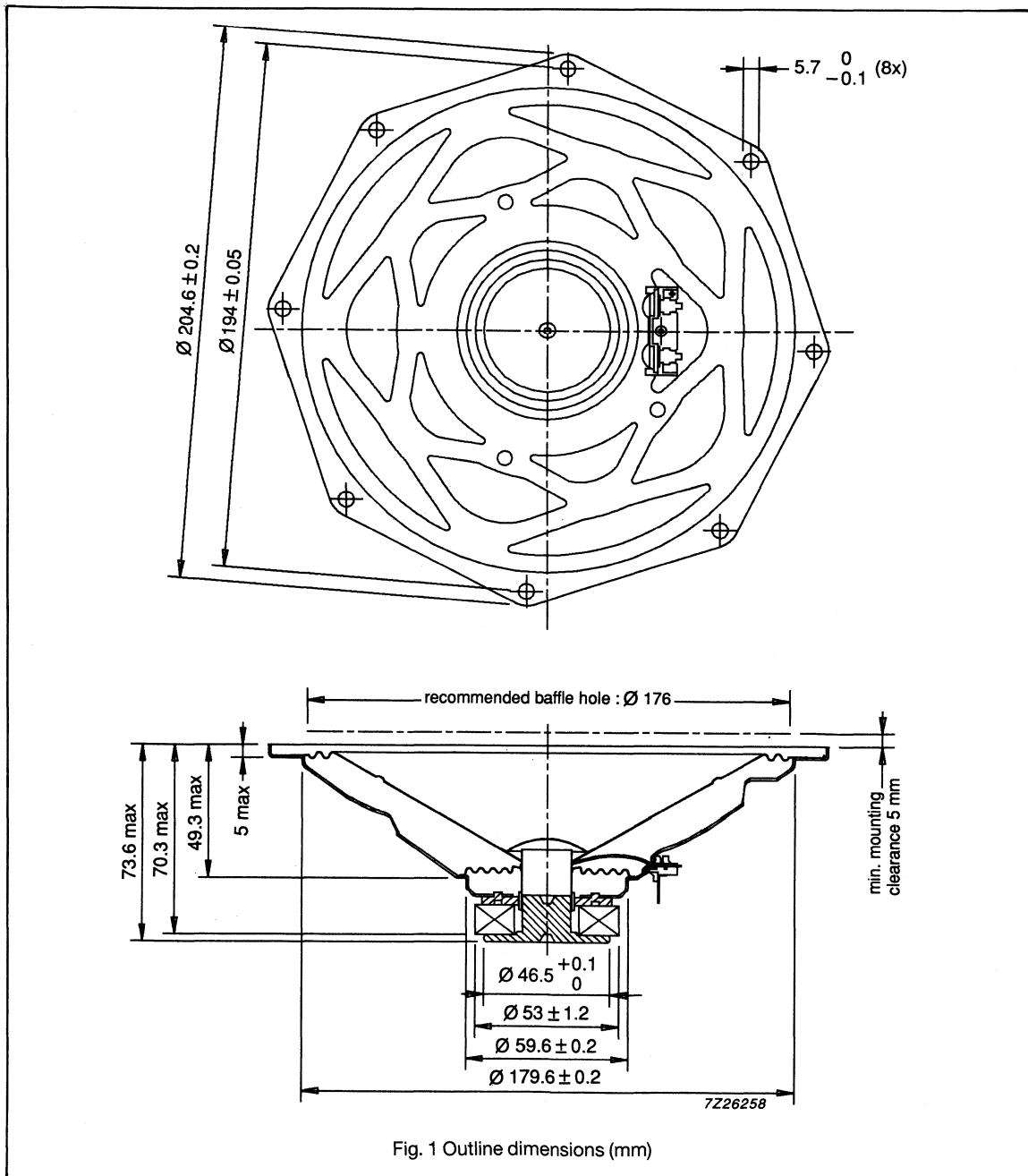
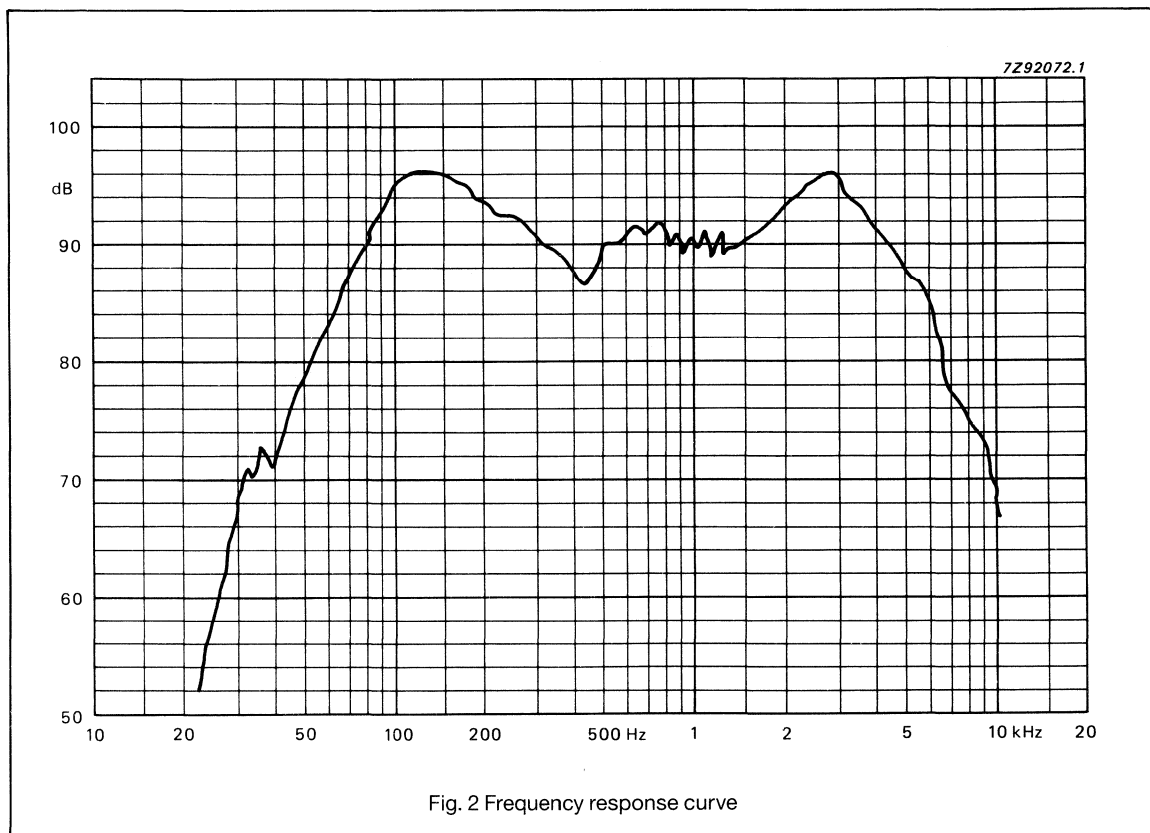


Fig. 1 Outline dimensions (mm)

**8" Full Range Round Loudspeaker****AD 80800/P series****FREQUENCY RESPONSE CURVES**

Frequency response curves have been measured on an axis at a distance of 1 m with 1 W input power.



Catalogue number: 2422 257 38715  
2422 257 38716

**Philips Components**

Data sheet	
status	Product specification
date of issue	May 1990

# AD 12672/M series

## 12" Full Range Round Loudspeaker

**APPLICATION**

Full range loudspeaker for audio applications.

**DESCRIPTION**

• Frame	material: steel finish: zinc black
• Membrane	colour: black
• Suspension	material: textile
• Dust cap	material: paper colour: black
• Gasket	material: plastic position: front

**TECHNICAL DATA**

	version		unit
	/M4	/M8	
<b>Unmounted</b>			
Rated impedance	4	8	$\Omega$
Voice coil resistance	3.5	6.6	$\Omega$
Resonance frequency	45		Hz
Sweep voltage	6.4	9.0	V
Magnetic flux density	88	89	T
Loudspeaker mass	1.8		kg
<b>Mounted</b>			
Characteristic sensitivity	92		dB/W/m
Maximum noise power	60		W

12" Full Range Round Loudspeaker

AD 12672/M series

MECHANICAL DATA

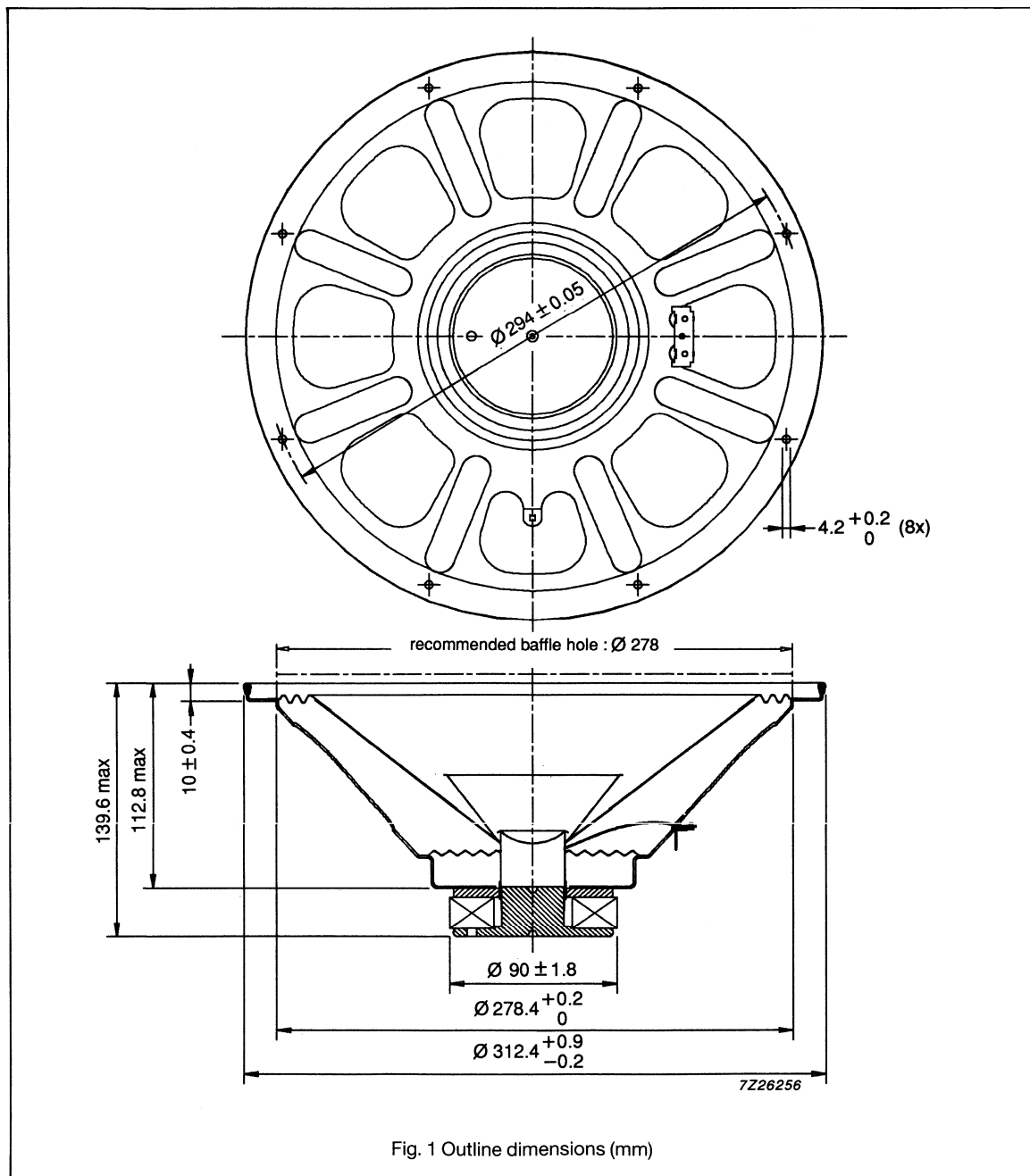
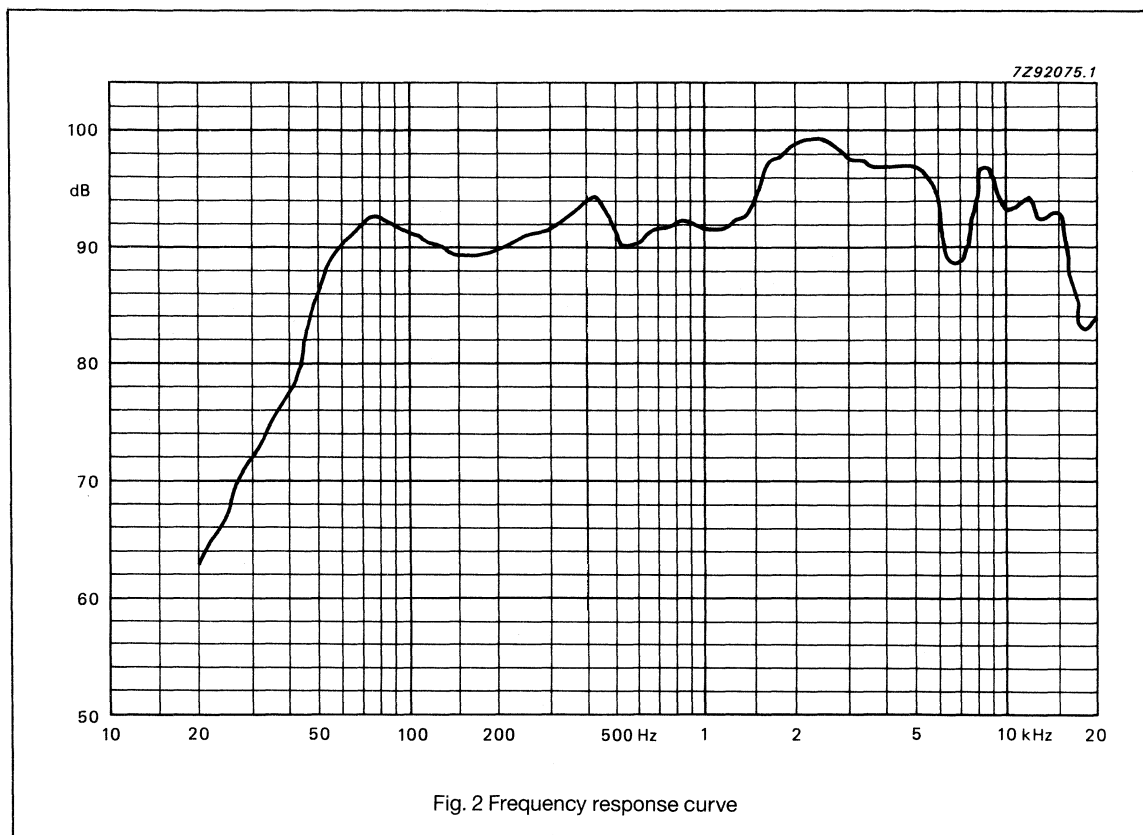


Fig. 1 Outline dimensions (mm)

**12" Full Range Round Loudspeaker****AD 12672/M series****FREQUENCY RESPONSE CURVES**

Frequency response curves have been measured on an axis at a distance of 1 m with 1 W input power.



Catalogue number: 2422 257 41104  
2422 257 41105

Data sheet	
status	Product specification
date of issue	May 1990

# AD 12202/M series

## 12" Full Range Round Loudspeaker

### APPLICATION

Full range loudspeaker for audio applications.

### DESCRIPTION

- |              |                                       |
|--------------|---------------------------------------|
| • Frame      | material: steel<br>finish: zinc black |
| • Membrane   | colour: black                         |
| • Suspension | material: textile                     |
| • Dust cap   | material: textile<br>colour: black    |
| • Gasket     | material: plastic<br>position: front  |

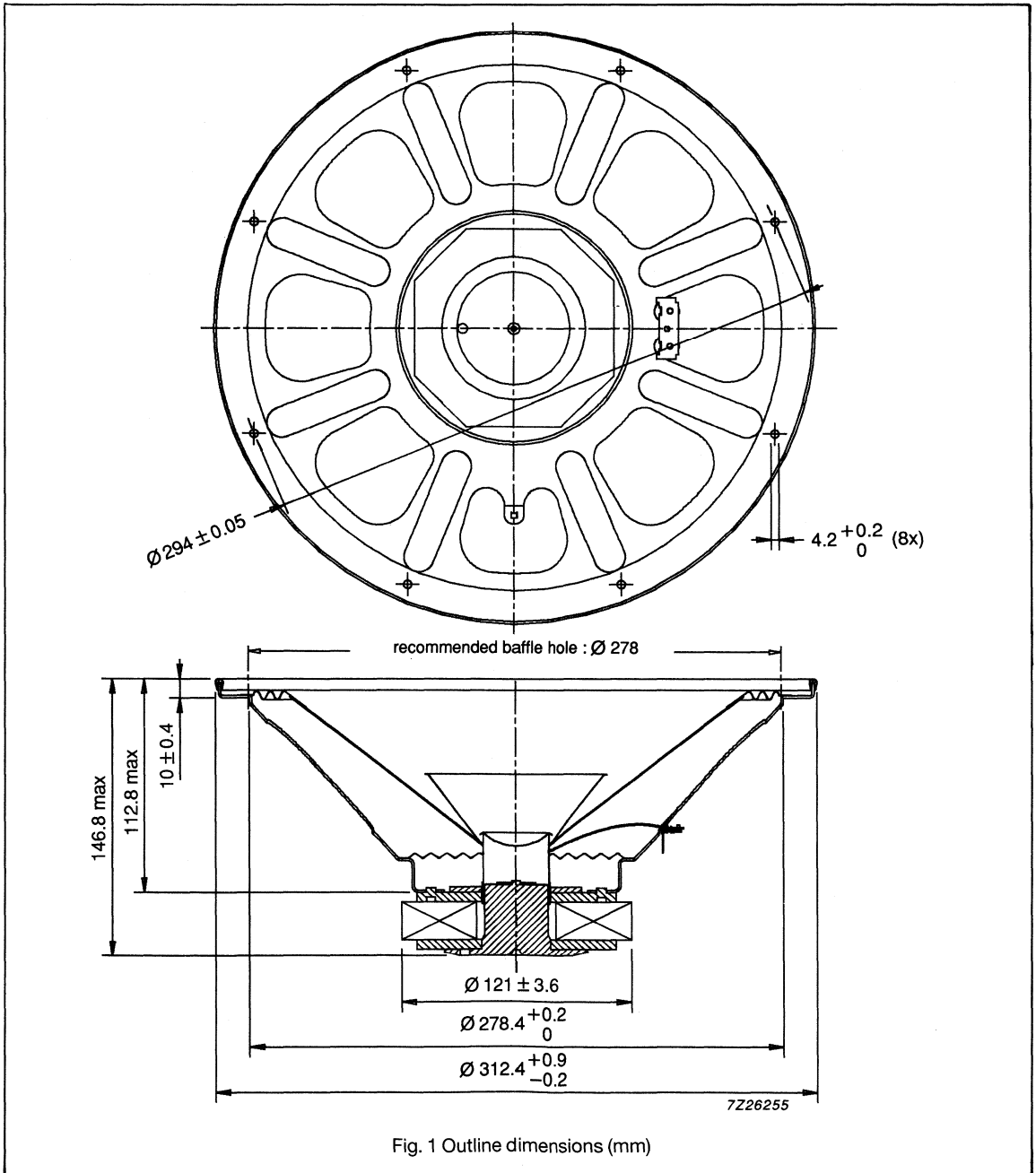
### TECHNICAL DATA

version	/M4	/M8	/M15	unit
<b>Unmounted</b>				
Rated impedance	4	8	15	Ω
Voice coil resistance	3.9	7.6	14.5	Ω
Resonance frequency	45	45	45	Hz
Sweep voltage	6.3	9	11.7	V
Magnetic flux density	1.10	1.11	1.10	T
Loudspeaker mass	2.8	2.8	2.8	kg
<b>Mounted</b>				
Characteristic sensitivity		97		dB/W/m
Maximum noise power		100		W

12" Full Range Round Loudspeaker

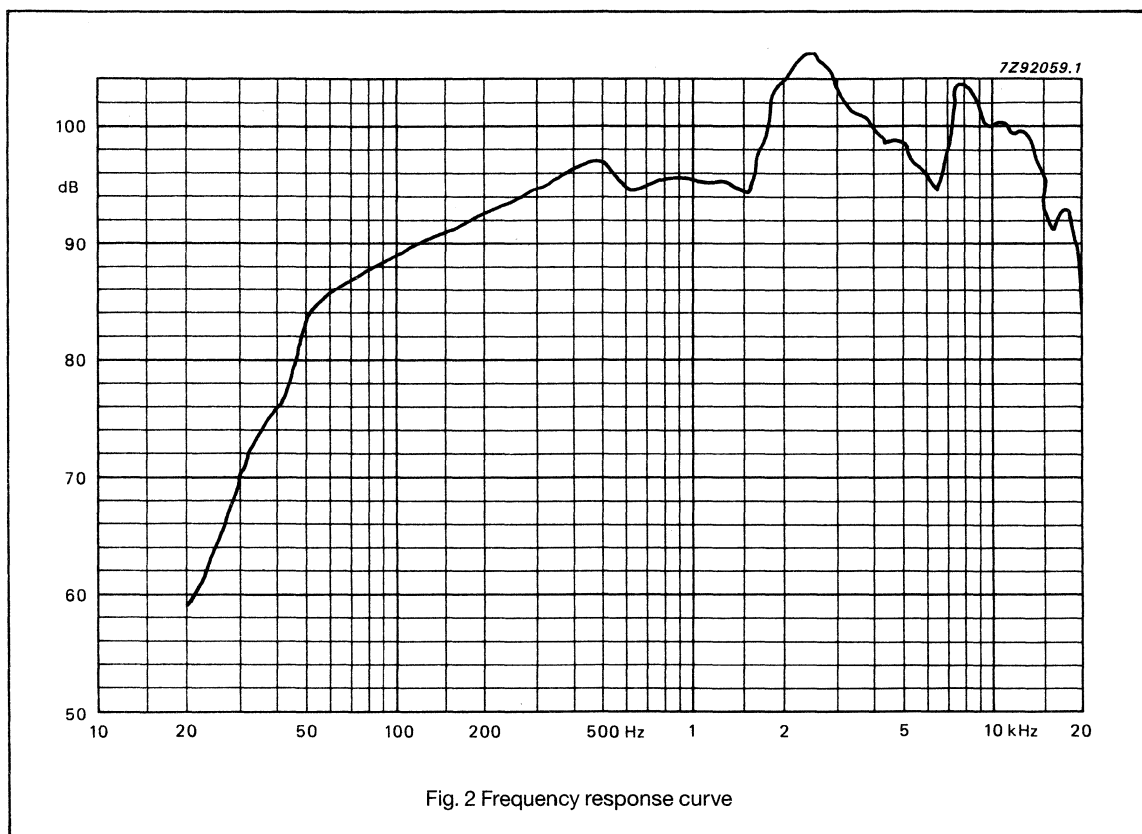
AD 12202/M series

MECHANICAL DATA



**12" Full Range Round Loudspeaker****AD 12202/M series****FREQUENCY RESPONSE CURVES**

Frequency response curves have been measured on an axis at a distance of 1 m with 1 W input power.



Catalogue number: 2422 257 51201  
2422 257 51202  
2422 257 51203



**CONVERSION LIST****12 NC TO TYPE NUMBER**

12 NC	Type	12 NC	Type
2403 251 10001	WD 50720/X4	2403 251 20701	WD 77725/X4
2403 251 10002	WD 50720/X8	2403 251 20702	WD 77725/X8
2403 251 10003	WD 50720/X15	2403 251 20703	WD 77725/X15
2403 251 10004	WD 50720/X25	2403 251 20704	WD 77725/X25
2403 251 10101	WD 55720/X4	2403 251 20901	WD 77745/X4
2403 251 10102	WD 55720/X8	2403 251 20902	WD 77745/X8
2403 251 10103	WD 55720/X15	2403 251 20903	WD 77745/X15
2403 251 10104	WD 55720/X25	2403 251 20904	WD 77745/X25
2403 251 10201	WD 50740/X4	2403 251 21101	WD 77765/X4
2403 251 10202	WD 50740/X8	2403 251 21102	WD 77765/X8
2403 251 10203	WD 50740/X15	2403 251 21103	WD 77765/X15
2403 251 10204	WD 50740/X25	2403 251 21104	WD 77765/X25
2403 251 10301	WD 55740/X4	2403 251 50001	WD 35720/X4
2403 251 10302	WD 55740/X8	2403 251 50002	WD 35720/X8
2403 251 10303	WD 55740/X15	2403 251 50003	WD 35720/X15
2403 251 10304	WD 55740/X25	2403 251 50004	WD 35720/X25
2403 251 10401	WD 50760/X4	2403 251 50101	WD 35722/X4
2403 251 10402	WD 50760/X8	2403 251 50102	WD 35722/X8
2403 251 10403	WD 50760/X15	2403 251 50103	WD 35722/X15
2403 251 10404	WD 50760/X25	2403 251 50104	WD 35722/X25
2403 251 10501	WD 55760/X4	2403 251 50201	WD 35740/X4
2403 251 10502	WD 55760/X8	2403 251 50202	WD 35740/X8
2403 251 10503	WD 55760/X15	2403 251 50203	WD 35740/X15
2403 251 10504	WD 55760/X25	2403 251 50204	WD 35740/X25
2403 251 10601	WD 50725/X4	2403 251 50301	WD 35742/X4
2403 251 10602	WD 50725/X8	2403 251 50302	WD 35742/X8
2403 251 10603	WD 50725/X15	2403 251 50303	WD 35742/X15
2403 251 10604	WD 50725/X25	2403 251 50304	WD 35742/X25
2403 251 10701	WD 55725/X4	2403 251 50401	WD 35760/X4
2403 251 10702	WD 55725/X8	2403 251 50402	WD 35760/X8
2403 251 10703	WD 55725/X15	2403 251 50403	WD 35760/X15
2403 251 10704	WD 55725/X25	2403 251 50404	WD 35760/X25
2403 251 10801	WD 50745/X4	2403 251 50501	WD 35762/X4
2403 251 10802	WD 50745/X8	2403 251 50502	WD 35762/X8
2403 251 10803	WD 50745/X15	2403 251 50503	WD 35762/X15
2403 251 10804	WD 50745/X25	2403 251 50504	WD 35762/X25
2403 251 10901	WD 55745/X4	2403 251 50601	WD 35725/X4
2403 251 10902	WD 55745/X8	2403 251 50602	WD 35725/X8
2403 251 10903	WD 55745/X15	2403 251 50603	WD 35725/X15
2403 251 10904	WD 55745/X25	2403 251 50604	WD 35725/X25
2403 251 11001	WD 50765/X4	2403 251 50701	WD 35727/X4
2403 251 11002	WD 50765/X8	2403 251 50702	WD 35727/X8
2403 251 11003	WD 50765/X15	2403 251 50703	WD 35727/X15
2403 251 11004	WD 50765/X25	2403 251 50704	WD 35727/X25
2403 251 11101	WD 55765/X4	2403 251 50801	WD 35745/X4
2403 251 11102	WD 55765/X8	2403 251 50802	WD 35745/X8
2403 251 11103	WD 55765/X15	2403 251 50803	WD 35745/X15
2403 251 11104	WD 55765/X25	2403 251 50804	WD 35745/X25

**CONVERSION LIST****12 NC TO TYPE NUMBER**

12 NC	Type	12 NC	Type
2403 251 50901	WD 35747/X4	2403 251 60301	WD 36742/X4
2403 251 50902	WD 35747/X8	2403 251 60302	WD 36742/X8
2403 251 50903	WD 35745/X15	2403 251 60303	WD 36742/X15
2403 251 50904	WD 35747/X25	2403 251 60304	WD 36742/X25
2403 251 51001	WD 35765/X4	2403 251 60401	WD 36760/X4
2403 251 51002	WD 35765/X8	2403 251 60402	WD 36760/X8
2403 251 51003	WD 35765/X15	2403 251 60403	WD 36760/X15
2403 251 51004	WD 35765/X25	2403 251 60404	WD 36760/X25
2403 251 51101	WD 35767/X4	2403 251 60501	WD 36762/X4
2403 251 51102	WD 35767/X8	2403 251 60502	WD 36762/X8
2403 251 51103	WD 35767/X15	2403 251 60503	WD 36762/X15
2403 251 51104	WD 35767/X25	2403 251 60504	WD 36762/X25
2403 251 51201	WD 35721/X4	2403 251 60601	WD 36725/X4
2403 251 51202	WD 35721/X8	2403 251 60602	WD 36725/X8
2403 251 51203	WD 35721/X15	2403 251 60603	WD 36725/X15
2403 251 51204	WD 35721/X25	2403 251 60604	WD 36725/X25
2403 251 51301	WD 35741/X4	2403 251 60701	WD 36727/X4
2403 251 51302	WD 35741/X8	2403 251 60702	WD 36727/X8
2403 251 51303	WD 35741/X15	2403 251 60703	WD 36727/X15
2403 251 51304	WD 35741/X25	2403 251 60704	WD 36727/X25
2403 251 51401	WD 35761/X4	2403 251 60801	WD 36745/X4
2403 251 51402	WD 35761/X8	2403 251 60802	WD 36745/X8
2403 251 51403	WD 35761/X15	2403 251 60803	WD 36745/X15
2403 251 51404	WD 35761/X25	2403 251 60804	WD 36745/X25
2403 251 51501	WD 35726/X4	2403 251 60901	WD 36747/X4
2403 251 51502	WD 35726/X8	2403 251 60902	WD 36747/X8
2403 251 51503	WD 35726/X15	2403 251 60903	WD 36747/X15
2403 251 51504	WD 35726/X25	2403 251 60904	WD 36747/X25
2403 251 51601	WD 35746/X4	2403 251 61001	WD 36765/X4
2403 251 51602	WD 35746/X8	2403 251 61002	WD 36765/X8
2403 251 51603	WD 35746/X15	2403 251 61003	WD 36765/X15
2403 251 51604	WD 35746/X25	2403 251 61004	WD 36765/X25
2403 251 51701	WD 35766/X4	2403 251 61101	WD 36767/X4
2403 251 51702	WD 35766/X8	2403 251 61102	WD 36767/X8
2403 251 51703	WD 35766/X15	2403 251 61103	WD 36767/X15
2403 251 51704	WD 35766/X25	2403 251 61104	WD 36767/X25
2403 251 60001	WD 36720/X4	2403 251 80001	WD 46720/X4
2403 251 60002	WD 36720/X8	2403 251 80002	WD 46720/X8
2403 251 60003	WD 36720/X15	2403 251 80003	WD 46720/X15
2403 251 60004	WD 36720/X25	2403 251 80004	WD 46720/X25
2403 251 60101	WD 36722/X4	2403 251 80101	WD 46722/X4
2403 251 60102	WD 36722/X8	2403 251 80102	WD 46722/X8
2403 251 60103	WD 36722/X15	2403 251 80103	WD 46722/X15
2403 251 60104	WD 36722/X25	2403 251 80104	WD 46722/X25
2403 251 60201	WD 36740/X4	2403 251 80201	WD 46740/X4
2403 251 60202	WD 36740/X8	2403 251 80202	WD 46740/X8
2403 251 60203	WD 36740/X15	2403 251 80203	WD 46740/X15
2403 251 60204	WD 36740/X25	2403 251 80204	WD 46740/X25

**CONVERSION LIST****12 NC TO TYPE NUMBER**

12 NC	Type	12 NC	Type
2403 251 80301	WD 46742/X4	2403 251 81501	WD 46726/X4
2403 251 80302	WD 46742/X8	2403 251 81601	WD 46746/X4
2403 251 80303	WD 46742/X15	2403 251 81602	WD 46746/X8
2403 251 80304	WD 46742/X25	2403 251 81603	WD 46746/X15
2403 251 80401	WD 46760/X4	2403 251 81604	WD 46746/X25
2403 251 80402	WD 46760/X8	2403 251 81701	WD 46766/X4
2403 251 80403	WD 46760/X15	2403 251 81702	WD 46766/X8
2403 251 80404	WD 46760/X25	2403 251 81703	WD 46766/X15
2403 251 80501	WD 46762/X4	2403 251 81704	WD 46766/X25
2403 251 80502	WD 46762/X8	2403 253 00601	WD 40925/X4
2403 251 80503	WD 46762/X15	2403 253 00602	WD 40925/X8
2403 251 80504	WD 46762/X25	2403 253 00603	WD 40925/X15
2403 251 80601	WD 46725/X4	2403 253 00604	WD 40925/X25
2403 251 80602	WD 46725/X8	2403 253 00701	WD 44925/X4
2403 251 80603	WD 46725/X15	2403 253 00702	WD 44925/X8
2403 251 80604	WD 46725/X25	2403 253 00703	WD 44925/X15
2403 251 80701	WD 46727/X4	2403 253 00704	WD 44925/X25
2403 251 80702	WD 46727/X8	2403 253 00801	WD 40945/X4
2403 251 80703	WD 46727/X15	2403 253 00802	WD 40945/X8
2403 251 80704	WD 46727/X25	2403 253 00803	WD 40945/X15
2403 251 80801	WD 46745/X4	2403 253 00804	WD 40945/X25
2403 251 80802	WD 46745/X8	2403 253 00901	WD 44945/X4
2403 251 80803	WD 46745/X15	2403 253 00902	WD 44945/X8
2403 251 80804	WD 46745/X25	2403 253 00903	WD 44945/X15
2403 251 80901	WD 46747/X4	2403 253 00904	WD 44945/X25
2403 251 80902	WD 46747/X8	2403 253 01001	WD 40965/X4
2403 251 80903	WD 46747/X15	2403 253 01002	WD 40965/X8
2403 251 80904	WD 46747/X25	2403 253 01003	WD 40965/X15
2403 251 81001	WD 46765/X4	2403 253 01004	WD 40965/X25
2403 251 81002	WD 46765/X8	2403 253 01101	WD 44965/X4
2403 251 81003	WD 46765/X15	2403 253 01102	WD 44965/X8
2403 251 81004	WD 46765/X25	2403 253 01103	WD 44965/X15
2403 251 81101	WD 46767/X4	2403 253 01104	WD 44965/X25
2403 251 81102	WD 46767/X8	2403 253 10601	WD 50925/X4
2403 251 81103	WD 46767/X15	2403 253 10602	WD 50925/X8
2403 251 81104	WD 46767/X25	2403 253 10603	WD 50925/X15
2403 251 81201	WD 46721/X4	2403 253 10604	WD 50925/X25
2403 251 81202	WD 46721/X8	2403 253 10701	WD 55925/X4
2403 251 81203	WD 46721/X15	2403 253 10702	WD 55925/X8
2403 251 81204	WD 46721/X25	2403 253 10703	WD 55925/X15
2403 251 81301	WD 46741/X4	2403 253 10704	WD 55925/X25
2403 251 81302	WD 46741/X8	2403 253 10801	WD 50945/X4
2403 251 81303	WD 46741/X15	2403 253 10802	WD 50945/X8
2403 251 81304	WD 46721/X25	2403 253 10803	WD 50945/X15
2403 251 81401	WD 46761/X4	2403 253 10804	WD 50945/X25
2403 251 81402	WD 46761/X8	2403 253 10901	WD 55945/X4
2403 251 81403	WD 46761/X15	2403 253 10902	WD 55945/X8
2403 251 81404	WD 46761/X25	2403 253 10903	WD 55945/X15

**CONVERSION LIST****12 NC TO TYPE NUMBER**

12 NC	Type	12 NC	Type
2403 253 10904	WD 55945/X25	2403 253 60601	WD 36925/X4
2403 253 11001	WD 50965/X4	2403 253 60602	WD 36925/X8
2403 253 11002	WD 50965/X8	2403 253 60603	WD 36925/X15
2403 253 11003	WD 50965/X15	2403 253 60604	WD 36925/X25
2403 253 11004	WD 50965/X25	2403 253 60701	WD 36927/X4
2403 253 11101	WD 55965/X4	2403 253 60702	WD 36927/X8
2403 253 11102	WD 55965/X8	2403 253 60703	WD 36927/X15
2403 253 11103	WD 55965/X15	2403 253 60704	WD 36927/X25
2403 253 11104	WD 55965/X25	2403 253 60801	WD 36945/X4
2403 253 11301	WD 51921/M4W	2403 253 60802	WD 36945/X8
2403 253 11401	WD 55925/X4W	2403 253 60803	WD 36945/X15
2403 253 11501	WD 55925/M4W	2403 253 60804	WD 36945/X25
2403 253 20601	WD 70925/X4	2403 253 60901	WD 36947/X4
2403 253 20602	WD 70925/X8	2403 253 60902	WD 36947/X8
2403 253 20603	WD 70925/X15	2403 253 60903	WD 36947/X15
2403 253 20604	WD 70925/X25	2403 253 60904	WD 36947/X25
2403 253 20701	WD 77925/X4	2403 253 61001	WD 36965/X4
2403 253 20702	WD 77925/X8	2403 253 61002	WD 36965/X8
2403 253 20703	WD 77925/X15	2403 253 61003	WD 36965/X15
2403 253 20704	WD 77925/X25	2403 253 61004	WD 36965/X25
2403 253 20801	WD 70945/X4	2403 253 61101	WD 36967/X4
2403 253 20802	WD 70945/X8	2403 253 61102	WD 36967/X8
2403 253 20803	WD 70945/X15	2403 253 61103	WD 36967/X15
2403 253 20804	WD 70945/X25	2403 253 61104	WD 36967/X25
2403 253 20901	WD 77945/X4	2403 253 80601	WD 46925/X4
2403 253 20902	WD 77945/X8	2403 253 80602	WD 46925/X8
2403 253 20903	WD 77945/X15	2403 253 80603	WD 46925/X15
2403 253 20904	WD 77945/X25	2403 253 80604	WD 46925/X25
2403 253 21001	WD 70965/X4	2403 253 80701	WD 46927/X4
2403 253 21002	WD 70965/X8	2403 253 80702	WD 46927/X8
2403 253 21003	WD 70965/X15	2403 253 80703	WD 46927/X15
2403 253 21004	WD 70965/X25	2403 253 80704	WD 46927/X25
2403 253 21101	WD 77965/X4	2403 253 80801	WD 46945/X4
2403 253 21102	WD 77965/X8	2403 253 80802	WD 46945/X8
2403 253 21103	WD 77965/X15	2403 253 80803	WD 46945/X15
2403 253 21104	WD 77965/X25	2403 253 80804	WD 46945/X25
2403 253 21501	WD 71926/X4	2403 253 80901	WD 46947/X4
2403 253 21502	WD 71926/X8	2403 253 80902	WD 46947/X8
2403 253 21503	WD 71926/X15	2403 253 80903	WD 46947/X15
2403 253 21504	WD 71926/X25	2403 253 80904	WD 46947/X25
2403 253 21601	WD 71946/X4	2403 253 81001	WD 46965/X4
2403 253 21602	WD 71946/X8	2403 253 81002	WD 46965/X8
2403 253 21603	WD 71946/X15	2403 253 81003	WD 46965/X15
2403 253 21604	WD 71946/X25	2403 253 81004	WD 46965/X25
2403 253 21701	WD 71966/X4	2403 253 81101	WD 46967/X4
2403 253 21702	WD 71966/X8	2403 253 81102	WD 46967/X8
2403 253 21703	WD 71966/X15	2403 253 81103	WD 46967/X15
2403 253 21704	WD 71966/X25	2403 253 81104	WD 46967/X25

**CONVERSION LIST****12 NC TO TYPE NUMBER**

12 NC	Type	12 NC	Type
2403 253 81501	WD 46926/X4	2403 257 23501	AD 3371/Y4
2403 253 81502	WD 46926/X8	2403 257 23502	AD 3371/Y8
2403 253 81503	WD 46926/X15	2403 257 23503	AD 3371/Y15
2403 253 81504	WD 46926/X25	2403 257 23504	AD 3371/Y25
2403 253 81601	WD 46946/X4	2403 257 23505	AD 3371/Y50
2403 253 81602	WD 46946/X8	2403 257 23601	AD 3071/Y4
2403 253 81603	WD 46946/X15	2403 257 23602	AD 3071/Y8
2403 253 81604	WD 46946/X25	2403 257 23603	AD 3071/Y15
2403 253 81701	WD 46966/X4	2403 257 23604	AD 3071/Y25
2403 253 81702	WD 46966/X8	2403 257 23605	AD 3071/Y50
2403 253 81703	WD 46966/X15	2403 257 23701	AD 30743/Y4
2403 253 81704	WD 46966/X25	2403 257 23702	AD 30743/Y8
2403 255 21001	WD 01621/Y4L	2403 257 23703	AD 30743/Y15
2403 255 21002	WD 01621/Y8L	2403 257 23704	AD 30743/Y25
2403 255 21003	WD 01621/Y15L	2403 257 23901	AD 33743/Y4
2403 255 21004	WD 01621/Y25L	2403 257 23902	AD 33743/Y8
2403 255 21005	WD 01621/Y50L	2403 257 23903	AD 33743/Y15
2403 255 21006	WD 01621/Y110L	2403 257 23904	AD 33743/Y25
2403 255 21007	WD 01621/Y150L	2403 257 24205	AD 4072/X4
2403 255 31001	WD 20621/Y4L	2403 257 24206	AD 4072/X8
2403 255 31002	WD 20621/Y8L	2403 257 24207	AD 4072/X15
2403 255 31003	WD 20621/Y15L	2403 257 24208	AD 4072/X25
2403 255 31004	WD 20621/Y25L	2403 257 24405	AD 40743/X4
2403 255 31005	WD 20621/Y50L	2403 257 24406	AD 40743/X8
2403 255 31006	WD 20621/Y110L	2403 257 24407	AD 40743/X15
2403 255 31007	WD 20621/Y150L	2403 257 24408	AD 40743/X25
2403 256 12401	AD 01985/Y25	2403 257 24505	AD 44743/X4
2403 256 12402	AD 01985/Y15	2403 257 24506	AD 44743/X8
2403 256 12403	AD 01985/Y8	2403 257 24507	AD 44743/X15
2403 256 12501	AD 01980/Y25	2403 257 24508	AD 44743/X25
2403 256 12502	AD 01980/Y15	2403 257 24705	AD 4474/X4
2403 256 12503	AD 01980/Y8	2403 257 24706	AD 4474/X8
2403 257 23101	AD 2071/Z4	2403 257 24707	AD 4474/X15
2403 257 23102	AD 2071/Z8	2403 257 24708	AD 4474/X25
2403 257 23103	AD 2071/Z15	2403 257 24805	AD 4472/X4
2403 257 23104	AD 2071/Z25	2403 257 24806	AD 4472/X8
2403 257 23105	AD 2071/Z150	2403 257 24807	AD 4472/X15
2403 257 23106	AD 2071/Z50	2403 257 24808	AD 4472/X25
2403 257 23107	AD 2071/Z300	2403 257 54205	AD 40725/X4
2403 257 23108	AD 2071/Z110	2403 257 54206	AD 40725/X8
2403 257 23201	AD 3074/Y4	2403 257 54207	AD 40725/X15
2403 257 23202	AD 3074/Y8	2403 257 54208	AD 40725/X25
2403 257 23203	AD 3074/Y15	2403 257 54305	AD 40745/X4
2403 257 23204	AD 3074/Y25	2403 257 54306	AD 40745/X8
2403 257 23301	AD 3374/Y4	2403 257 54307	AD 40745/X15
2403 257 23302	AD 3374/Y8	2403 257 54308	AD 40745/X25
2403 257 23303	AD 3374/Y15	2403 257 54405	AD 40743/X4A
2403 257 23304	AD 3374/Y25	2403 257 54406	AD 40743/X8A

**CONVERSION LIST****12 NC TO TYPE NUMBER**

12 NC	Type	12 NC	Type
2403 257 54407	AD 40743/X15A	2422 257 29203	AD 36901/X15
2403 257 54408	AD 40743/X25A	2422 257 29316	AD 26952/X8
2403 257 54505	AD 44743/X4A	2422 257 29416	AD 26320/X8
2403 257 54506	AD 44743/X8A	2422 257 29417	AD 26321/X15
2403 257 54507	AD 44743/X15A	2422 257 31404	AD 12672/W8
2403 257 54508	AD 44743/X25A	2422 257 31508	AD 12202/W8
2403 257 54705	AD 44745/X4	2422 257 31704	AD 10672/W8
2403 257 54706	AD 44745/X8	2422 257 31807	AD 10202/W8
2403 257 54707	AD 44745/X25	2422 257 32201	AD 02110/SQ4
2403 257 54805	AD 44725/X4	2422 257 32202	AD 02110/SQ8
2403 257 54806	AD 44725/X8	2422 257 32811	AD 22304/T4
2403 257 54807	AD 44725/X15	2422 257 32812	AD 22304/T8
2403 257 54808	AD 44725/X25	2422 257 33201	AD 0140/T4
2404 256 32404	00 00960/T8	2422 257 33202	AD 0140/T8
2404 256 32502	AD 00960/T4	2422 257 33311	AD 0162/T4
2404 257 27812	00 70802/W4	2422 257 33312	AD 0162/T8
2404 257 27904	00 70805/W8	2422 257 33401	AD 0163/T4
2404 257 29701	00 36400/X4K	2422 257 33402	AD 0163/T8
2404 257 34518	00 3080/X4S	2422 257 34512	AD 33910/X8SA
2404 257 43506	00 11601/T4	2422 257 35812	AD 51400/M4
2404 257 43606	00 00401/T4	2422 257 35918	AD 51900/W8M
2404 257 44104	00 44401/X4	2422 257 38705	AD 80800/M4
2404 257 45311	AD 50410/M4K	2422 257 38706	AD 80800/M8
2404 257 48504	00 80667/W4	2422 257 38715	AD 80800/P4
2404 257 48505	00 80667/W8	2422 257 38716	AD 80800/P8
2422 257 20213	AD 46420/X4	2422 257 38805	00 80800/W4
2422 257 20601	AD 46905/X4SA	2422 257 38806	00 80800/W8
2422 257 22101	AD 20360/T4	2422 257 40902	AD 38510/W8A
2422 257 22102	AD 20360/T8	2422 257 41104	AD 12672/M4
2422 257 22111	AD 22360/T4	2422 257 41105	AD 12672/M8
2422 257 22112	AD 22360/T8	2422 257 43316	AD 11802/T8
2422 257 22201	AD 20370/T4	2422 257 43401	AD 11400/T4
2422 257 22202	AD 20370/T8	2422 257 43402	AD 11400/T8
2422 257 22211	AD 22370/T4	2422 257 43416	AD 11401/T4
2422 257 22212	AD 22370/T8	2422 257 43417	AD 11401/T8
2422 257 22301	AD 00300/T4FF	2422 257 43501	AD 11600/T4
2422 257 22303	AD 00301/T4FF	2422 257 43502	AD 11600/T8
2422 257 22305	AD 00302/T4FF	2422 257 43504	AD 11610/T4
2422 257 24407	AD 35850/X8	2422 257 43505	AD 11610/T8
2422 257 25105	AD 50800/M4	2422 257 43803	AD 00845/T4
2422 257 25106	AD 50800/M8	2422 257 43804	AD 00845/T8
2422 257 27202	00 70400/W8	2422 257 43901	AD 00200/T4FF
2422 257 27808	AD 70803/W8	2422 257 43907	AD 00201/T4FF
2422 257 28203	00 80400/W4	2422 257 43911	AD 00202/T4FF
2422 257 29001	AD 36510/W4	2422 257 44101	AD 44400/M4K
2422 257 29005	AD 36900/W4	2422 257 44201	AD 44900/X4
2422 257 29006	AD 36900/W8	2422 257 44202	AD 44900/X8
2422 257 29202	AD 36901/X8	2422 257 44203	AD 44900/X15

**CONVERSION LIST****12 NC TO TYPE NUMBER**

12 NC	Type
2422 257 44205	AD 44900/W4
2422 257 44206	AD 44900/W8
2422 257 44305	AD 44900/P4M
2422 257 44306	AD 44900/P8M
2422 257 44307	AD 44900/P15M
2422 257 45001	AD 50600/SQ4
2422 257 45002	AD 50600/SQ8
2422 257 45501	AD 51410/M4K
2422 257 47106	AD 70631/M4
2422 257 47107	AD 70631/M8
2422 257 47113	AD 70604/W4
2422 257 47114	AD 70604/W8
2422 257 47215	AD 70654/W4
2422 257 47216	AD 70654/W8
2422 257 47405	AD 70800/M4
2422 257 47406	AD 70800/M8
2422 257 47804	AD 70845/X4
2422 257 47805	AD 70845/M4
2422 257 47806	AD 70845/M8
2422 257 47808	AD 70845/X8
2422 257 48203	AD 80626/W8
2422 257 48204	AD 80626/W4
2422 257 48403	AD 80622/W4
2422 257 48404	AD 80622/W8
2422 257 48405	AD 80623/W4
2422 257 48407	AD 80627/W4
2422 257 48511	AD 80652/W4
2422 257 48512	AD 80652/W8
2422 257 51201	AD 12202/M4
2422 257 51202	AD 12202/M8
2422 257 51203	AD 12202/M15
2422 257 52002	AD 21600/RT8
2422 257 53112	AD 33303/SQ8
2422 257 61004	AD 12252/W8

**CONVERSION LIST****TYPE NUMBER TO 12 NC**

Type	12 NC	Type	12 NC
00 00401/T4	2404 257 43606	AD 12202/M15	2422 257 51203
00 00960/T8	2404 256 32404	AD 12202/M4	2422 257 51201
00 11601/T4	2404 257 43506	AD 12202/M8	2422 257 51202
00 3080/X4S	2404 257 34518	AD 12202/W8	2422 257 31508
00 36400/X4K	2404 257 29701	AD 12252/W8	2422 257 61004
00 44401/X4	2404 257 44104	AD 12672/M4	2422 257 41104
00 70400/W8	2422 257 27202	AD 12672/M8	2422 257 41105
00 70802/W4	2404 257 27812	AD 12672/W8	2422 257 31404
00 70805/W8	2404 257 27904	AD 20360/T4	2422 257 22101
00 80400/W4	2422 257 28203	AD 20360/T8	2422 257 22102
00 80667/W4	2404 257 48504	AD 20370/T4	2422 257 22201
00 80667/W8	2404 257 48505	AD 20370/T8	2422 257 22202
00 80800/W4	2422 257 38805	AD 2071/Z110	2403 257 23108
00 80800/W8	2422 257 38806	AD 2071/Z15	2403 257 23103
AD 00200/T4FF	2422 257 43901	AD 2071/Z150	2403 257 23105
AD 00201/T4FF	2422 257 43907	AD 2071/Z25	2403 257 23104
AD 00202/T4FF	2422 257 43911	AD 2071/Z300	2403 257 23107
AD 00300/T4FF	2422 257 22301	AD 2071/Z4	2403 257 23101
AD 00301/T4FF	2422 257 22303	AD 2071/Z50	2403 257 23106
AD 00302/T4FF	2422 257 22305	AD 2071/Z8	2403 257 23102
AD 00845/T4	2422 257 43803	AD 21600/RT8	2422 257 52002
AD 00845/T8	2422 257 43804	AD 22304/T4	2422 257 32811
AD 00972/T4	2404 256 32502	AD 22304/T8	2422 257 32812
AD 0140/T4	2422 257 33201	AD 22360/T4	2422 257 22111
AD 0140/T8	2422 257 33202	AD 22360/T8	2422 257 22112
AD 0162/T4	2422 257 33311	AD 22370/T4	2422 257 22211
AD 0162/T8	2422 257 33312	AD 22370/T8	2422 257 22212
AD 0163/T4	2422 257 33401	AD 26320/X8	2422 257 29416
AD 0163/T8	2422 257 33402	AD 26321/X15	2422 257 29417
AD 01980/Y15	2403 257 12502	AD 26952/X8	2422 257 29316
AD 01980/Y25	2403 256 12501	AD 3071/Y15	2403 257 23603
AD 01980/Y8	2403 256 12503	AD 3071/Y25	2403 257 23604
AD 01985/Y15	2403 256 12402	AD 3071/Y4	2403 257 23601
AD 01985/Y25	2403 256 12401	AD 3071/Y50	2403 257 23605
AD 01985/Y8	2403 256 12403	AD 3071/Y8	2403 257 23602
AD 02110/SQ4	2422 257 32201	AD 3074/Y15	2403 257 23203
AD 02110/SQ8	2422 257 32202	AD 3074/Y25	2403 257 23204
AD 10202/W8	2422 257 31807	AD 3074/Y4	2403 257 23201
AD 10672/W8	2422 257 31704	AD 3074/Y8	2403 257 23202
AD 11400/T4	2422 257 43401	AD 30743/Y15	2403 257 23703
AD 11400/T8	2422 257 43402	AD 30743/Y25	2403 257 23704
AD 11401/T4	2422 257 43416	AD 30743/Y4	2403 257 23701
AD 11401/T8	2422 257 43417	AD 30743/Y8	2403 257 23702
AD 11600/T4	2422 257 43501	AD 33303/SQ8	2422 257 53112
AD 11600/T8	2422 257 43502	AD 3371/Y15	2403 257 23503
AD 11610/T4	2422 257 43504	AD 3371/Y25	2403 257 23504
AD 11610/T8	2422 257 43505	AD 3371/Y4	2403 257 23501
AD 11802/T8	2422 257 43316	AD 3371/Y50	2403 257 23505



**CONVERSION LIST****TYPE NUMBER TO 12 NC**

Type	12 NC	Type	12 NC
AD 3371/Y8	2403 257 23502	AD 44725/X4	2403 257 54805
AD 3374/Y15	2403 257 23303	AD 44725/X8	2403 257 54806
AD 3374/Y25	2403 257 23304	AD 4474/X15	2403 257 24707
AD 3374/Y4	2403 257 23301	AD 4474/X25	2403 257 24708
AD 3374/Y8	2403 257 23302	AD 4474/X4	2403 257 24705
AD 33743/Y15	2403 257 23903	AD 4474/X8	2403 257 24706
AD 33743/Y25	2403 257 23904	AD 44743/X15	2403 257 24507
AD 33743/Y4	2403 257 23901	AD 44743/X25	2403 257 24508
AD 33743/Y8	2403 257 23902	AD 44743/X4	2403 257 24505
AD 33910/X8SA	2422 257 34512	AD 44743/X8	2403 257 24506
AD 35850/X4	2422 257 24407	AD 44743/X15A	2403 257 54507
AD 36510/W4	2422 257 29001	AD 44743/X25A	2403 257 54508
AD 36900/W4	2422 257 29005	AD 44743/X4A	2403 257 54505
AD 36900/W8	2422 257 29006	AD 44743/X8A	2403 257 54506
AD 36901/X15	2422 257 29203	AD 44745/X15	2403 257 54707
AD 36901/X8	2422 257 29202	AD 44745/X25	2403 257 54708
AD 38510/W8A	2422 257 40902	AD 44745/X4	2403 257 54705
AD 4072/X15	2403 257 24207	AD 44745/X8	2403 257 54706
AD 4072/X25	2403 257 24208	AD 44900/P15M	2422 257 44307
AD 4072/X4	2403 257 24205	AD 44900/P4M	2422 257 44305
AD 4072/X8	2403 257 24206	AD 44900/P8M	2422 257 44306
AD 40725/X15	2403 257 54207	AD 44900/W4	2422 257 44205
AD 40725/X25	2403 257 54208	AD 44900/W8	2422 257 44206
AD 40725/X4	2403 257 54205	AD 44900/X15	2422 257 44203
AD 40725/X8	2403 257 54206	AD 44900/X4	2422 257 44201
AD 4074/X15	2403 257 54807	AD 44900/X8	2422 257 44202
AD 4074/X25	2403 257 54808	AD 46420/X4	2422 257 20213
AD 4074/X4	2403 257 54805	AD 46905/X4SA	2422 257 20601
AD 4074/X8	2403 257 54806	AD 50410/M4K	2404 257 45311
AD 40743/X15	2403 257 24407	AD 50600/SQ4	2422 257 45001
AD 40743/X25	2403 257 24408	AD 50600/SQ8	2422 257 45002
AD 40743/X4	2403 257 24405	AD 50800/M4	2422 257 25105
AD 40743/X8	2403 257 24406	AD 50800/M8	2422 257 25106
AD 40743/X15A	2403 257 54407	AD 51400/M4	2422 257 35812
AD 40743/X25A	2403 257 54408	AD 51410/M4K	2422 257 45501
AD 40743/X4A	2403 257 54405	AD 51900/W8M	2422 257 35918
AD 40743/X8A	2403 257 54406	AD 70604/W4	2422 257 47113
AD 40745/X15	2403 257 54307	AD 70604/W8	2422 257 47114
AD 40745/X25	2403 257 54308	AD 70631/M4	2422 257 47106
AD 40745/X4	2403 257 54305	AD 70631/M8	2422 257 47107
AD 40745/X8	2403 257 54306	AD 70654/W4	2422 257 47215
AD 44400/M4K	2422 257 44101	AD 70654/W8	2422 257 47216
AD 4472/X15	2403 257 24807	AD 70800/M4	2422 257 47405
AD 4472/X25	2403 257 24808	AD 70800/M8	2422 257 47406
AD 4472/X4	2403 257 24805	AD 70803/W8	2422 257 27808
AD 4472/X8	2403 257 24806	AD 70845/M4	2422 257 47805
AD 44725/X15	2403 257 54807	AD 70845/M8	2422 257 47806
AD 44725/X25	2403 257 54808	AD 70845/X4	2422 257 47804

**CONVERSION LIST****TYPE NUMBER TO 12 NC**

Type	12 NC	Type	12 NC
AD 70845/X8	2422 257 47808	WD 35727/X25	2403 251 50704
AD 80622/W4	2422 257 48403	WD 35727/X4	2403 251 50701
AD 80622/W8	2422 257 48404	WD 35727/X8	2403 251 50702
AD 80623/W4	2422 257 48405	WD 35740/X15	2403 251 50203
AD 80626/W4	2422 257 48203	WD 35740/X25	2403 251 50204
AD 80626/W8	2422 257 48204	WD 35740/X4	2403 251 50201
AD 80627/W4	2422 257 48407	WD 35740/X8	2403 251 50202
AD 80652/W4	2422 257 48511	WD 35741/X15	2403 251 51303
AD 80652/W8	2422 257 48512	WD 35741/X25	2403 251 51304
AD 80800/M4	2422 257 38705	WD 35741/X4	2403 251 51301
AD 80800/M8	2422 257 38706	WD 35741/X8	2403 251 51302
AD 80800/P4	2422 257 38715	WD 35742/X15	2403 251 50303
AD 80800/P8	2422 257 38716	WD 35742/X25	2403 251 50304
WD 01621/Y4L	2403 255 21001	WD 35742/X4	2403 251 50301
WD 01621/Y8L	2403 255 21002	WD 35742/X8	2403 251 50302
WD 01621/Y15L	2403 255 21003	WD 35745/X15	2403 251 50803
WD 01621/Y25L	2403 255 21004	WD 35745/X25	2403 251 50804
WD 01621/Y50L	2403 255 21005	WD 35745/X4	2403 251 50801
WD 01621/Y110L	2403 255 21006	WD 35745/X8	2403 251 50802
WD 01621/Y150L	2403 255 21007	WD 35746/X15	2403 251 51603
WD 20621/Y4L	2403 255 31001	WD 35746/X25	2403 251 51604
WD 20621/Y8L	2403 255 31002	WD 35746/X4	2403 251 51601
WD 20621/Y15L	2403 255 31003	WD 35746/X8	2403 251 51602
WD 20621/Y25L	2403 255 31004	WD 35747/X15	2403 251 50903
WD 20621/Y50L	2403 255 31005	WD 35747/X25	2403 251 50904
WD 20621/Y110L	2403 255 31006	WD 35747/X4	2403 251 50901
WD 20621/Y150L	2403 255 31007	WD 35747/X8	2403 251 50902
WD 35720/X15	2403 251 50003	WD 35760/X15	2403 251 50403
WD 35720/X25	2403 251 50004	WD 35760/X25	2403 251 50404
WD 35720/X4	2403 251 50001	WD 35760/X4	2403 251 50401
WD 35720/X8	2403 251 50002	WD 35760/X8	2403 251 50402
WD 35721/X15	2403 251 51203	WD 35761/X15	2403 251 51403
WD 35721/X25	2403 251 51204	WD 35761/X25	2403 251 51404
WD 35721/X4	2403 251 51201	WD 35761/X4	2403 251 51401
WD 35721/X8	2403 251 51202	WD 35761/X8	2403 251 51402
WD 35722/X15	2403 251 50103	WD 35762/X15	2403 251 50503
WD 35722/X25	2403 251 50104	WD 35762/X25	2403 251 50504
WD 35722/X4	2403 251 50101	WD 35762/X4	2403 251 50501
WD 35722/X8	2403 251 50102	WD 35762/X8	2403 251 50502
WD 35725/X15	2403 251 50603	WD 35765/X15	2403 251 51003
WD 35725/X25	2403 251 50604	WD 35765/X25	2403 251 51004
WD 35725/X4	2403 251 50601	WD 35765/X4	2403 251 51001
WD 35725/X8	2403 251 50602	WD 35765/X8	2403 251 51002
WD 35726/X15	2403 251 51503	WD 35766/X15	2403 251 51703
WD 35726/X25	2403 251 51504	WD 35766/X25	2403 251 51704
WD 35726/X4	2403 251 51501	WD 35766/X4	2403 251 51701
WD 35726/X8	2403 251 51502	WD 35766/X8	2403 251 51702
WD 35727/X15	2403 251 50703	WD 35767/X15	2403 251 51103

**CONVERSION LIST****TYPE NUMBER TO 12 NC**

Type	12 NC	Type	12 NC
WD 35767/X25	2403 251 51104	WD 36767/X25	2403 251 61104
WD 35767/X4	2403 251 51101	WD 36767/X4	2403 251 61101
WD 35767/X8	2403 251 51102	WD 36767/X8	2403 251 61102
WD 36720/X15	2403 251 60003	WD 36925/X15	2403 253 60603
WD 36720/X25	2403 251 60004	WD 36925/X25	2403 253 60604
WD 36720/X4	2403 251 60001	WD 36925/X4	2403 253 60601
WD 36720/X8	2403 251 60002	WD 36925/X8	2403 253 60602
WD 36722/X15	2403 251 60103	WD 36927/X15	2403 253 60703
WD 36722/X25	2403 251 60104	WD 36927/X25	2403 253 60704
WD 36722/X4	2403 251 60101	WD 36927/X4	2403 253 60701
WD 36722/X8	2403 251 60102	WD 36927/X8	2403 253 60702
WD 36725/X15	2403 251 60603	WD 36945/X15	2403 253 60803
WD 36725/X25	2403 251 60604	WD 36945/X25	2403 253 60804
WD 36725/X4	2403 251 60601	WD 36945/X4	2403 253 60801
WD 36725/X8	2403 251 60602	WD 36945/X8	2403 253 60802
WD 36727/X15	2403 251 60703	WD 36947/X15	2403 253 60903
WD 36727/X25	2403 251 60704	WD 36947/X25	2403 253 60904
WD 36727/X4	2403 251 60701	WD 36947/X4	2403 253 60901
WD 36727/X8	2403 251 60702	WD 36947/X8	2403 253 60902
WD 36740/X15	2403 251 60203	WD 36965/X15	2403 253 61003
WD 36740/X25	2403 251 60204	WD 36965/X25	2403 253 61004
WD 36740/X4	2403 251 60201	WD 36965/X4	2403 253 61001
WD 36740/X8	2403 251 60202	WD 36965/X8	2403 253 61002
WD 36742/X15	2403 251 60303	WD 36967/X15	2403 253 61103
WD 36742/X25	2403 251 60304	WD 36967/X25	2403 253 61104
WD 36742/X4	2403 251 60301	WD 36967/X4	2403 253 61101
WD 36742/X8	2403 251 60302	WD 36967/X8	2403 253 61102
WD 36745/X15	2403 251 60803	WD 40925/X15	2403 253 00603
WD 36745/X25	2403 251 60804	WD 40925/X25	2403 253 00604
WD 36745/X4	2403 251 60801	WD 40925/X4	2403 253 00601
WD 36745/X8	2403 251 60802	WD 40925/X8	2403 253 00602
WD 36747/X15	2403 251 60903	WD 40945/X15	2403 253 00803
WD 36747/X25	2403 251 60904	WD 40945/X25	2403 253 00804
WD 36747/X4	2403 251 60901	WD 40945/X4	2403 253 00801
WD 36747/X8	2403 251 60902	WD 40945/X8	2403 253 00802
WD 36760/X15	2403 251 60403	WD 40965/X15	2403 253 01003
WD 36760/X25	2403 251 60404	WD 40965/X25	2403 253 01004
WD 36760/X4	2403 251 60401	WD 40965/X4	2403 253 01001
WD 36760/X8	2403 251 60402	WD 40965/X8	2403 253 01002
WD 36762/X15	2403 251 60503	WD 44925/X15	2403 253 00703
WD 36762/X25	2403 251 60504	WD 44925/X25	2403 253 00704
WD 36762/X4	2403 251 60501	WD 44925/X4	2403 253 00701
WD 36762/X8	2403 251 60502	WD 44925/X8	2403 253 00702
WD 36765/X15	2403 251 61003	WD 44945/X15	2403 253 00903
WD 36765/X25	2403 251 61004	WD 44945/X25	2403 253 00904
WD 36765/X4	2403 251 61001	WD 44945/X4	2403 253 00901
WD 36765/X8	2403 251 61002	WD 44945/X8	2403 253 00902
WD 36767/X15	2403 251 61103	WD 44965/X15	2403 253 01103

**CONVERSION LIST****TYPE NUMBER TO 12 NC**

Type	12 NC	Type	12 NC
WD 44965/X25	2403 253 01104	WD 46747/X25	2403 251 80904
WD 44965/X4	2403 253 01001	WD 46747/X4	2403 251 80901
WD 44965/X8	2403 253 01002	WD 46747/X8	2403 251 80902
WD 46720/X15	2403 251 80003	WD 46760/X15	2403 251 80403
WD 46720/X25	2403 251 80004	WD 46760/X25	2403 251 80404
WD 46720/X4	2403 251 80001	WD 46760/X4	2403 251 80401
WD 46720/X8	2403 251 80002	WD 46760/X8	2403 251 80402
WD 46721/X15	2403 251 81203	WD 46761/X15	2403 251 81403
WD 46721/X25	2403 251 81204	WD 46761/X25	2403 251 81404
WD 46721/X4	2403 251 81201	WD 46761/X4	2403 251 81401
WD 46721/X8	2403 251 81202	WD 46761/X8	2403 251 81402
WD 46722/X15	2403 251 80103	WD 46762/X15	2403 251 80503
WD 46722/X25	2403 251 80104	WD 46762/X25	2403 251 80504
WD 46722/X4	2403 251 80101	WD 46762/X4	2403 251 80501
WD 46722/X8	2403 251 80102	WD 46762/X8	2403 251 80502
WD 46725/X15	2403 251 80603	WD 46765/X15	2403 251 81003
WD 46725/X25	2403 251 80604	WD 46765/X25	2403 251 81004
WD 46725/X4	2403 251 80601	WD 46765/X4	2403 251 81001
WD 46725/X8	2403 251 80602	WD 46765/X8	2403 251 81002
WD 46726/X15	2403 251 81503	WD 46766/X15	2403 251 81703
WD 46726/X25	2403 251 81504	WD 46766/X25	2403 251 81704
WD 46726/X4	2403 251 81501	WD 46766/X4	2403 251 81701
WD 46726/X8	2403 251 81502	WD 46766/X8	2403 251 81702
WD 46727/X15	2403 251 80703	WD 46767/X15	2403 251 81103
WD 46727/X25	2403 251 80704	WD 46767/X25	2403 251 81104
WD 46727/X4	2403 251 80701	WD 46767/X4	2403 251 81101
WD 46727/X8	2403 251 80702	WD 46767/X8	2403 251 81102
WD 46740/X15	2403 251 80203	WD 46925/X15	2403 253 80603
WD 46740/X25	2403 251 80204	WD 46925/X25	2403 253 80604
WD 46740/X4	2403 251 80201	WD 46925/X4	2403 253 80601
WD 46740/X8	2403 251 80202	WD 46925/X8	2403 253 80602
WD 46741/X15	2403 251 81303	WD 46926/X15	2403 253 81503
WD 46741/X25	2403 251 81304	WD 46926/X25	2403 253 81504
WD 46741/X4	2403 251 81301	WD 46926/X4	2403 253 81501
WD 46741/X8	2403 251 81302	WD 46926/X8	2403 253 81502
WD 46742/X15	2403 251 80303	WD 46927/X15	2403 253 80703
WD 46742/X25	2403 251 80304	WD 46927/X25	2403 253 80704
WD 46742/X4	2403 251 80301	WD 46927/X4	2403 253 80701
WD 46742/X8	2403 251 80302	WD 46927/X8	2403 253 80702
WD 46745/X15	2403 251 80803	WD 46945/X15	2403 253 80803
WD 46745/X25	2403 251 80804	WD 46945/X25	2403 253 80804
WD 46745/X4	2403 251 80801	WD 46945/X4	2403 253 80801
WD 46745/X8	2403 251 80802	WD 46945/X8	2403 253 80802
WD 46746/X15	2403 251 81603	WD 46946/X15	2403 253 81603
WD 46746/X25	2403 251 81604	WD 46946/X25	2403 253 81604
WD 46746/X4	2403 251 81601	WD 46946/X4	2403 253 81601
WD 46746/X8	2403 251 81602	WD 46946/X8	2403 253 81602
WD 46747/X15	2403 251 80903	WD 46947/X15	2403 253 80903

**CONVERSION LIST****TYPE NUMBER TO 12 NC**

Type	12 NC	Type	12 NC
WD 46947/X25	2403 253 80904	WD 50965/X25	2403 253 11004
WD 46947/X4	2403 253 80901	WD 50965/X4	2403 253 11001
WD 46947/X8	2403 253 80902	WD 50965/X8	2403 253 11002
WD 46965/X15	2403 253 81003	WD 51921/M4W	2403 253 11301
WD 46965/X25	2403 253 81004	WD 55720/X15	2403 251 10103
WD 46965/X4	2403 253 81001	WD 55720/X25	2403 251 10104
WD 46965/X8	2403 253 81002	WD 55720/X4	2403 251 10101
WD 46966/X15	2403 253 81703	WD 55720/X8	2403 251 10102
WD 46966/X25	2403 253 81704	WD 55725/X15	2403 251 10703
WD 46966/X4	2403 253 81701	WD 55725/X25	2403 251 10704
WD 46966/X8	2403 253 81702	WD 55725/X4	2403 251 10701
WD 46967/X15	2403 253 81103	WD 55725/X8	2403 251 10702
WD 46967/X25	2403 253 81104	WD 55740/X15	2403 251 10303
WD 46967/X4	2403 253 81101	WD 55740/X25	2403 251 10304
WD 46967/X8	2403 253 81102	WD 55740/X4	2403 251 10301
WD 50720/X15	2403 251 10003	WD 55740/X8	2403 251 10302
WD 50720/X25	2403 251 10004	WD 55745/X15	2403 251 10903
WD 50720/X4	2403 251 10001	WD 55745/X25	2403 251 10904
WD 50720/X8	2403 251 10002	WD 55745/X4	2403 251 10901
WD 50725/X15	2403 251 10603	WD 55745/X8	2403 251 10902
WD 50725/X25	2403 251 10604	WD 55760/X15	2403 251 10503
WD 50725/X4	2403 251 10601	WD 55760/X25	2403 251 10504
WD 50725/X8	2403 251 10602	WD 55760/X4	2403 251 10501
WD 50740/X15	2403 251 10203	WD 55760/X8	2403 251 10502
WD 50740/X25	2403 251 10204	WD 55765/X15	2403 251 11103
WD 50740/X4	2403 251 10201	WD 55765/X25	2403 251 11104
WD 50740/X8	2403 251 10202	WD 55765/X4	2403 251 11101
WD 50745/X15	2403 251 10803	WD 55765/X8	2403 251 11102
WD 50745/X25	2403 251 10804	WD 55925/M4W	2403 253 11501
WD 50745/X4	2403 251 10801	WD 55925/X15	2403 253 10703
WD 50745/X8	2403 251 10802	WD 55925/X25	2403 253 10704
WD 50760/X15	2403 251 10403	WD 55925/X4	2403 253 10701
WD 50760/X25	2403 251 10404	WD 55925/X4W	2403 253 11401
WD 50760/X4	2403 251 10401	WD 55925/X8	2403 253 10702
WD 50760/X8	2403 251 10402	WD 55945/X15	2403 253 10903
WD 50765/X15	2403 251 11003	WD 55945/X25	2403 253 10904
WD 50765/X25	2403 251 11004	WD 55945/X4	2403 253 10901
WD 50765/X4	2403 251 11001	WD 55945/X8	2403 253 10902
WD 50765/X8	2403 251 11002	WD 55965/X15	2403 253 11103
WD 50925/X15	2403 253 10603	WD 55965/X25	2403 253 11104
WD 50925/X25	2403 253 10604	WD 55965/X4	2403 253 11101
WD 50925/X4	2403 253 10601	WD 55965/X8	2403 253 11102
WD 50925/X8	2403 253 10602	WD 70925/X15	2403 253 20603
WD 50945/X15	2403 253 10803	WD 70925/X25	2403 253 20604
WD 50945/X25	2403 253 10804	WD 70925/X4	2403 253 20601
WD 50945/X4	2403 253 10801	WD 70925/X8	2403 253 20602
WD 50945/X8	2403 253 10802	WD 70945/X15	2403 253 20803
WD 50965/X15	2403 253 11003	WD 70945/X25	2403 253 20804

**CONVERSION LIST****TYPE NUMBER TO 12 NC**

Type	12 NC
WD 70945/X4	2403 253 20801
WD 70945/X8	2403 253 20802
WD 70965/X15	2403 253 21003
WD 70965/X25	2403 253 21004
WD 70965/X4	2403 253 21001
WD 70965/X8	2403 253 21002
WD 71926/X15	2403 253 21503
WD 71926/X25	2403 253 21504
WD 71926/X4	2403 253 21501
WD 71926/X8	2403 253 21502
WD 71946/X15	2403 253 21603
WD 71946/X25	2403 253 21604
WD 71946/X4	2403 253 21601
WD 71946/X8	2403 253 21602
WD 71966/X15	2403 253 21703
WD 71966/X25	2403 253 21704
WD 71966/X4	2403 253 21701
WD 71966/X8	2403 253 21702
WD 77725/X15	2403 251 20703
WD 77725/X25	2403 251 20704
WD 77725/X4	2403 251 20701
WD 77725/X8	2403 251 20702
WD 77745/X15	2403 251 20903
WD 77745/X25	2403 251 20904
WD 77745/X4	2403 251 20901
WD 77745/X8	2403 251 20902
WD 77765/X15	2403 251 21103
WD 77765/X25	2403 251 21104
WD 77765/X4	2403 251 21101
WD 77765/X8	2403 251 21102
WD 77925/X15	2403 253 20703
WD 77925/X25	2403 253 20704
WD 77925/X4	2403 253 20701
WD 77925/X8	2403 253 20702
WD 77945/X15	2403 253 20903
WD 77945/X25	2403 253 20904
WD 77945/X4	2403 253 20901
WD 77945/X8	2403 253 20902
WD 77965/X15	2403 253 21103
WD 77965/X25	2403 253 21104
WD 77965/X4	2403 253 21101
WD 77965/X8	2403 253 21102

DATA HANDBOOK SYSTEM

# DATA HANDBOOK SYSTEM

Our Data Handbook System comprises more than 60 books with specifications on electronic components, subassemblies and materials. It is made up of six series of handbooks:

INTEGRATED CIRCUITS

DISCRETE SEMICONDUCTORS

DISPLAY COMPONENTS

PASSIVE COMPONENTS\*

PROFESSIONAL COMPONENTS\*\*

MATERIALS\*

The contents of each series are listed on pages iii to viii.

The data handbooks contain all pertinent data available at the time of publication, and each is revised and reissued periodically.

When ratings or specifications differ from those published in the preceding edition they are indicated with arrows in the page margin. Where application is given it is advisory and does not form part of the product specification.

Condensed data on the preferred products of Philips Components is given in our Preferred Type Range catalogue (issued annually).

Information on current Data Handbooks and how to obtain a subscription for future issues is available from any of the Organizations listed on the back cover.

Product specialists are at your service and enquiries will be answered promptly.

\* Will replace the Components and materials (green) series of handbooks.

\*\* Will replace the Electron tubes (blue) series of handbooks.



# INTEGRATED CIRCUITS

This series of handbooks comprises:

code	handbook title
IC01	<b>Radio, audio and associated systems</b> Bipolar, MOS
IC02a/b	<b>Video and associated systems</b> Bipolar, MOS
IC03	<b>ICs for Telecom</b> Bipolar, MOS Subscriber sets, Cordless Telephones
IC04	<b>HE4000B logic family</b> CMOS
IC05	<b>Advanced Low-power Schottky (ALS) Logic Series</b>
IC06	<b>High-speed CMOS; PC74HC/HCT/HCU</b> Logic family
IC07	<b>Advanced CMOS logic (ACL)</b>
IC08	<b>ECL 10K and 100K logic families</b>
IC09	<b>TTL logic series</b>
IC10	<b>Memories</b> MOS, TTL, ECL
IC11	<b>Linear Products</b>
IC12	<b>I<sup>2</sup>C-bus compatible ICs</b>
IC13	<b>Semi-custom</b> Programmable Logic Devices (PLD)
IC14	<b>Microcontrollers</b> NMOS, CMOS
IC15	<b>FAST TTL logic series</b>
IC16	<b>CMOS integrated circuits for clocks and watches</b>
IC17	<b>ICs for Telecom</b> Bipolar, MOS Radio pagers Mobile telephones ISDN
IC18	<b>Microprocessors and peripherals</b>
IC19	<b>Data communication products</b>

## DISCRETE SEMICONDUCTORS

This series of data handbooks comprises:

current code	new code	handbook title
S1	SC01	<b>Diodes</b> High-voltage tripler units
S2a	SC02	<b>Power diodes</b>
S2b	SC03	<b>Thyristors and triacs</b>
S3	SC04	<b>Small-signal transistors</b>
S4a	SC05	<b>Low-frequency power transistors and hybrid IC power modules</b>
S4b	SC06	<b>High-voltage and switching power transistors</b>
S5	SC07	<b>Small-signal field-effect transistors</b>
S6	SC08	<b>RF power transistors</b>
	SC09	<b>RF power modules</b>
S7	SC10	<b>Surface mounted semiconductors</b>
S8a	SC11*	<b>Light emitting diodes</b>
S8b	SC12	<b>Optocouplers</b>
S9	SC13*	<b>PowerMOS transistors</b>
S10	SC14	<b>Wideband transistors and wideband hybrid IC modules</b>
S11	SC15	<b>Microwave transistors</b>
S15**	SC16	<b>Laser diodes</b>
S13	SC17	<b>Semiconductor sensors</b>
S14	SC18*	<b>Liquid crystal displays and driver ICs for LCDs</b>

\* Not yet issued with the new code in this series of handbooks.

\*\* New handbook in this series; will be issued shortly.

## DISPLAY COMPONENTS

This series of data handbooks comprises:

current code	new code	handbook title
T8	DC01	Colour display components
T16	DC02	Monochrome monitor tubes and deflection units
C2	DC03	Television tuners, coaxial aerial input assemblies
C3	DC04	Loudspeakers
C20	DC05	Flyback transformers, mains transformers and general-purpose FXC assemblies

\* These handbooks are currently issued in another series; they are not yet issued in the Display Components series of handbooks.

## PASSIVE COMPONENTS

This series of data handbooks comprises:

current code	new code	handbook title
C14	PA01	Electrolytic capacitors; solid and non-solid
C11	PA02	Varistors, thermistors and sensors
C12	PA03	Potentiometers and switches
C7	PA04	Variable capacitors
C22	PA05*	Film capacitors
C15	PA06*	Ceramic capacitors
C9	PA07*	Piezoelectric quartz devices
C13	PA08	Fixed resistors

\* Not yet issued with the new code in this series of handbooks.

## PROFESSIONAL COMPONENTS

This series of data handbooks comprises:

current code	new code	handbook title
T1	*	Power tubes for RF heating and communications
T2a	*	Transmitting tubes for communications, glass types
T2b	*	Transmitting tubes for communications, ceramic types
T3	PC01	High-power klystrons and accessories
T4	*	Magnetrons for microwave heating
T5	PC02**	Cathode-ray tubes
T6	PC03**	Geiger-Müller tubes
T9	PC04	Photomultipliers
T10	PC05	Plumbicon camera tubes and accessories
T11	PC06	Circulators and Isolators
T12	PC07	Vidicon and Newvicon camera tubes and deflection units
T13	PC08	Image intensifiers
T15	PC09	Dry-reed switches
C8	PC10	Variable mains transformers; annular fixed transformers
	PC11	Solid state image sensors and peripheral integrated circuits
T9	PC12**	Electronmultipliers

\* These handbooks will not be reissued.

\*\* Not yet issued with the new code in this series of handbooks.

## MATERIALS

This series of data handbooks comprises:

current code	new code	handbook title
C4 } C5 }	MA01*	Soft Ferrites
C16	MA02**	Permanent magnet materials
C19	MA03**	Piezoelectric ceramics

\* Handbooks C4 and C5 will be reissued as one handbook having the new code MA01.

\*\* Not yet issued with the new code in this series of handbooks.



# Philips Components – a worldwide company

**Argentina:** PHILIPS ARGENTINA S.A., Div. Philips Components, Vedia 3892, 1430 BUENOS AIRES, Tel. (01)541-4261.

**Australia:** PHILIPS COMPONENTS PTY Ltd, 11 Waltham Street, ARTARMON, N.S.W. 2064, Tel. (02)439.3322.

**Austria:** ÖSTERREICHISCHE PHILIPS INDUSTRIE G.m.b.H., UB Bauelemente, Inrester Str. 64, 1101 WIEN, Tel. (0222)60 101-820.

**Belgium:** N.V PHILIPS PROF. SYSTEMS – Components Div., 80 Rue Des Deux Gares, B-1070 BRUXELLES, Tel. (02)52 56 111.

**Brazil:** PHILIPS COMPONENTS (Active Devices) Av. das Nacoes Unidas, 12495-SAO PAULO-SP, CEP 04578, P.O. Box 7383, Tel. (011)534-2211.

PHILIPS COMPONENTS (Passive Devices & Materials)  
Av. Francisco Monteiro 702, RIBEIRAO PIRES-SP,  
CEP 09400, Tel. (011)459-8211.

**Canada:** PHILIPS ELECTRONICS LTD., Philips Components, 601 Milner Ave., SCARBOROUGH, Ontario, M1B 1M8, Tel. (416)292-5161.

(IC Products) SIGNETICS CANADA LTD., 1 Eva Road, Suite 411, ETOBICOKE, Ontario, M9C 4Z5, Tel. (416)626-6676.

**Chile:** PHILIPS CHILENA S.A., Av. Santa Maria 0760, SANTIAGO, Tel. (02)77 38 16.

**Colombia:** IPRELENTO LTDA., Carrera 2 No. 56-17, BOGOTA, D.E., P.O. Box 77621, Tel. (01)249 7624.

**Denmark:** PHILIPS COMPONENTS A/S, Prags Boulevard 80, PB1919, DK-2300 COPENHAGEN S, Tel. 01-54 11 33.

**Finland:** PHILIPS COMPONENTS, Sinkkalintie 3, SF-2630 ESPOO, Tel. 358-0-50 261.

**France:** PHILIPS COMPOSANTS, 117 Quai du Président Roosevelt, 92134 ISSY-LES-MOULINEAUX Cedex, Tel. (01)40938000.

**Germany (Fed. Republic):** PHILIPS COMPONENTS UB der Philips G.m.b.H., Valvo Haus, Burchardstrasse 19, D-2 HAMBURG 1, Tel. (040)3296-0.

**Greece:** PHILIPS HELLENIQUE S.A., Components Division, No. 15, 25th March Street, GR 17778 TAVROS, Tel. (01)4894 339/4894 911.

**Hong Kong:** PHILIPS HONG KONG LTD., Components Div., 15/F Philips Ind. Bldg., 24-28 Kung Yip St, KWAI CHUNG, Tel. (0)42 45 121.

**India:** PEICO ELECTRONICS & ELECTRICALS LTD., Components Dept., Shivsagar Estate 'A'Block, P.O. Box 6598, 254-D Dr. Annie Besant Rd., BOMBAY – 400 025, Tel. (022)49 21 500-49 21 515.

**Indonesia:** P.T. PHILIPS-RALIN ELECTRONICS, Components Div., Setiabudi II Building, 6th Fl., Jalan H.R. Rasuna Said (P.O. Box 223/KBY) Kuningan, JAKARTA 12910, Tel. (021)51 79 95.

**Ireland:** PHILIPS ELECTRONICS (IRELAND) LTD., Components Division, Newstead, Clonskeagh, DUBLIN 14, Tel. (01)693355.

**Italy:** PHILIPS S.p.A., Philips Components, Piazza IV Novembre 3, I-20124 MILANO, Tel. (02)6752.1.

**Japan:** PHILIPS JAPAN LTD., Components Division, Philips Bldg 13-37, Kohnan 2-chome, Minato-ku, TOKYO 108, Tel. (03)740-5028.

**Korea (Republic of):** PHILIPS ELECTRONICS (KOREA) LTD., Components Division, Philips House, 260-199 Itaewon-dong, Yongsan-ku, SEOUL, Tel. (02)794-5011.

**Malaysia:** PHILIPS MALAYSIA SDN BHD, Components Div., 3 Jalan SS15/2A SUBANG, 47500 PETALING JAYA, Tel. (03)73 45 511.

**Mexico:** PHILIPS COMPONENTS, Paseo Trunfo de la Republica, No 215 Local 5, Cd Juarez CHI HUA HUA 32340 MEXICO Tel. (18)18-67-01/02.

**Netherlands:** PHILIPS NEDERLAND B.V., Marktgroep Philips Components, Postbus 90050, 5600 PB EINDHOVEN, Tel. (040)793749.

**New Zealand:** PHILIPS NEW ZEALAND LTD., Components Division, 110 Mt. Eden Road, C.P.O. Box 1041, AUCKLAND, Tel. (09)605-914.

**Norway:** NORSK A/S PHILIPS, Philips Components, Box 1, Manglerud 0612, OSLO, Tel. (02)68 02 00.

**Pakistan:** PHILIPS ELECTRICAL CO. OF PAKISTAN LTD., Philips Markaz, M.A. Jinnah Rd., KARACHI-3, Tel. (021)72 57 72.

**Peru:** CADESA, Carretera Central 6.500, LIMA 3, Apartado 5612, Tel. 51-14-35 00 59.

**Philippines:** PHILIPS INDUSTRIAL DEV. INC., 2246 Pasong Tamo, P.O. Box 911, Makati Comm. Centre, MAKATI-RIZAL 3116, Tel. (02)868951 to 59.

**Portugal:** PHILIPS PORTUGUESA S.A.R.L., Av. Eng. Duarte Pacheco 6, 1009 LISBOA Codex, Tel. (019)68 31 21.

**Singapore:** PHILIPS SINGAPORE, PTE LTD., Components Div., Lorong 1, Toa Payoh, SINGAPORE 1231, Tel. 35 02 00 00.

**South Africa:** S.A. PHILIPS PTY LTD., Components Division, JOHANNESBURG 2000, P.O. Box 7430.

**Spain:** PHILIPS COMPONENTS, Balmes 22, 08007 BARCELONA, Tel. (03)301 63 12.

**Sweden:** PHILIPS COMPONENTS, A.B., Tegeluddsvägen 1, S-11584 STOCKHOLM, Tel. (0)8-78 21 000.

**Switzerland:** PHILIPS A.G., Components Dept., Allmendstrasse 140-142, CH-8027 ZÜRICH, Tel. (01)488 22 11.

**Taiwan:** PHILIPS TAIWAN LTD., 581 Min Sheng East Road, P.O. Box 22978, TAIPEI 10446, Taiwan, Tel. 886-2-5005899.

**Thailand:** PHILIPS ELECTRICAL CO. OF THAILAND LTD., 283 Silom Road, P.O. Box 961, BANGKOK, Tel. (02)233-6330-9.

**Turkey:** TÜRK PHILIPS TICARET A.S., Philips Components, Talatpasa Cad. No. 5, 80640 LEVENT/ISTANBUL, Tel. (01)17927 70.

**United Kingdom:** PHILIPS COMPONENTS LTD., Mullard House, Torrington Place, LONDON WC1E 7HD, Tel. (071)580 6633.

**United States:** (Colour picture tubes – Monochrome & Colour Display Tubes) PHILIPS DISPLAY COMPONENTS COMPANY, 1600 Huron Parkway, P.O. Box 963, ANN ARBOR, Michigan 48106, Tel. 313/996-9400.

(IC Products) SIGNETICS CORPORATION, 811 East Arques Avenue, SUNNYVALE, CA 94088-3409, Tel. (408)991-2000. (Passive Components, Discrete Semiconductors, Materials and Professional Components) PHILIPS COMPONENTS, Discrete Products Division, 2001 West Blue Heron Blvd., P.O. Box 10330, RIVIERA BEACH, Florida 33404, Tel. (407)881-3200.

**Uruguay:** PHILIPS COMPONENTS, Coronel Mora 433, MONTEVIDEO, Tel. (02)70-4044.

**Venezuela:** MAGNETICA S.A., Calle 6, Ed. Las Tres Jotas, CARACAS 1074A, App. Post. 78117, Tel. (02)241 75 09.

**Zimbabwe:** PHILIPS ELECTRICAL (PVT) LTD., 62 Mutare Road, HARARE, P.O. Box 994, Tel. 47211.

**For all other countries apply to:** Philips Components Division, Strategic Accounts and International Sales, P.O. Box 218, 5600 MD EINDHOVEN, The Netherlands, Telex 35000 phtcrl, Fax. +31-40-723753

AS81

© Philips Export B.V. 1990

All rights are reserved. Reproduction in whole or in part is prohibited without the prior written consent of the copyright owner.

The information presented in this document does not form part of any quotation or contract, is believed to be accurate and reliable and may be changed without notice. No liability will be accepted by the publisher for any consequence of its use. Publication thereof does not convey nor imply any license under patent- or other industrial or intellectual property rights.

Printed in The Netherlands

9398 162 60011

## Philips Components



# PHILIPS